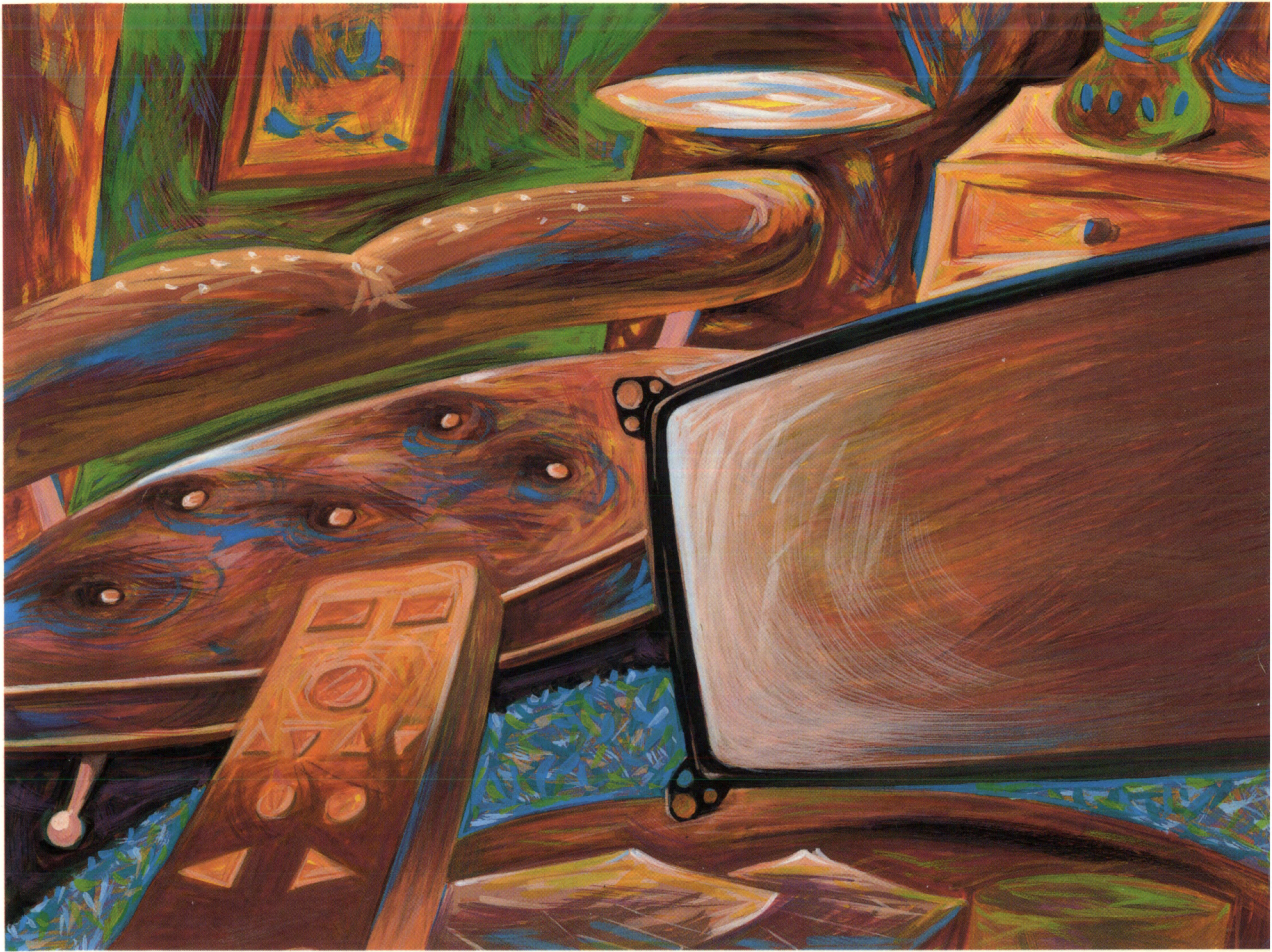


Colour Television Tubes



1998

Data Handbook DC01

QUALITY ASSURED

Our quality system focuses on the continuing high quality of our components and the best possible service for our customers. We have a three-sided quality strategy: we apply a system of total quality control and assurance; we operate customer-oriented dynamic improvement programmes; and we promote a partnering relationship with our customers and suppliers.

PRODUCT SAFETY

In striving for state-of-the-art perfection, we continuously improve components and processes with respect to environmental demands. Our components offer no hazard to the environment in normal use when operated or stored within the limits specified in the data sheet.

Some components unavoidably contain substances that, if exposed by accident or misuse, are potentially hazardous to health. Users of these components are informed of the danger by warning notices in the data sheets supporting the components. Where necessary the warning notices also indicate safety precautions to be taken and disposal instructions to be followed. Obviously users of these components, in general the set-making industry, assume responsibility towards the consumer with respect to safety matters and environmental demands.

All used or obsolete components should be disposed of according to the regulations applying at the disposal location. Depending on the location, electronic components are considered to be 'chemical', 'special' or sometimes 'industrial' waste. Disposal as domestic waste is usually not permitted.

Colour Television Tubes

CONTENTS

	Page
DEFINITIONS	2
GENERAL	3
COLOUR TV PICTURE TUBES AND ASSEMBLIES	31
DATA HANDBOOK SYSTEM	571

DEFINITIONS

Data sheet status	
Objective specification	This data sheet contains target or goal specifications for product development.
Preliminary specification	This data sheet contains preliminary data; supplementary data may be published later.
Product specification	This data sheet contains final product specifications.
Limiting values	
Limiting values given are in accordance with the Absolute Maximum Rating System (IEC 134). Stress above one or more of the limiting values may cause permanent damage to the device. These are stress ratings only and operation of the device at these or at any other conditions above those given in the Characteristics sections of the specification is not implied. Exposure to limiting values for extended periods may affect device reliability.	

LIFE SUPPORT APPLICATIONS

These products are not designed for use in life support appliances, devices, or systems where malfunction of these products can reasonably be expected to result in personal injury. Philips customers using or selling these products for use in such applications do so at their own risk and agree to fully indemnify Philips for any damages resulting from such improper use or sale.

CONTENTS

	Page
List of symbols	4
General operational recommendations	5
Recommandations générales d'emploi	10
Richtlinien zum Betrieb von Bildröhren	15
General safety recommendations	21
Recommandations générales de sécurité	23
Allgemeine Sicherheitshinweise	25
Type designation	28
Kelly chart	29

List of symbols

General

LIST OF SYMBOLS

SYMBOL	DESCRIPTION
Symbols denoting electrodes/elements and electrode/element connections	
f	heater
k	cathode
g	grid: grids are distinguished by means of an additional numeral; the electrode nearest to the cathode having the lowest number
a	anode
m	external conductive coating
m'	rimband or tension band (T-band)
i.c.	tube pin which must not be connected externally (internally connected)
n.c.	tube pin which may be connected externally (not connected)
Symbols denoting voltages; note 1	
V	symbol for voltage followed by a subscript denoting the relevant electrode/element
V _f	heater voltage
V _(p-p)	peak-to-peak value of a voltage
V _p	peak value of a voltage
V _{gr}	grid 1 voltage for visual extinction of focused raster (grid drive service)
V _{kr}	cathode voltage for visual extinction of focused raster (cathode drive service)
Symbols denoting currents; note 2	
I	symbol for current followed by a subscript denoting the relevant electrode
I _f	heater current (RMS value)
Symbols denoting powers	
P _l	fluorescent screen dissipation
P _g	grid dissipation
Symbols denoting capacitances	
	see "IEC 100"
Symbols denoting resistances and impedances	
R	Symbol for resistance followed by a subscript for the relevant electrode pair. When only one subscript is given the second electrode is the cathode.
Z	Symbol for impedance followed by a subscript for the relevant electrode pair. When only one subscript is given the second electrode is the cathode.
Symbols denoting various quantities	
L	luminance
f	frequency
H	magnetic field strength

Notes

1. The reference point for electrode voltages is the cathode, unless otherwise stated.
2. The symbols quoted represent the average value of the current, unless otherwise stated.

INTRODUCTION

Equipment design should be based on the characteristics as stated in the data sheets. Where deviations from these general recommendations are permissible or necessary, statements to that effect will be made.

If applications are considered which are not referred to in the data sheets of the relevant tube type, extra care should be taken with circuit design to prevent the tube being overloaded due to unfavourable operating conditions.

SPREAD IN TUBE CHARACTERISTICS

The spread in tube characteristics is the difference between maximum and minimum values. Values not qualified as maximum or minimum are nominal ones. It is evident that average or nominal values, as well as spread figures, may differ according to the number of tubes of a certain type that are being checked. No guarantee is given for values of characteristics in settings substantially differing from those specified in the data sheets.

SPREAD AND VARIATION IN OPERATING CONDITIONS

The operating conditions of a tube are subject to spread and/or variation.

Spread in an operating condition is a **permanent** deviation from an average condition due to, e.g., component value deviations. The average condition is found from such a large population, that further individual cases taken at random will have negligible influence.

Variation in an operating condition is **non-permanent** (occurs as a function of time), e.g., due to supply

voltage fluctuations. The average value is calculated over a long enough period that this value is considered as stable.

LIMITING VALUES

Limiting values are in accordance with the applicable rating system as defined by "IEC 134". Reference may be made to one of the following three rating systems.

Absolute maximum rating system

Absolute maximum ratings are limiting values of operating and environmental conditions applicable to any electronic device of a specified type, as defined by its published data, which should not be exceeded under the worst probable conditions.

These values are chosen by the device manufacturer to provide acceptable serviceability of the device, taking no responsibility for equipment variations, environmental variations, and the effects of changes in operating conditions due to variations in the characteristics of the device under consideration and of all other electronic devices in the equipment.

The equipment manufacturer should design so that, initially and throughout the life of the device, no absolute maximum value for the intended service is exceeded with any device, under the worst probable operating conditions with respect to supply voltage variation, equipment component variation, equipment control adjustment, load variations, signal variation, environmental conditions, and variations in characteristics of the device under consideration and of all other electronic devices in the equipment.

Design maximum rating system

Design maximum ratings are limiting values of operating and environmental conditions applicable to a bogey electronic device⁽¹⁾ of a specified type as defined by its published data, and should not be exceeded under the worst probable conditions.

These values are chosen by the device manufacturer to provide acceptable serviceability of the device, taking responsibility for the effects of changes in operating conditions due to variations in the characteristics of the electronic device under consideration.

The equipment manufacturer should design so that, initially and throughout the life of the device, no design maximum value for the intended service is exceeded with a bogey electronic device, under the worst probable operating conditions with respect to supply voltage variation, equipment component variation, variation in characteristics of all other devices in the equipment, equipment control adjustment, load variation, signal variation and environmental conditions.

(1) A bogey electronic device is a device whose characteristics have the published nominal values for the type. A bogey device for any particular application can be obtained by considering only those characteristics which are directly related to the application.

Design centre rating system

Design centre ratings are limiting values of operating and environmental conditions applicable to a bogey electronic device of a specified type as defined by its published data, and should not be exceeded under normal conditions.

These values are chosen by the device manufacturer to provide acceptable serviceability of the device in average applications, taking responsibility for normal changes in operating conditions due to rated supply voltage variation, equipment component variation, equipment control adjustment, load variation, signal variation, environmental conditions, and variations in the characteristics of all electronic devices.

The equipment manufacturer should design so that, initially, no design centre value for the intended service is exceeded with a bogey electronic device in equipment operating at the stated normal supply voltage.

If the tube data specify limiting values according to more than one rating system the circuit has to be designed so that none of these limiting values is exceeded under the relevant conditions.

The expressions 'long-term' and 'short-term' are used to denote either the maximum time-averaged beam current for one gun to limit the cathode loading, or the maximum time-averaged anode current for three guns to limit the screen loading.

'Short-term' is not related to a specific period of time, but can be interpreted as the condition where the content and intensity of the displayed image vary continuously, as during live television pictures.

'Long-term' means that the image is stationary for an indefinite period of time, as during the display of test pictures, computer images, teletext data or stationary television scenes lasting longer than 30 seconds.

Thermal conditions, like components ratings, heatsinks and cabinet design, should be based on the short-term average rating.

In addition to the limiting values given in the individual data sheets the directives in the following sections should be observed.

HEATER SUPPLY

For maximum cathode life and optimum performance the **operating heater voltage should be approximately 6.15 V**. Any deviation from this value has a detrimental effect on tube performance and life, and should therefore be kept to a minimum. In any case the deviations should be limited to the range of 5.7 to 6.6 V. To limit surges of the heater current during switch-on, a minimum source impedance of 2Ω or a current limitation at maximum 700 mA is recommended. See for detailed information the relevant data sheet.

When the heater supply is an asymmetrical pulse, the heater voltage should be measured with a 'true RMS' meter with a sufficiently high crest factor.

In the past, the recommended heater voltage was always specified at zero beam current. This was because in older power supply designs, the voltage across the cathode would drop under operating conditions to a desirable level (6.15 V).

Today's power supplies however, are more stable so under operating conditions the voltage across the cathode hardly drops and may remain at a level that could be non optimum for the best tube life.

To provide maximum protection for our customers, therefore, we have changed the way we define the recommended heater supply voltage from 6.3 V at zero beam current to 6.15 V under operating conditions. Essentially this is not a change of specification but an attempt to adapt our recommendations to the current state of power supply design and technology.

CATHODE TO HEATER VOLTAGE

The voltage between cathode and heater should be as low as possible and never exceed the limiting values given in the data sheets of the individual tubes. The limiting values relate to that side of the heater where the voltage between cathode and heater is greatest. The voltage between cathode and heater may be DC, AC or a combination of both. Unless otherwise stated, the maximum values quoted indicate the maximum permissible DC voltage.

In order to guarantee good electrical insulation between heater and cathode during lifetime, it is strongly recommended that the cathode is always operated at a potential which is positive with respect to that of the heater.

A DC connection should always be present between heater and cathode. Unless otherwise specified the maximum resistance should not exceed 1 M Ω .

INTERMEDIATE ELECTRODES (BETWEEN CATHODE AND ANODE)

In no circumstances should the tube be operated without a DC connection between each electrode and the cathode.

The total effective impedance between each electrode and the cathode should never exceed the published maximum value. However, no electrode should be connected directly to a high energy source.

When such a connection is required, it should be made via a series resistor of not less than 1 k Ω . The circuit should be designed so that the focus voltage will never exceed the anode voltage during transient conditions.

CUT-OFF VOLTAGE

Curves showing the limits of the cut-off voltage as a function of the grid 2 voltage are generally included in the data. The published limits are determined at an ambient illumination level of 10 lux. Since the brightness of an undeflected spot is greater than that of a raster of the same current, the cut-off voltage determined with the aid of a focused spot will be more negative (by about 5 V) than with that of a focused raster. For optimum performance it is advised to adjust the gun with the highest cut-off voltage to the highest recommended cut-off value as specified in the relevant data sheet.

TUBE OPERATING PRECAUTIONS

To prevent permanent screen damage, care should be taken:

- Not to operate the tube with a stationary picture at high beam currents for extended periods.

- Not to operate the tube with a stationary or slowly moving spot except at extremely low beam currents.
- If no EHT bleeder is used, to choose the time constants of the cathode, grid 1, grid 2 and deflection circuits, such that sufficient beam current is maintained to discharge the EHT capacitance before deflection has ceased after equipment has been switched off.

To prevent stray emissions:

- The anode voltage should be less than 12 kV within 5 seconds of switch-off.

To prevent catastrophic tube failure:

- It is strongly advised to provide the video drive circuitry with a facility which blanks the tube automatically in the event of a deflection failure. This is particularly important in applications where the deflection coil is DC coupled to the vertical output stage, as a short-circuit fault in this circuit may otherwise lead to immediate de-evacuation of the tube (pierced neck).

EXTERNAL CONDUCTIVE COATING

The external conductive coating must be connected to the chassis. The capacitance of this coating to the final accelerating electrode may be used to provide smoothing for the EHT supply.

The coating is not a perfect conductor and in order to reduce electromagnetic radiation caused by the horizontal time base and the picture content it may be necessary to make multiple connections to the coating. See also Chapter "Flashover protection".

METAL RIMBAND

An appreciable capacitance exists between the metal rimb主 and the internal conductive coating of the tube; its value is quoted in the individual data sheets.

Mains isolated chassis

For use of the tube in mains isolated chassis it is advised to connect the rimb主 to the external conductive coatings.

Non-mains isolated chassis

In non-mains isolated chassis, where the rimb主 or connected conductive parts are accessible from outside the cabinet, a resistive DC connection shunted for AC, but suitable for mains separation, should be provided between rimb主 and external conductive coating. The resistor and capacitor (e.g. 2 M Ω shunted with 4.7 nF) must be adequately rated for the voltage transients which occur at flashover.

FLASHOVER PROTECTION

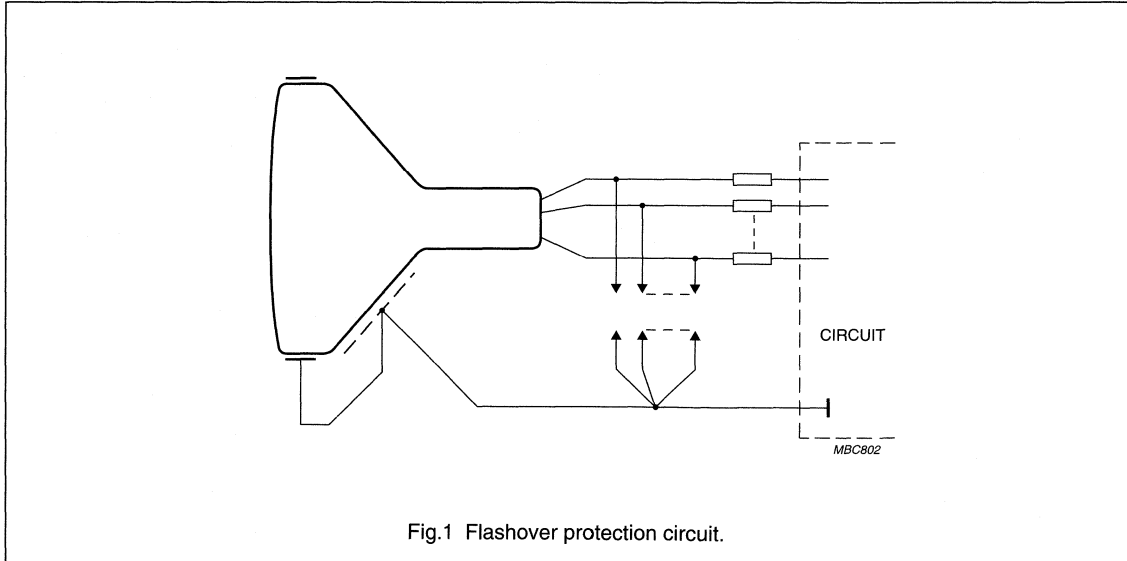
High electric field strengths are present between the gun electrodes of picture tubes. Voltages between gun electrodes may reach values of 20 kV over approximately 1 mm. Although the utmost precautions are taken in the design and manufacture of the tubes, there is always a chance that flashover will occur. The resulting transient currents and voltages may be of sufficient magnitude to cause damage to the tube itself and to various components on the chassis. Arcing terminates when the EHT capacitor is discharged. As our picture tubes are manufactured in Soft-Flash technology, the peak discharge currents are restricted, offering higher set reliability, optimum circuit protection and component savings. Primary protective circuitry

using properly grounded spark gaps and series isolation resistors (preferably carbon composition) is still necessary to prevent tube damage. The spark gaps should be connected to all picture tube electrodes at the socket; they are not required on the heater pins. It is allowed to connect one of the heater pins directly to the chassis ground. Summarizing it is of vital importance to provide protective circuits with spark gaps and series resistors, which should be connected according to Fig.1. No other connections between the outer conductive coating and the chassis are advised, in order to prevent the injection of discharge currents into the circuitry.

To provide adequate protection against tube arcing, the spark gaps should be designed to ignite reliably

under the most adverse condition. Sufficient safety margin should be taken to allow for tolerances on ignition voltage and tube operating voltages. An extra margin is required for operation under low atmospheric pressure at high altitude. As a common design rule the typical ignition voltage at sea level should be approximately 1.7 times the maximum operating voltage. See for detailed information the relevant data sheet.

The values of the series isolation resistors should be as high as possible without causing deterioration of the circuit performance. The resistors should be able to withstand an instantaneous surge of 20 kV for the focus circuit and 12 kV for the remaining circuits without arcing.



General operational recommendations

General

IMPLOSION PROTECTION

All picture tubes employ integral implosion protection and must be replaced with a tube of the same type number or recommended replacement to assure continued safety.

HANDLING

Although all picture tubes are provided with integral implosion protection, which meets the intrinsic protection requirements stipulated in the relevant part of "IEC 65", care should be taken not to scratch or knock any part of the tube. The tube assembly should never be handled by the neck, deflection unit or other neck components.

A picture tube assembly can be lifted from the edge-down position by using the two upper mounting lugs. Under no circumstances suspend the tube assembly from one lug. A vacuum chuck can be used on the screen, with adequate precautions against damage.

When placing a tube assembly face downwards ensure that the screen rests on a soft pad of suitable material, free from abrasive substances.

In all handling procedures prior to insertion in the receiver cabinet there is a risk of personal injury as a result of severe accidental damage to the tube. It is therefore recommended that protective clothing should be worn, particularly eye shielding.

If provided, the slots in the rimband of colour picture tubes are used in the mounting of the degaussing coils. It is **not allowed** to suspend the tube assembly from one or more of these

slots as permanent deformation to the rimband can occur.

Remember when replacing or servicing the tube assembly, that a residual electrical charge may be carried by the anode contact and also the external coating if not earthed. Before removing the tube assembly from the equipment, earth the external coating and rimband and short circuit the anode contact to the coating. The tube should under no circumstances be subjected to accelerations greater than specified in the individual data sheets. Observe any instructions given on the packaging and handle accordingly.

MOUNTING

Unless otherwise specified in the data sheets for individual tubes there are no restrictions on the position of mounting.

The tube socket should not be rigidly mounted but should have flexible leads and be allowed to move freely.

DEGAUSSING

Colour picture tubes employ internal magnetic shielding. To be effective, the system must be properly degaussed by applying a strong alternating magnetic field which gradually and symmetrically decays to a sufficiently low value. The main characteristics of degaussing coils and circuitry for optimal results, are given in the individual data sheets.

Strong magnetic fields possibly existing during transportation of the tubes, and the manufacturing process of the television sets, may induce a residual magnetic field.

This residual field cannot always be removed by the automatic degaussing circuitry of the set. It is therefore strongly recommended to apply an external degaussing field of sufficient magnitude (>1.5 mT) and uniformity on the assembly line, while the TV set is not active. This should be followed by activation of the internal set degaussing, with the set positioned in the same terrestrial orientation as for testing and performance judgement.

LOCAL MAGNETIC FIELDS

Care should be taken to avoid local AC or DC magnetic fields such as loudspeakers, transformers and linearity coils.

SOAK TESTING

To ensure that the operating conditions of the tube are optimized for the long term, a short stabilization period is required, after which the cut-off adjustment should be made and the performance assessed.

It is recommended that the tube should be operated for a minimum period of 30 minutes running time, before it is adjusted to its final operating conditions.

After soak testing, if the tube is switched off for a period of 90 seconds or more, a stabilization period of 15 minutes is required before making final cut-off adjustments and picture assessment. Where the tube is switched off for less than 90 seconds, the required stabilization period required is 10 times the switched-off period.

Recommandations générales d'emploi

General

INTRODUCTION

La conception d'un appareil équipé d'un tube image couleur doit être basée sur les caractéristiques publiées dans les notices techniques. Lorsque certaines de ces recommandations ne sont pas applicables, des indications complémentaires sont données.

Dans le cas d'applications non mentionnées dans les notices techniques du type de tube concerné, des précautions supplémentaires doivent être prises, au moment de la conception des circuits, pour éviter la surcharge du tube due à des conditions de fonctionnement défavorables.

DISPERSION DES CARACTÉRISTIQUES DES TUBES

La dispersion des caractéristiques des tubes est la différence entre les valeurs maximales et minimales. Les valeurs non qualifiées de maximales ou minimales sont des valeurs nominales. Il est évident que les valeurs moyennes ou minimales, ainsi que les dispersions, peuvent varier suivant la grandeur du lot de tubes mesurés. Aucune garantie n'est donnée pour les valeurs de caractéristiques lorsque les conditions d'emploi diffèrent sensiblement de celles qui sont spécifiées dans les notices techniques.

DISPERSIONS ET VARIATIONS DES CONDITIONS DE FONCTIONNEMENT

Les conditions de fonctionnement d'un tube sont sujettes aux dispersions et/ou aux variations.

La **dispersion** des conditions de fonctionnement est un écart **permanent** par rapport à une condition moyenne, dû, par exemple, à des écarts de valeurs des

composants. La condition moyenne est calculée sur un nombre de cas individuels pris au hasard et tel qu'une augmentation de ce nombre n'a pas d'influence significative.

La **variation** d'une condition de fonctionnement est **non permanente** (elle est fonction du temps) et peut être dû, par exemple, à des variations de la tension d'alimentation. La valeur moyenne est calculée sur une période telle qu'une prolongation de cette période n'a pas d'influence significative.

VALEURS LIMITES

Les systèmes de valeurs limites sont ceux recommandés par la "Commission Electrotechnique Internationale (CEI 134)". Il peut être fait référence à l'un des trois systèmes de limites suivantes.

Systèmes des limites absolues

Les valeurs données dans ce système sont les limites concernant les conditions extérieures et les conditions de fonctionnement applicables à tout dispositif électronique d'un type déterminé défini par ses caractéristiques publiées, limites qui ne doivent pas être dépassées dans les pires conditions probables.

Le fabricant détermine ces limites pour obtenir un fonctionnement satisfaisant du dispositif, et n'assume aucune responsabilité en ce qui concerne les variations dues à l'appareil ou aux conditions extérieures ainsi que les effets des modifications de conditions de fonctionnement dues aux dispersions des caractéristiques du dispositif considéré et de tous les autres dispositifs électroniques de l'appareil.

L'utilisateur doit déterminer son appareil pour que, à sa mise en service, comme au cours de sa vie,

aucune valeur limite concernant l'application envisagée ne soit dépassée pour tout dispositif, dans les pires conditions possibles d'utilisation, qui dépendent des variations de tension du réseau d'alimentation, des dispersions des composants de l'appareil, des modifications, des réglages, des variations de charge ou de signal, des conditions extérieures, ainsi que des dispersions des caractéristiques du dispositif considéré et de tous les autres dispositifs électroniques de l'appareil.

Systèmes des limites hybrides

Les valeurs données dans ce système sont les limites concernant les conditions extérieures et les conditions de fonctionnement applicables à un dispositif électronique moyen⁽¹⁾ d'un type déterminé, défini par ses caractéristiques publiées, limites qui ne doivent pas être dépassées dans les pires conditions probables.

Le fabricant détermine ces limites pour obtenir un fonctionnement satisfaisant du dispositif, et tenant compte, sous sa responsabilité, des effets provoqués par des modifications de conditions de fonctionnement dues aux dispersions des caractéristiques du dispositif électronique considéré.

L'utilisateur doit déterminer son appareil pour que, à sa mise en service, comme au cours de sa vie, aucune valeur limite concernant l'application envisagée ne soit dépassée pour un dispositif moyen,

(1) Un tube moyen est un tube dont les caractéristiques ont les valeurs nominales publiées pour le type concerné. Un tube moyen, pour une application déterminée, peut être recherché en ne tenant compte que des caractéristiques directement utiles pour cette application.

dans les pires conditions probables d'utilisation, qui dépendent des variations de tension du réseau d'alimentation, des dispersions des composants et des caractéristiques de tous les autres dispositifs électroniques de l'appareil, des modifications des réglages, des variations de charge ou de signal, et des conditions extérieures.

Systèmes des limites moyennes

Les valeurs données dans ce système sont les limites concernant les conditions extérieures et les conditions de fonctionnement applicables à un dispositif électronique moyen d'un type déterminé défini par les caractéristiques publiées, limites qui ne doivent pas être dépassées dans les conditions normales.

Le fabricant détermine ces limites pour obtenir un fonctionnement satisfaisant du dispositif dans des applications courantes, en tenant compte, sous sa responsabilité, des modifications normales des conditions de fonctionnement dues aux variations admises de la tension du réseau d'alimentation, des dispersions des composants de l'appareil, des modifications des réglages, des variations de charge ou de signal, des conditions extérieures, ainsi que des dispersions des caractéristiques de tous les dispositifs électroniques.

L'utilisateur doit déterminer son appareil pour que, à sa mise en service, aucune valeur limite concernant l'application envisagée ne soit dépassée pour un dispositif électronique moyen dans l'appareil fonctionnant sous la tension normale définie pour l'alimentation.

Si les valeurs limites spécifiées pour le tube appartiennent à plusieurs systèmes de valeurs limites, le circuit

doit être conçu de manière qu'aucune de ces valeurs limites ne soit dépassée dans les conditions applicables.

Les expressions 'long terme' (long-term) et 'court terme' (short-term) sont employées pour indiquer soit le courant de faisceau moyen maximal d'un canon pour limiter la charge de cathode, soit le courant d'anode moyen maximal des trois canons pour limiter la charge d'écran.

'Court terme' ne concerne pas une période spécifique de temps, mais peut s'interpréter comme la condition dans laquelle le contenu et l'intensité de l'image affichée varient de manière continue, comme avec des images de télévision en direct.

'Long terme' signifie que l'image est fixe pendant une période indéterminée de temps, comme pour l'affichage de mires, d'images d'ordinateur, de données de télétexte ou de scènes fixes de télévision durant plus de 30 secondes.

Dans les circuits de TV il est possible de limiter le courant d'anode moyen à la valeur moyenne court terme; lors de la conception thermique il convient donc de prendre en compte cette valeur.

Outre les valeurs limites spécifiées dans les notices techniques de chaque dispositif, les directives données aux paragraphes suivants doivent être observées.

ALIMENTATION DU FILAMENT

Pour obtenir une durée de vie maximale des cathodes et des performances optimales, **la tension de chauffage en fonctionnement doit être approximativement de 6,15 V**. Tout écart par rapport à cette valeur a des effets préjudiciables sur

les performances et la durée de vie du tube, et doit par conséquent être limité au minimum. Dans tous les cas, les écarts doivent être limités à la plage de 5,7 à 6,6 V. Afin de limiter les pointes de courant à l'allumage, il est souhaitable que l'impédance de source du courant de chauffage soit au minimum de 2 Ω ou que le courant soit limité à 700 mA. Pour des informations plus détaillées voir les notices techniques correspondantes.

Si la tension d'alimentation du filament est une impulsion asymétrique, la tension doit être mesurée à l'aide d'un voltmètre mesurant la 'vraie valeur efficace' (true RMS) et ayant un facteur de crête suffisamment élevé.

Autrefois, la tension de chauffage recommandée était toujours spécifiée pour un courant de faisceau zéro car, dans les anciennes alimentations, la tension sur la cathode baisse, dans les conditions de fonctionnement, à un niveau désirable (6.15 V). Les alimentations actuelles sont toutefois plus stables si bien que la tension sur la cathode, dans les conditions de fonctionnement, baisse à peine et peut rester à un niveau qui pourrait ne pas être optimal pour la durée de vie du tube.

Pour pouvoir proposer à nos clients une protection maximale nous avons donc modifié notre manière de définir la tension de chauffage recommandée et ne la donnons plus à 6.3 V pour un courant de faisceau zéro, mais à 6.15 V dans les conditions de fonctionnement. Avant tout, il ne s'agit pas là d'un changement de spécification mais plutôt d'une tentative d'adaptation de nos recommandations à l'état actuel de la technique dans le domaine des alimentations.

TENSION ENTRE CATHODE ET FILAMENT

La tension entre la cathode et le filament doit être aussi réduite que possible et ne jamais dépasser les valeurs limites données dans les notices techniques particulières de chaque tube. Les valeurs limites s'appliquent à l'extrémité du filament ou la tension est la plus élevée. La tension entre cathode et filament peut être continue, alternative ou les deux à la fois. Sauf indication contraire, les valeurs maximales indiquent la tension continue maximale admissible.

Afin d'assurer une bonne isolation électrique entre chauffage et cathode pendant la durée de vie, il est fortement recommandé que les cathodes soient utilisées à un potentiel toujours positif par rapport à celui du chauffage.

Une tension électrique continue doit toujours être appliquée entre le filament et la cathode. Sauf indication contraire, la résistance maximale ne doit pas dépasser 1 M Ω .

ELECTRODES INTERMÉDIAIRES (ENTRE CATHODE ET ANODE)

Le tube ne devra être utilisé en aucune circonstance sans liaison électrique continue entre chacune des électrodes et la cathode. L'impédance effective totale entre chacune des électrodes et la cathode ne doit jamais dépasser la valeur maximale publiée. Aucune électrode ne doit être directement connectée à une source de haute énergie. Si une telle connexion est nécessaire, elle doit être réalisée au moyen d'une résistance série d'au moins 1 k Ω . Le circuit doit être conçu de façon à ce que la tension de focalisation n'excède jamais la tension d'anode durant les périodes transitoires.

TENSION DE BLOCAGE

Les notices techniques contiennent généralement des courbes indiquant les limites de la tension de blocage (cut-off) en fonction de la tension de grille 2. Les limites publiées sont déterminées à un niveau d'éclairement ambiant de 10 Lux. La tension de blocage obtenue à l'aide d'un spot focalisé sera plus négative d'environ 5 V par rapport à celle obtenue à l'aide d'une trame focalisée; ceci parce que la brillance d'un spot non dévié est plus grande que celle d'une trame à même courant. Il est conseillé, pour une performance optimale, d'ajuster le canon ayant la plus haute tension de blocage sur la valeur maximum de la tension de blocage recommandée dans les notices technique correspondantes.

PRÉCAUTIONS D'UTILISATION DU TUBE

Les précautions suivantes doivent être prises pour éviter des dommages permanents de l'écran:

- Ne pas faire fonctionner le tube avec une image fixe à de forts courants de faisceau pendant de longues périodes.
- Ne pas faire fonctionner le tube avec un spot fixe ou se déplaçant lentement, sauf à des courants de faisceau extrêmement faibles.
- Décharger la THT, soit par une résistance (bleeder), soit en choisissant les constantes de temps des circuits de cathodes, de grille 1, de grille 2 et de déviation, de manière à maintenir un courant de faisceau suffisamment élevé, avant que la déviation ne cesse, après l'arrêt de l'appareil.

Pour éviter les 'rayons diffusés' (stray emissions):

- La tension d'anode doit être inférieure à 12 kV dans les 5 secondes suivant l'arrêt.

Pour éviter une détérioration catastrophique de l'écran:

- Il est fortement conseillé de munir le circuit de commande vidéo d'un dispositif qui éteint le tube automatiquement en cas de panne de déviation. Ceci est particulièrement important dans les applications où la bobine de déviation est couplée en courant continu (DC coupled) à l'étage de sortie vertical, car un court-circuit sur cet étage peut provoquer une entrée d'air immédiate dans le tube (col percé).

COUCHE CONDUCTRICE EXTERNE

La couche conductrice externe doit être reliée à la masse du châssis. La capacité entre cette couche et l'anode peut servir à filtrer l'alimentation THT.

La couche n'étant pas un conducteur parfait, il peut être nécessaire d'effectuer cette liaison en plusieurs points afin de réduire le rayonnement électromagnétique de la base de temps de lignes et du contenu d'image.

Voir également "Arcs internes".

CEINTURE MÉTALLIQUE

Une capacité non négligeable existe entre la ceinture métallique et la couche conductrice interne du tube; sa valeur est donnée dans les notices techniques.

Châssis isolé du secteur

Si le tube est utilisé dans un châssis isolé du secteur, il est conseillé de relier la ceinture à la couche conductrice externe.

Châssis non isolé du secteur

Dans le cas de châssis non isolé du secteur, où ceinture ou autres pièces conductrices reliées au châssis sont accessibles depuis l'extérieur du coffret, une liaison - résistive pour le continue court-circuitée pour l'alternatif mais garantissant l'isolement secteur - doit être placée entre la ceinture et la couche externe. La résistance et la capacité (2 M Ω en parallèle sur 4 nF) doivent être capables de supporter les tensions brèves apparaissant durant les arcs internes.

ARCS INTERNES

Des champs électriques élevés existent entre les électrodes des canons des tubes image, ils peuvent atteindre des valeurs de 20 kV par 1 mm environ. Bien que les plus grandes précautions soient prises dans la conception et la fabrication des tubes, il y a toujours un risque d'arcs (flash-over). Les courants et tensions transitoires résultants peuvent être suffisamment élevés pour endommager le tube et les composants associés. L'arc s'éteint lorsque le condensateur THT est déchargé. Dans nos tubes image qui sont fabriqués en technologie 'Soft Flash' les courants crêtes de décharge sont fortement réduits afin d'augmenter la fiabilité des appareils et d'assurer une protection optimale des circuits et des composants. Il est cependant nécessaire, afin d'éviter d'endommager le tube, de prévoir des

circuits de protection comprenant des éclateurs convenablement mis à la masse et des résistances séries d'isolement (au carbone de préférence). Les éclateurs doivent être connectés sur le support à toutes les électrodes du tube, y compris sur les picots du chauffage. Il est permis de connecter directement une des bornes du chauffage à la masse du châssis. En résumé, il est d'une importance vitale d'utiliser des circuits de protection comprenant éclateurs et résistances séries, lesquels doivent être connectés comme la Fig.2. Aucune autre connexion entre la couche conductrice extérieure et le châssis n'est conseillée afin d'éviter l'injection de courants de décharge dans les circuits.

Afin d'assurer la protection adéquate contre les arcs internes les éclateurs doivent être conçus pour un amorçage fiable quelles que soient les conditions les plus défavorables.

Une marge de sécurité suffisante doit être prise pour tenir compte des tolérances sur l'amorçage et sur les tensions de fonctionnement du tube. Une marge supplémentaire est exigée pour un fonctionnement sous la faible pression atmosphérique des hautes altitudes. Les règles de conception communément admises pour la tension typique d'amorçage au niveau de la mer imposent approximativement 1,7 fois la tension maximum de fonctionnement. Pour plus d'informations, voir les notices techniques correspondantes.

La valeur des résistances séries d'isolement doit être aussi élevée que possible sans causer de détérioration des performances des circuits. Les résistances doivent être capables de supporter une surtension instantanée de 20 kV pour le circuit de focalisation et de 12 kV pour les autres circuits en l'absence d'arcs internes.

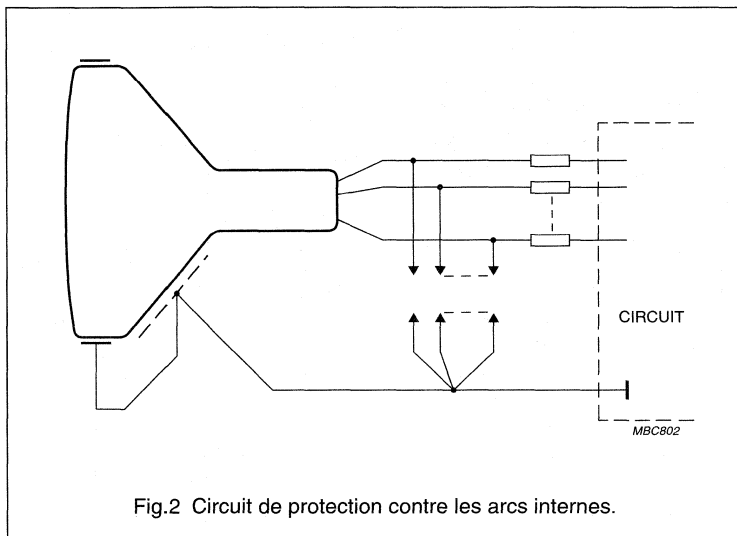


Fig.2 Circuit de protection contre les arcs internes.

PROTECTION CONTRE LES RISQUES D'IMPLOSION

Tous les tubes image sont pourvus d'une protection intégrale contre les implosions et doivent être remplacés par un tube de même type ou d'un type équivalent recommandé pour la maintenance afin d'assurer une sécurité permanente.

MANUTENTION

Quoique tous les tubes image soient pourvus d'une protection intégrale contre l'implosion qui satisfasse aux exigences intrinsèques de protection, conformément au chapitre concernée de la "CEI 65", il faut faire attention à ne pas rayer ni cogner une partie quelconque du tube. Lors du montage, le tube ne doit jamais être manipulé par le col, le déviateur ou un autre composant du col.

Un tube image peut être soulevé en utilisant les deux oreilles de fixation supérieures. En aucune circonstance, il ne doit être suspendu par une seule oreille. Une ventouse à dépression peut être utilisé sur l'écran si les précautions adéquates ont été prises pour ne pas abîmer l'écran.

Pour poser un tube sur son écran, placer en dessous un tissu doux, exempt de toute substance abrasive.

Dans toutes les opérations de manutention précédant la mise en coffret, il existe un risque d'être blessé lorsque le tube a été accidentellement et gravement endommagé. Il est par conséquent recommandé de porter des vêtements protecteurs, en particulier des lunettes de protection.

Des fentes, dans la ceinture métallique d'autoprotection de certains tubes image, servent à la fixation des bobines de désaimantation. Il est **interdit** de suspendre les tubes par une ou plusieurs de ces fentes car cela peut

provoquer une déformation permanente de la ceinture métallique.

Rappelons que lors de l'entretien ou du remplacement du tube, une charge électrique résiduelle peut être présente entre le contact d'anode et la couche externe. Avant de retirer le tube de l'appareil, mettre la couche externe ainsi que la ceinture à la masse et court-circuiter le contact d'anode et la couche externe. Le tube ne doit jamais être soumis à des accélérations supérieures à celles spécifiées dans les notices techniques individuelles. Observer les consignes marquées sur l'emballage et manipuler le tube en conséquence.

MONTAGE

Sauf indication contraire dans les notices techniques des différents tubes, la position de montage est indifférente.

Le support du tube ne doit pas être monté de façon rigide, il doit être raccordé par des fils souples et avoir une certaine liberté de débattement.

DESAIMANTATION

Les tubes image couleur sont munis d'un blindage magnétique interne. Afin d'être efficace le système doit être convenablement désaimanté en appliquant un fort champ magnétique alternatif qui décroît graduellement et symétriquement jusqu'à une faible valeur. Les caractéristiques principales des bobines de désaimantation et des circuits permettant d'obtenir des résultats optimaux sont données dans les notices techniques individuelles.

De forts champs magnétiques peuvent être appliqués au tube durant le transport et les opérations de fabrication de l'appareil de télévision et induire ainsi une rémanence magnétique. Ce champs rémanent ne

peut pas toujours être éliminé par le circuit de désaimantation interne de l'appareil. Il est donc fortement recommandé d'appliquer un champs de désaimantation externe d'intensité (min. 1,5 mT) et d'uniformité convenables sur la ligne l'assemblage, lorsque l'appareil de TV n'est pas sous tension. Ceci doit être suivi par la mise en fonctionnement de la désaimantation interne, l'appareil étant orienté dans la même direction que pour les mesures et l'appréciation des performances.

CHAMPS MAGNÉTIQUE LOCAL

Il convient de porter le plus grand soin à éviter les champs magnétiques locaux alternatifs ou continus tels que ceux produits par transformateurs, haut-parleurs et correcteurs de linéarité. **L'induction magnétique ne doit pas excéder 0,05 mT sur la surface de l'enveloppe du tube.**

BANC DE CHAUFFE

Afin de s'assurer de l'optimisation des conditions de fonctionnement du tube à long terme, une courte période de stabilisation est exigée, après laquelle il doit être procédé au réglage du blocage et à l'estimation des performances.

Il est recommandé que le tube ait subi un temps de fonctionnement d'au moins 30 minutes consécutives avant d'être réglé pour ses conditions de fonctionnement finales.

Après mesure sur banc de chauffe, si le tube a été éteint 90 secondes ou plus, une période de stabilisation de 15 minutes est exigée avant de procéder aux réglages du blocage et à l'estimation des performances. Si le tube a été éteint moins de 90 secondes, la période de stabilisation requiert 10 fois le temps d'extinction.

ALLGEMEINE HINWEISE

Beim Entwurf von Fernsehempfängern sollte von den in den Datenblättern angegebenen Kennwerten ausgegangen werden. Wenn Abweichungen von diesen allgemeinen Empfehlungen zulässig oder notwendig sind, werden entsprechende Hinweise gegeben. Werden Anwendungen in Betracht gezogen, bei denen die Betriebsbedingungen nicht mit den im Datenblatt gemachten Angaben übereinstimmen, so ist bei der Dimensionierung der Schaltung besondere Vorsicht geboten, um eine Überlastung der Bildröhre durch ungünstige Betriebsbedingungen zu vermeiden.

STREUUNGEN VON BILDRÖHREN-KENNDATEN

Die Streuungen der Bildröhren-Kenndaten erstrecken sich auf die Differenz zwischen Maximal- und Minimalwerten. Wertangaben, die nicht als Maximal- oder Minimalwert gekennzeichnet sind, sind Nennwerte. Abhängig von der betrachteten Anzahl von Röhren eines bestimmten Typs können sowohl die Mittel- oder Nennwerte als auch die Streuwerte voneinander abweichen. Bei Einstellungen, die wesentlich von den im Datenblatt gemachten Angaben abweichen, wird keine Garantie für Kenndaten übernommen.

STREUUNGEN UND ÄNDERUNGEN DER BETRIEBSBEDINGUNGEN

Die Betriebsbedingungen einer Bildröhre sind Streuungen und/oder Änderungen unterworfen.

Die **Streuung** einer Betriebsbedingung ist eine **ständige** Abweichung von der mittleren Bedingung, die z.B. durch

Wertabweichungen von Bauelementen hervorgerufen wird. Die mittlere Bedingung ist als Durchschnittswert einer hinreichend hohen Anzahl von zufälligen Einzeleinstellungen definiert. Die **Änderung** einer Betriebsbedingung ist eine **nicht-ständige** Abweichung, hervorgerufen z.B. durch Schwankungen der Speisespannung. Der Mittelwert ist über eine solche Zeitspanne ermittelt, daß bei Verlängerung keine nennenswerten Veränderungen mehr eintreten

GRENZWERTE

Die Grenzwerte entsprechen dem eingeführten Maßsystem, wie es in der "IEC 134" definiert ist. Es kann auf eine der nachstehend beschriebenen drei Arten von Grenzwerten Bezug genommen werden.

Absolute-Grenzwerte

Absolute Grenzwerte sind Grenzwerte für Betriebs- und Umgebungsbedingungen, die auch unter ungünstigen Umständen bei keiner Bildröhre überschritten werden dürfen. Die absoluten Grenzwerte werden zur Aufrechterhaltung der Betriebsfähigkeit vom Bildröhrenhersteller festgelegt. Für Abweichungen des Schaltungsentwurfes und der Umgebungsbedingungen sowie für Auswirkungen der Änderung von Betriebsbedingungen, die durch Abweichung die Röhreigenschaften auch unter Berücksichtigung aller anderen Bauelemente der Schaltung eintreten können, übernimmt der Bildröhrenhersteller keine Verantwortung. Der Gerätehersteller sollte die Schaltung so auslegen, daß während der Lebensdauer der Bildröhre bei den vorgesehenen Einsatzbedingungen auch unter den ungünstigsten Umständen kein

absoluter Grenzwert überschritten wird. Dabei sind zu berücksichtigen: Schwankungen der Speisespannung, Geräteeinstellungen, Streuungen und Änderungen der übrigen Bauelemente, Belastungsänderungen, Signaländerungen, Änderungen der Umgebungsbedingungen sowie Streuungen und Änderungen der Bildröhren-Eigenschaften.

Toleranz-Grenzdaten

Toleranz-Grenzdaten sind Grenzwerte von Betriebs- und Umgebungsbedingungen einer Nominalröhre⁽¹⁾ eines bestimmten Typs, die auch unter den ungünstigsten Umständen nicht überschritten werden dürfen. Die Toleranz-Grenzdaten werden zur Aufrechterhaltung der Betriebsfähigkeit vom Bildröhrenhersteller festgelegt. Änderungen der Betriebsbedingungen, die durch Kennwertabweichungen innerhalb der spezifizierten Toleranzgrenzen auftreten, sind zulässig. Der Geräte-Entwickler sollte die Schaltung so auslegen, daß bei einer Nominalröhre eines bestimmten Typs während ihrer Lebensdauer und bei den vorgesehenen Einsatzbedingungen auch unter den ungünstigsten Bedingungen kein Toleranz-Grenzwert überschritten wird. Dabei sind zu berücksichtigen: Schwankungen der Speisespannung, Abweichungen und Änderungen aller anderen Bauelemente, Schwankungen der Belastung, des Signals und der Umgebungsbedingungen.

(1) Eine Nominalröhre ist eine Röhre, deren Eigenschaften und Daten den publizierten Nennwerten entspricht.

Nennwert-Grenzdaten

Nennwert-Grenzdaten sind Grenzwerte von Betriebs- und Umgebungsbedingungen eines bestimmten Typs, die unter mittleren Bedingungen nicht überschritten werden dürfen. Die Nennwert-Grenzdaten werden zur Aufrechterhaltung der Betriebsfähigkeit der Bildröhre in mittleren Anwendungen festgelegt. Normale Abweichungen der Betriebsbedingungen, hervorgerufen durch die spezifizierte Schwankung der Speisespannung, der Einstellung und Steuerung sowie Änderungen der übrigen Bauelemente und auch Schwankungen der Belastung, des Signals und der Umgebungsbedingungen sind berücksichtigt und zulässig. Wenn die spezifizierten Grenzdaten sich auf mehr als ein Grenzdatensystem beziehen, muß die Schaltung so ausgelegt werden, daß keiner dieser Grenzwerte unter den entsprechenden Bedingungen überschritten wird. Die Begriffe 'long-term' und 'short-term' werden benutzt, um jeweils entweder den maximalen zeitlichen Durchschnitt des Strahlstromes für eine Kanone zu kennzeichnen und die Kathodenbelastung zu begrenzen oder den maximalen zeitlichen Durchschnitt des Strahlstromes für drei Kanonen, um die Schirmbelastung zu begrenzen. 'Short-term' bezieht sich nicht auf eine bestimmte Zeitdauer, sondern bezeichnet die Betriebsbedingung, bei der sich Inhalt und Intensität eines wiedergegebenen Bildes kontinuierlich ändern wie z.B. während aktueller Fernsehübertragungen. 'Long-term' bedeutet, daß das Bild für eine unbestimmte Zeitperiode stillsteht wie z.B. bei der Wiedergabe von Testbildern, Computer-Bildern, Teletext-Daten oder stehenden

TV-Szenen, die länger als 30 s dauern. Da bei Fernseh-Schaltungen die Begrenzung des mittleren Strahlstromes auf den short term Wert zulässig ist, sollte der Wärmehaushalt des Gerätes auf diesem Wert basieren. Zusätzlich zu den in den einzelnen Datenblättern angegebenen Grenzwerten müssen die nachfolgenden Vorschriften beachtet werden.

HEIZUNG

Für maximale Lebensdauer der Kathode und optimale Performance sollte die Heizspannung bei Betrieb ca. 6,15 V betragen. Jede Abweichung von diesem Wert hat eine nachteilige Auswirkung auf Performance und Lebensdauer der Röhre und sollte daher auf ein Minimum begrenzt werden. Auf jeden Fall sollen Abweichungen im Bereich von 5,7 V bis 6,6 V bleiben. Um den Einschaltstrom des Heizers zu begrenzen wird eine minimale Quellenimpedanz von 2 Ω oder eine Strombegrenzung bei maximal 700 mA empfohlen. Details sind den jeweils gültigen Datenblättern zu entnehmen. Wenn die Heizspannung aus asymmetrischen Impulsen besteht, muß sie mit einem 'True RMS' Meßgerät mit ausreichend hohem Crestfaktor gemessen werden.

In der Vergangenheit wurde die empfohlene Heizspannung bei einem Strahlstrom von Null spezifiziert, weil bei älteren Stromversorgungen die Spannung an der Kathode unter Betriebsbedingungen auf einen wünschenswerten Pegel (6,15 V) abfällt. Die heutigen Stromversorgungen sind jedoch stabiler, so daß die Spannung an der Kathode unter Betriebsbedingungen kaum abfällt und auf einem Pegel bleiben kann, der für die Lebensdauer der Röhre nicht besser sein könnte.

Um unseren Kunden maximalen Schutz zu bieten, geben wir daher die empfohlene Heizversorgungsspannung nicht mehr mit 6,3 V bei einem Strahlstrom von Null an, sondern mit 6,15 V unter Betriebsbedingungen. Im wesentlichen ist dies keine Änderung der Spezifikation, sondern der Versuch, unsere Empfehlungen an den aktuellen Stand der Technik auf dem Gebiet der Stromversorgungen anzupassen.

SPANNUNG ZWISCHEN HEIZFADEN UND KATHODE

Die Spannung zwischen Heizfaden und Kathode sollte so klein wie möglich sein und darf die im Datenblatt angegebenen Grenzwerte nicht überschreiten. Diese beziehen sich auf das Heizfadeneende, welches die höhere Spannung gegen die Kathode fuhr. Die Spannung zwischen Heizfaden und Kathode kann eine Gleichspannung, Wechselspannung oder eine Kombination aus beiden sein. Wenn nicht anders angegeben, gilt der maximale Wert der Spannung zwischen Heizfaden und Kathode als maximal zulässiger Wert (Gleichspannungskomponente).

Im Hinblick auf gute Isolation von Heizer und Kathode über die Lebensdauer der Röhre wird empfohlen, die Kathode stets auf positivem Potential gegenüber dem Heizer zu halten.

Eine Gleichstromverbindung zwischen Heizfaden und Kathode sollte immer vorhanden sein. Wenn nicht anders angegeben, darf der Widerstand dieser Verbindung 1 M Ω nicht übersteigen.

ELEKTRODEN ZWISCHEN HEIZFADEN UND BESCHLEUNIGUNGSANODE

Unter keinen Umständen darf die Bildröhre ohne Gleichstromverbindung zwischen jeder Elektrode und Kathode betrieben werden. Die zwischen jeder Elektrode und Kathode wirksame Impedanz darf die angegebenen Maximalwerte nicht überschreiten. Keine Elektrode darf direkt an eine Hochspannungsquelle angeschlossen werden. Wenn erforderlich, darf eine solche Verbindung nur über einen Serienwiderstand von minimal 1 k Ω hergestellt werden. Die Schaltung muß so ausgelegt sein, daß die Fokusspannung auch unter Übergangsbedingungen niemals die Anodenspannung übersteigt.

SPERRSPANNUNG

Im allgemeinen werden die Grenzdaten der Sperrspannung in Abhängigkeit von der G_2 -Spannung als Kurven in den Datenblättern angegeben. Die spezifizierten Grenzen sind für eine Umgebungshelligkeit von 10 Lux festgelegt. Weil die Helligkeit eines unabgelenkten Leuchtpunktes größer ist als die eines Gitter-Testbildes bei gleichem Strom, ist die Sperrspannung bei Bestimmung mit Hilfe eines unabgelenkten Leuchtpunktes etwa 5 V negativer als die eines fokussierten Gitter-Testbildes. Für optimale Performance wird empfohlen, die Kathode mit der höchsten Sperrspannung auf den höchsten empfohlenen Sperrspannungswert des jeweils gültigen Datenblattes einzustellen.

VORSICHTSMAßNAHMEN BEIM BETRIEB DER BILDRÖHRE

Um bleibende Schirmbeschädigungen zu vermeiden, sollten folgende Sorgfaltsmaßnahmen getroffen werden:

- Die Bildröhre nicht mit stehendem Bild und hohem Strahlstrom über längere Zeit betreiben.
- Die Bildröhre nicht mit einem stehenden oder sich langsam bewegenden Punkt betreiben, außer mit extrem niedrigen Strahlströmen.
- Wenn kein Bleeder benutzt wird, sollen die Zeitkonstanten von Kathode, G_1 , G_2 und Ablenkschaltungen so gewählt sein, daß genügend Strahlstrom aufrechterhalten bleibt, um die auf Hochspannung aufgeladenen Kapazitäten zu entladen, bevor die Ablenkung aufhört.

Um Streuemission zu verhindern:

- Die Anodenspannung soll innerhalb von 5 s nach Abschalten auf unter 12 kV absinken.

Um schwerste Schäden an der Bildröhre zu vermeiden, wird dringend empfohlen, die Videoansteuerstufe mit einer Schaltung zu versehen, die die Röhre automatisch dunkel steuert, wenn die Ablenkschaltung ausfällt. Dieses ist besonders wichtig in Applikationen, in denen die Vertikal-Ablenkspule DC-gekoppelt mit der Vertikalendstufe ist. Ein Kurzschlußfehler in dieser Stufe könnte sonst den Röhrenhals beschädigen und die Röhre dadurch belüften.

LEITENDER AUßENBELAG

Der leitende Außenbelag muß mit dem Massepunkt des Chassis verbunden werden. Die Kapazität zwischen dem Außenbelag und der letzten Beschleunigungsanode kann zur Glättung der Hochspannung verwendet werden. Der Außenbelag ist kein guter Leiter. Zur Reduzierung der durch Zeilenablenkung und Bildinhalt erzeugten elektromagnetischen Störstrahlung sollen deshalb mehrfache Kontakte zum Außenbelag, verteilt über diesen, angebracht werden (siehe auch Abschnitt "Schutz gegen Spannungsüberschläge").

METALLRAHMENVERSTÄRKUNG

Eine merkliche Kapazität besteht zwischen der Metallrahmenverstärkung und dem inneren leitenden Belag der Bildröhre, deren Wert in den Datenblättern angegeben ist.

Chassis mit Netztrennung

Bei Anwendung der Bildröhre in netzgetrennten Chassis wird empfohlen, die Metallrahmenverstärkung mit dem leitenden Außenbelag elektrisch zu verbinden.

Chassis ohne Netztrennung

In Chassis ohne Netztrennung, in denen die Metallrahmenverstärkung oder andere leitende Teile von Außerhalb des Gehäuses zugänglich sind, wird eine für Gleichspannung hochohmige elektrische Verbindung, überbrückt für Wechselspannung aber für Netztrennung ausreichend, zwischen Metallrahmenverstärkung und leitendem Außenbelag empfohlen. Der Widerstand und der Kondensator (zum Beispiel 2 M Ω parallel mit 4,7 nF) müssen für Spannungsspitzen, wie sie während Hochspannungsüberschlägen auftreten, ausreichend dimensioniert sein.

SCHUTZ GEGEN SPANNUNGSÜBERSCHLÄGE (FLASHOVER)

Zwischen den Elektroden der Strahlensysteme bestehen hohe elektrische Feldstärken, wobei Werte von 20 kV/mm erreicht werden. Obwohl bei der Entwicklung und bei der Herstellung der Bildröhren mit äußerster Sorgfalt vorgegangen wird, besteht die Möglichkeit, daß Spannungsüberschläge in der Bildröhre vorkommen können. Die dabei kurzzeitig auftretenden Spitzen-Spannungen und -Ströme können so hohe Werte annehmen, daß die Bildröhre und verschiedene Bauelemente auf dem Chassis beschädigt werden. Der Überschlag endet, wenn die gesamte Hochspannungsladung abgeflossen ist. Da Philips Bildröhren in Soft Flash Technologie hergestellt werden, sind die Spitzenströme bei Überschlägen begrenzt, was größere Zuverlässigkeit der Geräte, optimalen Schutz der Schaltung und Einsparungsmöglichkeiten bei Bauteilen bietet.

Primäre Schutzschaltungen mit sachgerecht an Masse gelegten Funkenstrecken und Serien-Schutzwiderständen (vorzugsweise Kohleschicht Bauart) sind dennoch erforderlich um Beschädigungen der Bildröhre zu vermeiden. Mit Ausnahme der Heizeranschlüsse sind die Funkenstrecken mit sämtlichen Elektroden der Bildröhre am Sockel zu verbinden. Es ist zulässig, einen der Heizeranschlüsse direkt mit der Masse des Chassis zu verbinden. Zusammenfassend ist es von entscheidender Bedeutung, Funkenstrecken und Serienwiderstände entsprechend Abb.1 vorzusehen. Um das Eindringen von Entladeströmen in das Chassis zu verhindern, sind zwischen dem leitenden Außenbelag der Röhre und dem Chassis keine weiteren elektrischen Verbindungen zulässig. Um angemessenen Schutz bei Überschlägen zu bieten, müssen

die Funkenstrecken so bemessen sein, daß sie unter allen Betriebsbedingungen verläßlich zünden. Beim Design sollen daher sowohl Streuungen der Zündspannung wie der Betriebsspannungen der Bildröhre berücksichtigt werden. Der Einfluß des Umgebungsluftdrucks ist ebenfalls zu bedenken. Eine allgemeine Regel ist, daß die typische Zündspannung auf Meeresniveau das ca. 1,7 fache der maximalen Betriebsspannung betragen soll. **Die Werte der Serienwiderstände sollen so hoch wie möglich sein, ohne dabei die Performance der Schaltung zu beeinträchtigen. Die Widerstände sollen in Lage sein, einem spontanen Spannungsanstieg auf 20 kV (Fokuselektrode) bzw. 12 kV (alle übrigen Elektroden) zu widerstehen, ohne Überzuschlagen.**

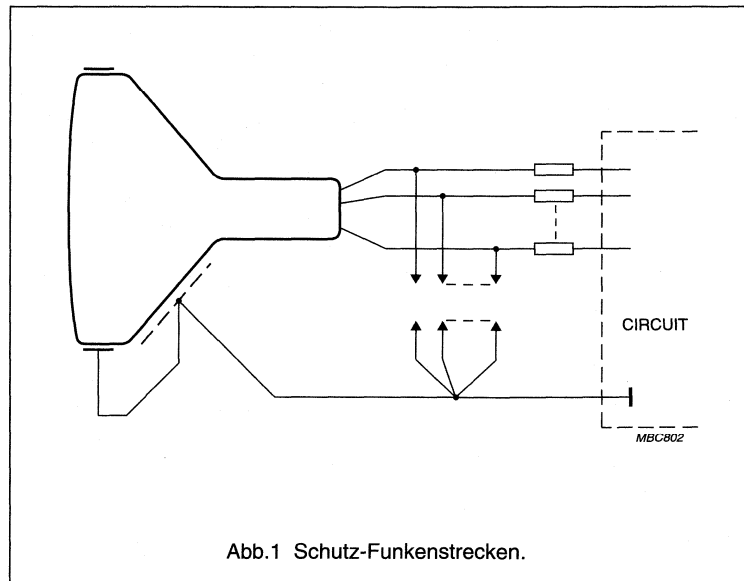


Abb.1 Schutz-Funkenstrecken.

IMPLOSIONSSCHUTZ

Alle von uns angebotenen Bildröhren sind implosionsschutzgeschützt und dürfen daher nur durch Bildröhren des gleichen Typs oder eines empfohlenen Ersatztyps ausgetauscht werden. In diesem Zusammenhang wird auf das von der *"Berufsgenossenschaft Feinmechanik und Elektrotechnik"* herausgegebene *"Merkblatt über den Umgang mit Bildröhren"* hingewiesen.

HANDHABUNG

Obwohl die Bildröhren mit einem Implosionsschutz ausgerüstet sind, welcher die Sicherheitsanforderungen nach VDE 0860 und DIN 57860 bzw. IEC 65 erfüllt, ist Vorsicht geboten. Die Röhre sollte nicht zerkratzt oder hart angestoßen werden. Eine Belastung des Rohrenhalses muß vermieden werden. Beim Anheben eines Bildröhrenpaketes (Bildröhre mit fest montierter Ablenkeinheit und Mehrpoleinheit) aus der seitlichen Lage sollten die beiden oberen Befestigungswinkel benutzt werden. Eine weitere Möglichkeit zum Anheben besteht darin, fest mit den Händen an den senkrechten Seiten

gegen das Spannband zu drücken. Beim Ablegen der Bildröhre mit dem Schirm nach unten muß dieser auf eine saubere weiche Unterlage gelegt werden. Bei allen Handhabungen, vor allem beim Einsetzen in das Empfängergehäuse, besteht Verletzungsgefahr, wenn aus Versehen die Bildröhre zerstört wird. Es wird daher empfohlen, daß Schutzkleidung und vor allem eine Schutzbrille getragen wird. Bei Aufhängung der Bildröhre muß sichergestellt werden, daß sie mindestens an zwei Befestigungswinkeln gehalten wird. Auf keinen Fall darf die Bildröhre an nur einen Befestigungswinkel gehängt werden.

Die Schlitze der Metallrahmenverstärkung sind für die Montage der Entmagnetisierungsspulen bestimmt. Es ist **unzulässig**, die Bildröhre an einem oder mehreren dieser Schlitze anzuheben, weil eine Verformung der Metallrahmenverstärkung die Folge wäre.

Beim Ausbau der Bildröhre aus dem Empfängergehäuse ist zu beachten, daß am Anodenanschluß und am

leitenden Außenbelag noch eine elektrische Ladung vorhanden sein kann. Zur Entladung soll daher der Anodenkontakt mit dem leitenden Außenbelag verbunden und dieser geerdet werden, bevor am Gerät gearbeitet oder die Bildröhre ausgebaut wird. In diesem Zusammenhang wird noch auf das von der *"Berufsgenossenschaft der Feinmechanik und Elektrotechniker"* herausgegebene *"Merkblatt über den Umgang mit Bildröhren mit Schirmdiagonalen größer als 160 mm"* hingewiesen.

MONTAGE

Wenn im Datenblatt nicht anders angegeben, bestehen keine Einschränkungen im Hinblick auf die Einbaulage. Die Röhrenfassung soll nicht starr, sondern mit flexiblen Leitungen angeschlossen werden. Für den Geräteentwurf sind die in den Zeichnungen angegebenen Toleranzen der mechanischen Abmessungen zu berücksichtigen.

Unter keinen Umständen sollte ein Gerät nach den Abmessungen einzelner Musterröhren entworfen werden.

ENTMAGNETISIERUNG

Farbbildröhren besitzen eine interne magnetische Abschirmung. Zur sicheren Funktion muß die Röhre jedoch durch Anlegen eines starken und langsam symmetrisch abnehmenden magnetischen Wechselfeldes entmagnetisiert werden. Für jeden Röhrentyp werden in den Datenblättern optimale Entmagnetisierungsspulen und -Schaltungen empfohlen.

Während des Transportes der Bildröhre oder der Fertigung der Fernsehgeräte können möglicherweise starke Magnetfelder eine magnetische Remanenz induzieren. Diese Remanenz kann nicht in jedem Fall durch die automatische Entmagnetisierungsschaltung im Gerät allein beseitigt werden. Daher wird dringend empfohlen, eine externe Entmagnetisierung von hinreichender Stärke und Gleichförmigkeit am Fertigungsband der Geräte vorzusehen. Dieser externen Entmagnetisierung sollte dann die Geräte-interne automatische Entmagnetisierung folgen. Dabei sollte das Gerät in derselben Himmelsrichtung stehen, wie auch für die weitere Prüfung und Performance-Beurteilung.

**EINFLÜSSE EXTERNER
MAGNETFELDER**

Externe magnetische Gleich- oder Wechselfelder wie die von Lautsprechern oder Transformatoren, müssen von der Röhre ferngehalten werden **und dürfen, außen auf der Röhre gemessen, 0,05 mT nicht überschreiten.**

**OPTIMIERUNG BEI DER ERSTEN
INBETRIEBNAHME UND
BEURTEILUNG**

Um sicherzustellen, daß die Betriebsbedingungen der Röhre langzeit-optimiert sind, ist eine kurze Stabilisierungszeit erforderlich. Danach können Sperr-Punkt-Abgleich und Performance Beurteilung durchgeführt werden. Es wird empfohlen, für diesen Stabilisierungsvorgang mindestens 30 Minuten Einlaufzeit vorzusehen, bevor das Gerät auf die endgültigen Betriebsbedingungen abgeglichen wird.

Nach der Stabilisierung, wenn die Röhre für eine Periode von 90 s oder mehr abgeschaltet war, ist eine erneute Anheizzeit von 15 Minuten oder mehr erforderlich, bevor der endgültige Sperrpunktgleich und die Bildbeurteilung durchgeführt werden können. Wenn die Röhre für weniger als 90 s eingeschaltet war, beträgt die erforderliche Wiederanheizzeit das 10 fache der Ausschaltzeit.

General safety recommendations

General

GENERAL

When properly used and handled, electronic tubes do not constitute a risk to health or to the environment.

However, certain hazards may arise and it is important that the following recommendations are observed. Care should be taken to ensure that all personnel who may handle, use or dispose of these products are aware of the necessary safety precautions.

Individual product data sheets may indicate if any of the specific hazards given in Chapters "X-radiation" to "High voltage" are likely to be present.

BREAKAGE

If a tube is broken or otherwise damaged, precautions must be taken against the following hazards which may arise:

- Broken glass or ceramic (see Chapter "Implosion - handling of television picture and cathode ray tubes"). Protective clothing such as gloves should be worn.
- Contamination by toxic materials and vapours. In particular skin contact and inhalation should be avoided.

DISPOSAL

Most electronic tubes contain toxic materials.

These products should be disposed of in accordance with relevant national legislation: in the United Kingdom the "Deposit of Poisonous Waste Act 1972" and the "Control of Pollution Act 1974 amended 1980 special Waste Regulations" apply.

When disposing of large quantities, the advice of the manufacturer's service department should be sought.

FIRE

Electronic tubes themselves do not present a fire hazard.

However, since most packaging materials are flammable, care should be taken in the disposal of such materials; some of which will emit toxic fumes if burned.

If packaged tubes are involved in a fire, implosion may occur (see Chapter "Implosion - handling of television picture and cathode ray tubes"), together with the consequent release of toxic vapours and materials.

X-RADIATION

All high voltage electronic tubes produce progressively more penetrating X-rays as the operating voltage is increased. The tube will satisfy the European Community permitted limit of 1 $\mu\text{Sv/h}$, when driven within the maximum operating conditions denoted in the product published data.

The residual level of X-radiation depends upon the application. The tube envelope provides a measure of protection but under some equipment fault conditions, the X-ray hazard may be considerably increased.

This potential hazard will be present only when the tube is energized.

TOXIC COMPOUNDS

Small quantities of barium compounds are contained in the products and are toxic. In the event of accidental breakage, there is a risk that personnel might come into contact with these materials. Protective clothing should be worn and any fine debris should be mopped up with a damp cloth.

To protect the environment, materials which may have become contaminated should be sealed (e.g. in a bag) and disposed of in accordance with the relevant national legislation.

This potential hazard is present, if breakage occurs, at all times from receipt to disposal of tubes.

IMPLOSION - HANDLING OF TELEVISION PICTURE AND CATHODE RAY TUBES

All vacuum tubes store potential energy by virtue of their vacuum. The energy level represents a hazard.

Most modern tubes are provided with integral implosion protection which conforms to "IEC 65, clause 18". With these tubes, no additional protection is needed. However, additional stresses due to mishandling may considerably increase the risk of implosion. Implosions may occur immediately or may be delayed.

The strength of the glass envelope will inevitably be impaired by surface damage, such as scratches or bruises (localized surface cracks caused by impact). When a tube is not in its equipment or original packing, it should be placed faceplate downwards on a pad of suitable ribbed material which is kept free from abrasive substances.

Under no circumstances should any attempt be made to remove the bonded faceplate or integral implosion protection band when fitted to a tube.

Stresses on the neck of the tube must be avoided. Handle by the recommended methods as illustrated:

Tube face-down

To lift a tube from the face-down position, the hands should be placed under the areas of faceplate close to the fixing lugs (if fitted), at diagonally opposite corners of the face-plate as shown in Fig.1. The tube must not be lifted from this position by the lugs themselves. **Under no circumstances should any force be applied to the neck of the tube.**

Tube face-up

To lift a tube from the face-up position, the hands should be placed under the areas of the cone close to the fixing lugs (if fitted), at diagonally opposite corners of the cone as shown in Fig.2. The tube must not be lifted from this position by the lugs themselves. **Under no circumstances should any force be applied to the neck of the tube.**

If the handling procedures for tubes are such that as a consequence of severe accidental damage to the tube, there is a risk of injury to personnel, then it is recommended that protective clothing should be worn, particularly eye shielding. When fitted, lugs are provided for fixing in equipment. They must not be subjected to excessive forces. Adequate protection must be provided if there is a possibility of injury as a result of failure of a lug or lugs.

HIGH VOLTAGE

Attention is called to the fact that a high voltage may remain on the final anode connector and also on the external coating and rimband, if not earthed, even after a tube has been removed from equipment. Before handling a tube it is recommended to discharge the tube capacitance, by connection via a resistor of not less than 10 k Ω and capable of withstanding high voltages.

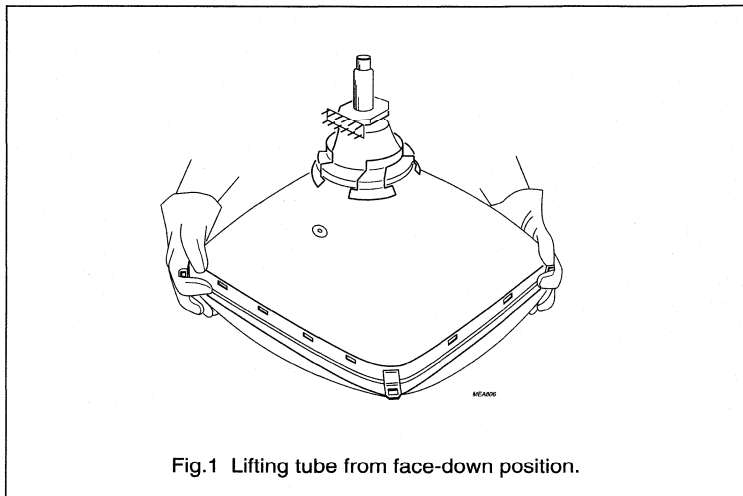


Fig.1 Lifting tube from face-down position.

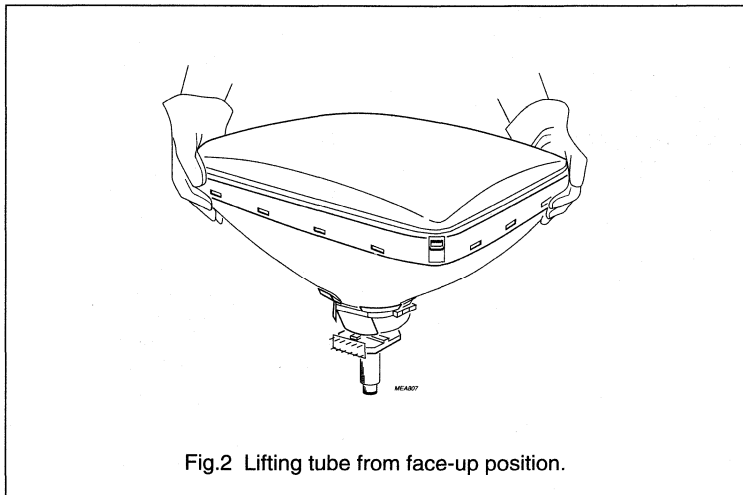


Fig.2 Lifting tube from face-up position.

In equipment where the chassis can be connected directly to the mains without electrical separation, there may be a risk of electric shock if access can be gained to the metal rimband through the aperture at the front of the equipment. Consequently, it is recommended that a 2 M Ω resistor, capable of withstanding peak voltages of EHT values (as specified in "IEC 65, clause 14.1") is inserted between the rimband and the braided earth contact to the external coating.

A significant capacitance is formed between the rimband and internal conductive layer of the tube. In the event of flashover, high voltages will be induced on the rimband. In order to bypass these voltages a capacitor of a few nanofarads (extra-high-voltage low-inductance in compliance with "IEC 65, clause 14.2") should be inserted between the rimband and the braided earth contact to the external coating.

Recommandations générales de sécurité

General

INTRODUCTION

Les tubes électroniques ne font aucun danger ni pour la santé, ni pour l'environnement, s'ils sont employés et manipulés correctement.

Cependant, les tubes présentent certains risques et il est important que les recommandations suivantes soient observées. Il est important de s'assurer que toute personne qui est amenée à manipuler, employer ou se débarrasser de ces produits soit au courant des précautions de sécurité nécessaires.

Les notices techniques sur chacun des tubes peuvent préciser si certains des risques spécifiques indiqués dans les chapitres suivants ont une probabilité d'exister.

CASSÉ

Si un tube est cassé ou même endommagé, des précautions doivent être prises contre les risques suivants qui peuvent se produire:

- Verre ou céramique cassé (voir Chapitre "Implosion - manutention des tubes image de télévision et des tubes à rayons cathodiques"). Un vêtement de protection tel que des gants doit être porté.
- Contamination par matières et vapeurs toxiques. En particulier, le contact avec la peau et l'inhalation doivent être évités.

MISE AU REBUT

La plupart des tubes électroniques contiennent des produits toxiques.

Il faut se débarrasser de ces produits en conformité avec la législation nationale en vigueur.

Quand il s'agit de mettre au rebut de grandes quantités, consulter le Service Après-Vente du fabricant.

INCENDIE

Les tubes électroniques en eux-mêmes ne présentent aucun risque d'incendie.

Toutefois, sachant que la plupart des matériaux d'emballage sont inflammables, il convient de prendre des précautions pour les jeter; certains, parmi eux, émettent des fumées toxiques en brûlant.

Si des tubes emballés sont impliqués dans un incendie, des implosions peuvent se produire (voir Chapitre "Implosion - manutention des tubes image de télévision et des tubes à rayons cathodiques"), accompagnées d'un dégagement de vapeurs et de matières toxiques.

RAYONS X

Tous les tubes électroniques sous haute tension produisent des rayons X dont la pénétration augmente avec la tension de fonctionnement. Le tube satisfera à la limite autorisée par la Communauté Européenne, soit 1 $\mu\text{Sv/h}$, s'il est utilisé dans les conditions de fonctionnement maximales figurant dans les notices techniques publiées.

Le niveau résiduel de rayon X dépend de l'application. L'ampoule du tube constitue un dispositif de protection, mais dans certaines conditions de panne de l'appareil, le danger de rayon X peut se trouver considérablement augmenté.

Ce risque éventuel n'existe que lorsque le tube est sous tension.

PRODUITS TOXIQUES

Ces tubes contiennent de petites quantités de composés de baryum qui sont toxiques. En cas de casse accidentelle, il y a risque pour le personnel d'entrer en contact avec ces substances.

Des vêtements de protection doivent être portés et tous les débris doivent être soigneusement ramassés avec un chiffon humide.

Pour protéger l'environnement, les matériaux qui pourraient avoir été contaminés doivent être enveloppés hermétiquement (par exemple dans un sac) et jetés conformément à la législation nationale en vigueur.

Ce risque existe, en cas de casse, à tout moment depuis l'entrée jusqu'à l'élimination des tubes.

IMPLOSION - MANUTENTION DES TUBES IMAGE DE TÉLÉVISION ET DES TUBES À RAYONS CATHODIQUES

Tous les tubes sous vide modernes comportent une protection intégrale contre l'implosion conforme à la "CEI 65, paragraphe 18". Ces tubes ne nécessitent aucune protection supplémentaire. Toutefois, le risque d'implosion peut-être considérablement augmenté par des erreurs de manutention. Les implosions peuvent se produire immédiatement ou même ultérieurement.

La résistance de l'ampoule de verre sera inévitablement affaiblie par un dommage superficiel tel que des rayures ou des fêlures (craquelures superficielles et locales provoquées par impact). Quand un tube est hors de son appareil et de son emballage d'origine, il doit être placé face vers le bas sur une surface alvéolée, exempte de substances abrasives.

En aucune circonstance, on ne doit tenter de retirer du tube la dalle rapportée ou la ceinture d'autoprotection contre l'implosion.

Éviter tout effort sur le col du tube; manipuler le tube selon les méthodes recommandées, comme illustré:

Tube face en bas

Pour soulever un tube dans sa position face en bas, les mains doivent être placées sous la dalle écran dans les zones proches des oreilles de fixation (si elles existent) et diagonalement opposées, comme montre sur la Fig.1. Le tube ne doit pas être soulevé dans cette position par les oreilles de fixation.

En aucune circonstance, une force quelconque ne doit être exercée sur le col du tube.

Tube face en haut

Pour soulever un tube dans la position face en haut, les mains doivent être placées sous le cone dans les zones proches des oreilles de fixation (si elles existent) et diagonalement opposées (comme montre a la Fig.2). Le tube ne doit pas être soulevé dans cette position par les oreilles de fixation.

En aucune circonstance, une force quelconque ne doit être exercée sur le col du tube.

Si dans les opérations de manutention des tubes, le personnel risque d'être blessé lorsque un tube a subi des dommages accidentels graves, il est alors recommandé de porter des vêtements protecteurs et des lunettes de protection, en particulier. Quand elles existent, les oreilles de fixation sont prévues pour la fixation du tube dans l'appareil. Elles ne doivent être soumises à aucun effort excessif. Si le personnel risque d'être blessé suite à la rupture d'une ou plusieurs oreilles de fixation, une protection adéquate doit être prévue.

HAUTE TENSION

L'attention est attirée sur le fait qu'une haute tension peut rester présente sur la prise d'anode ainsi que sur la couche externe et sur la ceinture d'auto-protection, si aucune d'elles

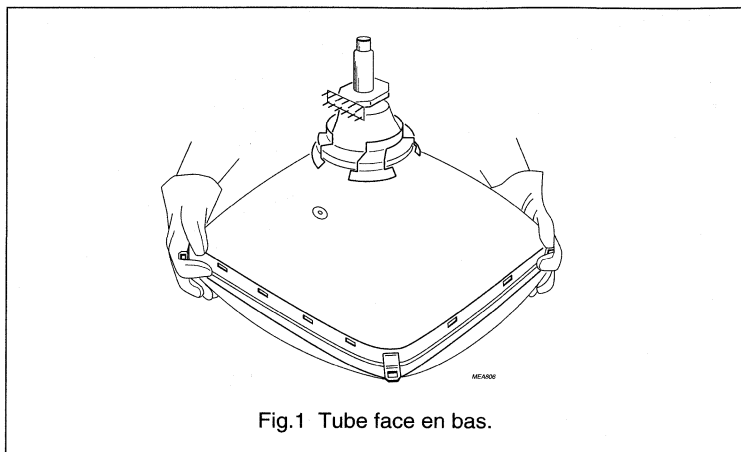


Fig.1 Tube face en bas.

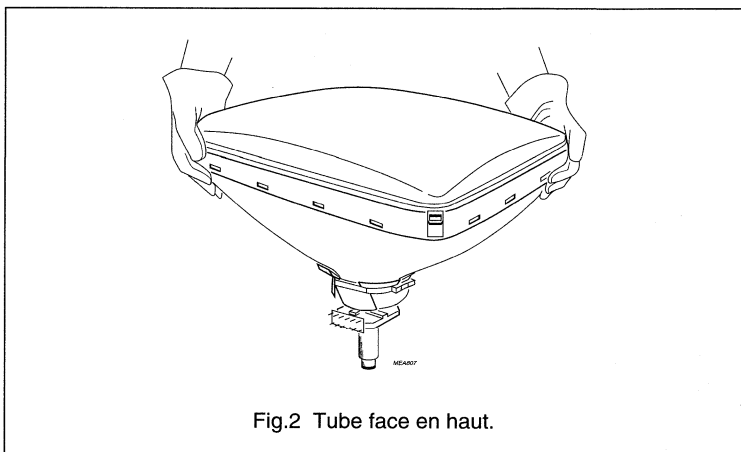


Fig.2 Tube face en haut.

n'ont été mises à la masse, même lorsque le tube est hors de l'appareil. Avant de manipuler un tube, il est recommandé de décharger la capacité du tube en connectant une résistance d'au moins 10 k Ω pouvant supporter une haute tension. Dans un appareil dont le châssis est connecté directement au secteur sans séparation électrique, il y a un risque de recevoir une décharge électrique si on peut atteindre la ceinture métallique d'autoprotection par l'ouverture située sur le devant de l'appareil. En conséquence, il est recommandé de connecter une résistance de 2 M Ω , capable de

supporter des tensions crêtes de la valeur de la THT (conformément à la "CEI 65, paragraphe 14.1"), entre la ceinture et la tresse de masse placée sur la couche externe. La ceinture et la couche interne constituent les armatures d'une capacité de valeur importante. En cas d'arcs internes, des hautes tensions sont induites sur la ceinture. Afin de court-circuiter ces tensions, une capacité de quelques nanofarads (à très haute tension et faible inductance en conformité avec la "CEI 65, paragraphe 14.2") doit être connectée entre la ceinture et la tresse de masse appliquée sur la couche externe.

ALLGEMEINES

Bei Betrieb unter normalen Bedingungen und korrekter Handhabung gehen von Elektronenröhren keine gesundheitsgefährdenden oder umweltstörenden Einflüsse aus.

Bei mechanischer Beschädigung oder durch elektrische Überlastung können jedoch Gefahren auftreten. Daher ist es sehr wichtig, daß die folgenden Empfehlungen beachtet werden. Es ist sicherzustellen, daß alle Personen, die diese Bauelemente handhaben, benutzen, besitzen und entsorgen, die allgemeinen Sicherheitsempfehlungen kennen und beachten.

In den einzelnen Datenblättern können spezielle Hinweise enthalten sein ob besondere Risiken, wie in den nachfolgenden Abschnitten beschrieben, vorliegen.

GLASBRUCH

Wenn eine Röhre zerbrochen oder beschädigt ist, müssen Vorsichtsmaßnahmen getroffen werden, falls nachfolgende Gefahren auftreten:

- Glas- oder Keramikbruch (siehe Abschnitt "Implosion - Handhabung von Fernseh-Bild- und Kathodenstrahlröhren"). Schutzkleidung ist zu tragen, z.B. Handschuhe.
- Kontamination durch toxische Materialien und Dämpfe. Besonders Hautkontakt und Einatmen sind zu vermeiden.

ENTSORGUNG

Die meisten Bildröhren enthalten toxische Materialien.

Die Entsorgung dieser Bauelemente muß in Übereinstimmung mit den entsprechenden nationalen

Vorschriften und Umweltschutzgesetzen erfolgen.

In der Bundesrepublik Deutschland ist dieses in den einzelnen Bundesländern unterschiedlich geregelt. Für die Entsorgung großer Mengen können Hinweise beim Röhrenhersteller eingeholt werden.

FEUER

Bildröhren an sich sind nicht entflammbar oder brennbar.

Das üblicherweise verwendete Verpackungsmaterial ist jedoch entflamm- und brennbar. Bei der Vernichtung dieser Materialien ist mit entsprechender Vorsicht vorzugehen, da bei einigen Materialien toxische Dämpfe beim Verbrennen freigesetzt werden.

Wenn Röhren direkt oder in Verpackung Feuer ausgesetzt sind, besteht Implosionsgefahr (siehe Abschnitt "Implosion - Handhabung von Fernseh-Bild- und Kathodenstrahlröhren") mit der Gefahr der Freisetzung von toxischen Dämpfen und Materialien.

RÖNTGENSTRAHLUNG

In allen mit Hochspannung betriebenen Elektronenröhren entsteht Röntgenstrahlung. Die Intensität der Röntgenstrahlung steigt mit der Anodenspannung an. Alle in diesem Datenbuch beschriebenen Bildröhren erfüllen bei Betrieb mit den im Datenblatt aufgeführten maximal zulässigen Betriebswerten die von der EG vorgegebenen Grenzwerte der Äquivalentdosis $<1 \mu\text{Sv/S}$.

Der Röntgenstrahlungspegel ist von der Applikation abhängig. Der Glaskörper einer Röhre bietet im Normalfall hinreichend Schutz vor Röntgenstrahlung. Bei bestimmten Fehlfunktionen der Betriebsschaltung

kann die Röntgenstrahlungsgefahr jedoch erheblich zunehmen.

In der Bundesrepublik Deutschland sind bei Spitzenspannungen von mehr als 5 kV die Vorschriften über den Schutz vor Schaden durch Röntgenstrahlung gemäß "Röntgenverordnung (RöV) vom 8. Januar 1987" zu beachten.

Diese potentielle Gefahr liegt nur bei Betrieb der Röhre vor.

TOXISCHE INHALTSSTOFFE

In den Röhren sind kleine Mengen von Bariumverbindungen mit toxischer Wirkung enthalten. Bei einem Glasbruch besteht das Risiko, daß Personen mit diesen Stoffen in Berührung kommen. Es ist daher in einem solchen Falle Schutzkleidung zu tragen, und alle feinen Teilchen sind mit einem feuchten Tuch aufzuwischen.

Zum Schutze der Umwelt sind Materialien, die verunreinigt wurden unter Verschluss zu halten (z.B. in einer Plastiktüte) und entsprechend den geltenden Vorschriften zu entsorgen.

Diese potentielle Gefahr im Falle eines Glasbruchs ist über die gesamte Lebensdauer bis hin zur Entsorgung der Röhre gegeben.

IMPLOSION - HANDHABUNG VON FERNSEH-BILD- UND KATHODENSTRAHLRÖHREN

Alle Vakuum-Röhren enthalten aufgrund ihres Vakuums ein Potential an Energie. Dieses Energiepotential stellt eine latente Gefährdung dar.

Die meisten modernen Röhren sind mit einem integrierten Implosionsschutz ausgerüstet, der die Anforderungen der "IEC 65, Absatz 18" erfüllt.

Bei diesen Röhren ist kein zusätzlicher Schutz erforderlich. Mechanische Spannungen, hervorgerufen durch falsche Handhabung, erhöhen jedoch erheblich das Implosionsrisiko. Eine Implosion kann unmittelbar oder verzögert erfolgen.

Bei Beschädigung der Oberfläche der Röhre durch Kratzer oder Eindrückung (örtliche Flächeneindrückung hervorgerufen durch Stoß) wird die Festigkeit des Glaskolbens geschwächt. Wenn eine Röhre nicht im Gerätegehäuse eingebaut ist, bzw. sich nicht in ihrer Originalverpackung befindet, ist sie mit dem Schirm nach unten auf einer sauberen, weichen Unterlage ohne schleifende Substanzen abzulegen.

Es darf auf keinen Fall der Versuch gemacht werden die aufgebrachte Frontplatte oder das integrierte Implosions-Schutzband, falls vorhanden, zu entfernen.

Mechanische Spannungen am Hals der Röhre sind zu vermeiden. Das Anheben der Röhre ist den nachfolgenden Grafiken zu entnehmen.

Röhre mit Schirm nach unten

Beim Anheben der Röhre aus der Position Schirm nach unten, sind die Hände, unter der Fläche des Schirms, bei den Befestigungswinkeln (wenn vorhanden) zu plazieren, diagonal an gegenüberliegenden Ecken des Kolbens (siehe Abb.1).

Die Röhre darf nicht allein an den Befestigungswinkeln gehoben werden.

Eine Belastung des Röhrenhalses muß unter allen Umständen vermieden werden.

Röhre mit Röhrenhals nach unten

Beim Anheben der Röhre aus der Position Röhrenhals nach unten, sind die Hände, unter der Fläche des Kolbens bei den Befestigungswinkeln (wenn vorhanden) zu plazieren, diagonal an gegenüberliegenden Ecken des Kolbens (siehe Abb.2).

Die Röhre darf nicht allein an den Befestigungswinkeln gehoben werden, wenn sie aus dieser Position angehoben wird.

Eine Belastung des Röhrenhalses muß unter allen Umständen vermieden werden.

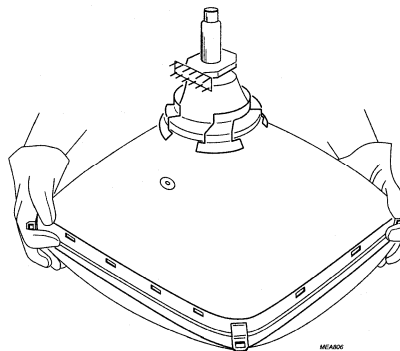


Abb.1 Anheben der Röhre aus der Position Schirm nach unten.

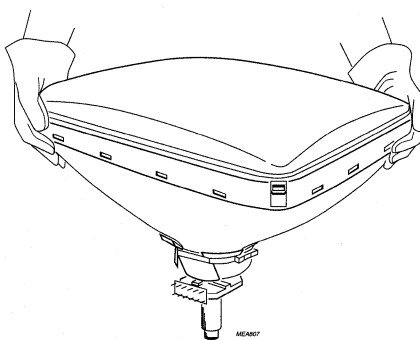


Abb.2 Anheben der Röhre aus der Position Röhrenhals nach unten.

Wenn der Verarbeitungshinweis für Röhren darauf hinweist, daß als Konsequenz einer Beschädigung der Röhre Unfallgefahr besteht, die das Risiko der Verletzung von Personen nicht ausschließt, dann wird empfohlen schützende Kleidung zu tragen, insbesondere eine Schutzbrille.

In diesem Zusammenhang wird auf das von der "Berufsgenossenschaft Feinmechanik und Elektrotechnik" herausgegebene "*Merksblatt über den Umgang mit Bildröhren*" hingewiesen.

Die Befestigungswinkel, falls vorhanden, dienen der Röhrenmontage im Gehäuse. Sie dürfen nicht übermäßig beansprucht werden. Entsprechende Schutzmaßnahmen sind vorzusehen, wenn die Möglichkeit eines Unfalls, hervorgerufen durch Fehlfunktion eines oder mehrerer Haltewinkel, besteht.

HOCHSPANNUNG

Es wird darauf hingewiesen, daß am Anodenanschluß, am leitenden Außenbelag und am Spannband der Röhre ohne ausreichende Erdung sehr hohe Spannungen anliegen können, auch wenn die Röhre bereits aus dem Gerät ausgebaut wurde. Vor dem Berühren der Röhre ist daher eine Entladung der Röhrenkapazität vorzunehmen. Dies geschieht durch eine Verbindung über einen Widerstand $>10\text{ k}\Omega$ mit genügender Spannungsfestigkeit.

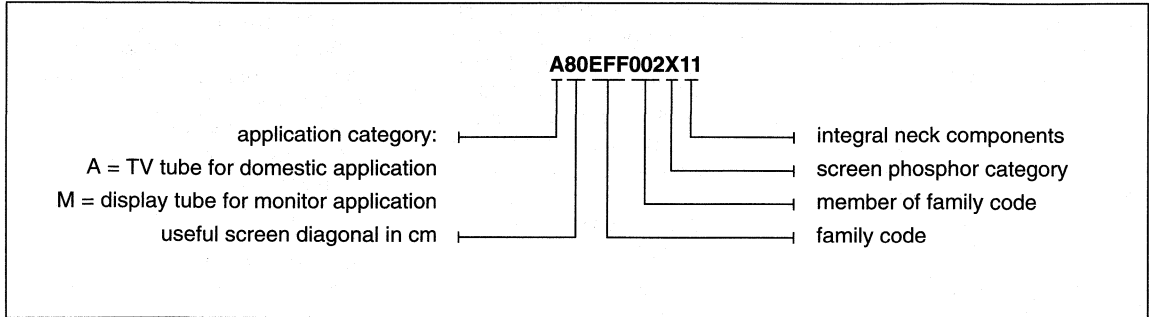
In Schaltungen, die es erlauben das Chassis direkt mit dem Netz zu verbinden, d.h. keine Netztrennung haben, ist das Risiko eines elektrischen Schlages gegeben, wenn das metallische Spannband an der Frontseite des Equipments zugänglich ist. Es wird daher empfohlen einen $2\text{ M}\Omega$ -Widerstand,

genügender Spannungsfestigkeit (spezifiziert in "*IEC 65, Absatz 14.1*") zur Entladung der Spitzenspannungen zwischen der Metallrahmenverstärkung und dem Kontaktpunkt mit dem leitenden Außenbelag einzuschalten. Eine merkliche Kapazität besteht zwischen der Metallrahmenverstärkung und dem inneren leitenden Belag der Röhre. Im Falle eines Spannungsüberschlages, wird Hochspannung auf das Spannband induziert. Zum Schutz gegen induzierte Spannungen bei Hochspannungsüberschlägen wird empfohlen, einen Kondensator mit einer Kapazität von einigen nF (Hochspannungsfestigkeit und kleine Induktivität entsprechend "*IEC 65, Absatz 14.2*") zwischen dem Spannband und dem Kontaktpunkt des äußeren leitenden Außenbelages einzufügen.

TYPE DESIGNATION

Worldwide type designation system.

Integrated picture tube coil assembly



Kelly chart

General

CHROMATICITY DIAGRAM

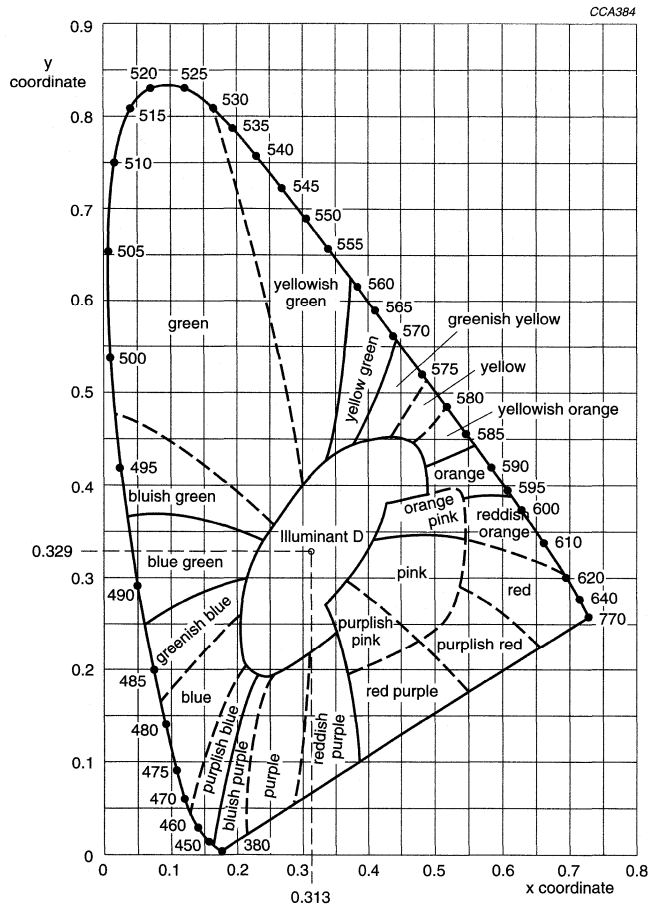


Fig.1 Kelly chart.

COLOUR TV PICTURE TUBES AND ASSEMBLIES

	Page
Survey	33
Product data	35

Colour TV picture tubes and assemblies

Survey

BASIC TUBE	TUBE ASSEMBLY	PAGE
A34EAC01X		35
	A34EAC01X06	59
	A34EAC01X13	63
	A34EAC01X46	67
A41EAM40X		71
	A41EAM40X01	92
	A41EAM40X14	96
A51EAL135X		100
	A51EAL135X01	124
	A51EAL135X13	129
A51EAL155X		134
	A51EAL155X01	158
	A51EAL155X10	163
	A51EAL155X13	168
	A51EAL155X47	173
A51EHE175X		178
	A51EHE175X50	202
A59EAK071X		207
	A59EAK071X01	229
	A59EAK071X11	232
	A59EAK071X21	235
	A59EAK071X44	238
	A59EAK071X54	241
A59EAK552X		244
	A59EAK552X01	266
	A59EAK552X11	269
	A59EAK552X21	272
	A59EAK552X44	275
	A59EAK552X54	278
A59ESF002X		281
	A59ESF002X11	305
	A59ESF002X43	308

BASIC TUBE	TUBE ASSEMBLY	PAGE
A66EAK071X		311
	A66EAK071X01	333
	A66EAK071X11	336
	A66EAK071X21	339
	A66EAK071X44	342
	A66EAK071X54	345
A66EAK552X		348
	A66EAK552X01	370
	A66EAK552X11	373
	A66EAK552X21	376
	A66EAK552X44	379
	A66EAK552X54	382
A68ESF002X		385
	A68ESF002X011	406
	A68ESF002X043	410
A80EFF002X		414
	A80EFF002X11	437
	A80EFF002X43	440
W56ECK001X		443
	W56ECK001X03	465
W56ESF002X		469
	W56ESF002X03	491
	W56ESF002X04	495
	W56ESF002X44	499
W66ESF002X		503
	W66ESF002X13	525
	W66ESF002X14	529
	W66ESF002X44	533
W76ESF031X		537
	W76ESF031X13	558
	W76ESF031X14	562
	W76ESF031X44	566

Hi-Bri colour picture tube**A34EAC01X****FEATURES**

- In-line, thermally stable, hi-bi potential gun
- Hi-Bri technology
- Cd-free phosphors
 - Pigmented deep red
 - Sulphide green
 - Pigmented sulphide blue
- Slotted shadow mask optimized for minimum moiré
- Fine pitch over entire screen
- Phosphor lines follow glass contour
- Quick-heating low-power cathodes
- Soft-flash technology
- Internal magnetic shield
- Reinforced envelope for push-through mounting
- When combined with an appropriate hybrid saddle toroidal deflection unit (e.g. AT1625) it forms a self-converging and raster correction-free assembly.

QUICK REFERENCE DATA

PARAMETER	TYP.	UNIT
Deflection angle	90	deg
Face diagonal	34	cm
Overall length	334	mm
Glass transmission	46	%
Neck diameter	22.9	mm
Heater voltage	6.15	V
Heater current	310	mA
Anode voltage	23	kV
Focus voltage	28% of anode voltage	
Mass	≈6	kg

Hi-Bri colour picture tube

A34EAC01X

ELECTRICAL DATA

SYMBOL	PARAMETER	MIN.	TYP.	UNIT
Capacitances				
$C_{a(m+m')}$	anode to external conductive coating, including rimband	800	–	pF
C_{g1}	grid 1 to all other electrodes	–	15	pF
C_{kR}, C_{kG}, C_{kB}	cathode of each gun to all other electrodes	–	4	pF
C_{g3}	focus electrode to all other electrodes	–	4	pF
Heating (indirect by AC or DC)				
V_f	heater voltage	–	6.15	V
I_f	heater current	–	310	mA

ELECTRO-OPTICAL DATA

PARAMETER	VALUE
Electron gun system	unitized triple-aperture electrodes
Focus method	electrostatic
Focus lens	hi-bi potential
Deflection method	magnetic
Deflection angles	
diagonal	≈90°
horizontal	≈78°
vertical	≈60°

Hi-Bri colour picture tube

A34EAC01X

OPTICAL DATA

PARAMETER	VALUE
Screen	metal-backed vertical phosphor stripes; phosphor lines follow glass contour
Screen finish	high gloss
Useful screen dimensions	
diagonal	>336.9 mm
horizontal axis	>283.8 mm
vertical axis	>213.8 mm
area	>580 cm ²
Positional accuracy of the screen with respect to the glass contour	see Fig.1
Phosphors	
red	pigmented europium activated rare earth
green	Cd-free sulphide type
blue	pigmented sulphide type
Centre-to-centre distance of identical colour phosphor stripes, measured at screen centre	≈0.65 mm
Light transmission of face glass at screen centre	46%
Luminance at screen centre; note 1	77 cd/m ²

Note

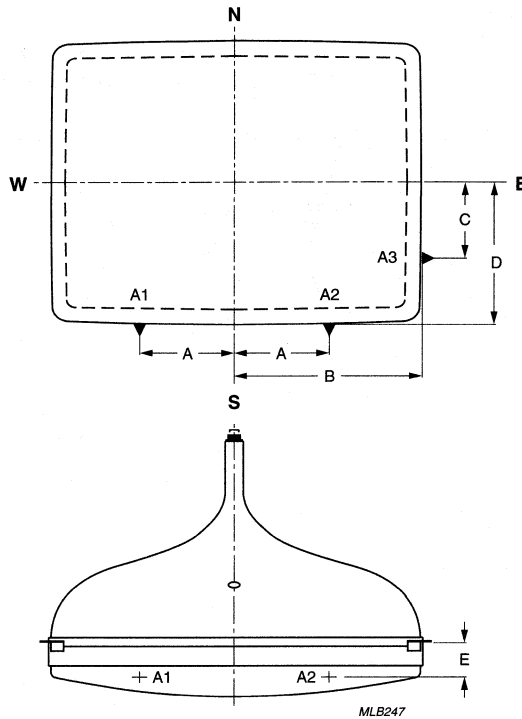
1. Tube settings to produce white D ($x = 0.313$, $y = 0.329$), focused raster, current density = $0.4 \mu\text{A}/\text{cm}^2$.

Colour coordinates

COLOUR	x	y
Red	0.630	0.330
Green	0.295	0.595
Blue	0.155	0.065

Hi-Bri colour picture tube

A34EAC01X



A = 113 mm.
 B = 154.8 mm.
 C = 76 mm.
 D = 118.6 mm.
 E = 28.5 mm.

Fig.1 Tube alignment.

MECHANICAL DATA

See also Figs 2 to 11.

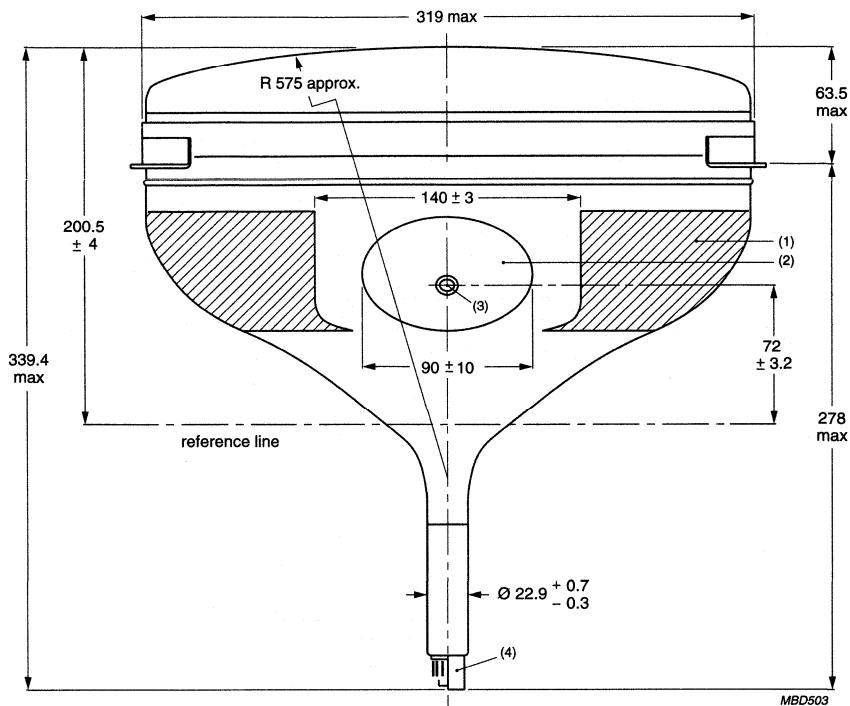
PARAMETER	VALUE
Overall length	334.4 ±5 mm
Neck diameter; note 1	22.9 +0.7/-0.3 mm
Bulb dimensions	
diagonal	<368 mm
width	<317 mm
height	<248 mm
Base	JEDEC B8-294
Anode contact	small cavity contact J1-21, IEC 67-III-2
Mounting position	anode contact on top
Mass	≈6 kg

Note

1. In the region of 66 mm from the neck end, the maximum diameter is 23.6 mm.

Hi-Bri colour picture tube

A34EAC01X



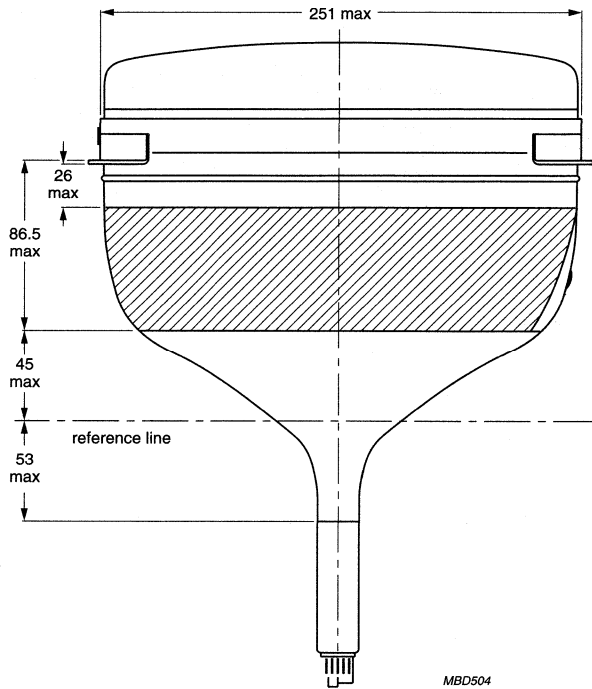
Dimensions in mm.

- (1) The configuration of the outer conductive coating may differ, but will contain the contact area as shown in the drawing.
- (2) To clean this area, wipe with a soft lint-free cloth.
- (3) Small cavity contact J1-21, IEC 67-III-2.
- (4) The socket for this base should not be rigidly mounted. It should have flexible leads and should be allowed to move freely. After mounting the tube in the cabinet, note that the position of the base can fall within a circle having a diameter of maximum 30 mm concentric with an imaginary tube axis.

Fig.2 Tube dimensions; top view.

Hi-Bri colour picture tube

A34EAC01X

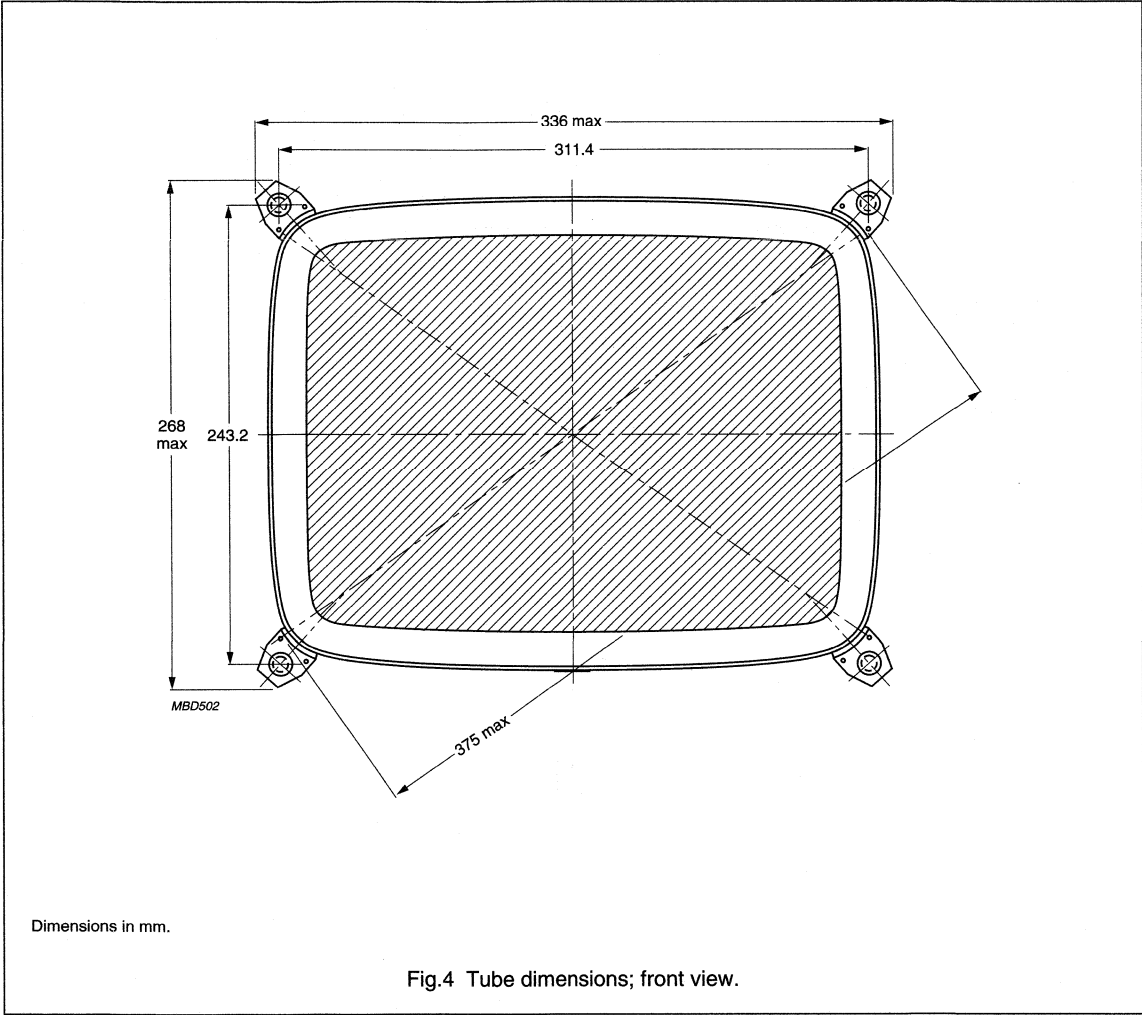


Dimensions in mm.

Fig.3 Tube dimensions; side view.

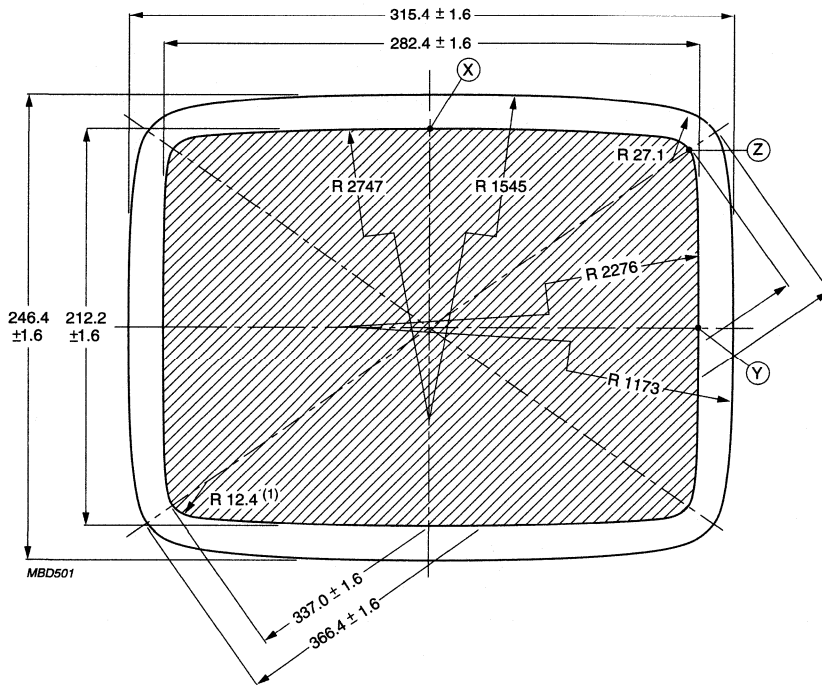
Hi-Bri colour picture tube

A34EAC01X



Hi-Bri colour picture tube

A34EAC01X



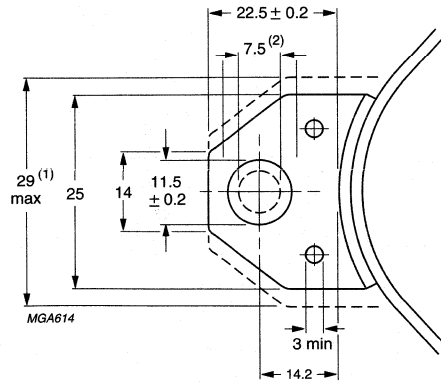
Dimensions in mm.

(1) Coordinates for $R = 12.4$ mm: $X = 126.98$ mm; $Y = 90.76$ mm.

Fig.5 Phosphor and screen dimensions.

Hi-Bri colour picture tube

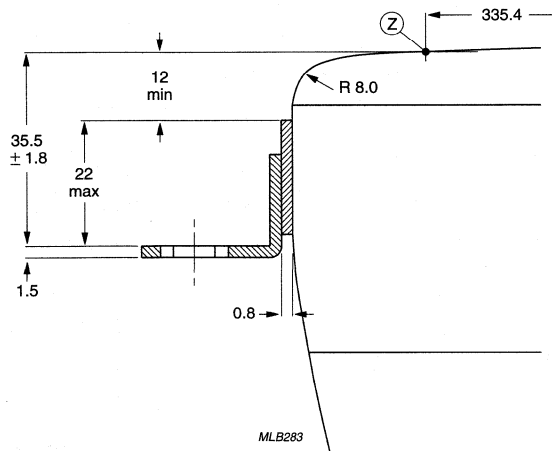
A34EAC01X



Dimensions in mm.

- (1) The position of the mounting screw in the cabinet must be within a circle of 7.5 mm diameter drawn around the true geometrical positions (i.e. the corners of a rectangle measuring 311.4 mm × 243.2 mm).
- (2) Minimum space to be reserved for mounting lug.

Fig.6 Lug dimensions.



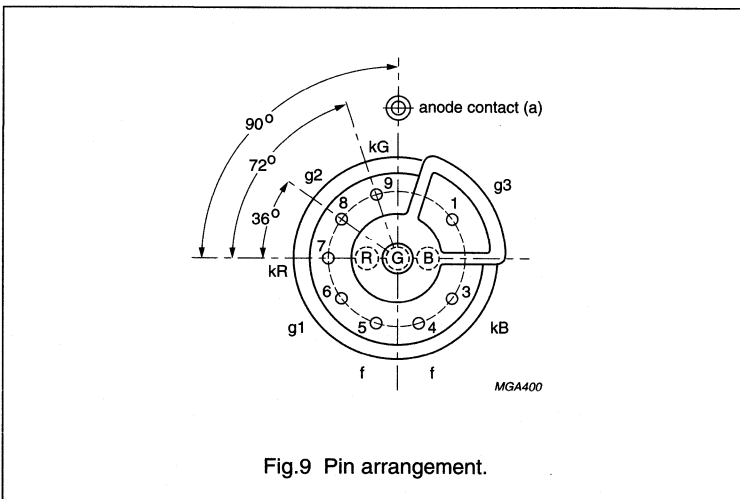
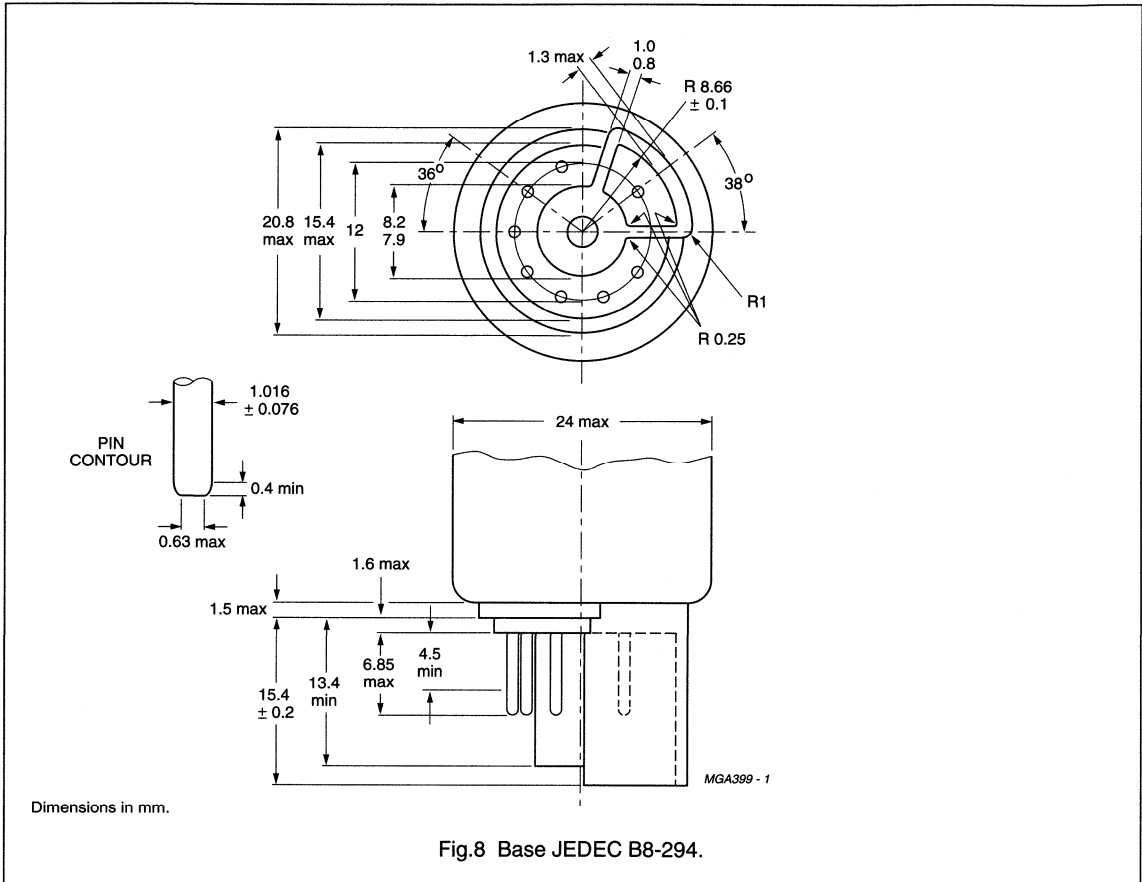
Dimensions in mm.

The displacement of any lug with respect to the plane through the other three lugs is maximum 1.5 mm. This deviation is incorporated in the tolerance of ±1.8 mm.

Fig.7 Lug position.

Hi-Bri colour picture tube

A34EAC01X



Remarks: to Figs 8 and 9.

The socket for this base should not be rigidly mounted, it should have flexible leads and be allowed to move freely. After mounting the tube in the cabinet, note that the position of the base can fall within a circle, having a diameter of max. 30 mm concentric with an imaginary tube axis.

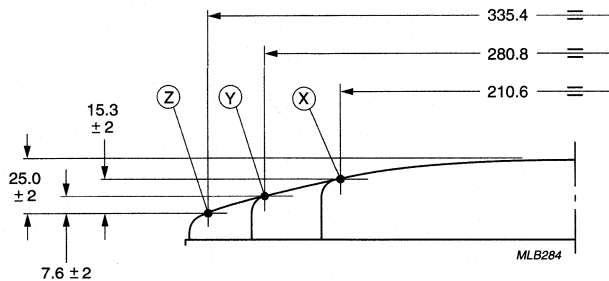
The mass of the mounting socket assembly should not exceed 150 g.

Maximum permissible torque on the tube neck is 0.04 Nm.

Hi-Bri colour picture tube

A34EAC01X

Sagittal heights



Dimensions in mm.

The X, Y and Z reference points are located on the outside surface of the face plate at the intersection of the minor, major and diagonal screen axis respectively, with the minimum published screen.

Fig.10 Screen reference points.

Hi-Bri colour picture tube

A34EAC01X

Sagittal heights with reference to the end of the diagonal axis

NOMINAL USEFUL SCREEN (NUS)		3 mm INSIDE NUS				5 mm OUTSIDE NUS		
COORDINATES		SAGITTAL HEIGHT (mm)	COORDINATES		SAGITTAL HEIGHT (mm)	COORDINATES		SAGITTAL HEIGHT (mm)
X (mm)	Y (mm)		X (mm)	Y (mm)		X (mm)	Y (mm)	
0.0	0.0	25.2	0.0	0.0	25.3	0.0	0.0	28.7
0.0 ⁽¹⁾	106.1	15.4	0.0	103.1	16.0	0.0	111.1	17.9
10.0	106.1	15.3	10.0	103.1	15.9	10.0	111.1	17.8
20.0	106.0	15.0	20.0	103.0	15.6	20.0	111.0	17.5
30.0	105.9	14.6	30.0	102.9	15.2	30.0	110.9	17.1
40.0	105.8	14.0	40.0	102.8	14.6	40.0	110.8	16.5
50.0	105.7	13.2	50.0	102.7	13.9	50.0	110.7	15.7
60.0	105.5	12.3	60.0	102.5	12.9	60.0	110.5	14.8
70.0	105.2	11.2	70.0	102.2	11.8	70.0	110.2	13.7
80.0	104.9	9.9	80.0	101.9	10.5	80.0	110.0	12.4
90.0	104.6	8.4	90.0	101.6	9.1	90.0	109.6	10.9
100.0	104.3	6.8	100.0	101.3	7.4	100.0	109.3	9.3
110.0	103.9	5.0	110.0	100.9	5.6	110.0	108.9	7.5
120.0	103.5	3.0	120.0	100.5	3.6	120.0	108.5	5.5
127.6	103.2	1.3	130.0	100.0	1.4	130.0	108.1	3.3
137.1 ⁽²⁾	98.0	0.0	136.0	99.8	0.0	140.0	107.6	0.9
139.4	91.2	0.6	–	–	–	143.7	107.4	0.0
–	–	–	–	–	–	144.0	100.0	1.3
139.4	90.0	0.8	136.4	90.0	1.6	144.5	90.0	2.9
139.8	80.0	2.2	136.8	80.0	3.0	144.8	80.0	4.4
140.1	70.0	3.5	137.1	70.0	4.3	145.1	70.0	5.7
140.4	60.0	4.6	137.4	60.0	5.4	145.4	60.0	6.8
140.7	50.0	5.5	137.7	50.0	6.3	145.7	50.0	7.7
140.9	40.0	6.3	137.9	40.0	7.1	145.9	40.0	8.5
141.0	30.0	6.9	138.0	30.0	7.7	146.0	30.0	9.0
141.1	20.0	7.3	138.1	20.0	8.1	146.1	20.0	9.5
141.2	10.0	7.6	138.2	10.0	8.4	146.2	10.0	9.7
141.2 ⁽³⁾	0.0	7.6	138.2	0.0	8.5	146.2	0.0	9.8

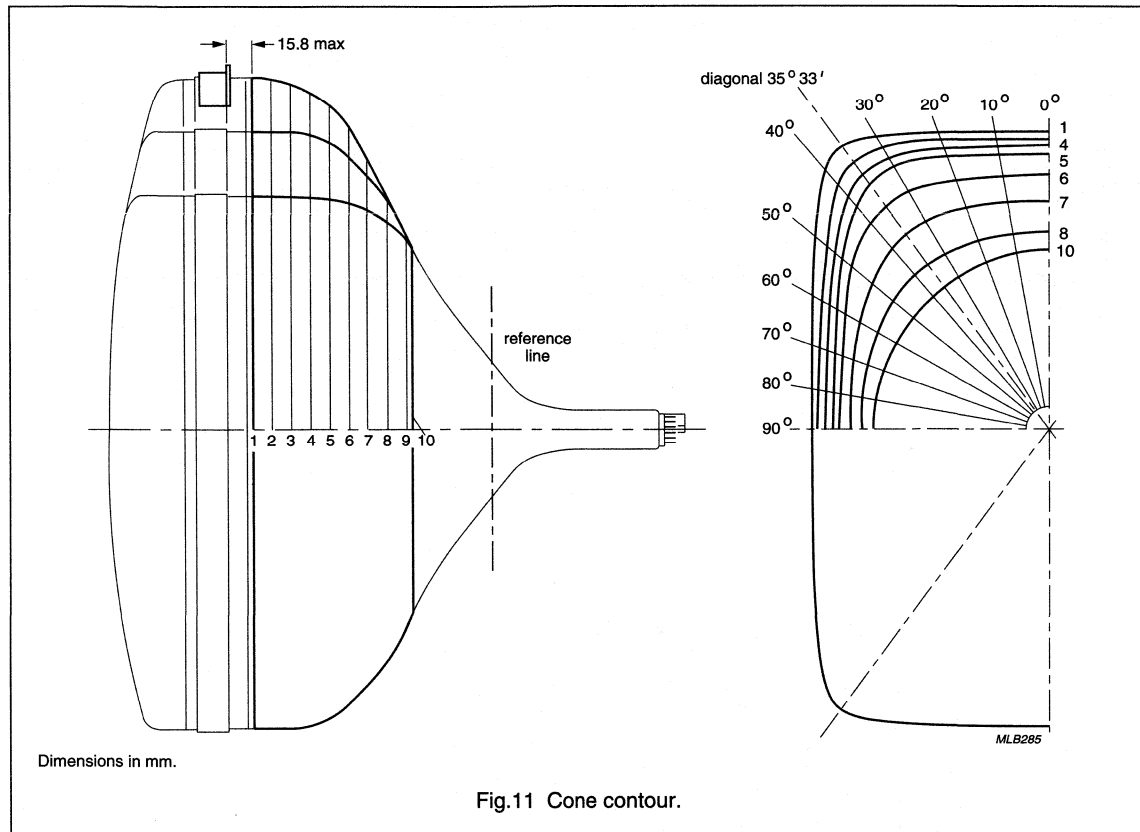
Notes

1. End of short axis.
2. End of diagonal axis.
3. End of long axis.

Hi-Bri colour picture tube

A34EAC01X

Cone contour



Cone contour data

SECTION	NOMINAL DISTANCE FROM SECTION 1 (mm)	MAXIMUM DISTANCE FROM TUBE AXIS (mm)										
		0°	10°	20°	30°	35°33'	40°	50°	60°	70°	80°	90°
1	0	160.3	162.5	169.4	181.6	186.7	183.8	160.1	143.3	133.0	127.3	125.5
2	10	159.5	161.6	168.3	180.1	185.3	181.8	158.7	142.5	132.3	126.8	125.0
3	20	156.4	158.3	164.2	173.8	177.7	174.5	155.0	140.1	130.5	125.2	123.5
4	30	149.9	151.5	156.0	162.7	165.1	163.5	149.3	136.1	127.3	122.3	120.7
5	40	141.3	142.6	146.2	150.3	150.8	149.2	140.1	130.0	122.6	118.3	116.9
6	50	131.1	132.2	134.5	136.4	136.4	135.4	130.4	123.4	117.4	113.7	112.4
7	60	119.0	119.7	120.9	121.9	121.9	121.5	119.2	115.3	111.2	108.2	107.1
8	70	105.7	105.9	106.5	107.0	107.0	107.0	106.2	104.7	102.7	100.9	100.0
9	80	91.6	91.6	91.7	91.8	91.9	91.9	91.7	91.5	91.1	90.7	90.5
10	82	88.6	88.7	88.7	88.8	88.8	88.7	88.6	88.5	88.3	88.2	88.1

Hi-Bri colour picture tube

A34EAC01X

HANDLING

During shipment and handling, the tube should not be subjected to accelerations greater than 350 m/s² in any direction (at pulse ≤ 10 ms).

OPERATING DATA

Voltages are specified with respect to grid 1.

SYMBOL	PARAMETER	CONDITIONS	MIN.	TYP.	MAX.	UNIT
$V_{a,g4}$	anode voltage		–	23	–	kV
V_{g3}	grid 3 (focus electrode) voltage		5.9	–	6.9	kV
V_{g2}	grid 2 voltage	for spot cut-off voltage $V_k = 120$ V	310	–	630	V
V_f	heater voltage	tube operating	–	6.15	–	V

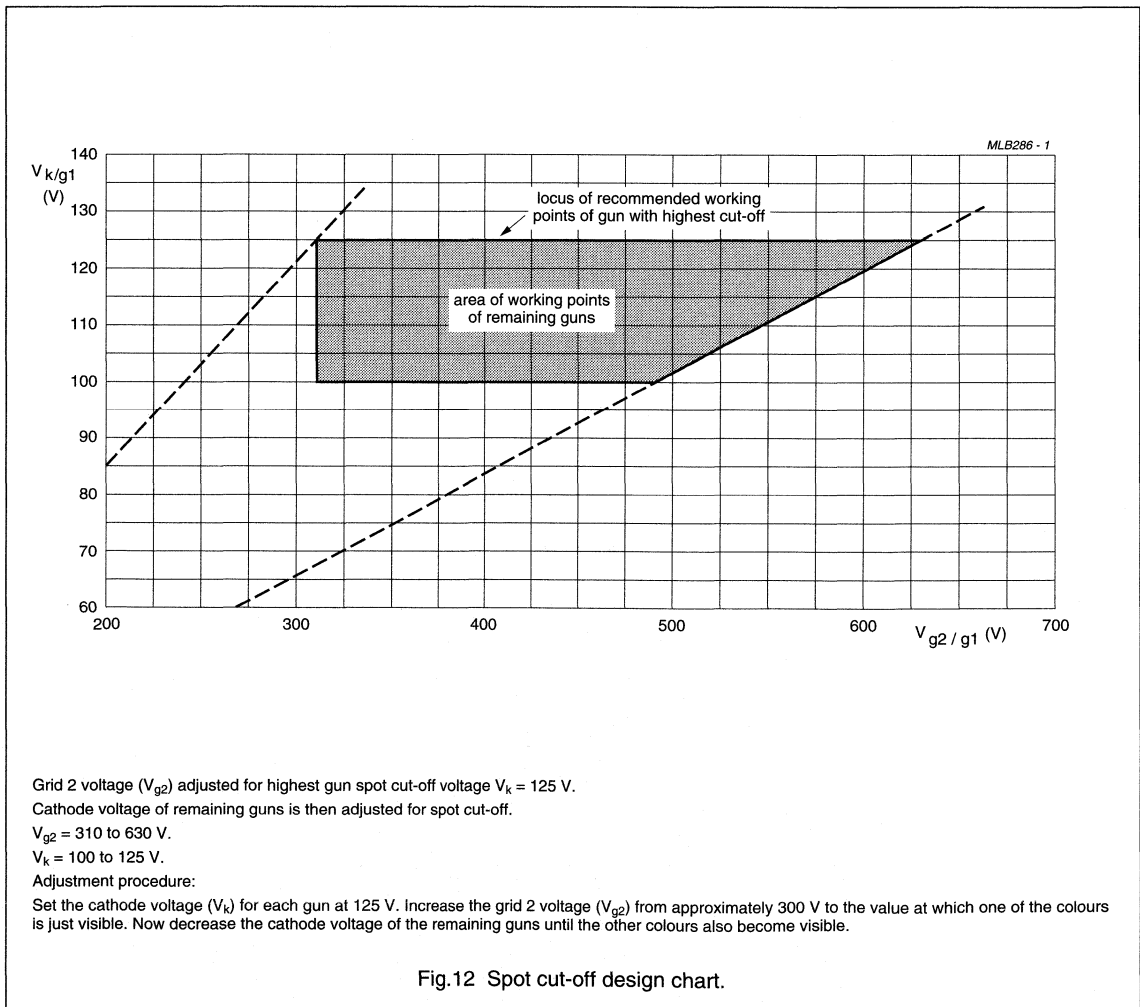


Fig.12 Spot cut-off design chart.

Hi-Bri colour picture tube

A34EAC01X

CHASSIS DESIGN VALUES

Voltages are specified with respect to grid 1. The values are valid for anode voltages between 20 and 27.5 kV.

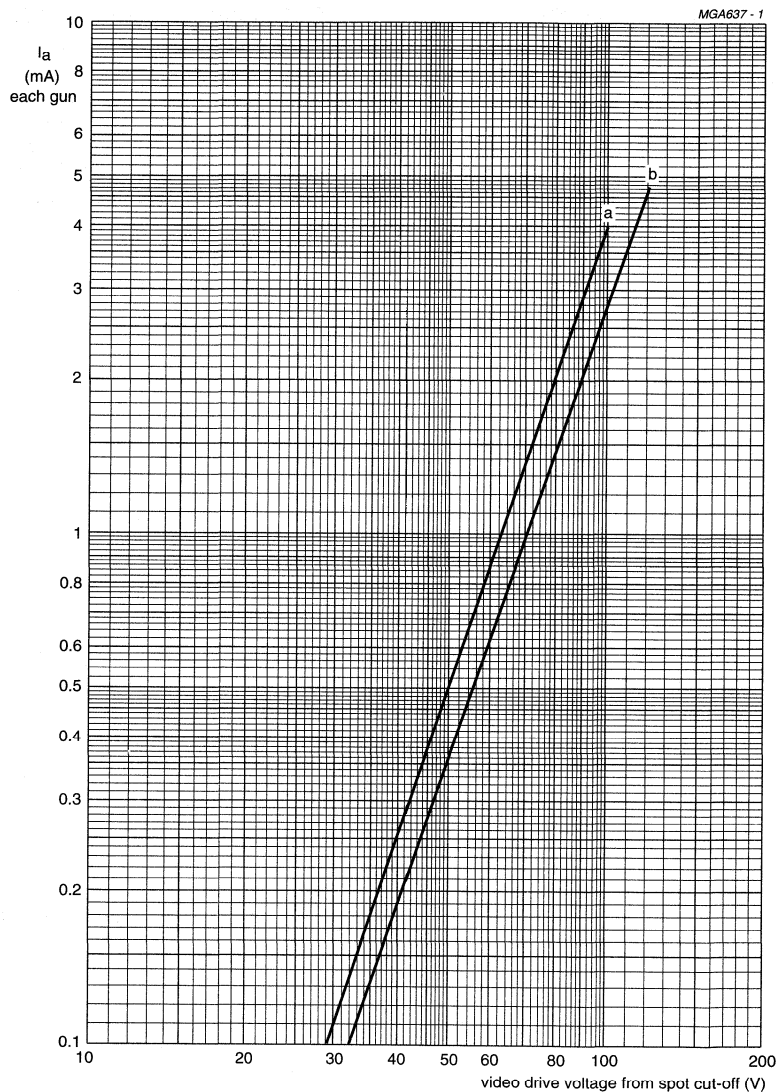
SYMBOL	PARAMETER	CONDITIONS	MIN.	TYP.	MAX.	UNIT
V_{g3}	grid 3 focus voltage as a percentage of anode voltage		25.6	–	29.8	%
V_{g2} and V_k	grid 2 and cathode voltages	for visual extinction of focused spot	see Fig.12			
ΔV_k	difference in cut-off voltage between guns in any tube		lowest value min. 80% of highest value			
V_f	heater voltage	at zero beam current	–	6.15	–	V
	video drive characteristics		note 1 and Fig.13			
I_{g3}	grid 3 (focus electrode) current		–2	–	2	μA
I_{g2}	grid 2 current		–2	–	2	μA
I_{g1}	grid 1 current	at cut-off	–2	–	2	μA
Anode currents to produce white of 5600 K + 7 MPCD (CIE coordinates $x = 0.313$; $y = 0.329$)						
PERCENTAGE OF THE TOTAL ANODE CURRENT SUPPLIED BY EACH GUN (TYPICAL)						
	red gun		–	41.3	–	%
	green gun		–	34.4	–	%
	blue gun		–	24.3	–	%
RATIO OF ANODE CURRENTS						
	red gun to green gun		0.85	1.20	1.55	
	red gun to blue gun		1.20	1.70	2.20	
	blue gun to green gun		0.40	0.70	1.00	

Note

- For optimum picture performance it is recommended that the cathodes are not driven below +10 V with respect to grid 1.

Hi-Bri colour picture tube

A34EAC01X



$V_f = 6.15$ V.

$V_{a,g4} = 23$ kV.

V_{g3} adjusted for focus.

V_{g2} (each gun) adjusted to provide spot cut-off for $V_k = 100$ V (curve a), $V_k = 125$ V (curve b).

Fig.13 Typical cathode voltage drive characteristics.

Hi-Bri colour picture tube

A34EAC01X

LIMITING VALUES

In accordance with the Absolute Maximum Rating System (IEC 134). The voltages are specified with respect to grid 1.

SYMBOL	PARAMETER	CONDITIONS	MIN.	MAX.	UNIT
$V_{a,g4}$	anode voltage	notes 1, 2 and 3	20	27.5	kV
I_a	long-term average current for three guns	note 4	–	750	μ A
V_{g3}	grid 3 (focus electrode) voltage		–	11	kV
V_{g2p}	grid 2 voltage (peak value)		–	1.0	kV
V_f	heater voltage	note 5	5.7	6.6	V
Cathode voltage					
V_k	positive		–	400	V
V_k	positive operating cut-off during adjustment		–	200	V
V_k	negative		–	0	V
V_{kp}	negative peak		–	–2	V
Cathode to heater voltage					
V_{kf}	cathode positive with respect to heater		–	200	V
V_{kfp}	peak value		–	300	V
V_{kf}	cathode negative with respect to heater		–	0	V
V_{kfp}	peak value		–	–200	V

Notes

1. Operating the tube at lower voltages will impair the luminance and resolution and could impair convergence.
2. The picture tube does not emit X-radiation above 1 μ Sv/h when operated within its absolute maximum ratings.
3. During adjustment on the production line this value is likely to be exceeded. It is therefore strongly recommended to make the initial adjustments for normal operation before installing the picture tube.
4. The short-term average anode current should be limited by circuitry to 1000 μ A.
5. For maximum cathode life and optimum performance it is recommended that the heater supply is designed for 6.15 V at average beam current, for most applications this equals 6.3 V at zero beam current.

BEAM CENTRING

4 mm maximum centring error in any direction after colour purity, static convergence and horizontal centre-line correction, measured with the deflection coils in nominal position.

Hi-Bri colour picture tube

A34EAC01X

FLASHOVER PROTECTION

The high voltages used with this tube (max. 27.5 kV) may produce internal flashovers. Soft-flash technology limits these flashover currents to approximately 60 A offering higher reliability, optimum circuit protection and component savings.

Primary protective circuitry using properly grounded spark gaps and series isolation resistors (preferably carbon composition) is still necessary

to prevent tube damage. The spark gaps should be connected to all picture tube electrodes (except the tube heaters) in accordance with Fig. 14. No other connections between the outer conductive coating and the chassis are permissible. The spark gaps should be designed for a maximum breakdown voltage at the focus electrode (g_3) of 12 kV ($1.5 \times V_{g3max}$ at $V_{a,g4} = 25$ kV), and at the other electrodes of 1.5 to 2 kV.

The values of the series isolation resistors should be as high as possible (min. 1.5 k Ω) without causing deterioration of circuit performance. The resistors should be able to withstand an instantaneous surge of 20 kV for the focus circuit and 12 kV for the remaining circuits without arcing.

Additional information is available on request.

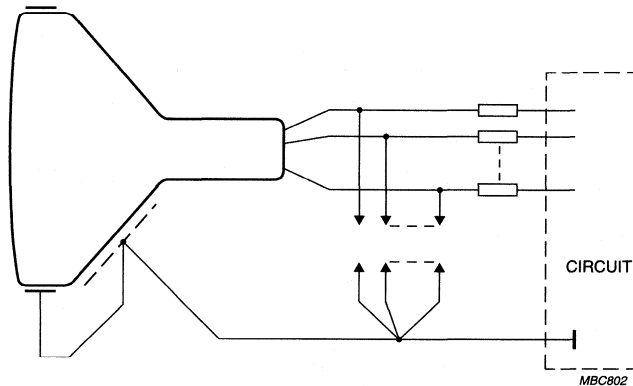


Fig.14 Flashover protection circuit.

Hi-Bri colour picture tube

A34EAC01X

X-RADIATION

Maximum anode voltage at which the X-radiation emitted will not exceed 0.5 mR/h at an anode current of 300 μ A.

PARAMETER	VALUE
Entire tube; note 1	33 kV
Face-plate only	33 kV

Note

1. This rating applies only if the anode connector used by the set maker provides the necessary attenuation to reduce the X-radiation from the anode contact by a factor equal to the difference between the anode button iso-exposure-rate limit curve and the iso-exposure-rate limit curve for the entire tube.

WARNING

If the value for the colour picture tube face only is used as a design criterion, adequate shielding must be provided in the TV receiver for the anode connector button and/or certain portions of the colour picture tube bulb and panel sidewalls to ensure that X-radiation from the TV receiver is attenuated to a value equal to or lower than that specified for the face of the colour picture tube.

Maximum voltage difference between anode and focus electrode at which the X-radiation will not exceed 0.5 mR/h is 30 kV.

If this voltage can be exceeded in the colour picture tube, additional attenuation of the X-radiation through the neck may be required.

The X-radiation emitted from this colour picture tube, as measured in accordance with the procedure of "TEPAC Publications No. 194" will not exceed 0.5 mR/h throughout the useful life of the colour picture tube when operated within the design-maximum ratings.

The colour picture tube should not be operated beyond its design-maximum ratings stated above, but its X-radiation will not exceed 0.5 mR/h for anode voltage and current combinations given by the iso-exposure-rate limit characteristics as shown in Fig.15.

Operation of the colour picture tube under abnormal conditions that exceed the 0.5 mR/h iso-exposure-rate limit characteristics as shown in Fig.15 may produce soft X-rays, which may constitute a health hazard on prolonged exposure at close range unless adequate external screening is provided. Precautions must therefore be taken during servicing of television receivers using this colour picture tube to ensure that the anode voltage and other colour picture tube voltages are adjusted to the recommended values so that the "Limiting values" are not exceeded.

Operation above the values shown by the curve may result in failure of the TV receiver to comply with the "Federal Performance Standard of the U.S. for Television Receivers, Section 1020.10 of Part 1020 of Title 21, Code of Federal Regulation (PL90-602)" as published in "Federal Register Volume 38, No. 198, Monday, October 15, 1973".

Maximum X-radiation as a function of anode voltage at 300 μ A current is shown by Fig.16. X-radiation at a constant anode voltage varies linearly with anode current.

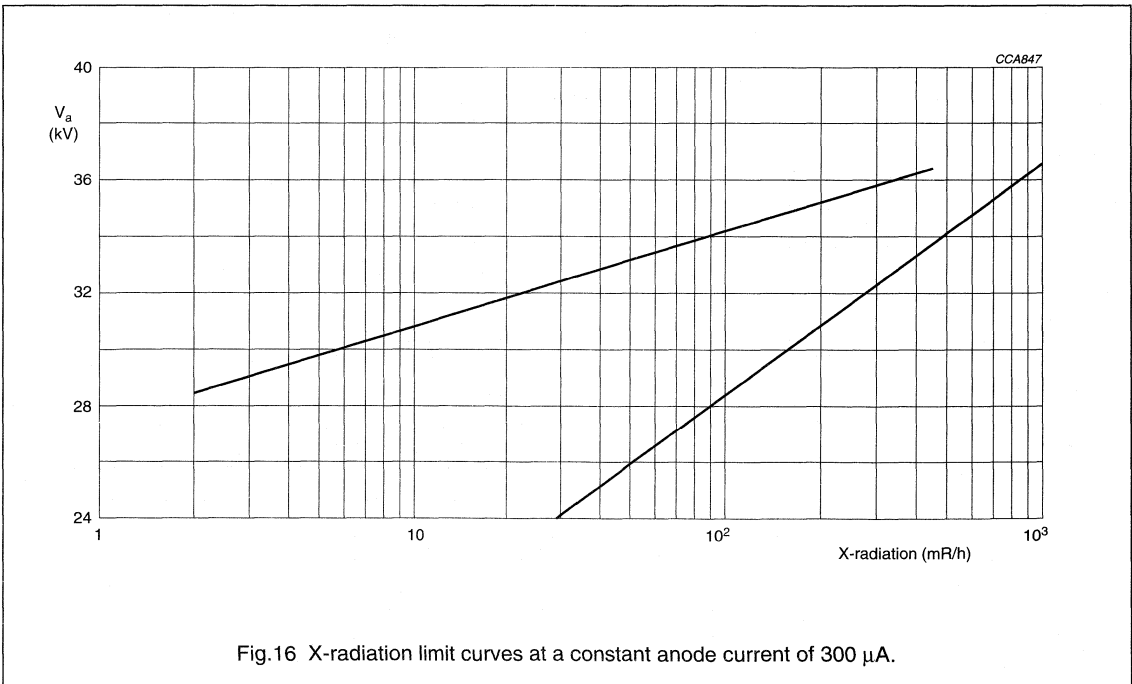
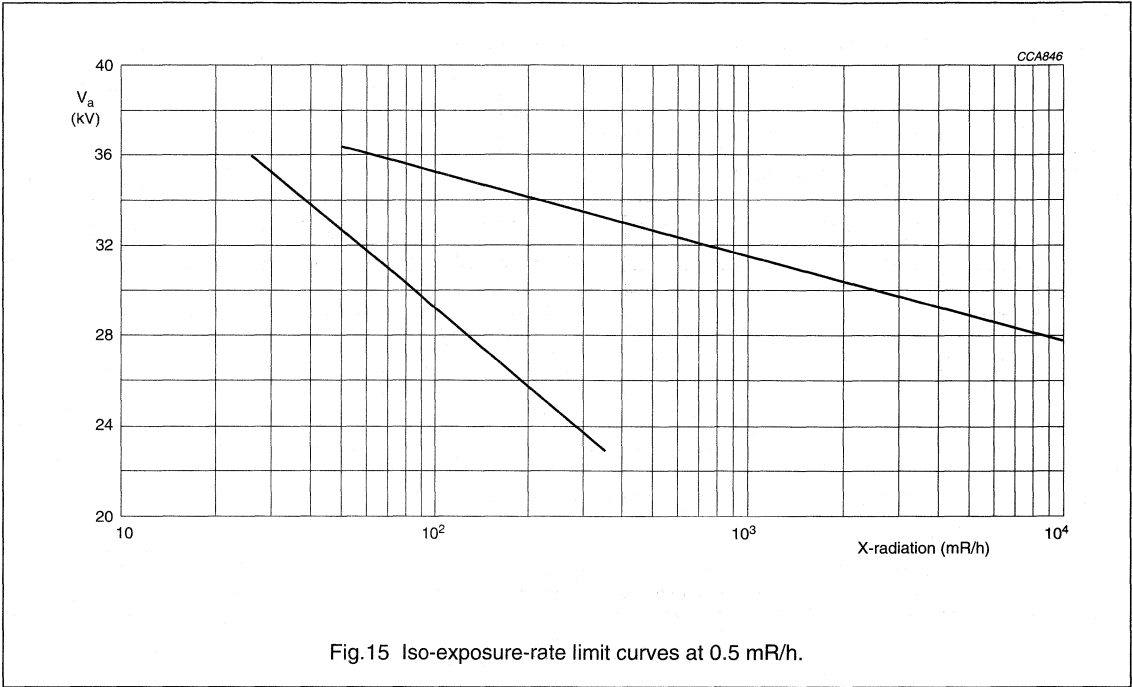
This colour picture tube incorporates integral X-radiation and implosion protection and must be replaced with a colour picture tube of the same type number or recommended replacement to assure continued safety.

WARNING

The cathode ray tube is intrinsically safe in accordance with "Appendix III Röntgenverordnung".
Eigensichere Kathodenstrahlröhre nach "Anlage III Röntgenverordnung".

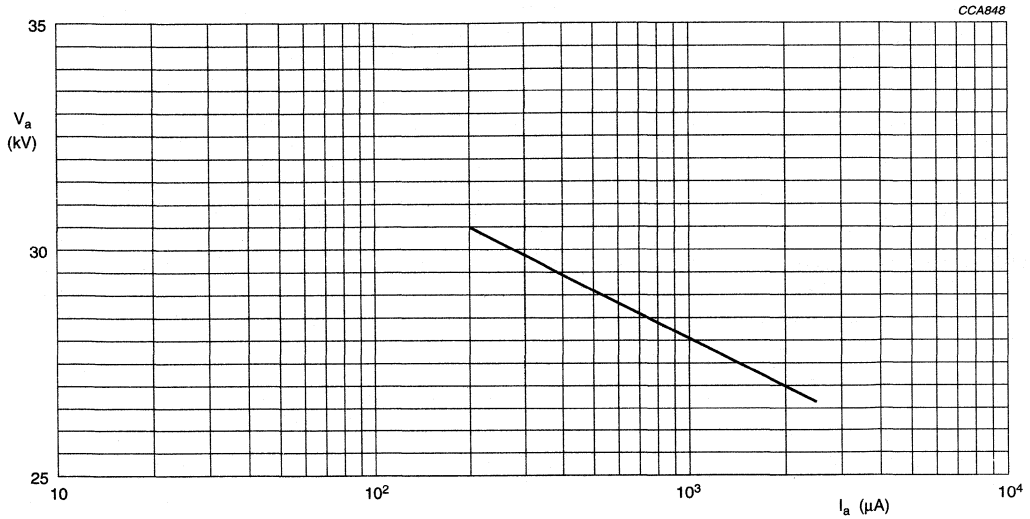
Hi-Bri colour picture tube

A34EAC01X



Hi-Bri colour picture tube

A34EAC01X



The tube does not emit X-radiation above 1 $\mu S v/h$ when operated at 33 kV and 1.8 mA. The X-radiation emitted will also not exceed 1 $\mu S v/h$ for anode voltage and current combinations shown in the iso-exposure-rate limit curve.

Fig.17 1 $\mu S v/h$ iso-exposure-rate limit curve.

Hi-Bri colour picture tube

A34EAC01X

DEGAUSSING

The picture tube has an internal magnetic shield. This shield and the shadow mask with its suspension system may be provided with an automatic degaussing system. Figure 19 shows the coil mounting method on the cone of a picture tube.

For proper degaussing an initial magnetomotive force (MMF) of 600 ampere-turns is required in the coil. The MMF is then gradually decreased with appropriate circuitry. In the steady state no significant MMF should remain in a degaussing coil (≤ 0.6 ampere-turns).

To prevent beam landing disturbances by line-frequency currents induced in a degaussing coil, the coil should be shunted by a capacitor of sufficiently high value.

If single-phase power rectification is employed in the TV circuitry, provision should be included to prevent asymmetric distortion of the AC voltage applied to the degaussing circuit due to high DC inrush currents.

Degaussing coil data

PARAMETER	110 V (AC)	220 V (AC)
Circumference	90 cm	90 cm
Number of turns	60	120
Copper wire diameter	0.45 mm	0.3 mm
Resistance	6 Ω	27 Ω
PTC thermistor	2322 662 96013	2322 662 96009

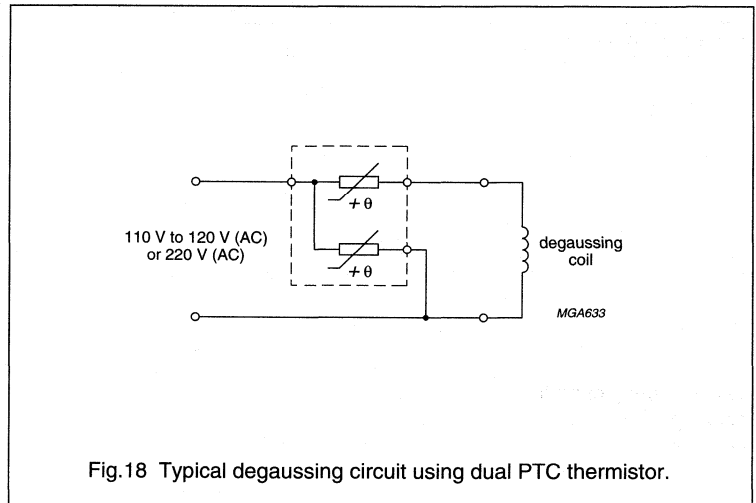


Fig.18 Typical degaussing circuit using dual PTC thermistor.

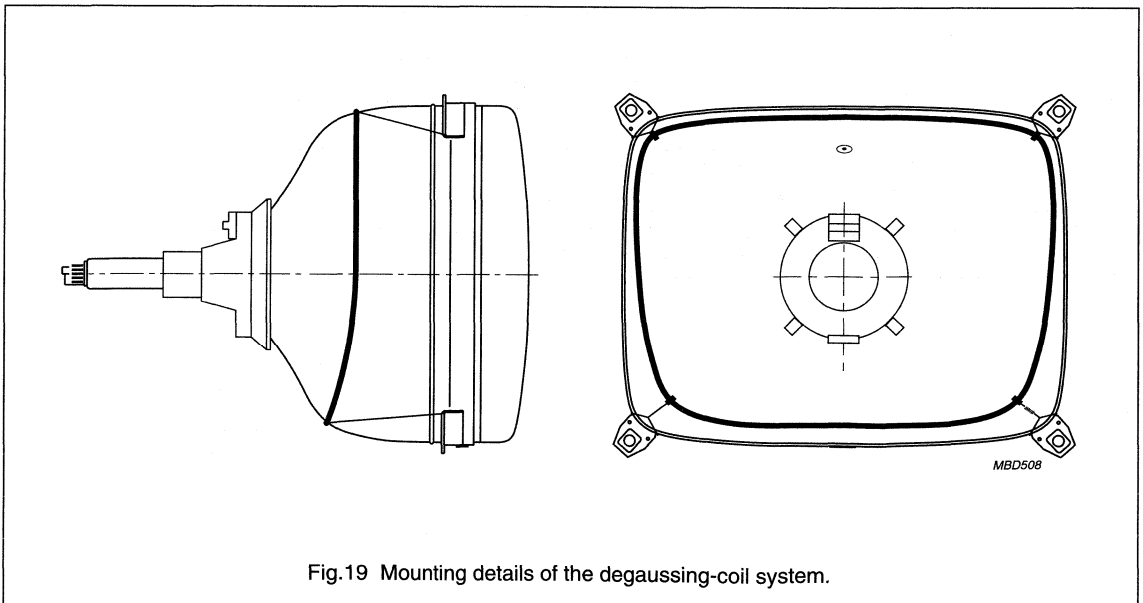


Fig.19 Mounting details of the degaussing-coil system.

Hi-Bri colour picture tube

A34EAC01X

PACKAGING

The packaging provides protection against tube damage under normal conditions of shipment or handling. Observe any instructions given on the packaging and handle accordingly. Under no circumstances should the tube assembly be subjected to accelerations greater than the values given in Table "Accelerations".

Accelerations

PARAMETER	CONDITIONS	MAX.	UNIT
Pulse in cone direction	≤10 ms	350	m/s ²
	30 ms	350	m/s ²
Pulse in all other directions	30 ms	350	m/s ²

HANDLING**WARNING**

Colour picture tubes should be kept in the shipping box or similar protective container prior to installation. Observe any instructions on the packaging and handle accordingly.

Although colour picture tubes are provided with integral implosion protection which meets the intrinsic safety requirements stipulated in the relevant part of IEC 65, care should be taken not to scratch or knock any part of the tube. Particular care should be taken to prevent damage to the seal area.

In all handling procedures prior to insertion in the cabinet, there is a risk of personal injury if severe accidental damage to the colour picture tube occurs. It is therefore recommended that in areas containing unpacked and unprotected colour picture tubes, protective clothing is worn, particularly gloves and safety glasses with side-shields to prevent possible injury from flying glass in the event of such an accident. Handle the colour picture tube with extreme care. Do not strike, scratch or subject the tube to more than moderate pressure.

The colour picture tube should never be handled by the tube neck, deflection unit or other neck components.

If suspending the tube from the mounting lugs, ensure that a **minimum of two** are used. **Under no circumstances suspend the colour picture tube from one lug.**

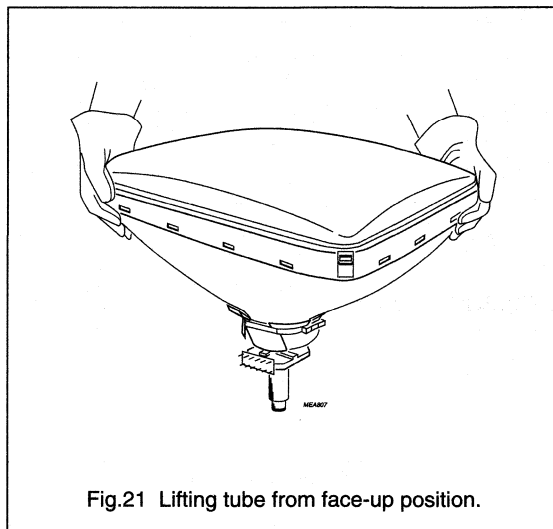
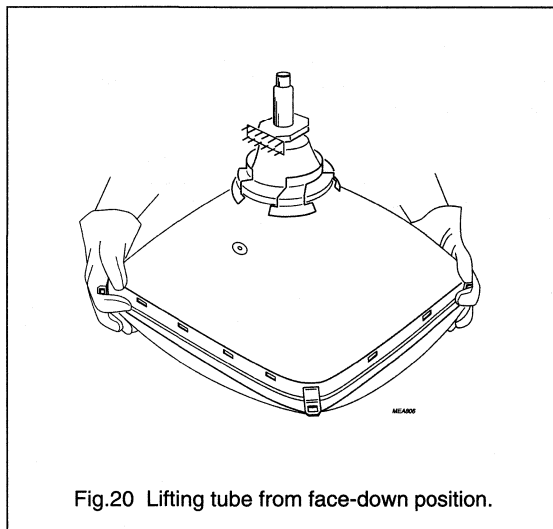
If provided, the slots in the rimband of colour picture tubes are used in the mounting of the degaussing coils. It is not recommended to suspend the colour picture tube from one or more of these slots as permanent deformation to the rimband can occur.

An alternative lifting method is to firmly grasp the assembly by the vertical sides of the rimband. Manually lifting the assembly from the face-down or face-up position is shown in Figs 20 and 21.

To protect the screen when placing the colour picture tube face-down, ensure that the colour picture tube face rests on a cushion kept free from abrasive substances.

Hi-Bri colour picture tube

A34EAC01X

**WARNING**

The high voltage at which this colour picture tube operates is very dangerous. The television set should include safeguards to prevent the user from coming in contact with the high voltage. Extreme care should be taken in servicing or adjusting any high voltage circuit. Caution must be exercised during replacing or servicing of the colour picture tube since a residual electrical charge may be held by the high voltage capacitor formed by the external and internal coatings of the colour picture tube bulb. To remove any residual charge, short the anode connector button, located in the bulb of the colour picture tube, to the external conductive coating before handling the tube. Discharging the high voltage to electrically isolated metal parts such as cabinets and control brackets may produce a shock hazard.

Colour picture tube assembly

A34EAC01X06

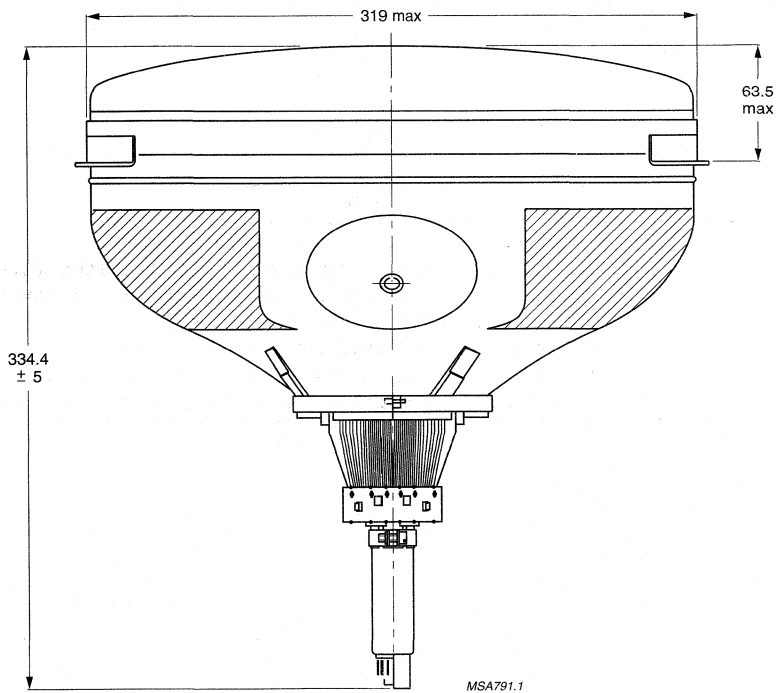
FEATURES

- Factory preset tube/coil assembly
- Self-converging and correction-free raster
- 34 cm, 90° colour picture tube AE34EAC01X
- Hybrid toroidal deflection unit AT1625/31.

QUICK REFERENCE DATA

Deflection angle	90°
Minimum useful screen diagonal	34 cm
Overall length	34 cm
Neck diameter	22.9 mm
Anode voltage	23 kV
Mass	≈7 kg

MECHANICAL DATA

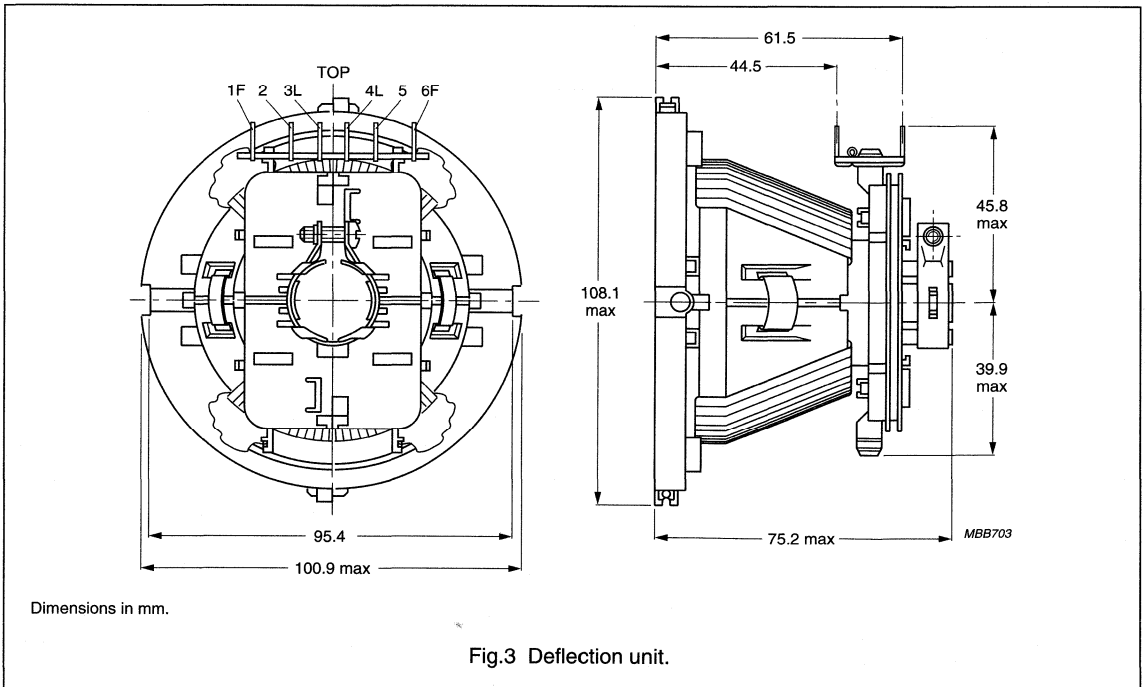
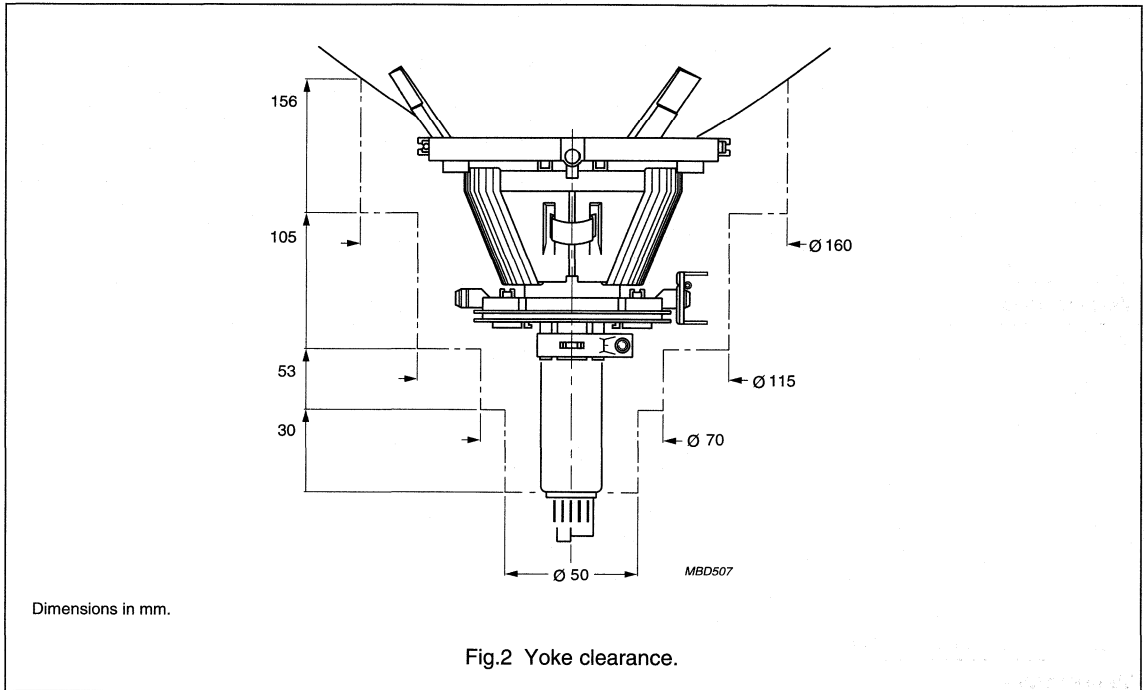


Dimensions in mm.

Fig.1 Tube assembly.

Colour picture tube assembly

A34EAC01X06



Colour picture tube assembly

A34EAC01X06

DEFLECTION COIL DATA

Voltages are specified with respect to grid 1. The values are valid for an anode voltage of 23 kV.

PARAMETER	CONDITIONS	VALUE	UNIT
Horizontal coils			
Inductance	1 V (RMS); 1 kHz	2.50 ±4%	mH
Resistance	T _{amb} = 25 °C	3.3 ±10%	Ω
Horizontal deflection current (peak-to-peak value)	edge-to-edge	2.07	A
Magnetic flux		5.2 ±2.5%	mWb
Vertical coils			
Inductance	1 V (RMS); 1 kHz	27.5 ±10%	mH
Resistance	T _{amb} = 25 °C	13.6 ±7%	Ω
Vertical deflection current (peak-to-peak value)	edge-to-edge	0.75	A
Cross-talk	10 V; 15625 Hz applied to horizontal coils	<0.2	V
Insulation			
Insulation resistance	1 kV (DC)		
between horizontal and vertical coils		>500	MΩ
between horizontal coil and core clamp		>500	MΩ
between vertical coil and core clamp		>10	MΩ
Temperature			
Maximum temperature	operating	+90	°C
Storage temperature		-25 to +90	°C
Safety			
Flame retardant		in accordance with UL1413, category 94-V1	

Colour picture tube assembly

A34EAC01X06

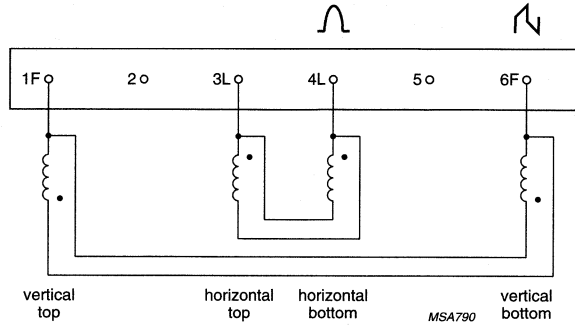


Fig.4 Electrical diagram of deflection coils.

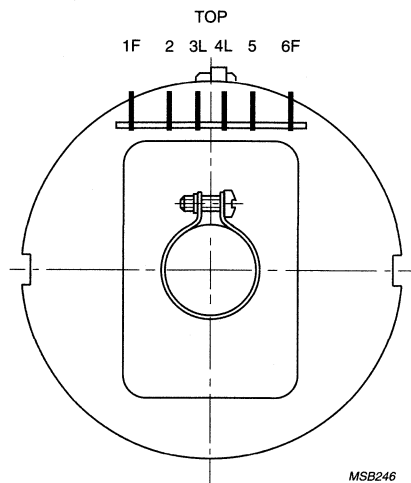


Fig.5 Terminal location.

Colour picture tube assembly

A34EAC01X13

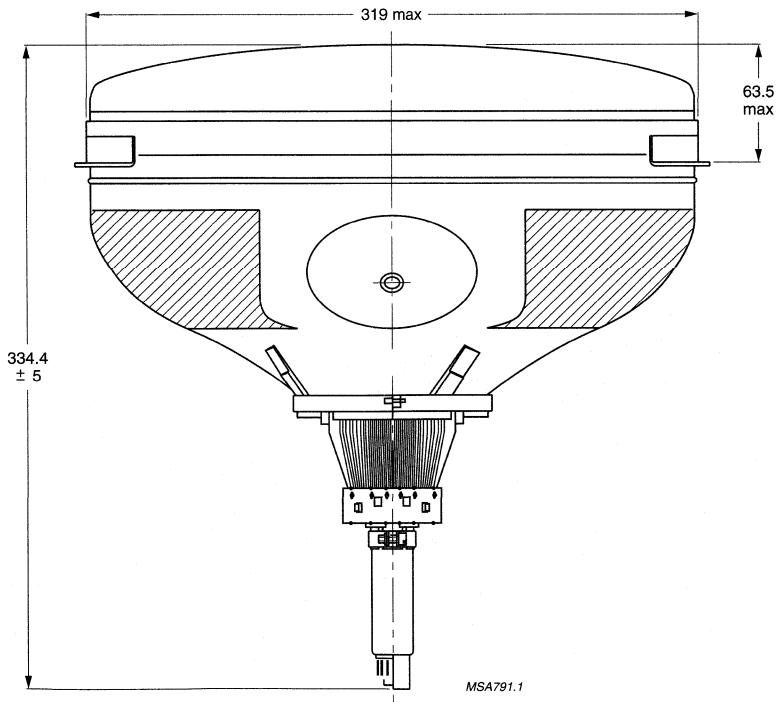
FEATURES

- Factory preset tube/coil assembly
- Self-converging and correction-free raster
- 34 cm, 90° colour picture tube A34EAC01X
- Hybrid toroidal deflection unit AT1625/13
- Picture tube coil assembly has been tested and certified by BSI to "BS415" and "IEC 65" and is covered by "Certificate number 8090".

QUICK REFERENCE DATA

PARAMETER	TYP.	UNIT
Deflection angle	90	deg
Minimum useful screen diagonal	34	cm
Overall length	34	cm
Neck diameter	22.9	mm
Anode voltage	23	kV
Mass	≈7	kg

MECHANICAL DATA

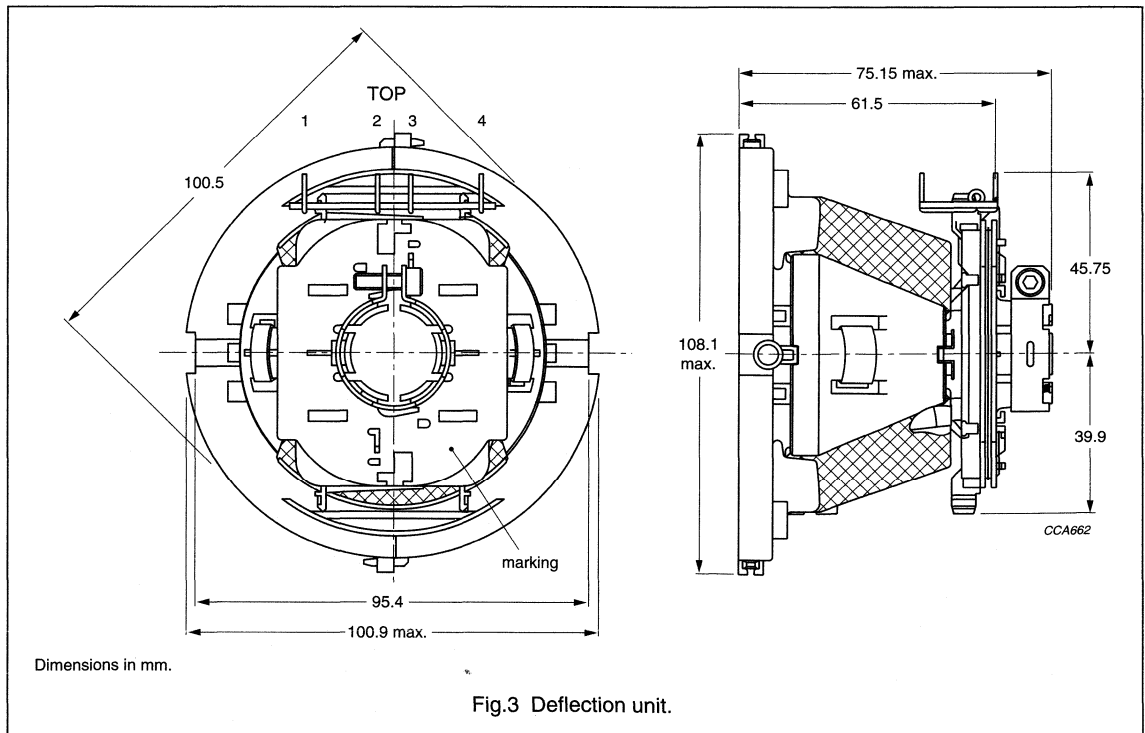
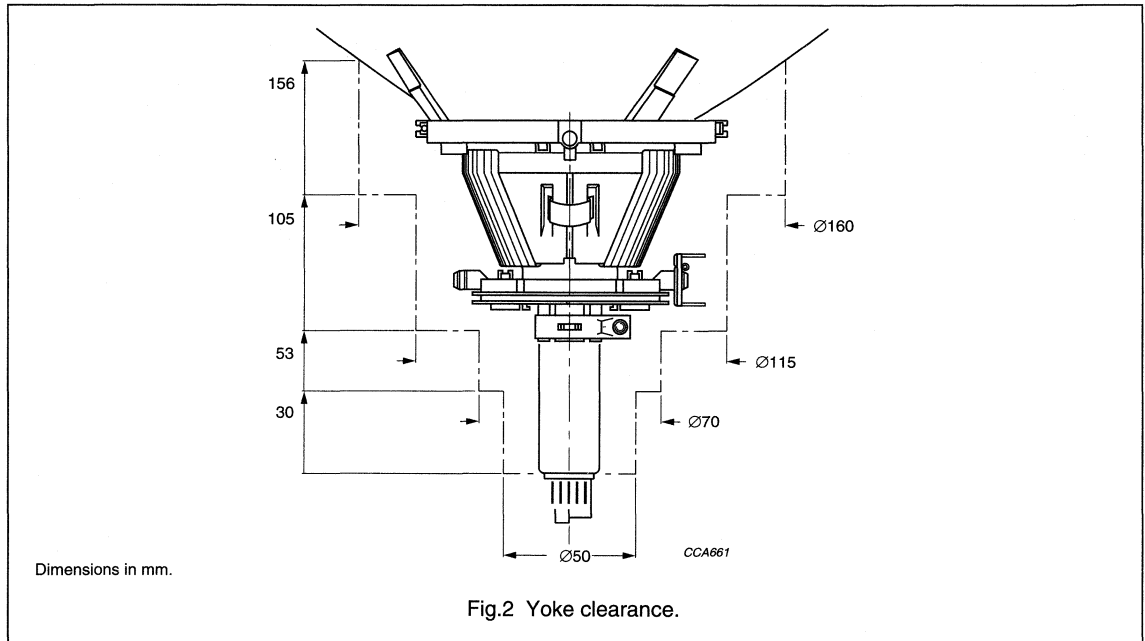


Dimensions in mm.

Fig.1 Tube assembly.

Colour picture tube assembly

A34EAC01X13



Colour picture tube assembly

A34EAC01X13

IEC REQUIREMENTS

The deflection coil is identified by a blue connection board which meets the IEC requirements.

In order to meet the IEC requirements, that the distances between the graphite layer on the picture tube and the deflection coil are maintained it is important that care is taken with the routing of the earthing straps in this area.

In order to maintain the IEC requirements this picture tube should only be replaced by a tube with the same order number.

DEFLECTION COIL DATA

Voltages are specified with respect to grid 1. The values are valid for an anode voltage of 23 kV.

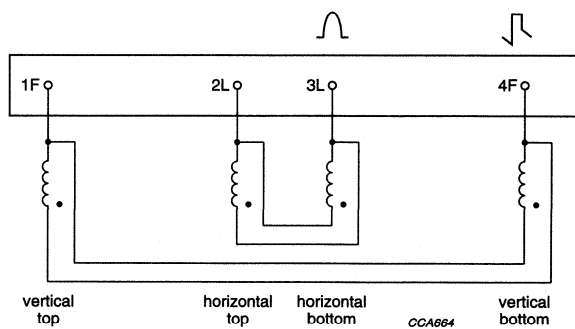
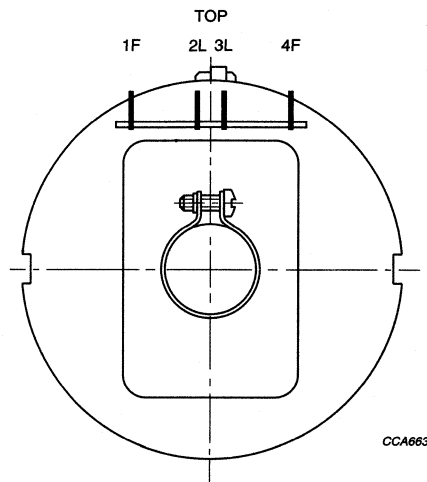
PARAMETER	CONDITIONS	MIN.	TYP.	MAX.	UNIT
Horizontal coils					
Inductance	1 V (RMS); 1 kHz	2.40	2.50	2.60	mH
Resistance	T _{amb} = 25 °C	2.97	3.30	3.63	Ω
Horizontal deflection current (peak-to-peak value)	edge-to-edge	–	2.07	–	A
Magnetic flux		5.05	5.18	5.31	mWb
Vertical coils					
Inductance	1 V (RMS); 1 kHz	24.75	27.50	30.25	mH
Resistance	T _{amb} = 25 °C	12.65	13.60	14.55	Ω
Vertical deflection current (peak-to-peak value)	edge-to-edge	–	0.75	–	A
Deflection unit					
Cross talk from horizontal to vertical coils	1 V (RMS, sine wave); 500 Hz applied to the horizontal coils	–	–	14.3	mV
Insulation resistance	1 kV (DC)				
between horizontal and vertical coils		500	–	–	MΩ
between horizontal coil and core clamp		500	–	–	MΩ
between vertical coil and core clamp		10	–	–	MΩ
Temperature					
Average copper temperature	note 1	–	–	90	°C
Storage temperature		–25	–	+90	°C
Safety					
Flame retardant		in accordance with UL1413, category 94-V1			

Note

1. Measured by the resistance method.

Colour picture tube assembly

A34EAC01X13



The beginning of the windings is indicated with •

Fig.4 Deflection coil connections.

Colour picture tube assembly

A34EAC01X46

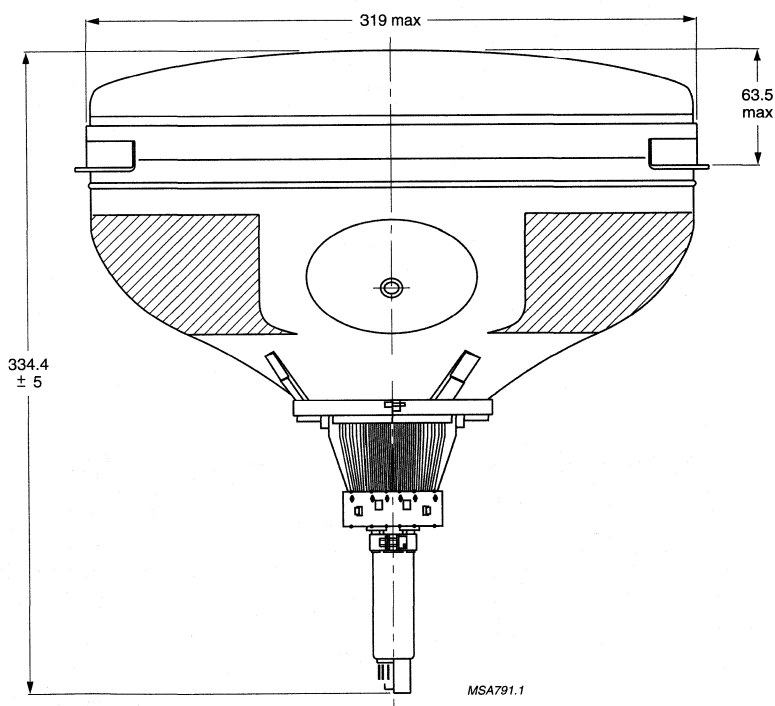
FEATURES

- Factory preset tube/coil assembly
- Self-converging and raster correction-free
- 34 cm, 90° colour picture tube A34EAC01X
- Hybrid toroidal deflection unit AT1625/46.

QUICK REFERENCE DATA

PARAMETER	TYP.	UNIT
Deflection angle	90	deg
Minimum useful screen diagonal	34	cm
Overall length	34	cm
Neck diameter	22.9	mm
Anode voltage	23	kV
Mass	≈7	kg

MECHANICAL DATA

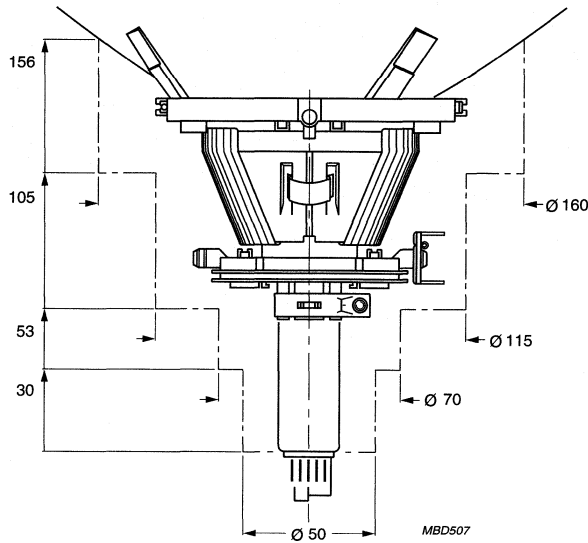


Dimensions in mm.

Fig.1 Tube assembly.

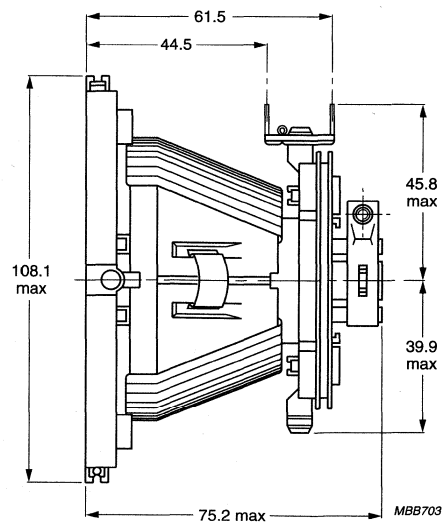
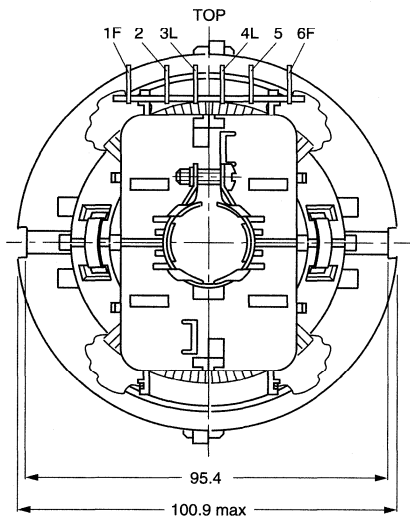
Colour picture tube assembly

A34EAC01X46



Dimensions in mm.

Fig.2 Yoke clearance.



Dimensions in mm.

Fig.3 Deflection unit.

Colour picture tube assembly

A34EAC01X46

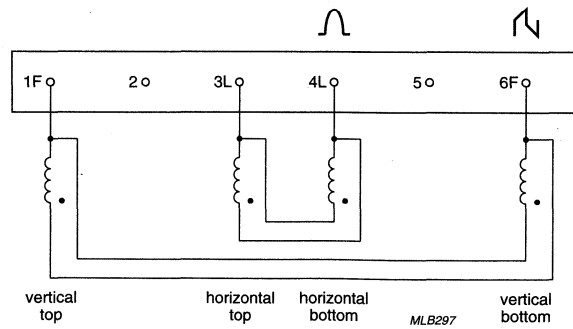
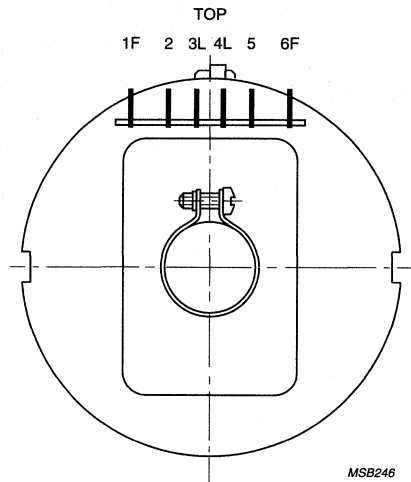
DEFLECTION COIL DATA

Voltages are specified with respect to grid 1. The values are valid for an anode voltage of 23 kV.

PARAMETER	CONDITIONS	VALUE	UNIT
Horizontal coils			
Inductance	1 V (RMS); 1 kHz	2.28 ±4%	mH
Resistance	T _{amb} = 25 °C	3.2 ±10%	Ω
Horizontal deflection current (peak-to-peak value)	edge-to-edge	2.17	A
Magnetic flux		4.94 ±2.5%	mWb
Vertical coils			
Inductance	1 V (RMS); 1 kHz	41.0 ±10%	mH
Resistance	T _{amb} = 25 °C	20.2 ±7%	Ω
Vertical deflection current (peak-to-peak value)	edge-to-edge	0.618	A
Cross-talk	1 V (RMS, sine wave); 500 Hz applied to horizontal coils	<14.3	mV
Insulation			
Insulation resistance	1 kV (DC)		
between horizontal and vertical coils		>500	MΩ
between horizontal coil and core clamp		>500	MΩ
between vertical coil and core clamp		>10	MΩ
Temperature			
Maximum temperature	operating	+90	°C
Storage temperature		-25 to +90	°C
Safety			
Flame retardant		in accordance with UL1413, category 94-V1	

Colour picture tube assembly

A34EAC01X46



The beginning of the windings is indicated with •

Fig.4 A34EAC01X46 deflection coils.

FS Hi-Bri colour picture tube**A41EAM40X****FEATURES**

- 'Flatter' and 'squarer' screen
- In-line, hi-bi potential ART (Aberration Reducing Triode) gun
- Hi-Bri technology
- Mask with corner suspension
- Cd-free phosphors
 - Pigmented deep red
 - Sulphide green
 - Pigmented sulphide blue
- Fine pitch over entire screen
- HIGH GLOSS screen finish
- Quick-heating low-power cathodes
- Soft-flash
- Slotted shadow mask optimized for minimum moiré at 625 line systems
- Internal magnetic shield
- Internal multipole
- Reinforced envelope for push-through mounting
- The tube is supplied with a deflection coil of the AT6050 series to form a self-converging and raster correction free assembly.

QUICK REFERENCE DATA

PARAMETER	TYP.	UNIT
Deflection angle	90	deg
Nominal useful screen diagonal	41	cm
Overall length	37	cm
Glass transmission	42	%
Neck diameter	22.9	mm
Heater voltage	6.15	V
Heater current	315	mA
Anode voltage	23	kV
Focus voltage	31% of anode voltage	
Mass	≈9	kg

FS Hi-Bri colour picture tube

A41EAM40X

ELECTRICAL DATA

SYMBOL	PARAMETER	MIN.	TYP.	UNIT
Capacitances				
$C_{a(m+m')}$	anode to external conductive coating, including rimband	1000	–	pF
C_{kR}, C_{kG}, C_{kB}	cathode of any gun to all other electrodes	–	4	pF
C_{g1}	grid 1 to all other electrodes	–	15	pF
C_{g3}	grid 3 (focus electrode) to all other electrodes	–	4	pF
Heating, indirect by AC (preferably mains or line frequency) or DC				
V_f	heater voltage	–	6.15	V
I_f	heater current	–	315	mA
Resistance				
R_{rim}	between rimband and external conductive coating	50	–	MΩ

ELECTRO-OPTICAL DATA

PARAMETER	VALUE
Electron gun system	unitized triple-aperture electrodes; Aberration Reducing Triode (ART)
Focus method	electrostatic
Focus lens	hi-bi potential
Deflection method	magnetic
Deflection angles	
diagonal	90°
horizontal	78°
vertical	60°

FS Hi-Bri colour picture tube

A41EAM40X

OPTICAL DATA

PARAMETER	VALUE
Screen	metal-backed vertical phosphor stripes; phosphor lines follow glass contour
Screen finish	high gloss
Nominal useful screen dimensions	
diagonal	410.7 mm
horizontal axis	330.0 mm
vertical axis	250.1 mm
area	≈820 cm ²
Phosphor alignment	see Fig.1
Phosphors	
red	pigmented europium activated rare earth
green	Cd-free sulphide type
blue	pigmented sulphide type
Persistence	medium short
Centre-to-centre distance of identical colour phosphor stripes at centre of screen	≈0.59 mm
Light transmission of face glass at centre of screen	42%
Luminance at screen centre; note 1	60 cd/m ²

Note

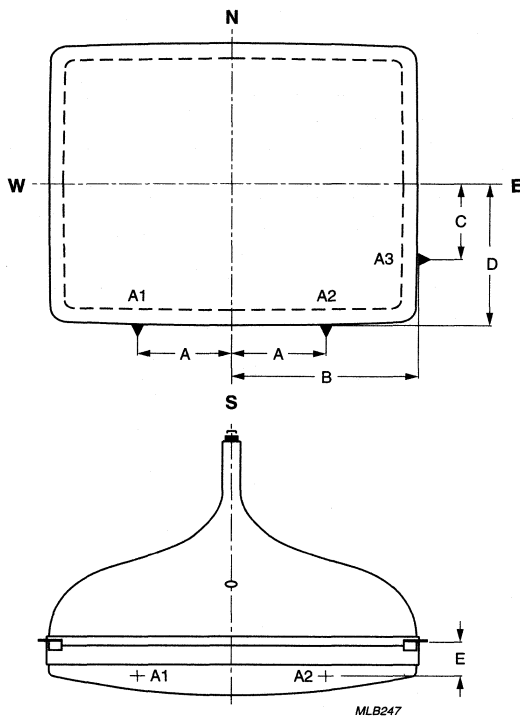
1. Tube settings adjusted to produce white D ($x = 0.313$, $y = 0.329$), focused raster, current density $0.4 \mu\text{A}/\text{cm}^2$.

Colour coordinates

COLOUR	x	y
Red	0.630	0.330
Green	0.295	0.595
Blue	0.155	0.065

FS Hi-Bri colour picture tube

A41EAM40X



A = 139.40 mm.
 B = 181.94 mm.
 C = 100.0 mm.
 D = 142.24 mm.
 E = 29.20 mm.

Fig.1 Phosphor alignment.

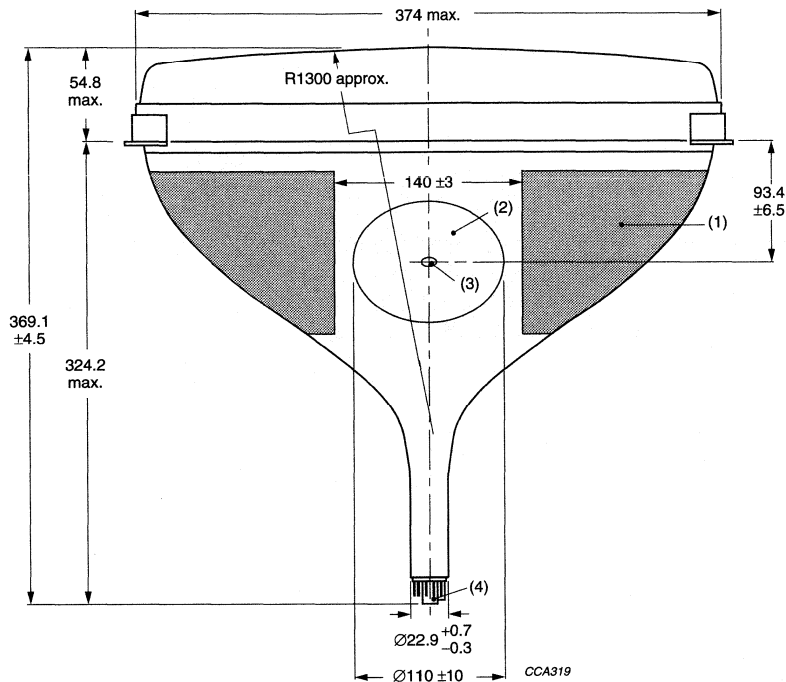
MECHANICAL DATA

See Figs 2 to 12.

PARAMETER	VALUE
Overall length	367.3 ±4.5 mm
Neck diameter	22.9 +0.7/-0.3 mm
Bulb dimensions	
diagonal	<443.6 mm
width	<370.8 mm
height	<295.0 mm
Base	Base JEDEC B8-294
Anode contact	small cavity contact JEDEC J1-21; IEC 67-III-2
Mounting position	anode contact on top
Implosion protection	shrunk-on rimband with integral mounting lugs
Mass	≈9 kg

FS Hi-Bri colour picture tube

A41EAM40X



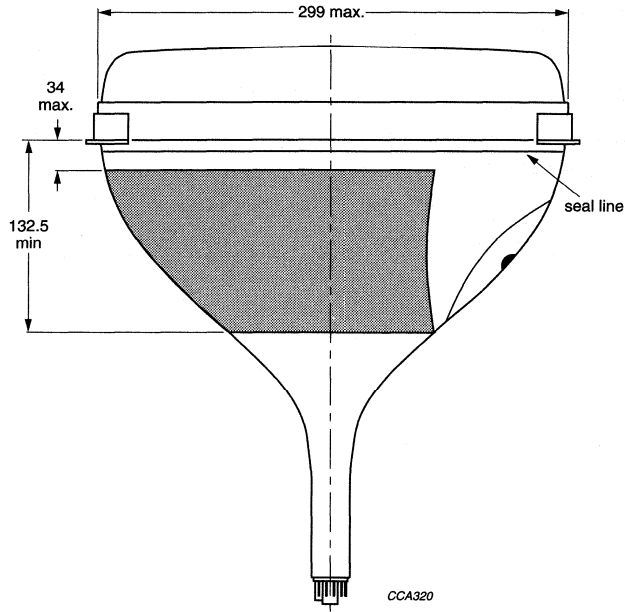
Dimensions in mm.

- (1) The configuration of the outer conductive coating may differ, but will contain the contact area as shown.
- (2) To clean this area, wipe only with a soft lint-free cloth.
- (3) Small cavity contact JEDEC J1-21; IEC 67-III-2.
- (4) The socket for this base should not be rigidly mounted, it should have flexible leads and be allowed to move freely. After mounting of the tube in the cabinet note that the position of the base can fall within a circle, having a diameter of max. 30 mm concentric with an imaginary tube axis.

Fig.2 Tube dimensions; top view.

FS Hi-Bri colour picture tube

A41EAM40X

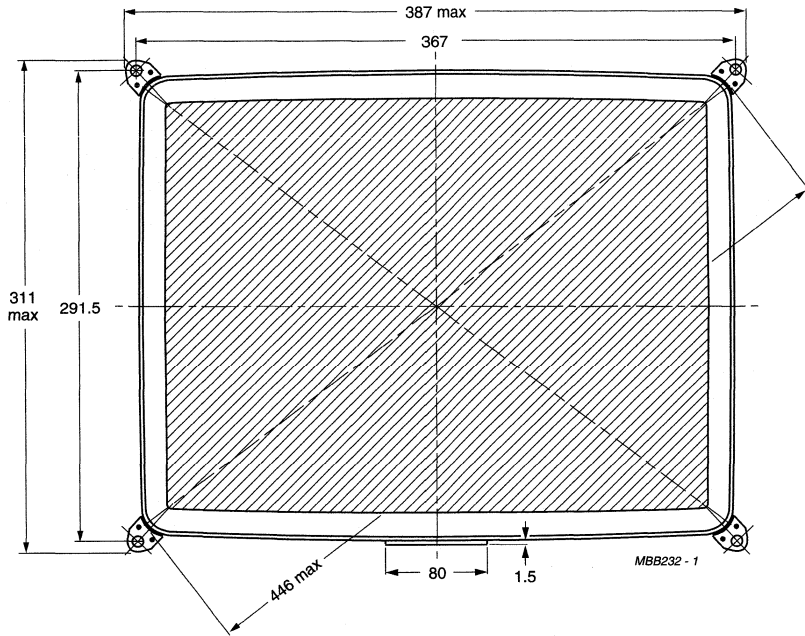


Dimensions in mm.

Fig.3 Tube dimensions; side view.

FS Hi-Bri colour picture tube

A41EAM40X

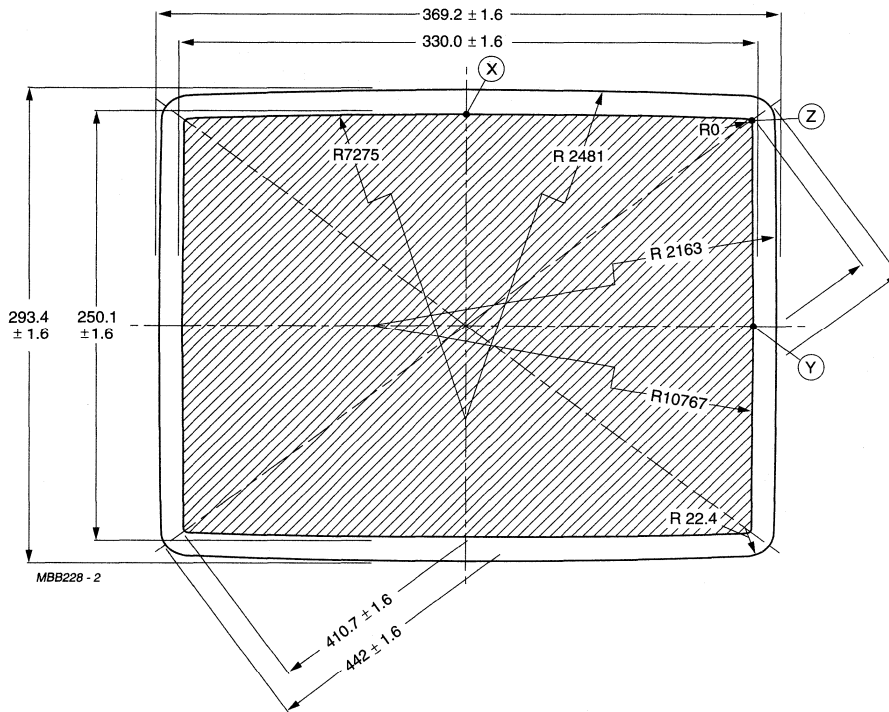


Dimensions in mm.

Fig.4 Tube dimensions; front view.

FS Hi-Bri colour picture tube

A41EAM40X

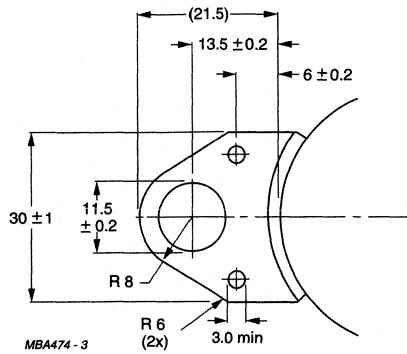


Dimensions in mm.

Fig.5 Phosphor and screen dimensions.

FS Hi-Bri colour picture tube

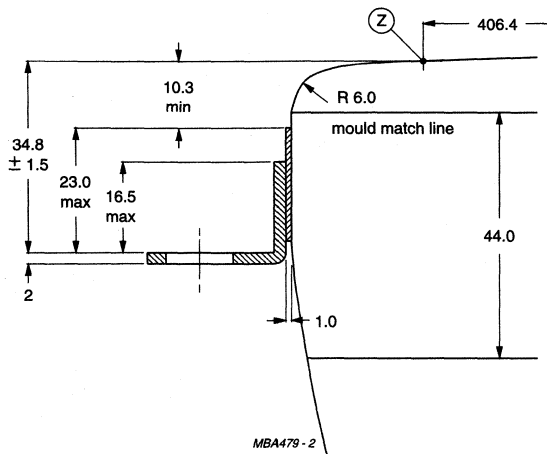
A41EAM40X



Dimensions in mm.

The position of the mounting screw in the cabinet must be within a circle of 8 mm diameter drawn around the true geometrical positions, i.e. the corners of a rectangle of 367.0 mm x 291.5 mm.

Fig.6 Lug dimensions.



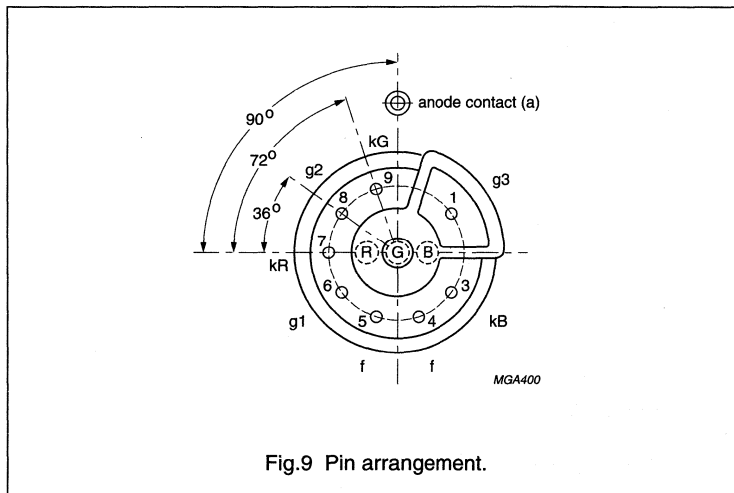
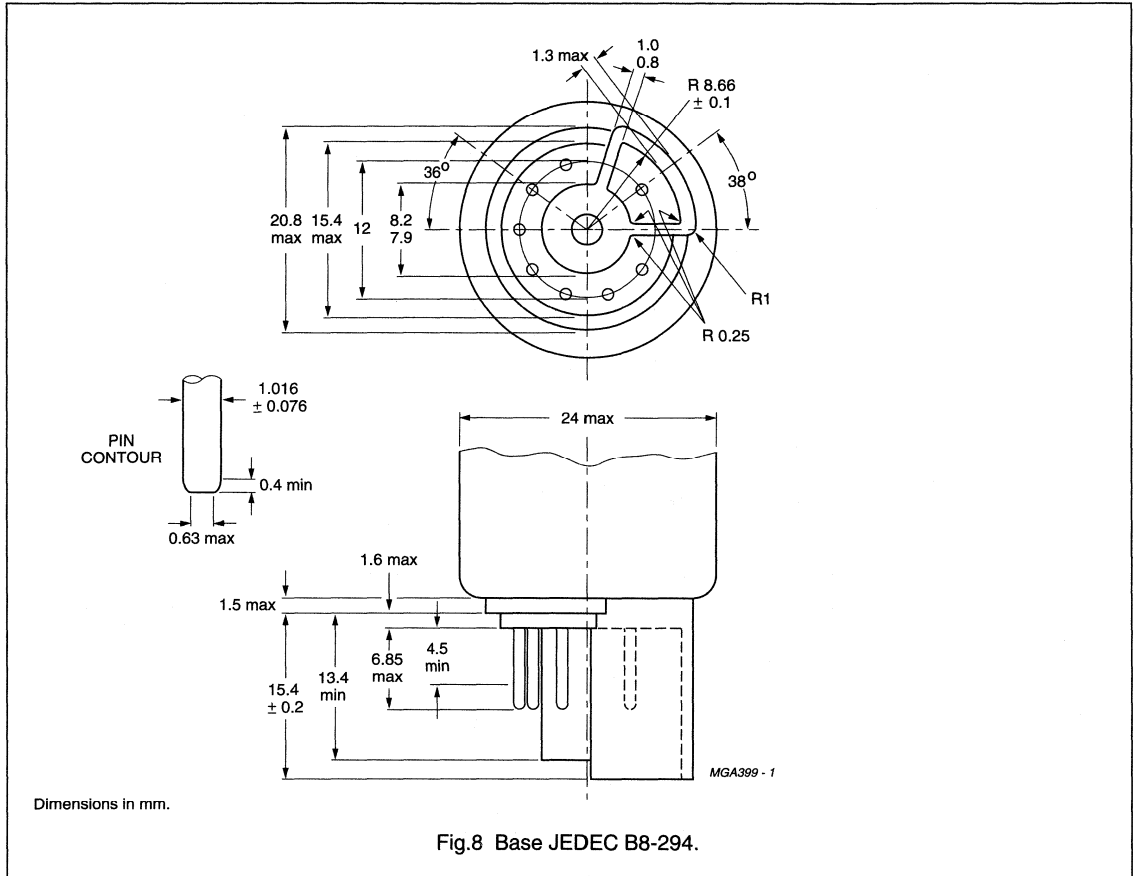
Dimensions in mm.

The displacement of any lug with respect to the plane through the three other lugs is max. 1.5 mm. This deviation is incorporated in the tolerance of ±1.5 mm.

Fig.7 Lug position.

FS Hi-Bri colour picture tube

A41EAM40X



Remarks: to Figs 8 and 9.

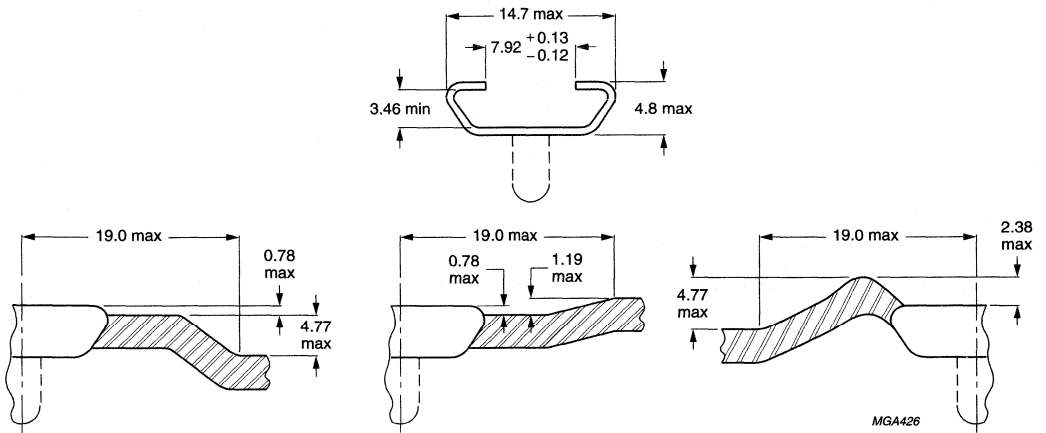
The socket for this base should not be rigidly mounted, it should have flexible leads and be allowed to move freely. After mounting the tube in the cabinet, note that the position of the base can fall within a circle, having a diameter of max. 30 mm concentric with an imaginary tube axis.

The mass of the mounting socket assembly should not exceed 150 g.

Maximum permissible torque on the tube neck is 0.04 Nm.

FS Hi-Bri colour picture tube

A41EAM40X

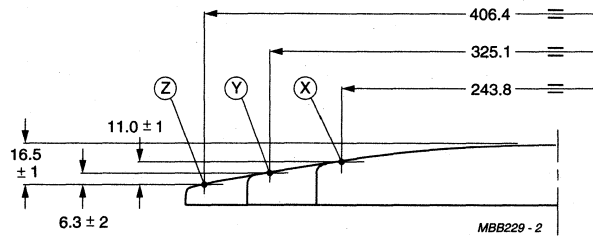


Dimensions in mm.

Fig.10 Cavity cap JEDEC J-21, IEC 67-III-2.

FS Hi-Bri colour picture tube

A41EAM40X



Dimensions in mm.

The X, Y and Z reference points are located on the outside surface of the face plate at the intersection of the minor, major and diagonal screen axis respectively.

The distance Z from any point on the screen to the centre can be calculated using the following formula:

$$R_1 = 1370$$

$$R_2 = 1100$$

$$X_A = 90.01$$

$$X_B = 17.74$$

$$X_X = \sqrt{X^2 + Y^2}$$

$$X_B = X_A - \frac{R_2}{R_1} \times X_A$$

$$Z_A = R_1 - \sqrt{R_1^2 - X_A^2}$$

$$Z_B = R_1 - R_2 - Z_C$$

$$Z_C = (R_1 - Z_A) \times \frac{X_B}{X_A}$$

$$\text{if } X_X < X_A \text{ then } Z = R_1 - \sqrt{R_1^2 - X_X^2} \text{ else } Z = Z_B + R_2 - \sqrt{R_2^2 - (X_X - X_B)^2}$$

Fig.11 Screen reference points.

FS Hi-Bri colour picture tube

A41EAM40X

Sagittal heights

Sagittal heights of the useful screen measured with respect to the end of the diagonal axis.

NOMINAL USEFUL SCREEN (NUS)			3 mm INSIDE NUS			5 mm OUTSIDE NUS		
COORDINATES		SAGITTAL HEIGHT	COORDINATES		SAGITTAL HEIGHT	COORDINATES		SAGITTAL HEIGHT
X (mm)	Y (mm)		X (mm)	Y (mm)		X (mm)	Y (mm)	
0.0 ⁽¹⁾	125.1	10.9	0.0	122.1	10.5	0.0	130.1	11.6
10.0	125.1	10.8	10.0	122.1	10.4	10.0	130.1	11.5
20.0	125.0	10.7	20.0	122.0	10.3	20.0	130.0	11.4
30.0	125.0	10.5	30.0	122.0	10.1	30.0	130.0	11.2
40.0	125.0	10.3	40.0	122.0	9.8	40.0	130.0	11.0
50.0	124.9	9.9	50.0	121.9	9.5	50.0	129.9	10.6
60.0	124.8	9.5	60.0	121.9	9.1	60.0	128.8	10.2
70.0	124.7	9.0	70.0	121.7	8.5	70.0	129.7	9.7
80.0	124.6	8.4	80.0	121.6	8.0	80.0	129.6	9.1
90.0	124.5	7.7	90.0	121.5	7.3	90.0	129.5	8.4
100.0	124.4	6.9	100.0	121.4	6.5	100.0	129.4	7.6
110.0	124.2	6.1	110.0	121.2	5.7	110.0	129.2	6.8
120.0	124.1	5.2	120.0	121.1	4.8	120.0	129.1	5.9
130.0	123.9	4.1	130.0	120.9	3.7	130.0	128.9	4.8
140.0	123.7	3.0	140.0	120.7	2.6	140.0	128.7	3.7
150.0	123.5	1.9	150.0	120.5	1.5	150.0	128.5	2.5
160.0	123.3	0.6	160.0	120.3	0.2	160.0	128.3	1.3
164.3 ⁽²⁾	123.2	0.0	161.3	120.3	0.0	169.2	128.1	0.0
164.3	120.0	0.3	–	–	–	169.3	120.0	0.8
164.4	110.0	1.2	161.4	110.0	1.0	169.4	110.0	1.8
164.5	100.0	2.1	161.5	100.0	1.8	169.5	100.0	2.7
164.6	90.0	2.9	161.6	90.0	2.6	169.6	90.0	3.4
164.7	80.0	3.6	161.7	80.0	3.3	169.7	80.0	4.1
164.8	70.0	4.2	161.8	70.0	3.9	169.8	70.0	4.8
164.8	60.0	4.8	161.8	60.0	4.5	169.8	60.0	5.3
164.9	50.0	5.2	161.9	50.0	4.9	169.9	50.0	5.7
164.9	40.0	5.6	161.9	40.0	5.3	169.9	40.0	6.1
164.9	30.0	5.9	161.9	30.0	5.5	169.9	30.0	6.4
165.0	20.0	6.1	162.0	20.0	5.8	170.0	20.0	6.6
165.0	10.0	6.2	162.0	10.0	5.9	170.0	10.0	6.7
165.0 ⁽³⁾	0.0	6.2	162.0	0.0	5.9	170.0	0.0	6.7

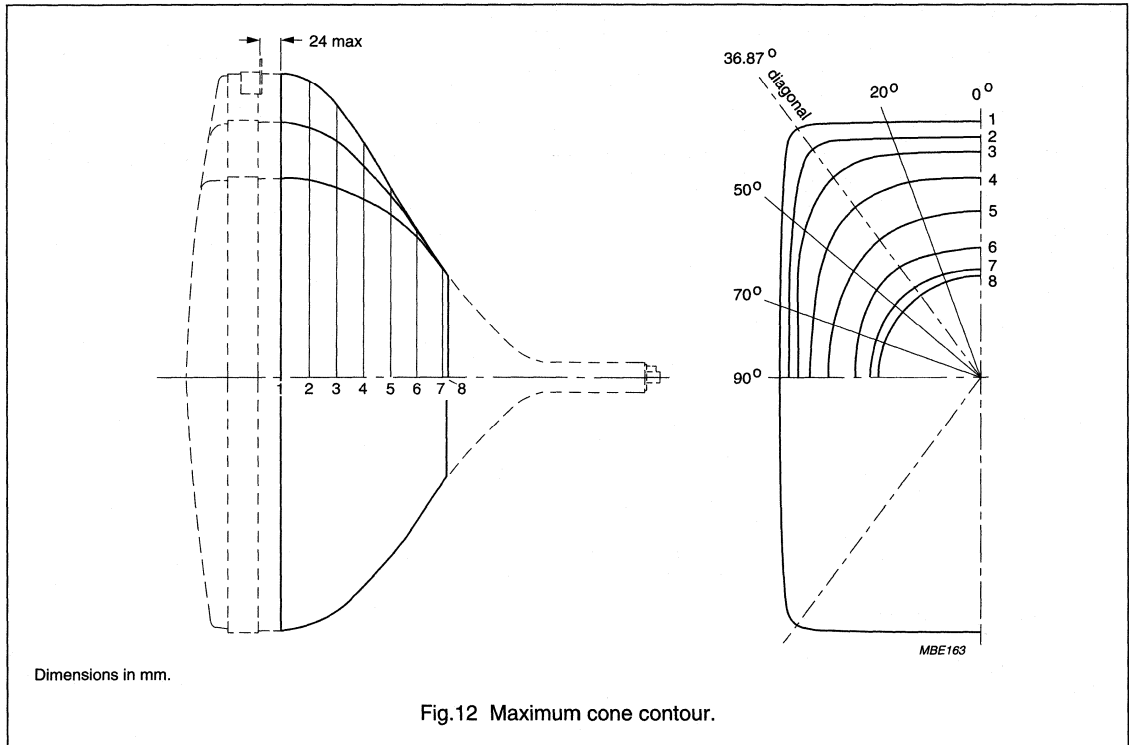
Notes

1. End of short axis.
2. End of diagonal axis.
3. End of long axis.

FS Hi-Bri colour picture tube

A41EAM40X

Cone contour



Cone contour data

SECTION	NOMINAL DISTANCE FROM SECTION 1 (mm)	MAXIMUM DISTANCE FROM TUBE AXIS (mm)										
		0°	10°	20°	30°	36.87°	40°	50°	60°	70°	80°	90°
1	0.0	184.3	186.9	195.1	210.0	221.0	217.9	187.3	167.2	154.9	148.2	146.1
2	20.0	179.8	182.1	189.2	201.1	209.6	207.2	181.5	162.5	150.6	144.1	142.1
3	40.0	169.9	171.6	176.4	183.5	186.6	185.2	169.0	153.5	143.2	137.4	135.5
4	60.0	154.8	155.8	158.5	161.7	162.0	160.9	152.4	142.1	134.3	129.6	128.1
5	80.0	134.1	134.7	136.1	137.1	136.6	135.9	132.2	127.2	122.6	119.5	118.4
6	100.0	109.9	110.2	110.6	110.6	110.3	110.0	108.6	106.9	105.1	103.7	103.2
7	120.0	82.4	82.5	82.7	82.7	82.6	82.6	82.3	81.9	81.5	81.1	80.9
8	124.8	75.4	75.4	75.4	75.5	75.5	75.4	75.4	75.3	75.3	75.2	75.2

HANDLING

During shipment and handling the tube should not be subjected to accelerations greater than 350 m/s² in any direction (at pulse ≤10 ms).

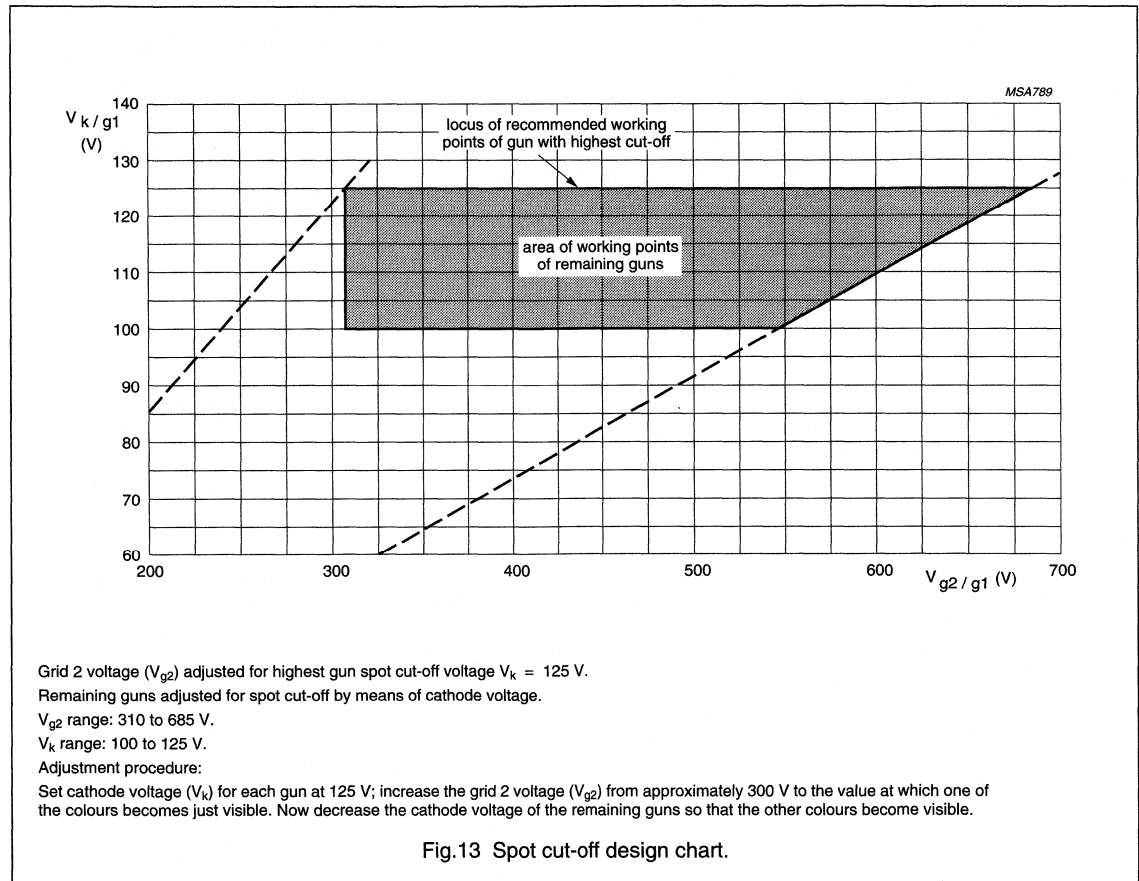
FS Hi-Bri colour picture tube

A41EAM40X

OPERATING DATA

The voltages are specified with respect to grid 1.

SYMBOL	PARAMETER	CONDITIONS	MIN.	TYP.	MAX.	UNIT
V_a	anode voltage		–	23	–	kV
V_{g3}	grid 3 (focus electrode) voltage		6.7	–	7.6	kV
V_{g2}	grid 2 voltage	for spot cut-off voltage $V_k = 125$ V	310	–	685	V
V_f	heater voltage	operating	–	6.15	–	V



FS Hi-Bri colour picture tube

A41EAM40X

CHASSIS DESIGN VALUES

The values are valid for anode voltages between 20 and 27.5 kV. The voltages are specified with respect to grid 1.

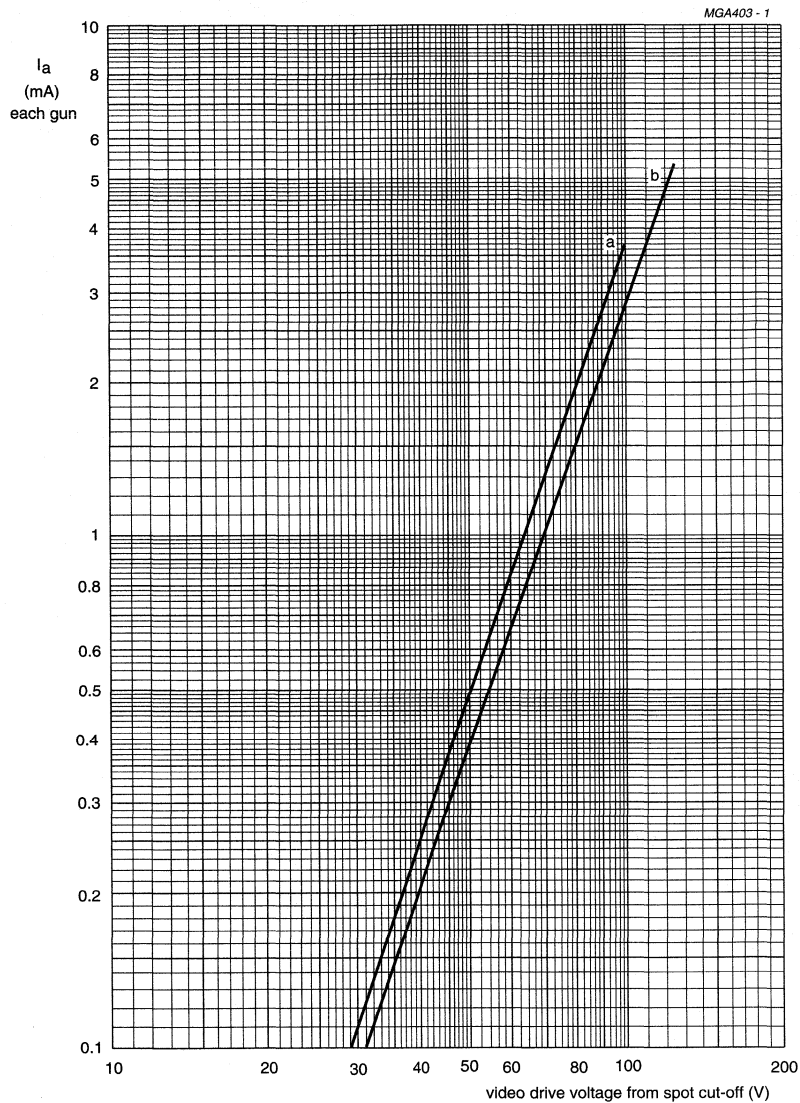
SYMBOL	PARAMETER	CONDITIONS	MIN.	TYP.	MAX.	UNIT
V_{g3}	grid 3 (focus electrode) voltage as a percentage of anode voltage		29	–	33	%
V_{g2} and V_k	grid 2 voltage and cathode voltage	for visual extinction of focused spot	see Fig.13			
ΔV_k	difference in cut-off voltage between guns in any tube		lowest value >80% of highest value			
V_f	heater voltage	operating	–	6.15	–	V
	video drive characteristics		note 1 and Fig.14			
I_{g3}	grid 3 (focus electrode) current		–2	–	+2	μA
I_{g2}	grid 2 current		–2	–	+2	μA
I_{g1}	grid 1 current	under cut-off conditions	–2	–	+2	μA
R_{ins}	insulation resistance	each cathode to grid 1 and heater	50	–	–	M Ω
Anode currents to produce white of 6500 K + 7 MPCD (CIE coordinates: x = 0.313; y = 0.329)						
PERCENTAGE OF THE TOTAL ANODE CURRENT SUPPLIED BY EACH GUN (TYPICAL)						
	red gun		–	41.3	–	%
	green gun		–	34.4	–	%
	blue gun		–	24.3	–	%
RATIO OF ANODE CURRENTS						
	red gun to green gun		0.85	1.20	1.55	
	red gun to blue gun		1.20	1.70	2.20	
	blue gun to green gun		0.40	0.70	1.00	

Note

- For optimum picture performance it is recommended that the cathodes are not driven below +1 V with respect to grid 1.

FS Hi-Bri colour picture tube

A41EAM40X



$V_f = 6.15$ V.

$V_a = 23$ kV.

V_{g3} adjusted for focus.

V_{g2} (each gun) adjusted to provide spot cut-off for $V_k = 100$ V (curve a) and $V_k = 125$ V (curve b).

Fig.14 Typical cathode drive characteristics.

FS Hi-Bri colour picture tube

A41EAM40X

LIMITING VALUES

In accordance with the Absolute Maximum Rating System (IEC 134). The voltages are specified with respect to grid 1.

SYMBOL	PARAMETER	CONDITIONS	MIN.	MAX.	UNIT
V_a	anode voltage	notes 1 and 2	20 ⁽³⁾	27.5 ⁽⁴⁾	kV
I_a	long-term average current for three guns	note 5	–	750	μ A
V_{g3}	grid 3 (focus electrode) voltage		–	11	kV
V_{g2}	grid 2 voltage		–	1000	V
V_f	heater voltage	note 6	5.7	6.6 ⁽⁴⁾	V
Cathode voltage					
V_k	positive	operating	–	250	V
		during blanking	–	400	V
V_k	positive operating cut-off		–	200	V
V_k	negative		–	0	V
V_{kp}	negative peak		–	–2	V
Cathode to heater voltage					
V_{kf}	positive		–	250	V
V_{kfp}	positive peak		–	300	V
V_{kf}	negative		–	0	V
V_{kfp}	negative peak		–	–50	V
Circuit values					
R_{g3}	grid 3 circuit resistance		–	70	M Ω
R_{g2}	grid 2 circuit resistance		–	7	M Ω
R_{g1k}	grid 1 to cathode circuit resistance (each gun)		–	750	k Ω

Notes

1. During adjustment on the production line this value is likely to be surpassed considerably. It is therefore strongly recommended to first make the necessary adjustments for normal operation without the picture tube.
2. The picture tube does not emit X-radiation above 1 μ Sv/h when operated with anode voltage of 27.5 kV and an anode current of 1 mA.
3. Operation of the tube at lower voltages impairs the luminance and resolution and may impair the convergence.
4. This value is an absolute maximum.
5. The short-term average anode current should be limited by circuitry to 1000 μ A.
6. For maximum cathode life and optimum performance it is recommended that the heater supply is designed for 6.15 V at average beam current, for most applications this equals 6.3 V at zero beam current.

BEAM CENTRING

Maximum centring error is 3 mm in any direction after colour purity, static convergence and horizontal centre line correction (measured with deflection coils at nominal position).

FS Hi-Bri colour picture tube

A41EAM40X

FLASHOVER PROTECTION

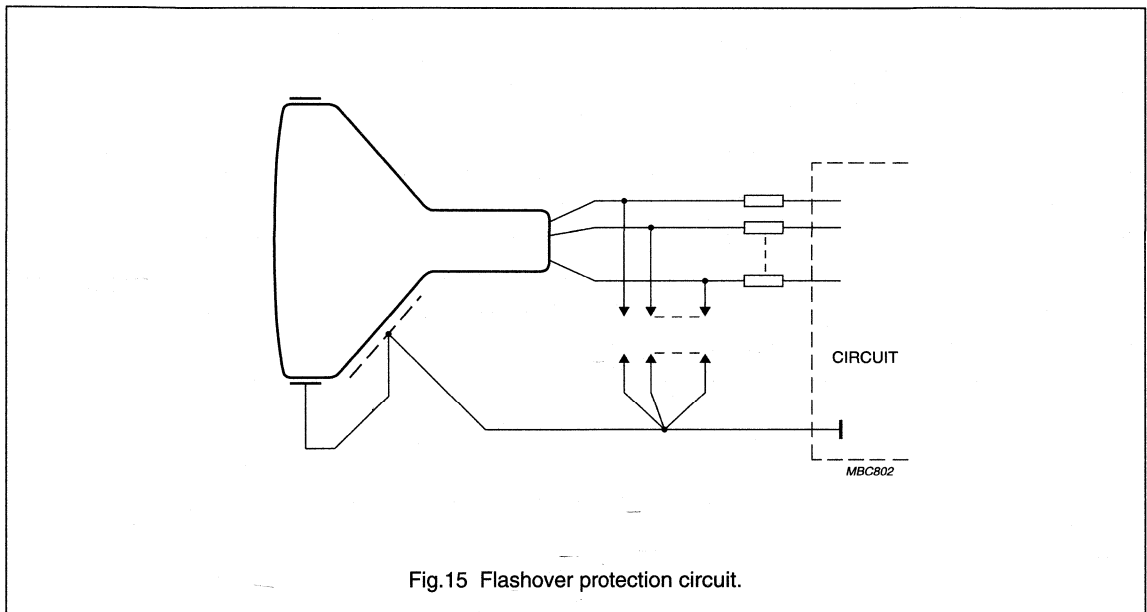
With the high voltage used with this tube (max. 27.5 kV) internal flashovers may occur. As a result of Soft-Flash technology these flashover currents are limited to approximately 60 A offering higher reliability, optimum circuit protection and component savings.

Primary protective circuitry using properly grounded spark gaps and series isolation resistors (preferably carbon composition) is still necessary

to prevent tube damage. The spark gaps should be connected to all picture tube electrodes at the socket in accordance with Fig.15; they are not required on the heater pins. No other connections between the outer conductive coating and the chassis are permissible. The spark gaps should be designed for a breakdown voltage at the focus electrode (g3) of 12 kV ($1.5 \times V_{g3}$ max. at $V_a = 25$ kV), and 2 kV at the other electrodes, at an atmospheric pressure of 100 kPa.

The values of the series isolation resistors should be as high as possible (min. 1.5 kΩ) without causing deterioration of the circuit performance. The resistors should be able to withstand an instantaneous surge of 20 kV for the focusing circuit and 12 kV for the remaining circuits without arcing.

Additional information is available on request.

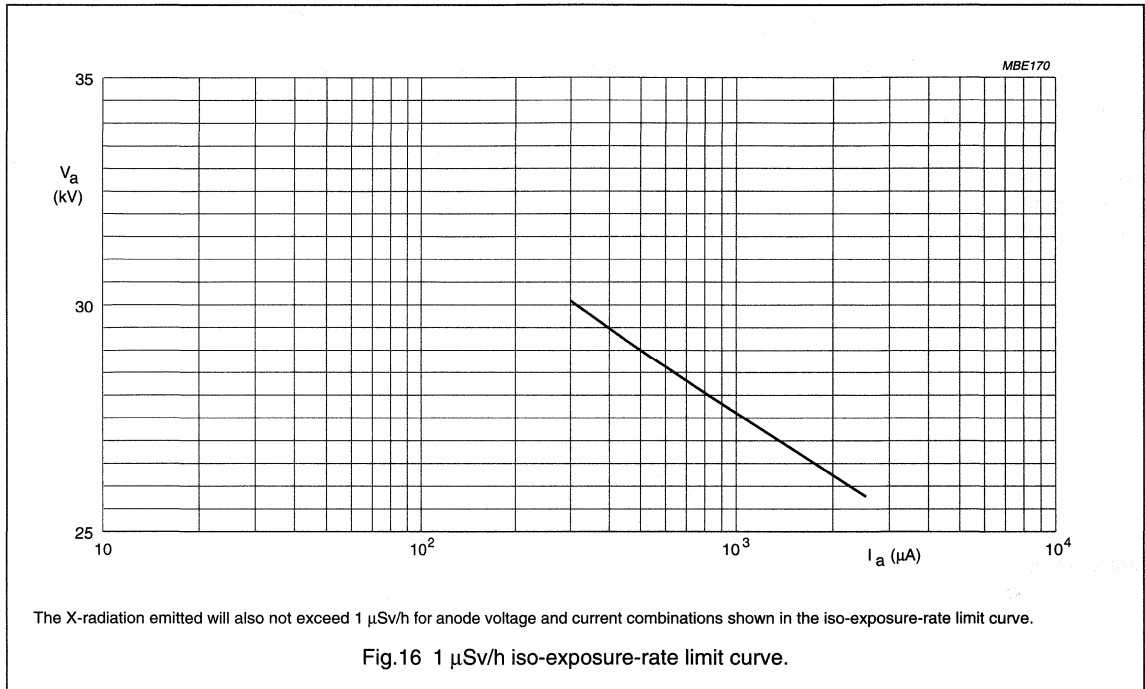


FS Hi-Bri colour picture tube

A41EAM40X

X-RADIATION

The tube does not emit X-radiation above 1 $\mu\text{Sv/h}$ when operated at 27.5 kV and 1 mA.



FS Hi-Bri colour picture tube

A41EAM40X

DEGAUSSING

The picture tube is provided with an internal magnetic shield. This shield and the shadow mask with its suspension system may be provided with an automatic degaussing system, consisting of one magnetic coil winding mounted on the cone of the picture tube.

For proper degaussing an initial magnetomotive force (MMF) of 600 ampere-turns is required in the coil. This MMF must be gradually decreased (maximum 30% per half period) by appropriate circuitry. To prevent beam landing disturbance by line frequency currents induced in the degaussing coils, this coil should be shunted by a capacitor of sufficiently high value. In steady state, no significant MMF should remain in the coil (≤ 0.6 ampere-turns).

If single-phase power rectification is employed in the TV circuitry, provision should be included to

prevent asymmetric distortion of the AC voltage applied to the degaussing circuit due to high DC inrush currents.

An example of a degaussing circuit and coil data is in Fig.17 and Table "Degaussing coil data".

Degaussing coil data

PARAMETER	110/120 V (AC) MAINS	220/240 V (AC) MAINS	UNIT
Circumference	113	113	cm
Number of turns	70	120	
Copper wire diameter	0.50	0.36	mm
Resistance	6.8	23.5	Ω
Catalogue number of an appropriate dual PTC thermistor	2322 662 96013	2322 662 96009	

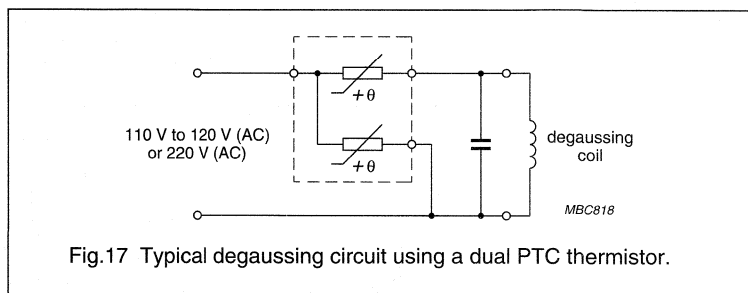


Fig.17 Typical degaussing circuit using a dual PTC thermistor.

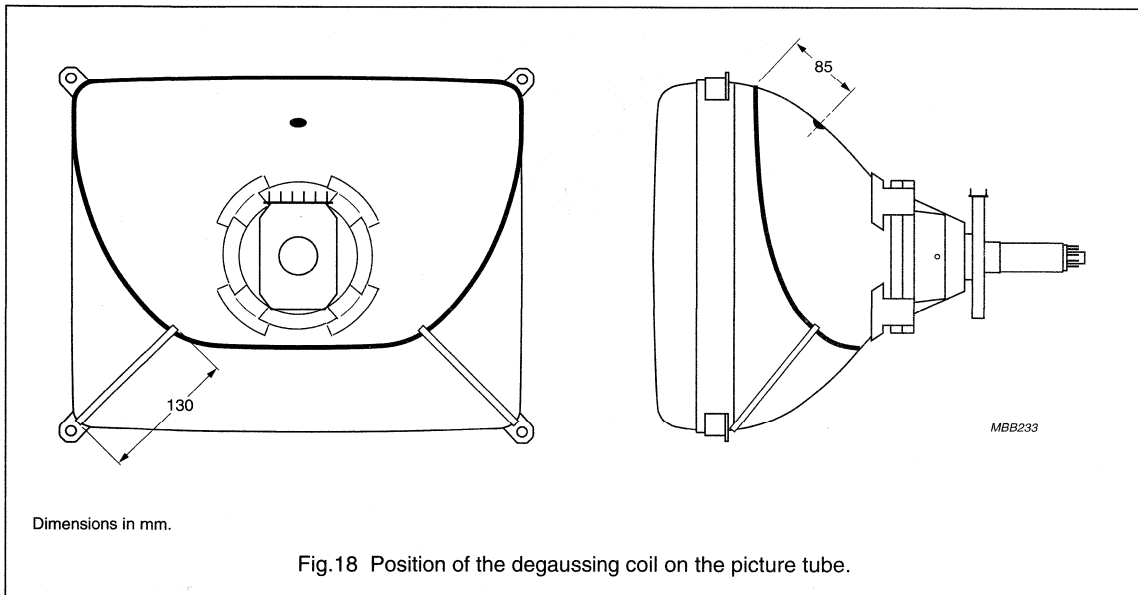


Fig.18 Position of the degaussing coil on the picture tube.

FS Hi-Bri colour picture tube assembly

A41EAM40X01

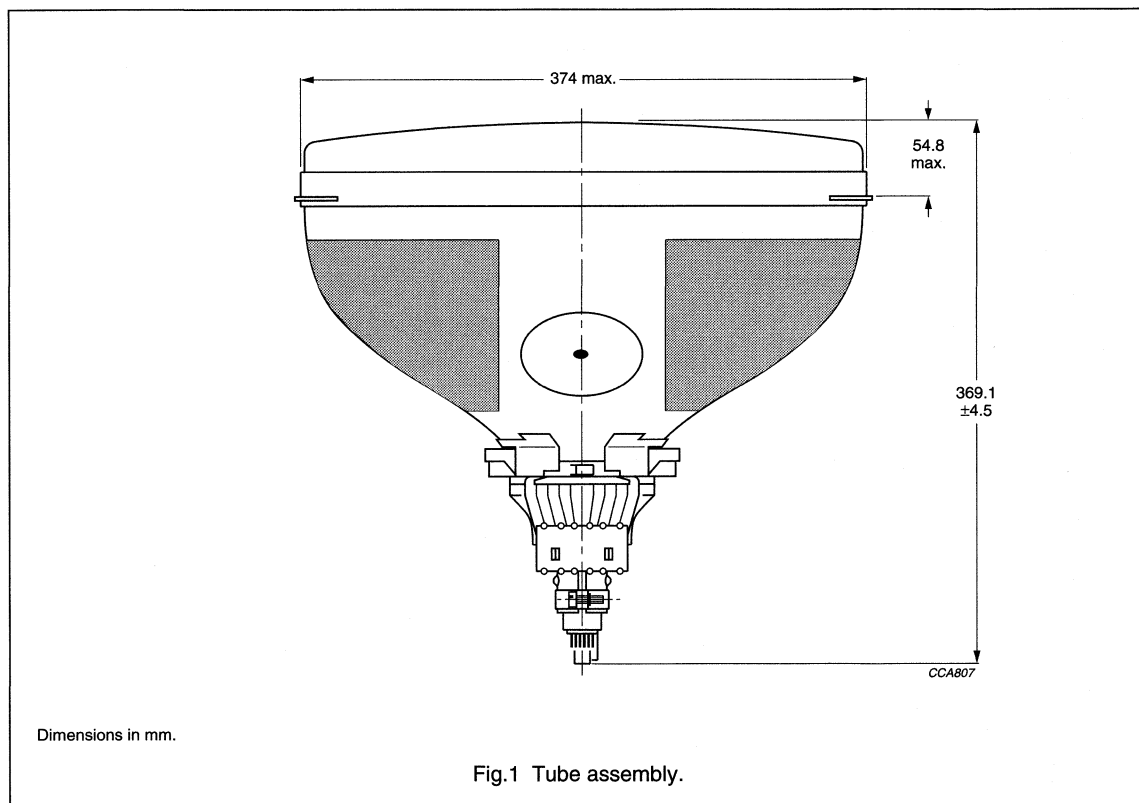
FEATURES

- Factory preset tube/coil assembly
- Self-converging and raster correction free
- 41 cm, 90° colour picture tube A41EAM40X
- Hybrid saddle toroidal deflection unit AT6050/00.

QUICK REFERENCE DATA

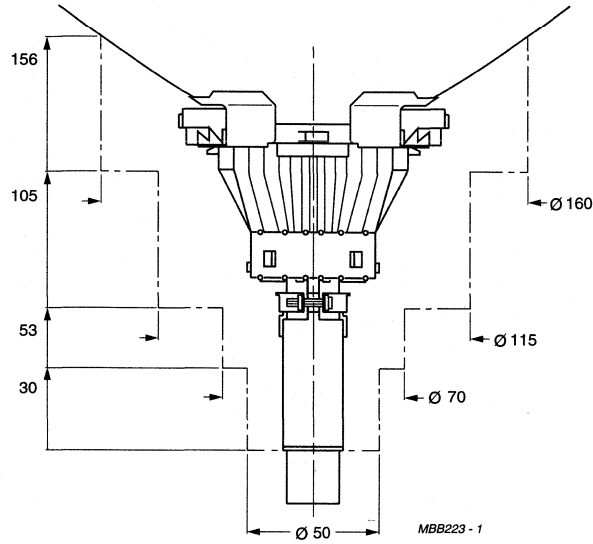
PARAMETER	TYP.	UNIT
Deflection angle	90	deg
Minimum useful screen diagonal	41	cm
Overall length	37.5	cm
Neck diameter	22.9	mm
Anode voltage	23	kV
Mass	≈10	kg

MECHANICAL DATA



FS Hi-Bri colour picture tube assembly

A41EAM40X01



Dimensions in mm.

Fig.2 Yoke clearance.

FS Hi-Bri colour picture tube assembly

A41EAM40X01

DEFLECTION COIL DATA

Voltages are specified with respect to grid 1. The values are valid for an anode voltage of 23 kV.

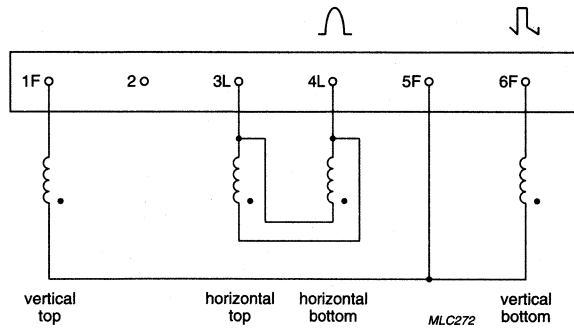
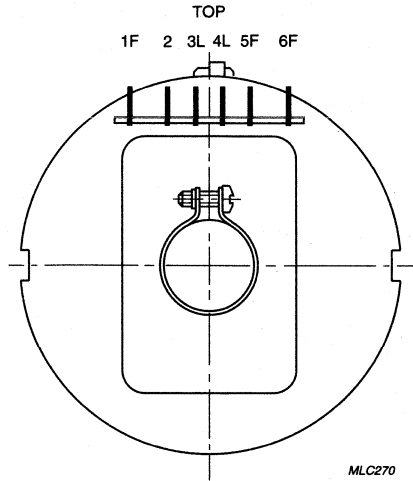
PARAMETER	CONDITIONS	MIN.	TYP.	MAX.	UNIT
Horizontal coils, parallel connected					
Inductance	1 V (RMS); 1 kHz	2.33	2.43	2.53	mH
Resistance	T _{amb} = 25 °C	2.89	3.21	3.53	Ω
Horizontal deflection current (peak-to-peak value)	edge-to-edge	–	2.10	–	A
Magnetic flux		4.96	5.09	5.22	mWb
Vertical coils, series connected					
Inductance	1 V (RMS); 1 kHz	23.58	26.20	28.82	mH
Resistance	T _{amb} = 25 °C	11.35	12.20	13.05	Ω
Vertical deflection current (peak-to-peak value)	edge-to-edge	–	0.82	–	A
Cross-talk	1 V (RMS, sine wave); 500 Hz applied to horizontal coils	–	–	14.3	mV
Insulation					
Insulation resistance	1 kV (DC)				
between horizontal and vertical coils		500	–	–	MΩ
between horizontal coil and core clamp		500	–	–	MΩ
between vertical coil and core clamp		10	–	–	MΩ
Temperature					
Average copper temperature; note 1	operating	–	–	90	°C
Storage temperature		–25	–	+90	°C
Safety					
Flame retardant		in accordance with UL1413, category 94-V1			

Note

1. Measured by the resistance method.

FS Hi-Bri colour picture tube assembly

A41EAM40X01



The beginning of the windings is indicated with •

Fig.3 A41EAM40X01 deflection coils.

FS Hi-Bri colour picture tube assembly

A41EAM40X14

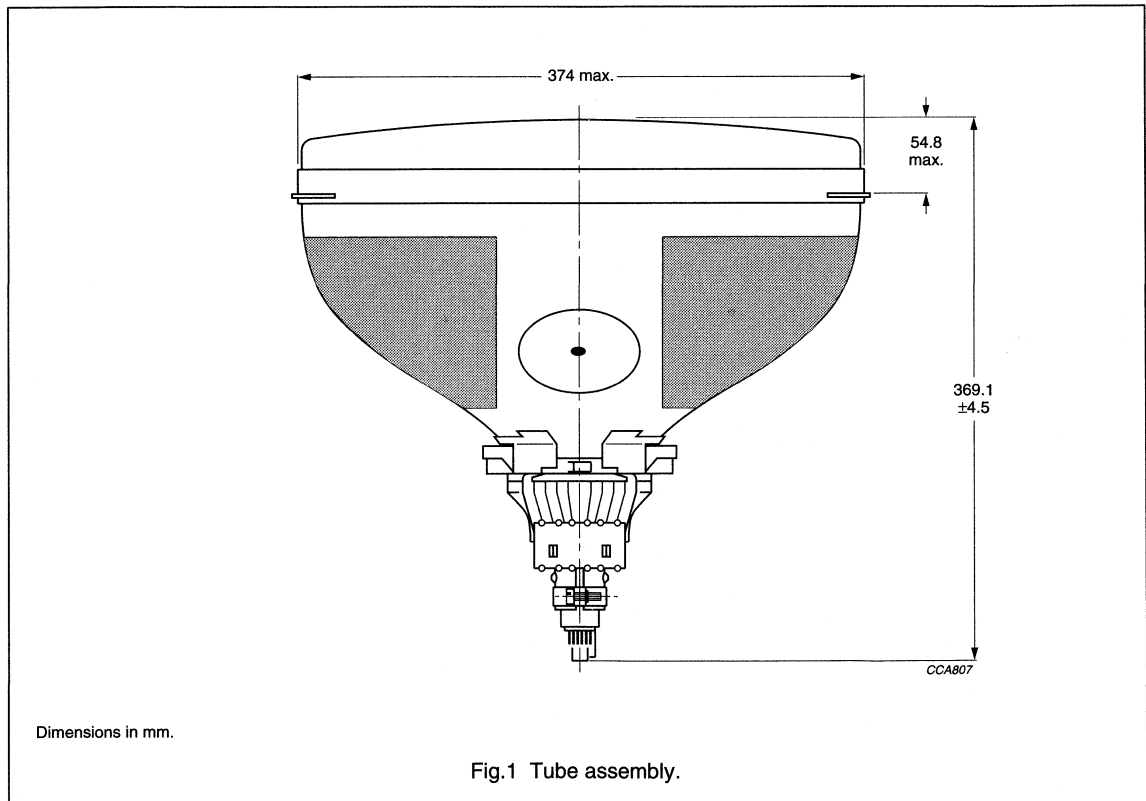
FEATURES

- Factory preset tube/coil assembly
- Self-converging and raster correction free
- 41 cm, 90° colour picture tube A41EAM40X
- Hybrid saddle toroidal deflection unit AT6050/14.

QUICK REFERENCE DATA

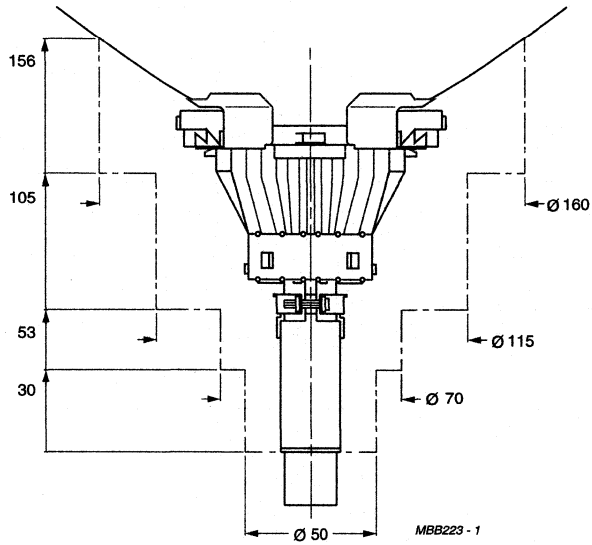
PARAMETER	TYP.	UNIT
Deflection angle	90	deg
Minimum useful screen diagonal	41	cm
Overall length	37.5	cm
Neck diameter	22.9	mm
Anode voltage	23	kV
Mass	≈10	kg

MECHANICAL DATA



FS Hi-Bri colour picture tube assembly

A41EAM40X14



Dimensions in mm.

Fig.2 Yoke clearance.

FS Hi-Bri colour picture tube assembly

A41EAM40X14

DEFLECTION COIL DATA

Voltages are specified with respect to grid 1. The values are valid for an anode voltage of 23 kV.

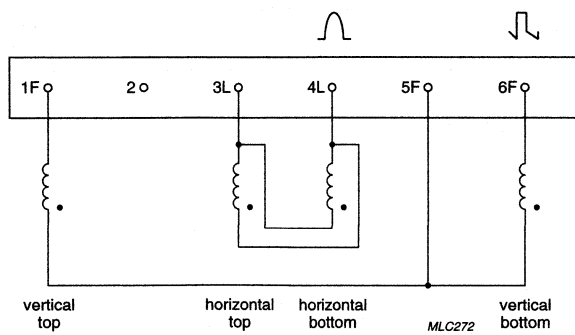
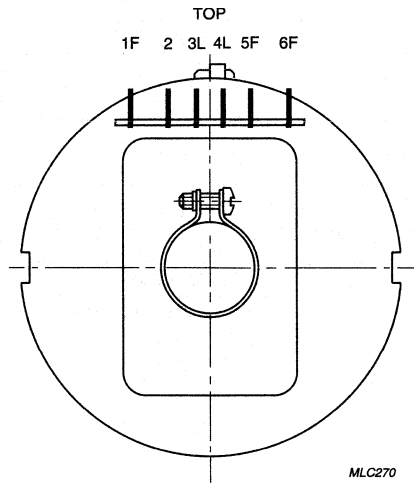
PARAMETER	CONDITIONS	MIN.	TYP.	MAX.	UNIT
Horizontal coils, parallel connected					
Inductance	1 V (RMS); 1 kHz	2.12	2.21	2.30	mH
Resistance	T _{amb} = 25 °C	2.69	2.99	3.29	Ω
Horizontal deflection current (peak-to-peak value)	edge-to-edge	–	2.21	–	A
Magnetic flux		4.76	4.88	5.00	mWb
Vertical coils, series connected					
Inductance	1 V (RMS); 1 kHz	30.33	33.70	37.10	mH
Resistance	T _{amb} = 25 °C	16.37	17.60	18.83	Ω
Vertical deflection current (peak-to-peak value)	edge-to-edge	–	0.73	–	A
Cross-talk	1 V (RMS, sine wave); 500 Hz applied to horizontal coils	–	–	14.3	mV
Insulation					
Insulation resistance	1 kV (DC)				
between horizontal and vertical coils		500	–	–	MΩ
between horizontal coil and core clamp		500	–	–	MΩ
between vertical coil and core clamp		10	–	–	MΩ
Temperature					
Average copper temperature; note 1	operating	–	–	90	°C
Storage temperature		–25	–	+90	°C
Safety					
Flame retardant		in accordance with UL1413, category 94-V1			

Note

1. Measured by the resistance method.

FS Hi-Bri colour picture tube assembly

A41EAM40X14



The beginning of the windings is indicated with •

Fig.3 A41EAM40X14 deflection coils.

FS Black Matrix colour picture tube

A51EAL135X

FEATURES

- 'Flatter' and 'squarer' screen
- In-line, hi-bi potential ART (Aberration Reducing Triode) gun
- Mask with corner suspension
- HIGH GLOSS screen finish
- Cd-free phosphors
 - Pigmented deep red
 - Sulphide green
 - Pigmented sulphide blue
- Quick-heating low-power cathodes
- Soft-flash
- Slotted shadow mask optimized for minimum moiré at 525 and 625 line systems
- Internal magnetic shield
- Internal multipole
- The tube is supplied with a matched hybrid saddle toroidal deflection unit of the AT6035 series which forms a self-converging and raster correction free assembly
- Black Matrix technology.

QUICK REFERENCE DATA

PARAMETER	TYP.	UNIT
Deflection angle	90	deg
Minimum useful screen diagonal	51	cm
Overall length	44.4	cm
Glass transmission	52	%
Neck diameter	29.1	mm
Heater voltage	6.15	V
Heater current	315	mA
Anode voltage	27.5	kV
Focus voltage	31% of anode voltage	
Mass	≈14	kg

**FS Black Matrix
colour picture tube**

A51EAL135X

ELECTRICAL DATA

SYMBOL	PARAMETER	MIN.	TYP.	UNIT
Capacitances				
$C_{a(m+m')}$	anode to external conductive coating, including rimband	1600	–	pF
C_{kR}, C_{kG}, C_{kB}	cathode of any gun to all other electrodes	–	5	pF
C_{g1}	grid 1 to all other electrodes	–	17	pF
C_{g3}	grid 3 (focusing electrode) to all other electrodes	–	6	pF
Heating				
V_f	heater voltage at average beam current: indirect AC (preferably mains or line frequency) or DC	–	6.15	V
I_f	heater current	–	315	mA
Resistance				
R_{rim}	resistance between rimband and external conductive coating	50	–	MΩ

ELECTRO-OPTICAL DATA

PARAMETER	VALUE
Electron gun system	unitized triple-aperture electrodes; aberration reducing triode
Focus method	electrostatic
Focus lens	hi-bi potential
Deflection method	magnetic
Deflection angles	
diagonal	90°
vertical	78°
horizontal	60°

FS Black Matrix colour picture tube

A51EAL135X

OPTICAL DATA

PARAMETER	VALUE
Matrix	black opaque material, PVP technology
Screen	metal-backed vertical phosphor stripes; phosphor lines follow glass contour
Screen finish	high gloss
Nominal useful screen dimensions	
diagonal axis	509.8 mm
horizontal axis	411.2 mm
vertical axis	308.9 mm
area	1270 cm ²
Phosphor alignment	see Fig.1
Phosphors	
red	pigmented europium activated rare earth
green	Cd-free sulphide type
blue	pigmented sulphide type
Persistence	medium short
Centre-to-centre distance of identical colour phosphor stripes at centre of screen	≈0.69 mm
Light transmission of face glass at centre of screen	52%
Luminance at centre of screen; note 1	97 cd/m ²
Contrast	>20.1 dB

Note

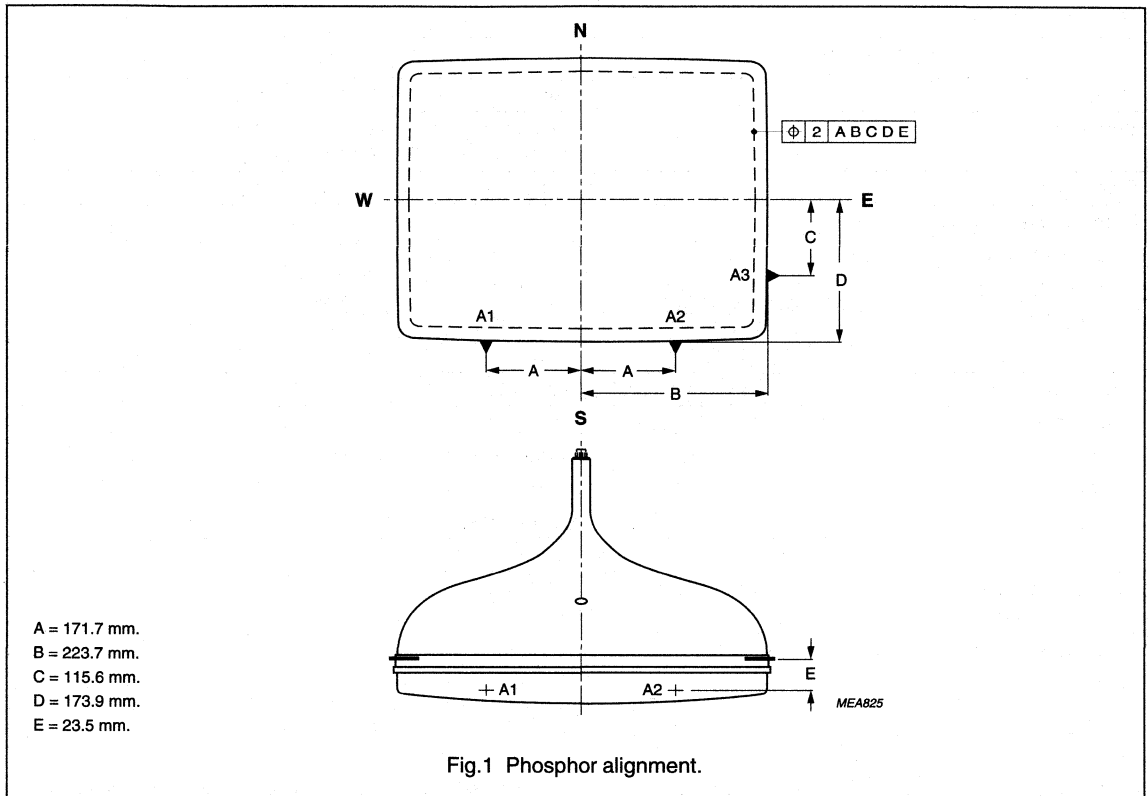
1. Tube settings adjusted to produce white D ($x = 0.313$, $y = 0.329$), focused raster, current density $0.4 \mu\text{A}/\text{cm}^2$.

Colour coordinates

COLOUR COORDINATE	x	y
Red	0.630	0.330
Green	0.295	0.595
Blue	0.155	0.065

FS Black Matrix colour picture tube

A51EAL135X



MECHANICAL DATA

See Figs 2 to 12.

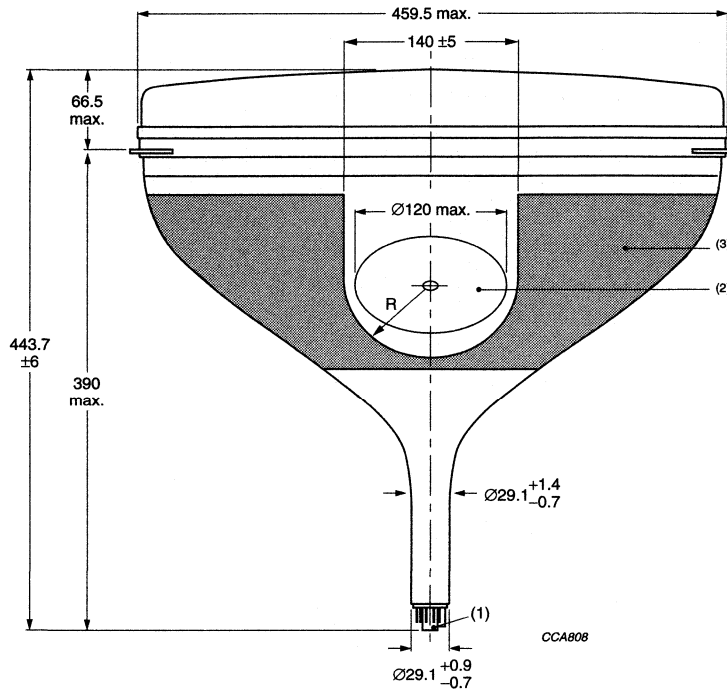
PARAMETER	VALUE
Overall length	443.7 ±6 mm
Bulb dimensions	
diagonal	<546.1 mm
horizontal	<455.6 mm
vertical	<359.6 mm
Neck diameter; note 1	29.1 +1.4/-0.7 mm
Base	JEDEC B10-277
Anode contact	small cavity contact JEDEC J1-21; IEC 67-III-2
Mounting position	anode contact on top
Implosion protection	shrunk-on rimband with integral mounting lugs
Mass	≈14 kg

Note

- In the region of 78.5 mm from the neck end, the maximum diameter is 30 mm.

FS Black Matrix colour picture tube

A51EAL135X



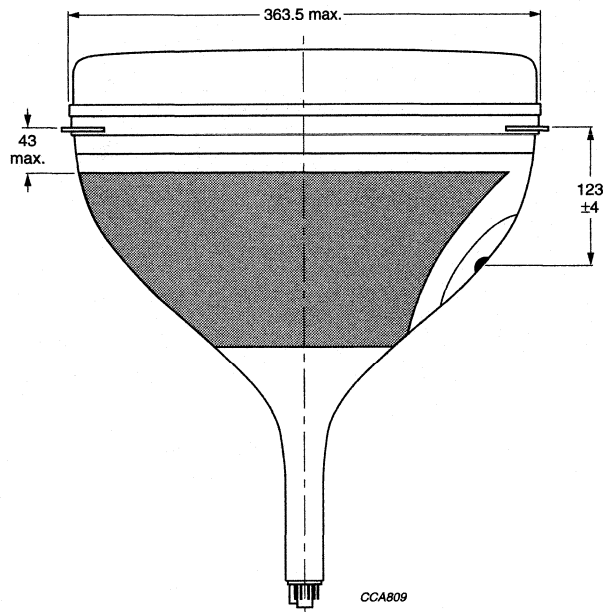
Dimensions in mm.

- (1) The socket for this base should not be rigidly mounted; it should have flexible leads and be allowed to move freely. After mounting of the tube in the cabinet note that the position of the base can fall within a circle, having a diameter of max. 50 mm concentric with an imaginary tube axis.
- (2) To clean this area, wipe only with a soft lint-free cloth.
- (3) Configuration of the outer conductive coating may vary but will contain the contact area as shown.

Fig.2 Tube dimensions; top view.

FS Black Matrix
colour picture tube

A51EAL135X

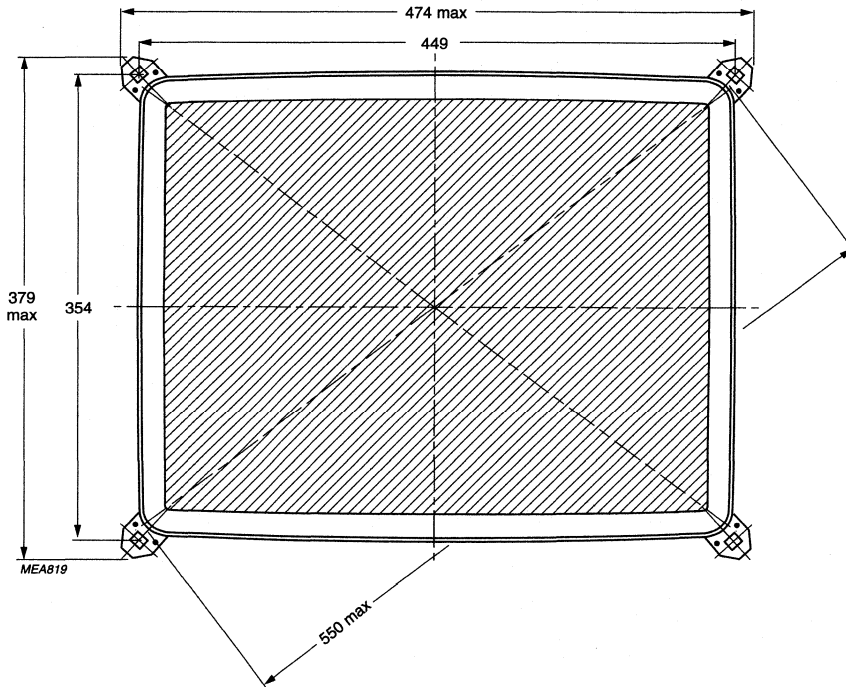


Dimensions in mm.

Fig.3 Tube dimensions; side view.

FS Black Matrix
colour picture tube

A51EAL135X

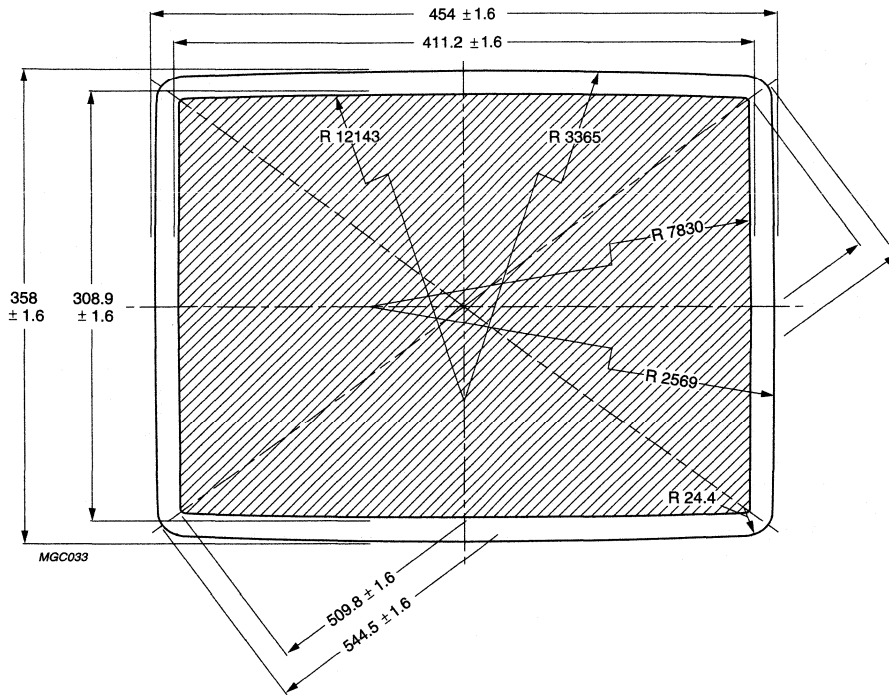


Dimensions in mm.

Fig.4 Tube dimensions; front view.

FS Black Matrix
colour picture tube

A51EAL135X

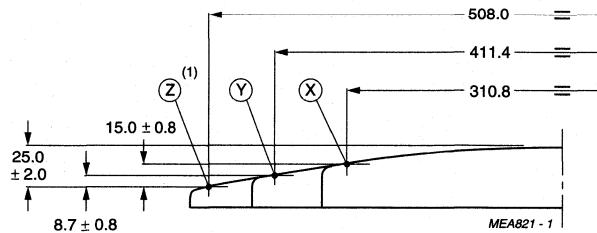


Dimensions in mm.

Fig.5 Phosphor and screen dimensions.

FS Black Matrix colour picture tube

A51EAL135X



Dimensions in mm.

(1) Coordinates for Z-point: X = 203.2, Y = 152.4.

The X, Y and Z reference points are located on the outside surface of the face plate on the minor, major and diagonal screen axis respectively.

The distance Z from any point on the screen to the centre can be calculated using the following formula:

$$Z = \left(A_1 \times X^{B_1} \right) + \left(A_2 \times Y^{B_2} \right) + \left(A_3 \times X^{B_3} \times Y^{B_4} \right)$$

Where:

$$A_1 = 2.33161 \times 10^{-4}$$

$$A_2 = 2.50647 \times 10^{-4}$$

$$A_3 = -9.31800 \times 10^{-11}$$

$$B_1 = 2.1$$

$$B_2 = 2.1$$

$$B_3 = 1.84082$$

$$B_4 = 2.65536$$

Fig.6 Screen reference points.

FS Black Matrix colour picture tube

A51EAL135X

Sagittal heights measured with respect to the end of the diagonal axis of the nominal useful screen

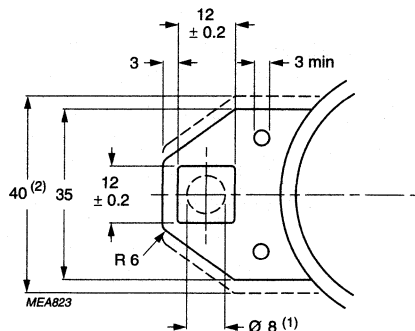
NOMINAL USEFUL SCREEN (NUS)			3 mm INSIDE NUS			5 mm OUTSIDE NUS		
COORDINATES		SAGITTAL HEIGHT (mm)	COORDINATES		SAGITTAL HEIGHT (mm)	COORDINATES		SAGITTAL HEIGHT (mm)
X (mm)	Y (mm)		X (mm)	Y (mm)		X (mm)	Y (mm)	
0.0	0.0	25.1	0.0	0.0	24.3	0.0	0.0	26.5
0.0 ⁽¹⁾	154.5	15.2	0.0	151.5	14.8	0.0	159.5	15.9
20.0	154.5	15.1	20.0	151.5	14.7	20.0	159.5	15.8
40.0	154.4	14.8	40.0	151.4	14.3	40.0	159.4	15.4
60.0	154.4	14.1	60.0	151.4	13.7	60.0	159.4	14.8
80.0	154.2	13.1	80.0	151.2	12.7	80.0	159.2	13.8
100.0	154.1	11.9	100.0	151.1	11.5	100.0	159.1	12.6
120.0	153.9	10.3	120.0	150.9	9.9	120.0	158.9	11.0
140.0	153.7	8.4	140.0	150.7	7.9	140.0	158.7	9.1
160.0	153.5	6.1	160.0	150.5	5.7	160.0	158.5	6.9
180.0	153.2	3.5	180.0	150.2	3.1	180.0	158.2	4.3
200.0	152.9	0.6	200.0	149.9	0.2	200.0	157.9	1.4
203.9 ⁽²⁾	152.8	0.0	201.0	149.8	0.0	208.8	157.7	0.0
204.0	150.0	0.3	–	–	–	–	–	–
204.3	130.0	2.4	201.3	130.0	2.0	209.3	130.0	2.9
204.6	110.0	4.1	201.6	110.0	3.8	209.6	110.0	4.6
204.9	90.0	5.5	201.9	90.0	5.2	209.9	90.0	6.1
205.1	70.0	6.7	202.1	70.0	6.4	210.1	70.0	7.2
205.2	50.0	7.5	202.2	50.0	7.2	210.2	50.0	8.0
205.3	30.0	8.1	202.3	30.0	7.8	210.3	30.0	8.6
205.4	10.0	8.3	202.4	10.0	8.1	210.4	10.0	8.8
205.4 ⁽³⁾	0.0	8.4	202.4	0.0	8.1	210.4	0.0	8.9

Notes

1. End of short axis.
2. End of diagonal axis.
3. End of long axis.

FS Black Matrix
colour picture tube

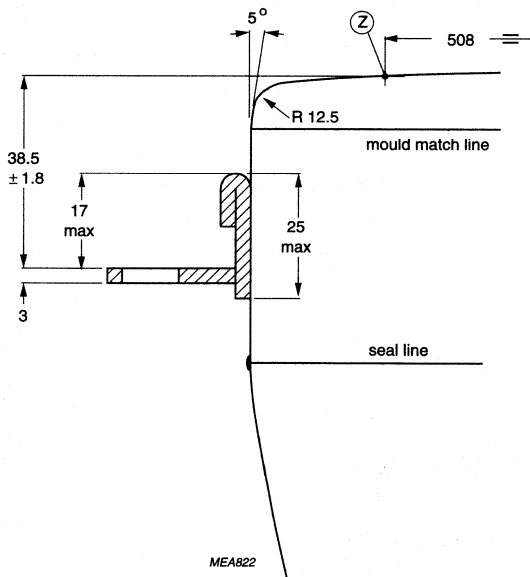
A51EAL135X



Dimensions in mm.

- (1) The position of the mounting screw in the cabinet must be within a circle of 8 mm diameter drawn around the true geometrical positions, i.e. the corners of a rectangle of 354.0 mm × 449.0 mm.
- (2) Minimum space to be reserved for mounting lug in cabinet.

Fig.7 Lug dimensions.



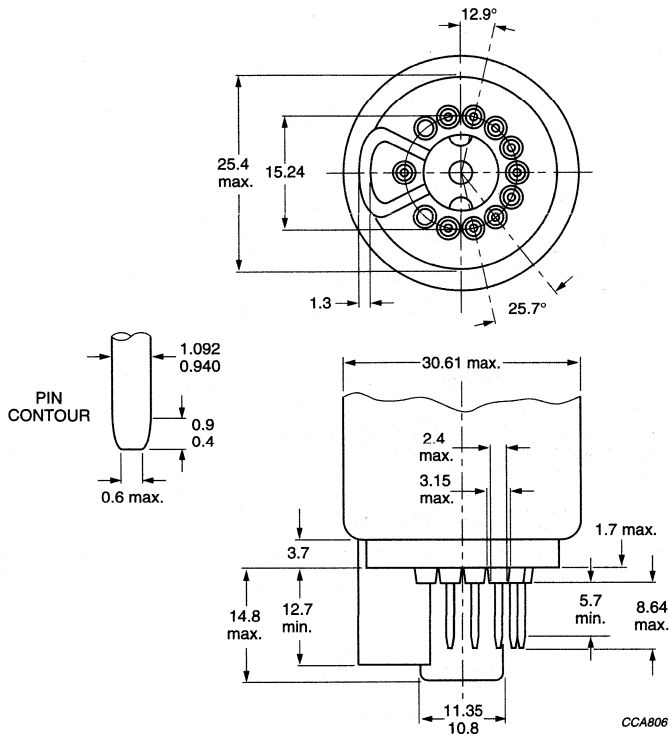
Dimensions in mm.

The displacement of any lug with respect to the plane through the three other lugs is max. 1.3 mm. This deviation is incorporated in the tolerance of ± 1.8 mm.

Fig.8 Lug position.

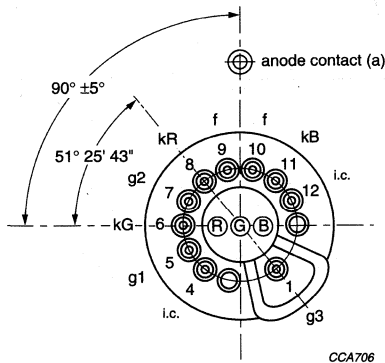
FS Black Matrix
colour picture tube

A51EAL135X



Dimensions in mm.

Fig.9 Base JEDEC B10-277.



i.c. = internally connected and not to be used.

Fig.10 Pin arrangement.

Remarks: to Figs 9 and 10.

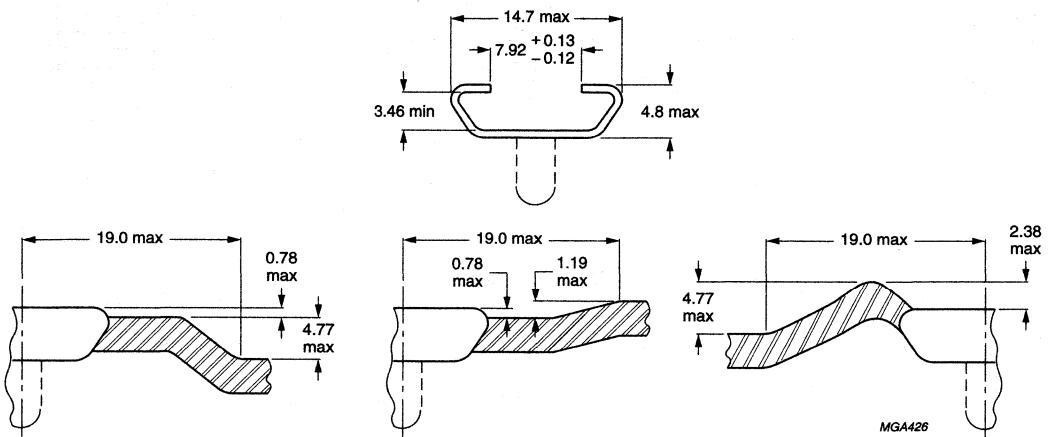
The socket for this base should not be rigidly mounted, it should have flexible leads and be allowed to move freely. After mounting the tube in the cabinet, note that the position of the base can fall within a circle, having a diameter of max. 40 mm concentric with an imaginary tube axis.

The mass of the mounting socket assembly should not exceed 150 g.

Maximum permissible torque on the tube neck is 0.04 Nm.

FS Black Matrix
colour picture tube

A51EAL135X



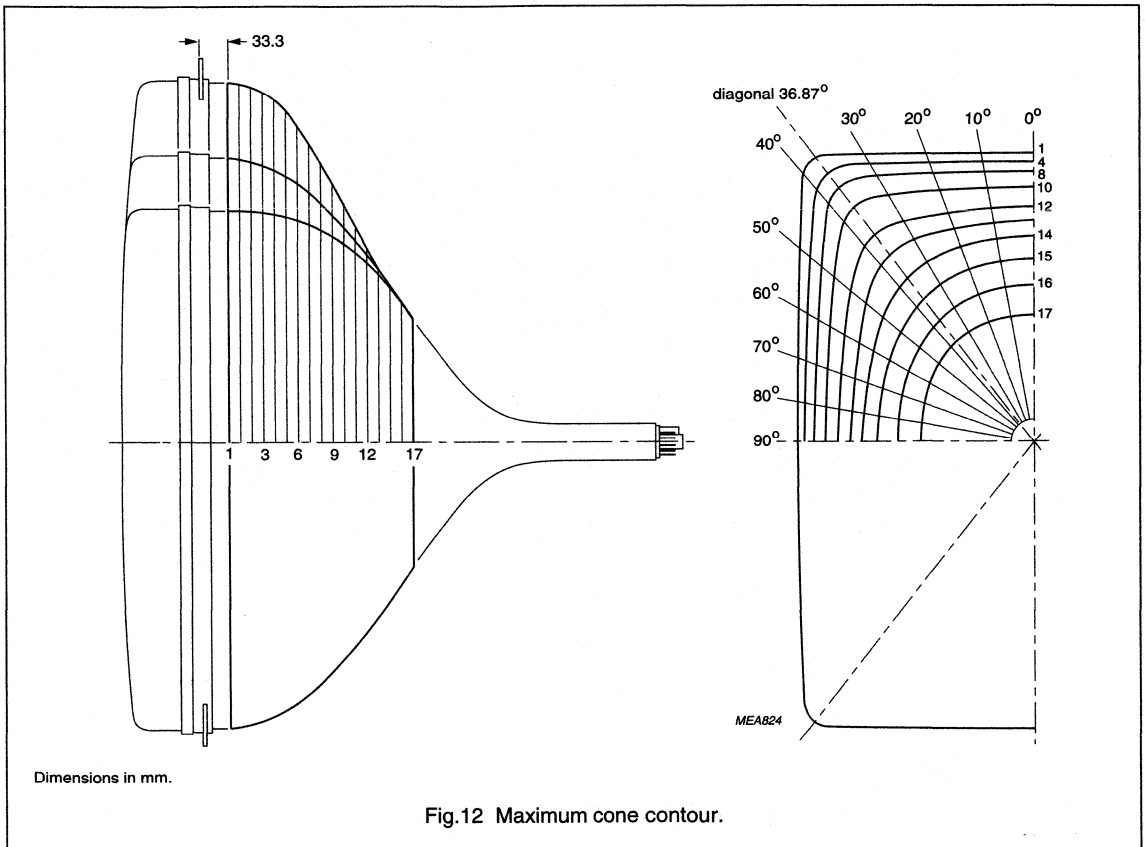
Dimensions in mm.

Fig.11 Cavity cap JEDEC J1-21, IEC 67-III-2.

FS Black Matrix
colour picture tube

A51EAL135X

Cone contour



FS Black Matrix colour picture tube

A51EAL135X

Cone contour data

SECTION	NOMINAL DISTANCE FROM SECTION 1 (mm)	MAXIMUM DISTANCE FROM TUBE AXIS (mm)										
		0°	10°	20°	30°	36.87°	40°	50°	60°	70°	80°	90°
1	0.0	225.7	228.9	239.1	257.6	271.8	267.2	227.9	203.1	187.9	179.6	177.0
2	10.0	224.6	227.7	237.7	255.9	270.0	265.3	226.7	201.9	186.8	178.6	175.9
3	20.0	221.8	224.8	234.3	251.1	264.3	259.6	222.9	198.9	184.2	176.1	173.5
4	30.0	218.1	220.9	229.6	244.5	254.7	250.6	217.9	195.1	180.9	173.1	170.6
5	40.0	213.8	216.4	224.1	236.5	243.1	239.6	212.0	190.9	177.3	169.9	167.5
6	50.0	208.7	211.0	217.7	227.5	231.3	228.4	205.6	186.3	173.6	166.5	164.2
7	60.0	202.6	204.5	210.0	217.5	219.5	217.0	198.5	181.0	169.3	162.6	160.5
8	70.0	195.1	196.8	201.3	206.9	207.6	205.4	190.3	175.1	164.4	158.3	156.3
9	80.0	186.2	187.6	191.4	195.6	195.4	193.5	181.3	168.4	158.9	153.3	151.5
10	90.0	175.6	176.9	180.1	183.3	182.8	181.1	171.4	160.7	152.5	147.6	146.0
11	100.0	163.6	164.6	167.4	169.9	169.2	167.9	160.4	151.9	145.2	141.0	139.6
12	110.0	150.3	151.3	153.8	155.7	154.7	153.6	147.9	141.7	136.6	133.4	132.3
13	120.0	136.4	137.3	139.3	140.4	139.5	138.6	134.5	130.3	126.8	124.6	123.9
14	130.0	122.1	122.8	124.4	124.9	124.0	123.3	120.7	118.2	116.1	114.7	114.3
15	140.0	107.5	107.7	108.2	108.6	108.4	108.2	107.0	105.7	104.5	103.8	103.5
16	150.0	92.6	92.3	92.3	92.6	92.8	92.9	92.9	92.6	92.1	91.6	91.4
17	159.5	78.1	78.1	78.1	78.1	78.1	78.1	78.1	78.1	78.1	78.1	78.1

HANDLING

During shipment and handling the tube should not be subjected to accelerations greater than 350 m/s² in any direction (at pulse ≤10 ms).

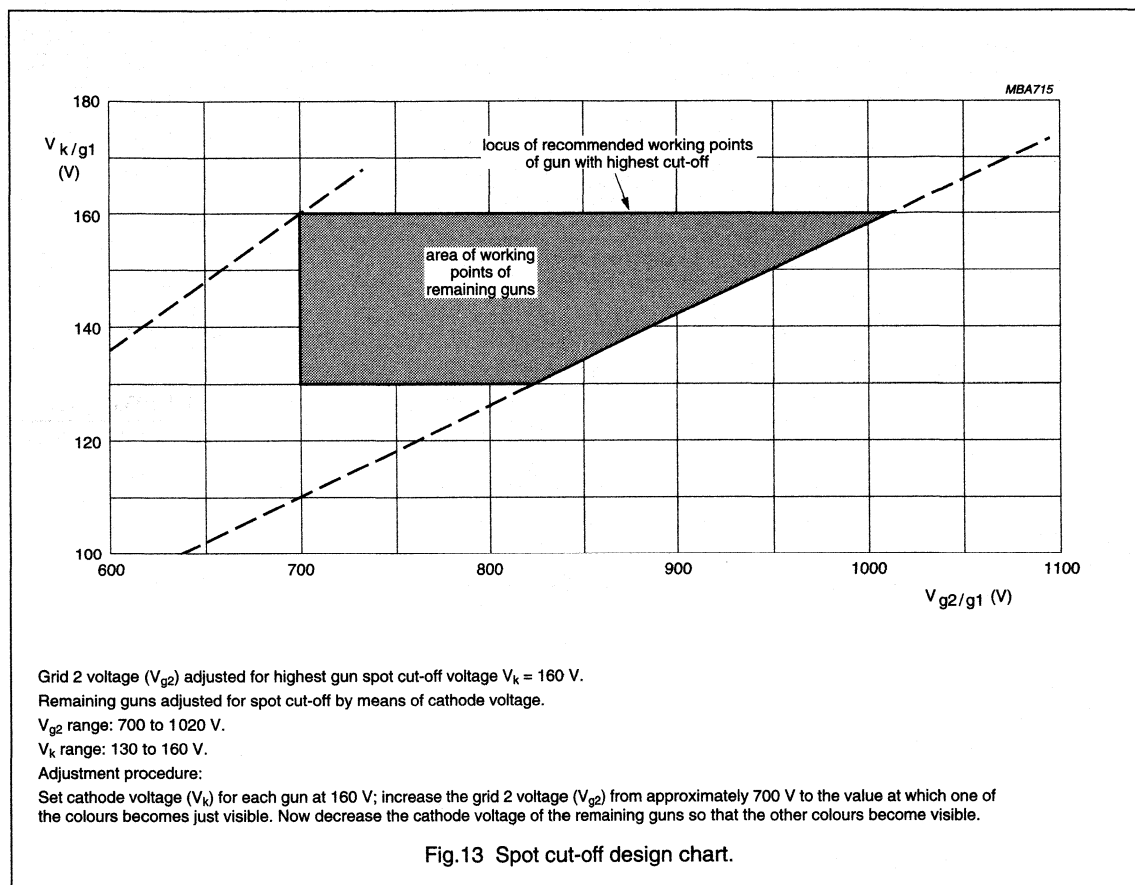
FS Black Matrix colour picture tube

A51EAL135X

OPERATING DATA

The voltages are specified with respect to grid 1.

SYMBOL	PARAMETER	CONDITIONS	MIN.	TYP.	MAX.	UNIT
$V_{a,g4}$	anode voltage	at full screen load	–	27.5	–	kV
V_{g3}	grid 3 (focus electrode) voltage		8.0	–	9.1	kV
V_{g2}	grid 2 voltage	for spot cut-off voltage $V_k = 160$ V	700	–	1020	V
V_f	heater voltage	tube operating	–	6.15	–	V



FS Black Matrix colour picture tube

A51EAL135X

CHASSIS DESIGN VALUES

The values are valid for anode voltages between 22 and 29.5 kV. The voltages are specified with respect to grid 1.

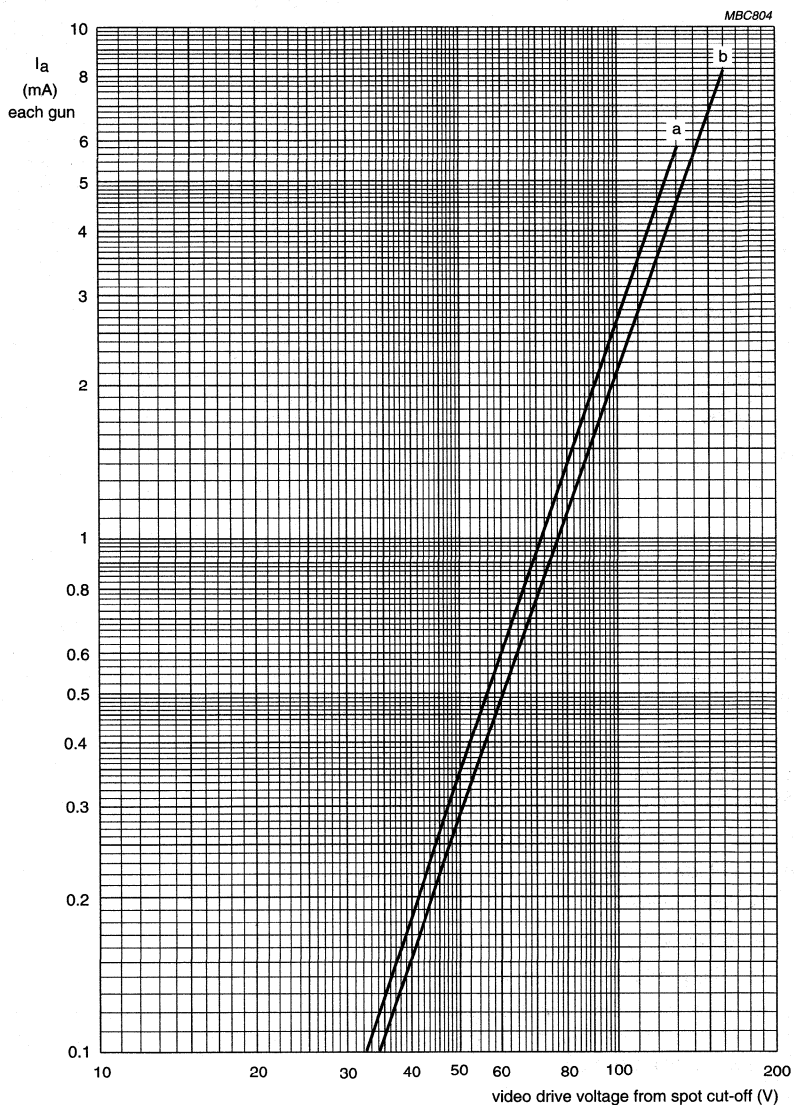
SYMBOL	PARAMETER	CONDITIONS	MIN.	TYP.	MAX.	UNIT
V_{g3}	grid 3 (focus electrode) voltage as a percentage of anode voltage		29	–	33	%
V_{g2} and V_k	grid 2 voltage and cathode voltage	for visual extinction of focused spot	see Fig.13			
ΔV_k	difference in cut-off voltage between guns in any tube		lowest value >80% of highest value			
V_f	heater voltage	tube operating	–	6.15	–	V
	video drive characteristics		note 1 and Fig.14			
I_{g3}	grid 3 (focus electrode) current		–2	–	+2	μA
I_{g2}	grid 2 current		–2	–	+2	μA
I_{g1}	grid 1 current	under cut-off conditions	–2	–	+2	μA
R_{ins}	insulation resistance	each cathode to grid 1 and heater	50	–	–	M Ω
Anode currents to produce white of 6500 K + 7 MPCD (CIE coordinates: x = 0.313; y = 0.329)						
PERCENTAGE OF THE TOTAL ANODE CURRENT SUPPLIED BY EACH GUN (TYPICAL)						
	red gun		–	41.3	–	%
	green gun		–	34.4	–	%
	blue gun		–	24.3	–	%
RATIO OF ANODE CURRENTS						
	red gun to green gun		0.85	1.20	1.55	
	red gun to blue gun		1.20	1.70	2.20	
	blue gun to green gun		0.40	0.70	1.00	

Note

- For optimum picture performance it is recommended that the cathodes are not driven below +1 V with respect to grid 1.

FS Black Matrix colour picture tube

A51EAL135X



$V_f = 6.15$ V.

$V_{a,g4} = 27.5$ kV.

V_{g3} adjusted for focus.

V_{g2} (each gun) adjusted to provide spot cut-off for $V_k = 130$ V (curve a) and $V_k = 160$ V (curve b).

Fig. 14 Typical cathode drive characteristics.

FS Black Matrix colour picture tube

A51EAL135X

LIMITING VALUES

In accordance with the Absolute Maximum Rating System (IEC 134). The voltages are specified with respect to grid 1.

SYMBOL	PARAMETER	CONDITIONS	MIN.	MAX.	UNIT
$V_{a,g4}$	anode voltage	notes 1 and 2	22 ⁽³⁾	31.0 ⁽⁴⁾	kV
I_a	long-term average current for three guns	note 5	–	1 000	μ A
V_{g3}	grid 3 (focus electrode) voltage		–	11	kV
V_{g2}	grid 2 voltage	note 6	–	1 200	V
V_f	heater voltage	note 7	5.7	6.6 ⁽⁴⁾	V
Cathode voltage					
V_k	positive	operating	–	250	V
		during blanking	–	400	V
V_k	positive operating cut-off		–	200	V
V_k	negative		–	0	V
V_{kp}	negative peak		–	–2	V
Cathode to heater voltage					
V_{kf}	positive		–	250	V
V_{kfp}	positive peak		–	300	V
V_{kf}	negative		–	–135	V
V_{kfp}	negative peak		–	–180	V
Circuit values					
R_{g3}	grid 3 circuit resistance		–	70	M Ω
R_{g2}	grid 2 circuit resistance		–	7	M Ω
R_{g1k}	grid 1 to cathode circuit resistance (each gun)		–	750	k Ω

Notes

1. During adjustment on the production line this value is likely to be surpassed considerably. It is therefore strongly recommended to first make the necessary adjustments for normal operation without the picture tube.
2. The picture tube does not emit X-radiation above 1 μ Sv/h when operated at 31.0 kV and 1.5 mA.
3. Operation of the tube at lower voltages impairs the luminance and resolution and may impair the convergence.
4. This value is an absolute maximum.
5. The short-term average anode current should be limited by circuitry to 1 500 μ A.
6. During adjustment on the production line maximum 1 500 V is permitted.
7. For maximum cathode life and optimum performance it is recommended that the heater supply is designed for 6.15 V at average beam current, for most applications this equals 6.3 V at zero beam current. **The heater supply source impedance must not be less than 2 Ω .**

BEAM CENTRING

Maximum centring error is 4 mm in any direction after colour purity, static convergence and horizontal centre line correction (measured with deflection coils at nominal position).

FS Black Matrix colour picture tube

A51EAL135X

FLASHOVER PROTECTION

The high voltages used with this tube (absolute max. 31.0 kV) may produce internal flashovers. Soft-flash technology limits these flashover currents to approximately 60 A offering higher reliability, optimum circuit protection and component savings.

Primary protective circuitry using properly grounded spark gaps and series isolation resistors (preferably carbon composition) is still necessary to prevent tube damage.

The spark gaps should be connected to all picture tube electrodes (except the tube heaters) at the tube socket in accordance with Fig. 15. No other connections between the outer conductive coating and the chassis are permissible. The spark gaps are permissible. The spark gaps should be designed for a maximum breakdown voltage at the focus electrode (g_3) of approximately 11.5 kV ($1.5 \times V_{g3}$ max. at $V_{a,g4} = 27.5$ kV) and at the other electrodes of 1.5 to 2 kV at the lowest operating atmospheric pressure.

The values of the series isolation resistors should be as high as possible (min. 1.5 k Ω) without causing deterioration of circuit performance. The resistors should be able to withstand an instantaneous surge of 20 kV for the focus circuit and 12 kV for the remaining circuits without arcing.

Additional information is available on request.

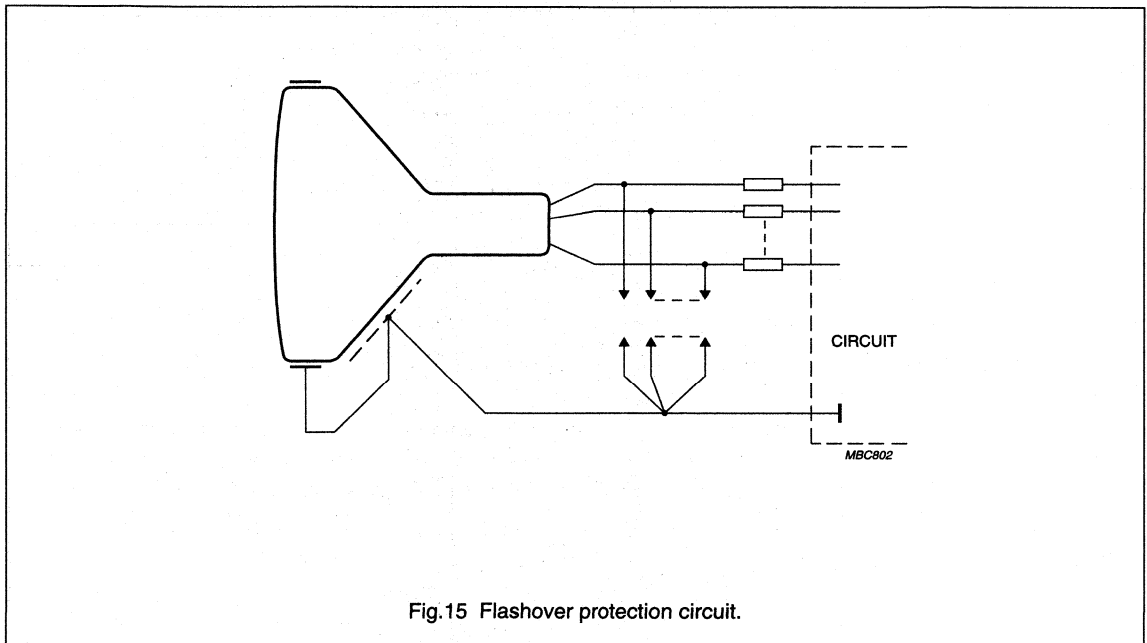


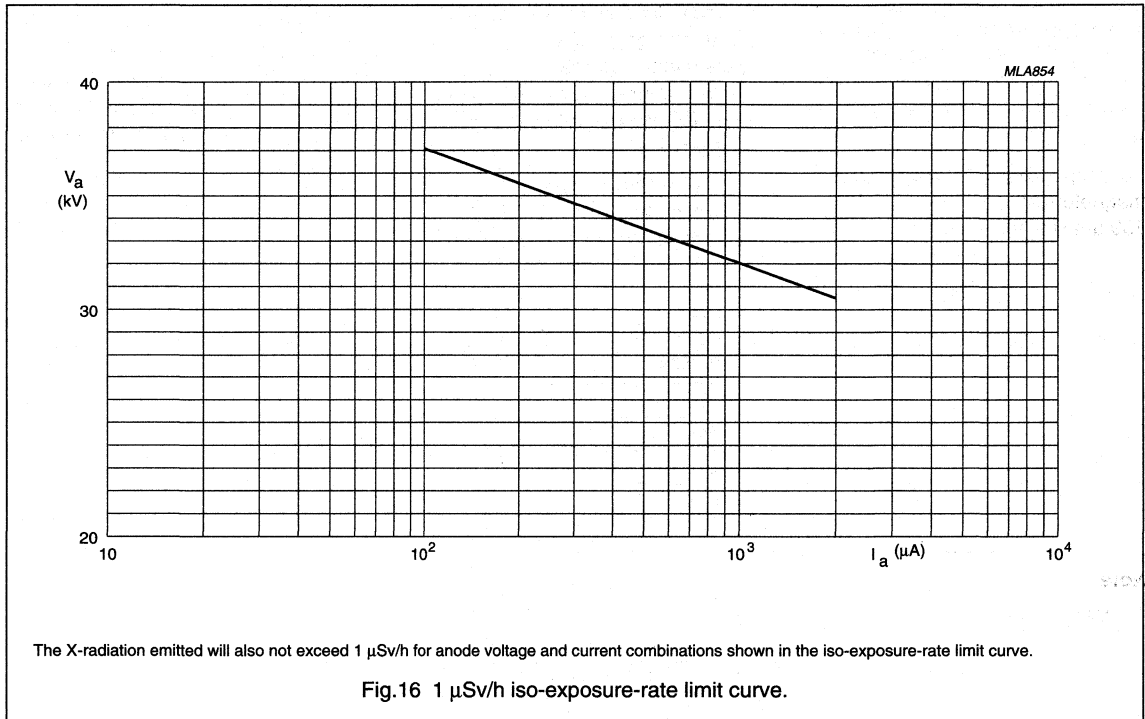
Fig.15 Flashover protection circuit.

FS Black Matrix colour picture tube

A51EAL135X

X-RADIATION

The tube does not emit X-radiation above 1 $\mu\text{Sv/h}$ when operated at 31.0 kV and 1.5 mA.



FS Black Matrix colour picture tube

A51EAL135X

DEGAUSSING

The picture tube is provided with an internal magnetic shield. This shield and the shadow mask with its suspension system may be provided with an automatic degaussing system, consisting of one or two coil windings mounted on the cone of the picture tube.

For proper degaussing an initial magnetomotive force (MMF) of 300 ampere-turns for double-coil

systems and 700 ampere-turns for single-coil systems is required in each coil. This MMF has to be gradually decreased using appropriate degaussing circuitry. In the steady state, no significant MMF should remain in the coil(s) (≤ 0.3 ampere-turns for double-coils and ≤ 0.6 ampere-turns for single-coils).

To prevent beam landing disturbances by line-frequency currents induced in the degaussing

coils, these coils should be shunted by a capacitor of sufficiently high value.

If single-phase power rectification is employed in the TV circuitry, provision should be included to prevent asymmetric distortion of the AC voltage applied to the degaussing circuit due to high DC inrush currents.

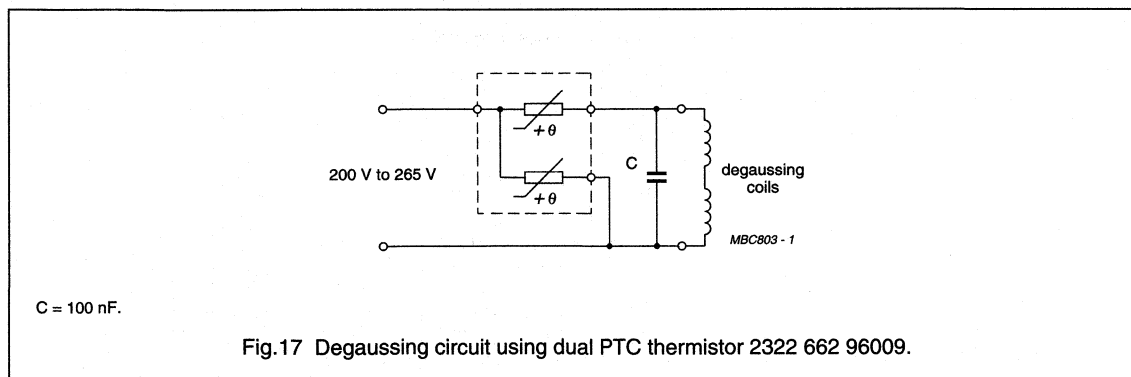
An example of a degaussing circuit and coil data is given in Fig.17 and Table "Degaussing coil data".

Degaussing coil data

PARAMETER	DOUBLE-COIL SYSTEM	SINGLE-COIL SYSTEM	CONTINUOUS-COIL SYSTEM	UNIT
Circumference	125	139	248	cm
Number of turns	60	140	140	
Copper wire diameter	0.4	0.4	0.4	mm
Aluminium wire diameter	0.5	0.5	0.5	mm
Resistance	22 ⁽¹⁾	27	47	Ω

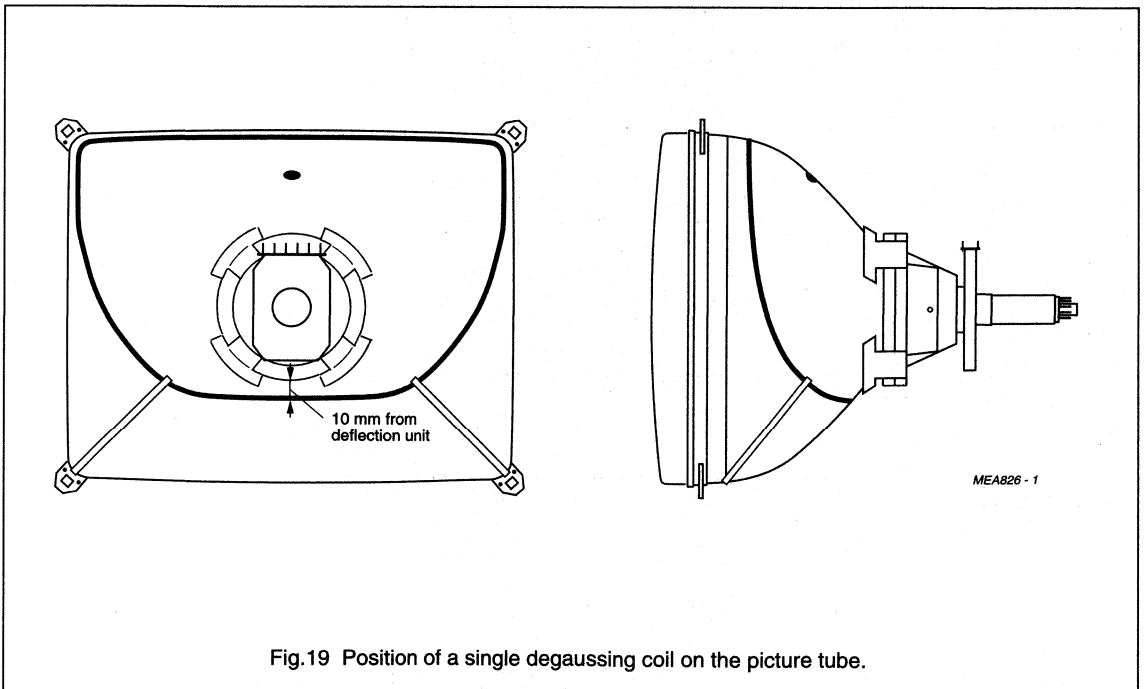
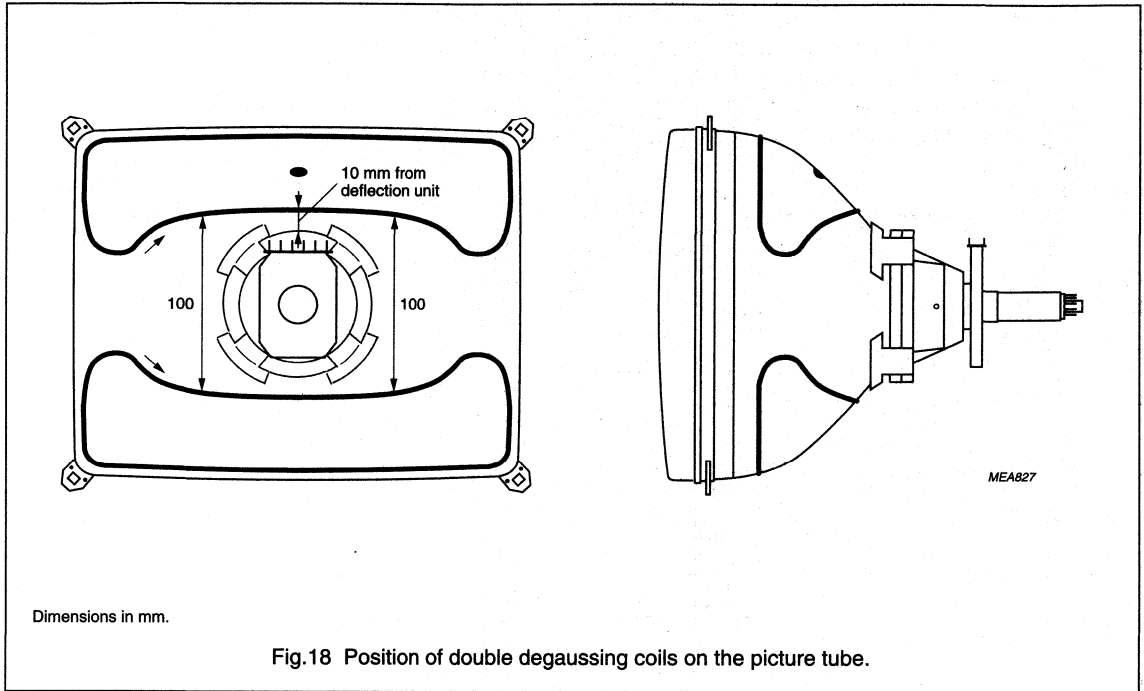
Note

1. Series connected.



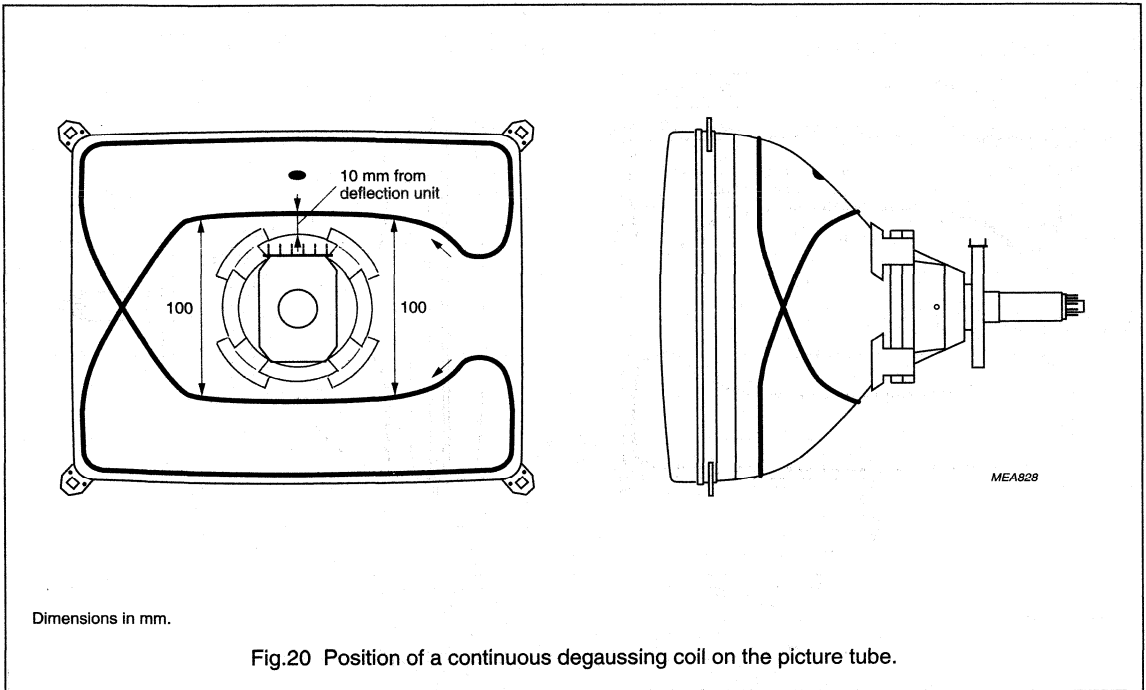
FS Black Matrix
colour picture tube

A51EAL135X



FS Black Matrix
colour picture tube

A51EAL135X



FS Black Matrix colour picture tube assembly

A51EAL135X01

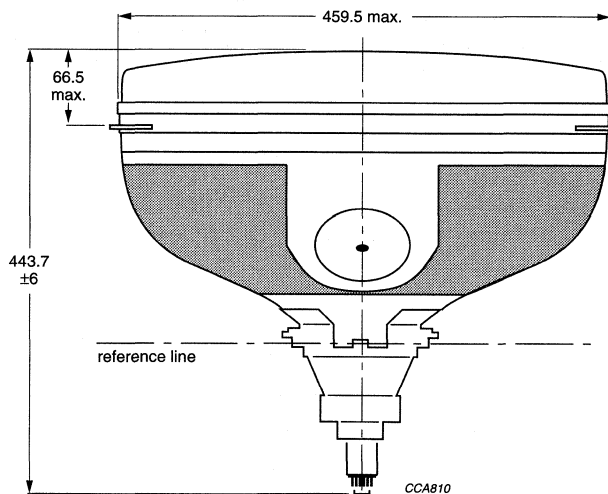
FEATURES

- Factory preset tube/coil assembly
- Self-converging and raster correction free
- 51 cm, 90° colour picture tube A51EAL135X
- Hybrid saddle toroidal deflection unit AT6035/04.

QUICK REFERENCE DATA

PARAMETER	TYP.	UNIT
Deflection angle	90	deg
Minimum useful screen diagonal	51	cm
Overall length	44.4	cm
Neck diameter	29.1	mm
Anode voltage	27.5	kV
Mass	≈16	kg

MECHANICAL DATA

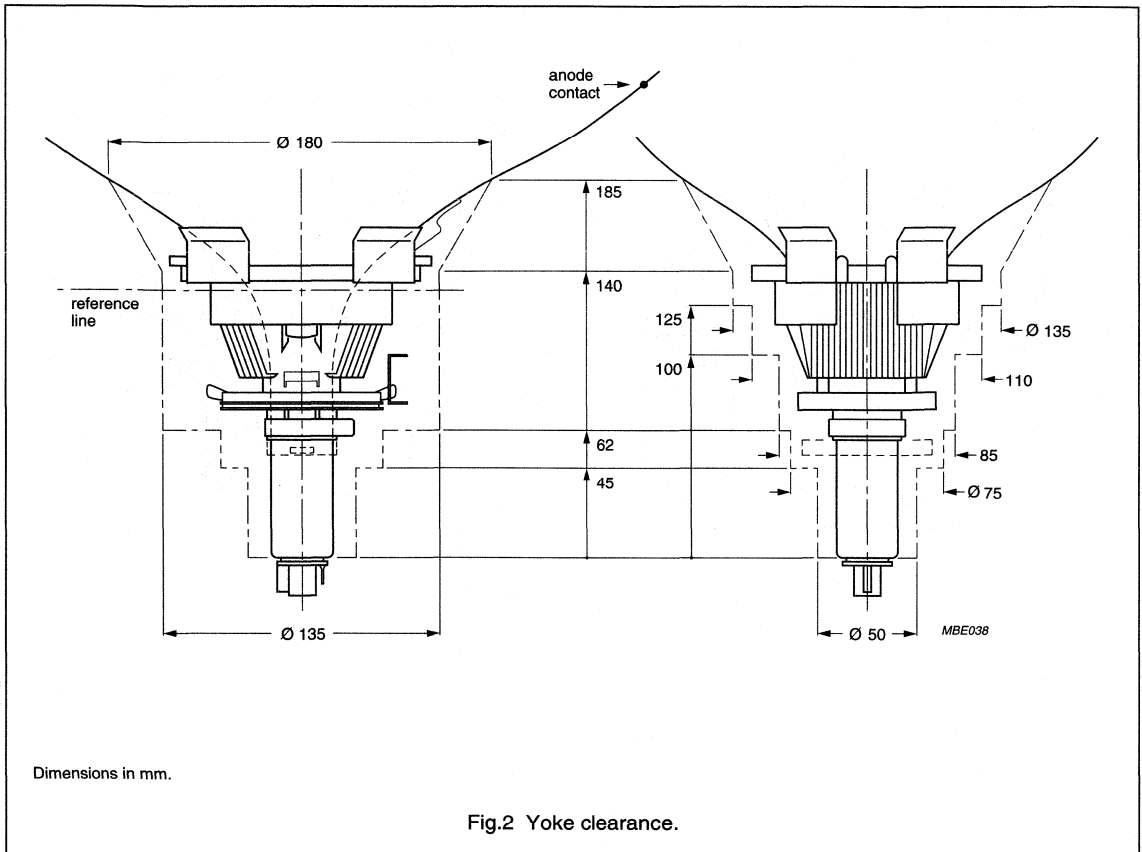


Dimensions in mm.

Fig.1 Tube assembly.

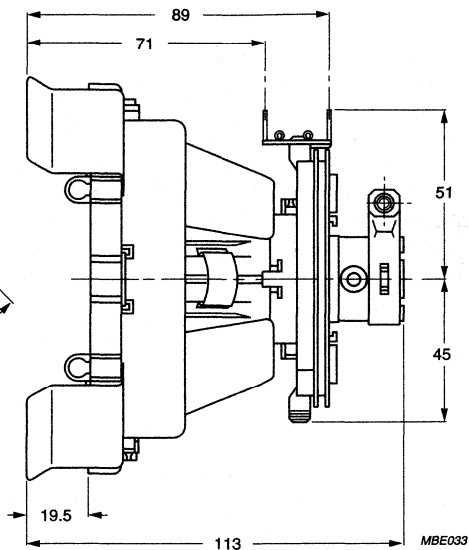
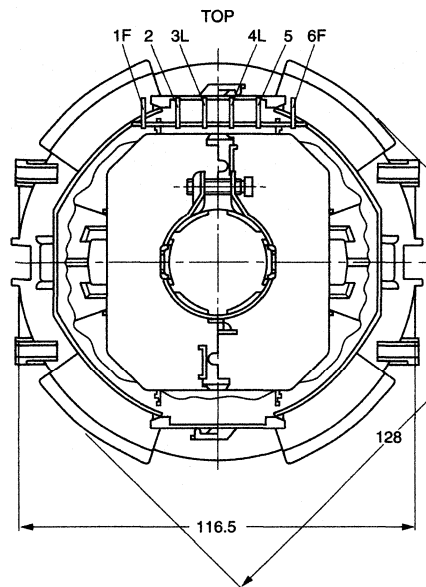
FS Black Matrix colour picture tube assembly

A51EAL135X01



FS Black Matrix
colour picture tube assembly

A51EAL135X01



Dimensions in mm.

Fig.3 Deflection unit.

FS Black Matrix colour picture tube assembly

A51EAL135X01

DEFLECTION COIL DATA

Voltages are specified with respect to grid 1. The values are valid for an anode voltage of 27.5 kV.

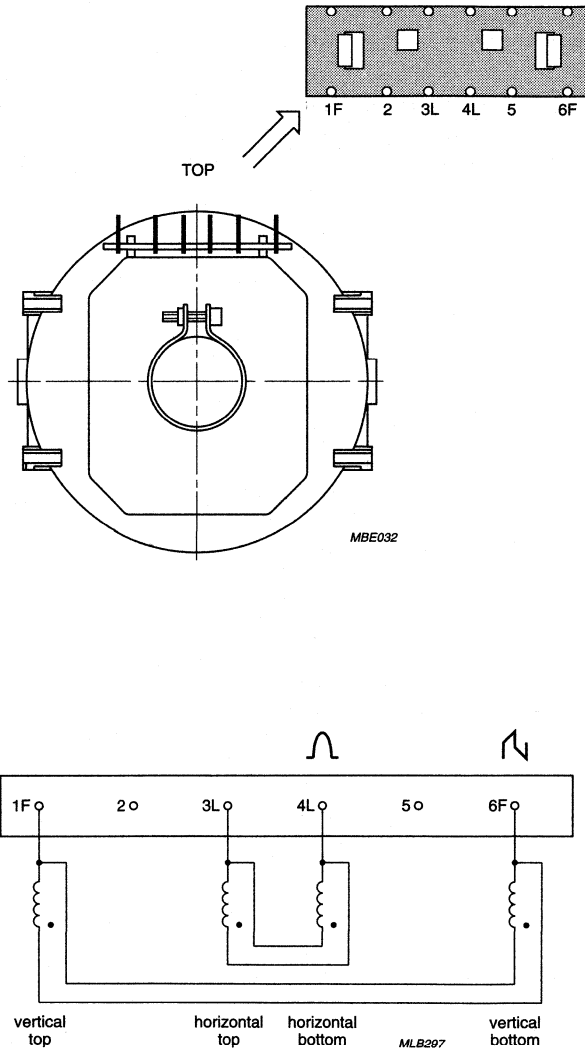
PARAMETER	CONDITIONS	MIN.	TYP.	MAX.	UNIT
Horizontal coils, parallel connected					
Inductance	1 V (RMS); 1 kHz	1.92	2.00	2.08	mH
Resistance	$T_{amb} = 25\text{ }^{\circ}\text{C}$	2.12	2.35	2.59	Ω
Magnetic flux		6.11	6.20	6.29	mWb
Horizontal deflection current (peak-to-peak value)	edge-to-edge; $V_a = 27.5\text{ kV}$	–	3.10	–	A
Vertical coils, parallel connected					
Inductance	1 V (RMS); 1 kHz	17.6	19.5	21.5	mH
Resistance	$T_{amb} = 25\text{ }^{\circ}\text{C}$	9.4	10.1	10.8	Ω
Vertical deflection current (peak-to-peak value)	edge-to-edge; $V_a = 27.5\text{ kV}$	–	1.17	–	A
Deflection unit					
Insulation resistance	1 kV				
between horizontal and vertical coils		500	–	–	M Ω
between horizontal coil and yoke ring		500	–	–	M Ω
between vertical coil and yoke ring		10	–	–	M Ω
Cross-talk from horizontal to vertical coils	10 V; 15625 Hz across the horizontal coils	–	–	0.2	V
Average copper temperature	note 1	–	–	90	$^{\circ}\text{C}$
Storage temperature		–25	–	+90	$^{\circ}\text{C}$
Safety					
Flame retardant		in accordance with UL1413, category 94-V1			

Note

1. Measured by the resistance method.

FS Black Matrix
colour picture tube assembly

A51EAL135X01



The beginning of the windings is indicated with •

Fig.4 Deflection coil connections.

FS Black Matrix colour picture tube assembly

A51EAL135X13

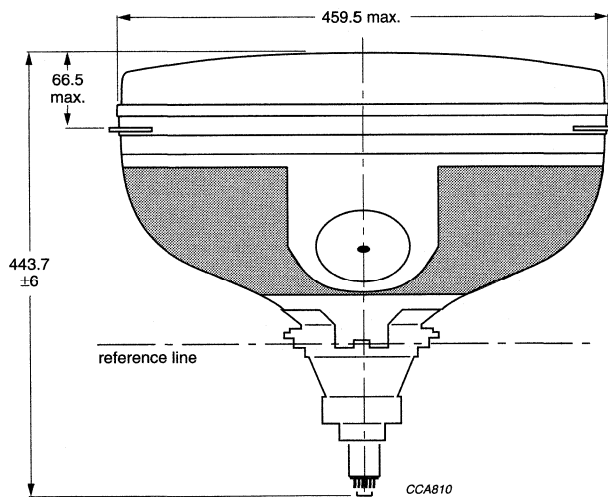
FEATURES

- Factory preset tube/coil assembly
- Self-converging and raster correction free
- 51 cm, 90° colour picture tube A51EAL135X
- Hybrid saddle toroidal deflection unit AT6035/13
- Picture tube coil assembly has been tested and certified by BSI to "BS415" and "IEC 65" and is covered by "Certificate number 7641" (mains isolation).

QUICK REFERENCE DATA

PARAMETER	TYP.	UNIT
Deflection angle	90	deg
Minimum useful screen diagonal	51	cm
Overall length	44.4	cm
Glass transmission	52	%
Neck diameter	29.1	mm
Anode voltage	27.5	kV
Mass	≈16	kg

MECHANICAL DATA

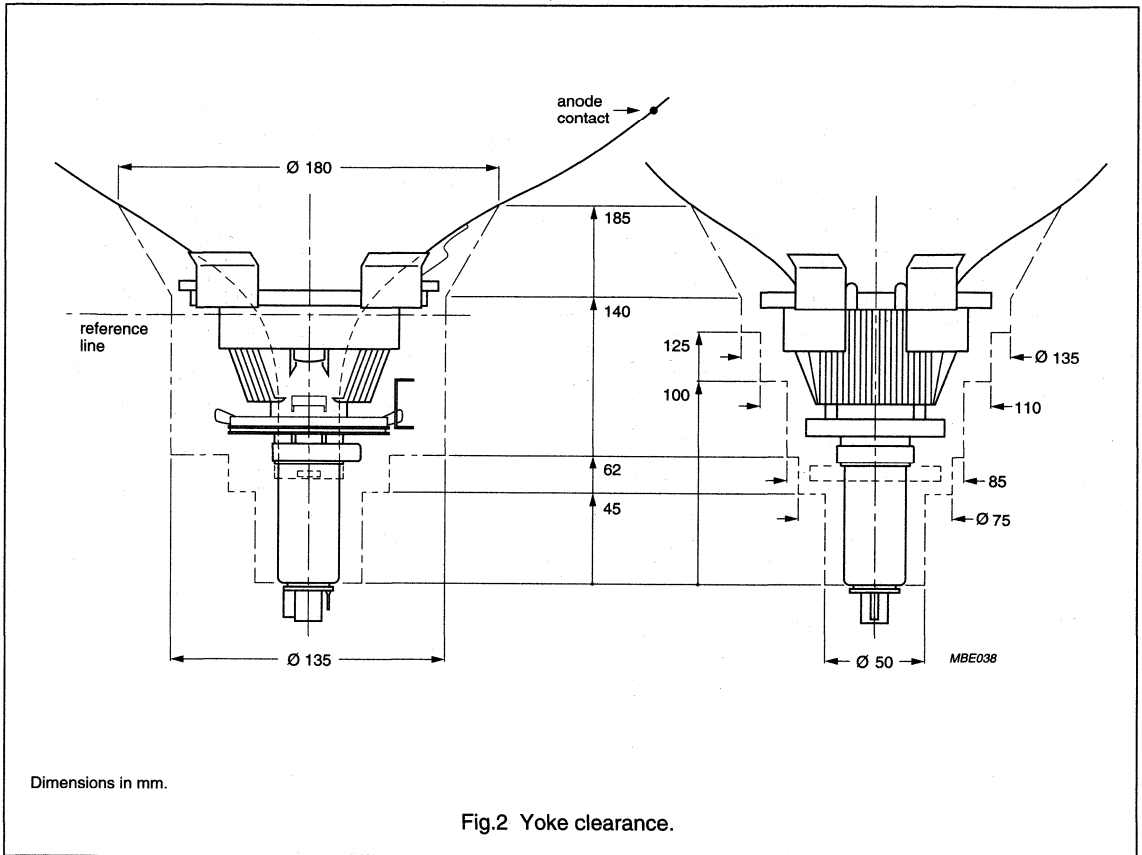


Dimensions in mm.

Fig.1 Tube assembly.

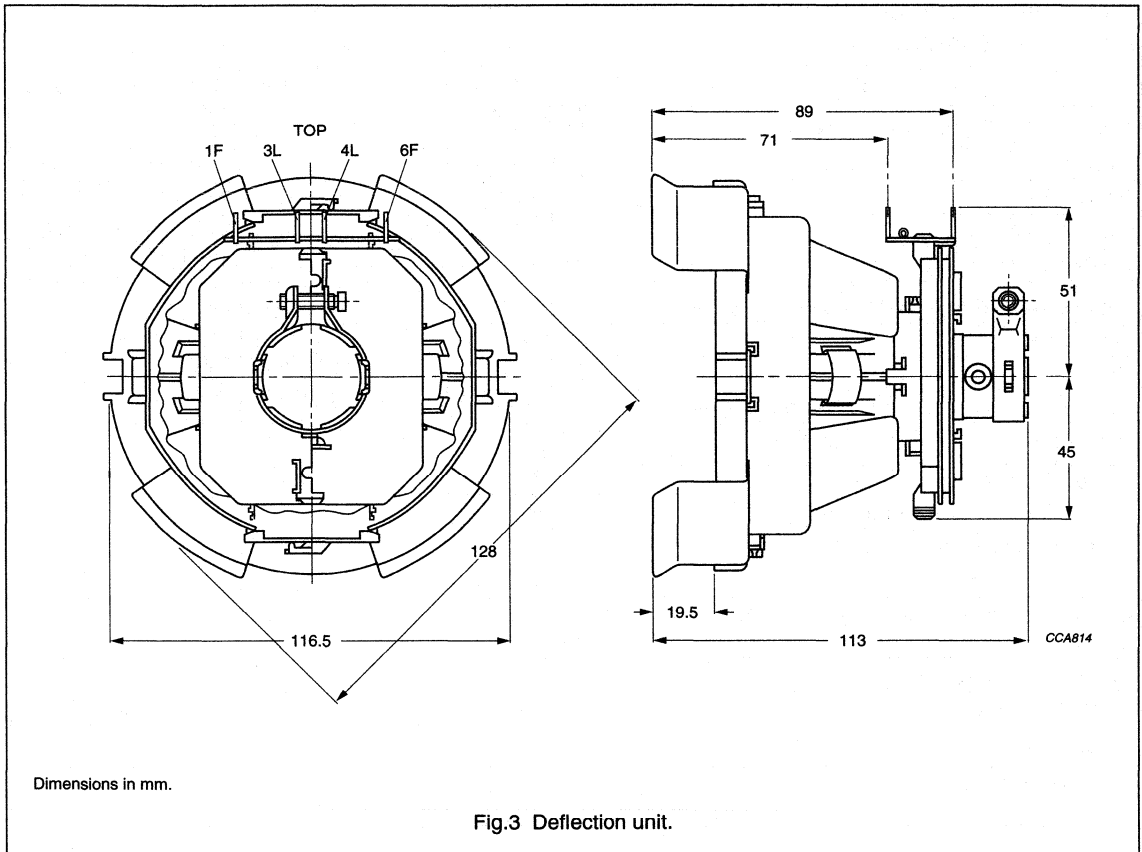
FS Black Matrix colour picture tube assembly

A51EAL135X13



**FS Black Matrix
colour picture tube assembly**

A51EAL135X13



IEC REQUIREMENTS

The deflection coil is identified by a blue connection board which meets the IEC requirements.

In order to meet the IEC requirements, that the distances between the graphite layer on the picture tube and the deflection coil are maintained, it is important that care is taken with the routing of the earthing straps in this area.

In order to maintain the IEC requirements this picture tube should only be replaced by a tube with the same order number.

FS Black Matrix colour picture tube assembly

A51EAL135X13

DEFLECTION COIL DATA

Voltages are specified with respect to grid 1. The values are valid for an anode voltage of 27.5 kV.

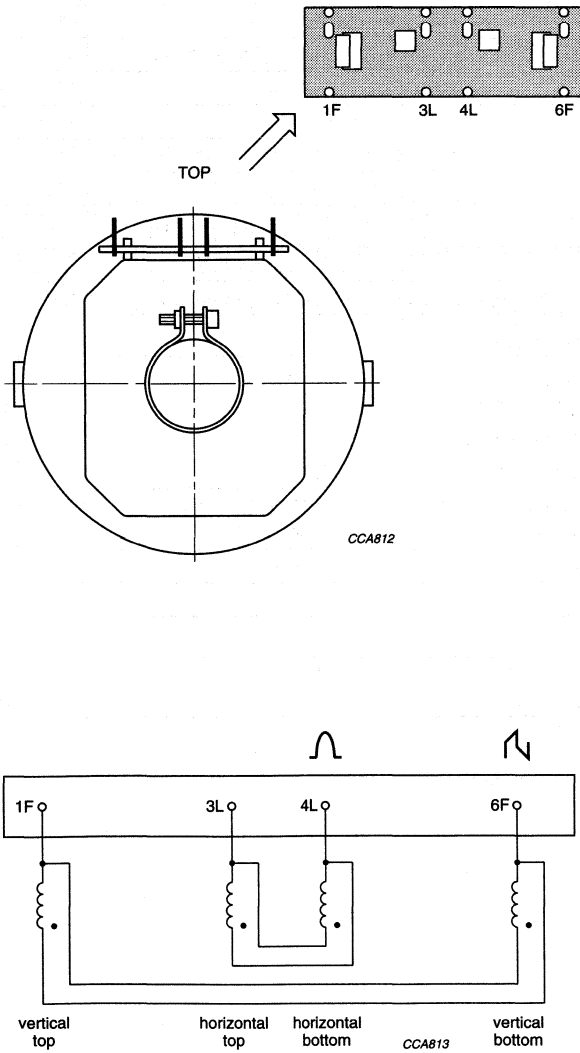
PARAMETER	CONDITIONS	MIN.	TYP.	MAX.	UNIT
Horizontal coils, parallel connected					
Inductance	1 V (RMS); 1 kHz	1.63	1.70	1.77	mH
Resistance	$T_{amb} = 25\text{ }^{\circ}\text{C}$	1.8	2.0	2.2	Ω
Magnetic flux		5.60	5.69	5.78	mWb
Horizontal deflection current (peak-to-peak value)	edge-to-edge; $V_a = 27.5\text{ kV}$	–	3.35	–	A
Vertical coils, parallel connected					
Inductance	1 V (RMS); 1 kHz	17.6	19.5	21.5	mH
Resistance	$T_{amb} = 25\text{ }^{\circ}\text{C}$	9.4	10.1	10.8	Ω
Vertical deflection current (peak-to-peak value)	edge-to-edge; $V_a = 27.5\text{ kV}$	–	1.17	–	A
Deflection unit					
Insulation resistance	1 kV				
between horizontal and vertical coils		500	–	–	M Ω
between horizontal coil and yoke ring		500	–	–	M Ω
between vertical coil and yoke ring		10	–	–	M Ω
Cross-talk from horizontal to vertical coils	10 V; 15625 Hz across the horizontal coils	–	–	0.2	V
Average copper temperature	note 1	–	–	90	$^{\circ}\text{C}$
Storage temperature		–25	–	+90	$^{\circ}\text{C}$
Safety					
Flame retardant		in accordance with UL1413, category 94-V1			

Note

1. Measured by the resistance method.

FS Black Matrix
colour picture tube assembly

A51EAL135X13



The beginning of the windings is indicated with •

Fig.4 Deflection coil connections.

FS Black Matrix colour picture tube

A51EAL155X

FEATURES

- 'Flatter' and 'squarer' screen
- In-line, hi-bi potential ART (Aberration Reducing Triode) gun
- Mask with corner suspension
- HIGH GLOSS screen finish
- Cd-free phosphors
 - Pigmented deep red
 - Sulphide green
 - Pigmented sulphide blue
- Quick-heating low-power cathodes
- Soft-flash
- Slotted shadow mask optimized for minimum moiré at 525 and 625 line systems
- Internal magnetic shield
- Internal multipole
- The tube is supplied with a matched hybrid saddle toroidal deflection unit of the AT6035 series which forms a self-converging and raster correction free assembly
- Black Matrix technology
- Dark screen tube with increased EHT for improved contrast/brightness performance.

QUICK REFERENCE DATA

PARAMETER	TYP.	UNIT
Deflection angle	90	deg
Minimum useful screen diagonal	51	cm
Overall length	44.4	cm
Glass transmission	41	%
Neck diameter	29.1	mm
Heater voltage	6.15	V
Heater current	315	mA
Anode voltage	27.5	kV
Focus voltage	31% of anode voltage	
Mass	≈14	kg

FS Black Matrix colour picture tube

A51EAL155X

ELECTRICAL DATA

SYMBOL	PARAMETER	MIN.	TYP.	UNIT
Capacitances				
$C_{a(m+m')}$	anode to external conductive coating, including rimband	1600	–	pF
C_{kR}, C_{kG}, C_{kB}	cathode of any gun to all other electrodes	–	5	pF
C_{g1}	grid 1 to all other electrodes	–	17	pF
C_{g3}	grid 3 (focusing electrode) to all other electrodes	–	6	pF
Heating				
V_f	heater voltage at average beam current: indirect AC (preferably mains or line frequency) or DC	–	6.15	V
I_f	heater current	–	315	mA
Resistance				
R_{rim}	resistance between rimband and external conductive coating	50	–	MΩ

ELECTRO-OPTICAL DATA

PARAMETER	VALUE
Electron gun system	unitized triple-aperture electrodes; aberration reducing triode
Focus method	electrostatic
Focus lens	hi-bi potential
Deflection method	magnetic
Deflection angles	
diagonal	90°
vertical	78°
horizontal	60°

FS Black Matrix colour picture tube

A51EAL155X

OPTICAL DATA

PARAMETER	VALUE
Matrix	black opaque material, PVP technology
Screen	metal-backed vertical phosphor stripes; phosphor lines follow glass contour
Screen finish	high gloss
Nominal useful screen dimensions	
diagonal axis	509.8 mm
horizontal axis	411.2 mm
vertical axis	308.9 mm
area	1 270 cm ²
Phosphor alignment	see Fig.1
Phosphors	
red	pigmented europium activated rare earth
green	Cd-free sulphide type
blue	pigmented sulphide type
Persistence	medium short
Centre-to-centre distance of identical colour phosphor stripes at centre of screen	≈0.69 mm
Light transmission of face glass at centre of screen	41%
Luminance at centre of screen; note 1	78 cd/m ²
Contrast	>20.1 dB

Note

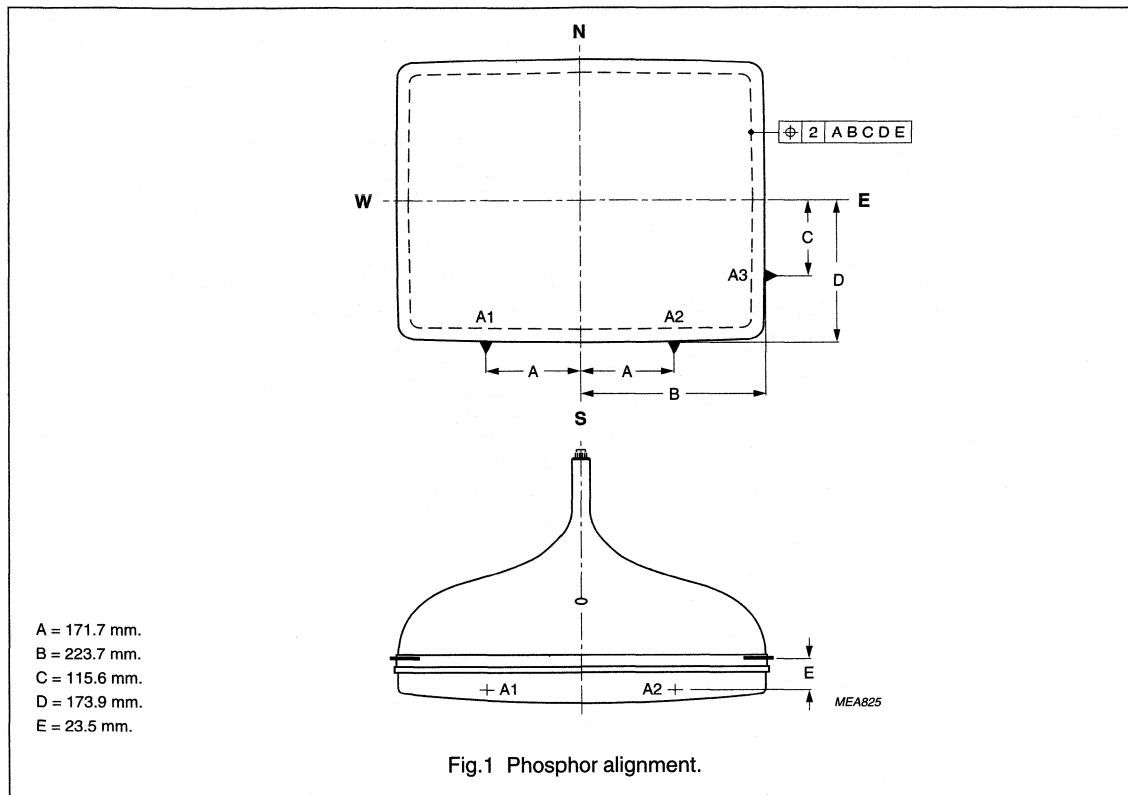
1. Tube settings adjusted to produce white D ($x = 0.313$, $y = 0.329$), focused raster, current density $0.4 \mu\text{A}/\text{cm}^2$.

Colour coordinates

COLOUR COORDINATE	x	y
Red	0.630	0.330
Green	0.295	0.595
Blue	0.155	0.065

FS Black Matrix colour picture tube

A51EAL155X



MECHANICAL DATA

See Figs 2 to 12.

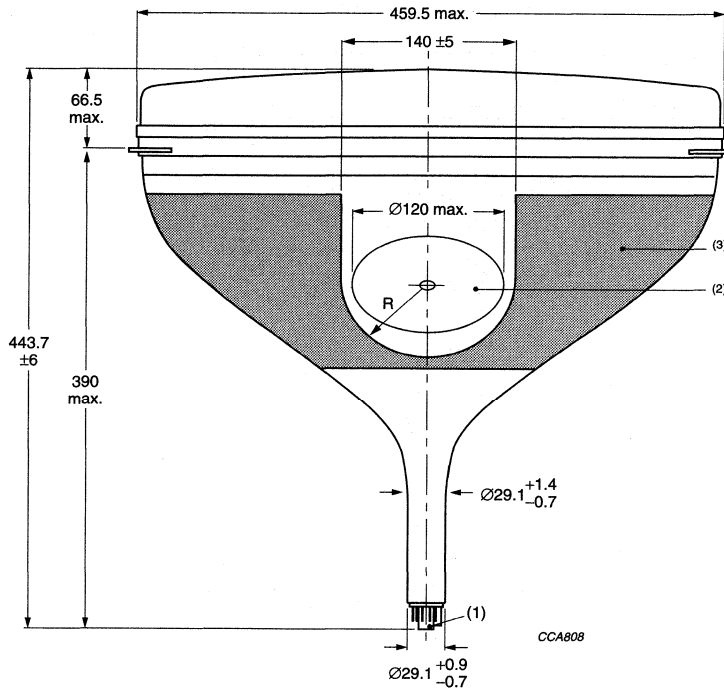
PARAMETER	VALUE
Overall length	443.7 ±6 mm
Bulb dimensions	
diagonal	<546.1 mm
horizontal	<455.6 mm
vertical	<359.6 mm
Neck diameter; note 1	29.1 +1.4/-0.7 mm
Base	JEDEC B10-277
Anode contact	small cavity contact JEDEC J1-21; IEC 67-III-2
Mounting position	anode contact on top
Implosion protection	shrunk-on rimband with integral mounting lugs
Mass	≈14 kg

Note

1. In the region of 78.5 mm from the neck end, the maximum diameter is 30 mm.

FS Black Matrix colour picture tube

A51EAL155X



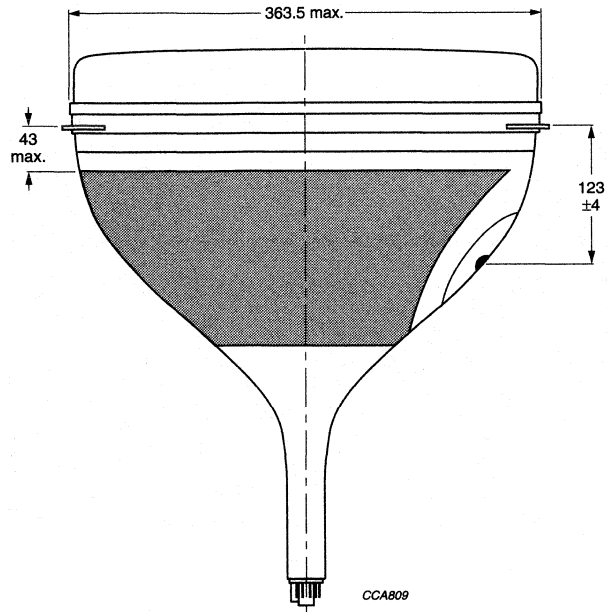
Dimensions in mm.

- (1) The socket for this base should not be rigidly mounted; it should have flexible leads and be allowed to move freely. After mounting of the tube in the cabinet note that the position of the base can fall within a circle, having a diameter of max. 50 mm concentric with an imaginary tube axis.
- (2) To clean this area, wipe only with a soft lint-free cloth.
- (3) Configuration of the outer conductive coating may vary but will contain the contact area as shown.

Fig.2 Tube dimensions; top view.

FS Black Matrix
colour picture tube

A51EAL155X

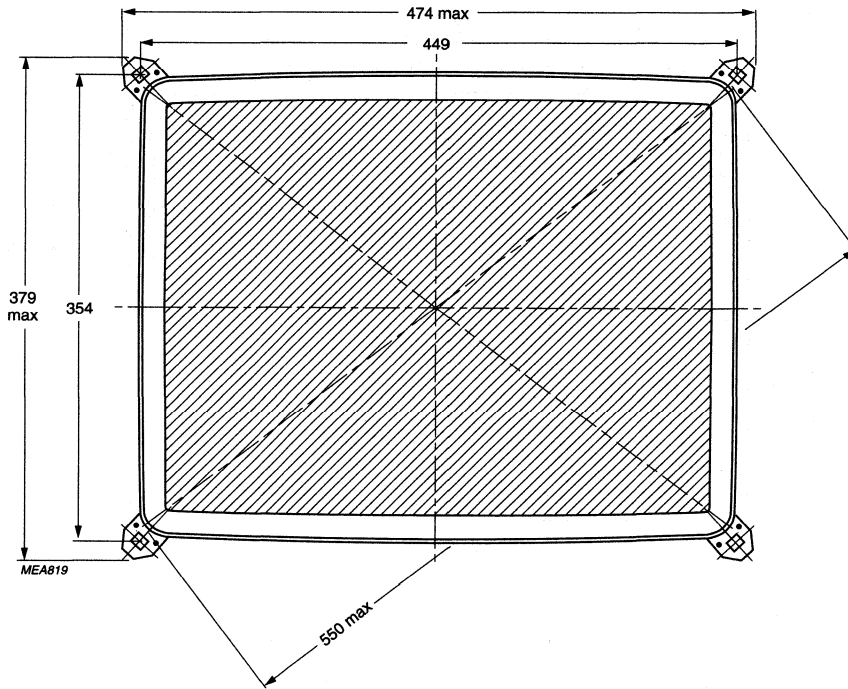


Dimensions in mm.

Fig.3 Tube dimensions; side view.

FS Black Matrix
colour picture tube

A51EAL155X

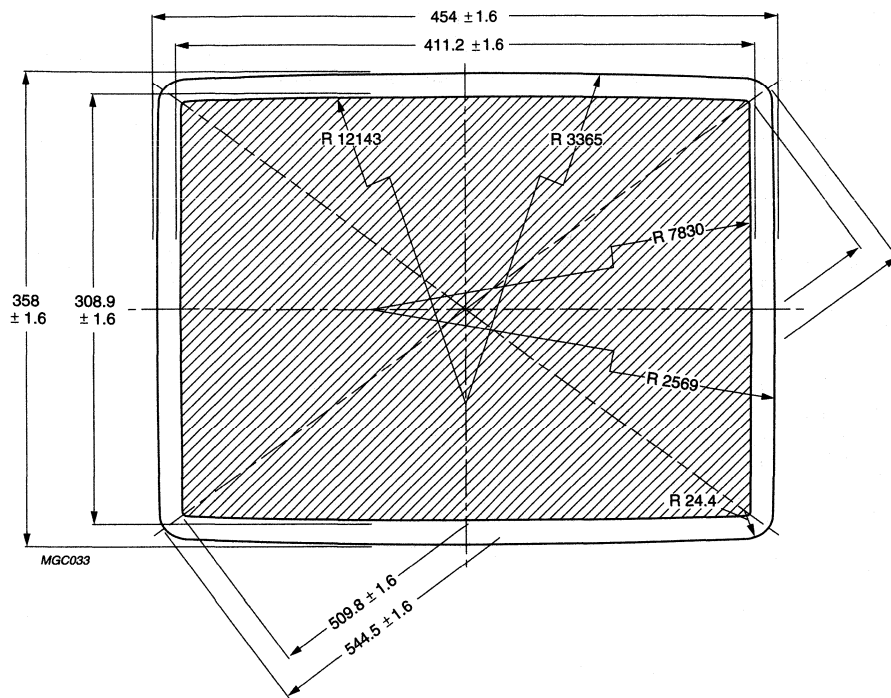


Dimensions in mm.

Fig.4 Tube dimensions; front view.

FS Black Matrix
colour picture tube

A51EAL155X

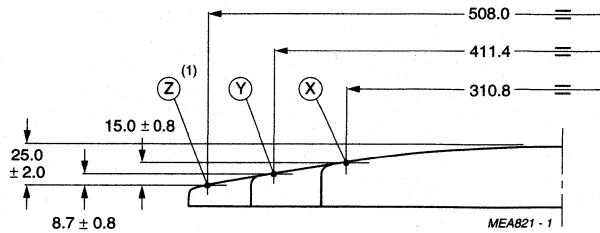


Dimensions in mm.

Fig.5 Phosphor and screen dimensions.

FS Black Matrix colour picture tube

A51EAL155X



Dimensions in mm.

(1) Coordinates for Z-point: $X = 203.2$, $Y = 152.4$.

The X, Y and Z reference points are located on the outside surface of the face plate on the minor, major and diagonal screen axis respectively.

The distance Z from any point on the screen to the centre can be calculated using the following formula:

$$Z = \left(A_1 \times X^{B_1} \right) + \left(A_2 \times Y^{B_2} \right) + \left(A_3 \times X^{B_3} \times Y^{B_4} \right)$$

Where:

$$A_1 = 2.33161 \times 10^{-4}$$

$$A_2 = 2.50647 \times 10^{-4}$$

$$A_3 = -9.31800 \times 10^{-11}$$

$$B_1 = 2.1$$

$$B_2 = 2.1$$

$$B_3 = 1.84082$$

$$B_4 = 2.65536$$

Fig.6 Screen reference points.

FS Black Matrix colour picture tube

A51EAL155X

Sagittal heights measured with respect to the end of the diagonal axis of the nominal useful screen

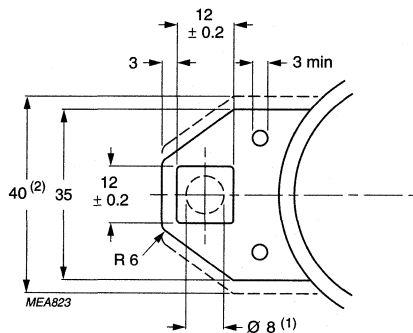
NOMINAL USEFUL SCREEN (NUS)			3 mm INSIDE NUS			5 mm OUTSIDE NUS		
COORDINATES		SAGITTAL HEIGHT	COORDINATES		SAGITTAL HEIGHT	COORDINATES		SAGITTAL HEIGHT
X (mm)	Y (mm)		X (mm)	Y (mm)		X (mm)	Y (mm)	
0.0	0.0	25.1	0.0	0.0	24.3	0.0	0.0	26.5
0.0 ⁽¹⁾	154.5	15.2	0.0	151.5	14.8	0.0	159.5	15.9
20.0	154.5	15.1	20.0	151.5	14.7	20.0	159.5	15.8
40.0	154.4	14.8	40.0	151.4	14.3	40.0	159.4	15.4
60.0	154.4	14.1	60.0	151.4	13.7	60.0	159.4	14.8
80.0	154.2	13.1	80.0	151.2	12.7	80.0	159.2	13.8
100.0	154.1	11.9	100.0	151.1	11.5	100.0	159.1	12.6
120.0	153.9	10.3	120.0	150.9	9.9	120.0	158.9	11.0
140.0	153.7	8.4	140.0	150.7	7.9	140.0	158.7	9.1
160.0	153.5	6.1	160.0	150.5	5.7	160.0	158.5	6.9
180.0	153.2	3.5	180.0	150.2	3.1	180.0	158.2	4.3
200.0	152.9	0.6	200.0	149.9	0.2	200.0	157.9	1.4
203.9 ⁽²⁾	152.8	0.0	201.0	149.8	0.0	208.8	157.7	0.0
204.0	150.0	0.3	–	–	–	–	–	–
204.3	130.0	2.4	201.3	130.0	2.0	209.3	130.0	2.9
204.6	110.0	4.1	201.6	110.0	3.8	209.6	110.0	4.6
204.9	90.0	5.5	201.9	90.0	5.2	209.9	90.0	6.1
205.1	70.0	6.7	202.1	70.0	6.4	210.1	70.0	7.2
205.2	50.0	7.5	202.2	50.0	7.2	210.2	50.0	8.0
205.3	30.0	8.1	202.3	30.0	7.8	210.3	30.0	8.6
205.4	10.0	8.3	202.4	10.0	8.1	210.4	10.0	8.8
205.4 ⁽³⁾	0.0	8.4	202.4	0.0	8.1	210.4	0.0	8.9

Notes

1. End of short axis.
2. End of diagonal axis.
3. End of long axis.

FS Black Matrix
colour picture tube

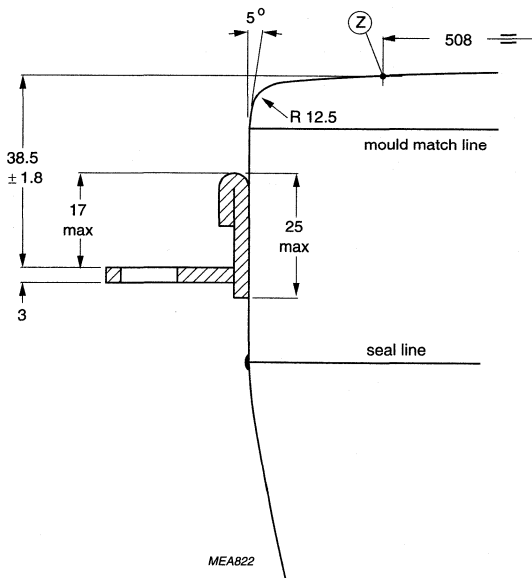
A51EAL155X



Dimensions in mm.

- (1) The position of the mounting screw in the cabinet must be within a circle of 8 mm diameter drawn around the true geometrical positions, i.e. the corners of a rectangle of 354.0 mm x 449.0 mm.
- (2) Minimum space to be reserved for mounting lug in cabinet.

Fig.7 Lug dimensions.



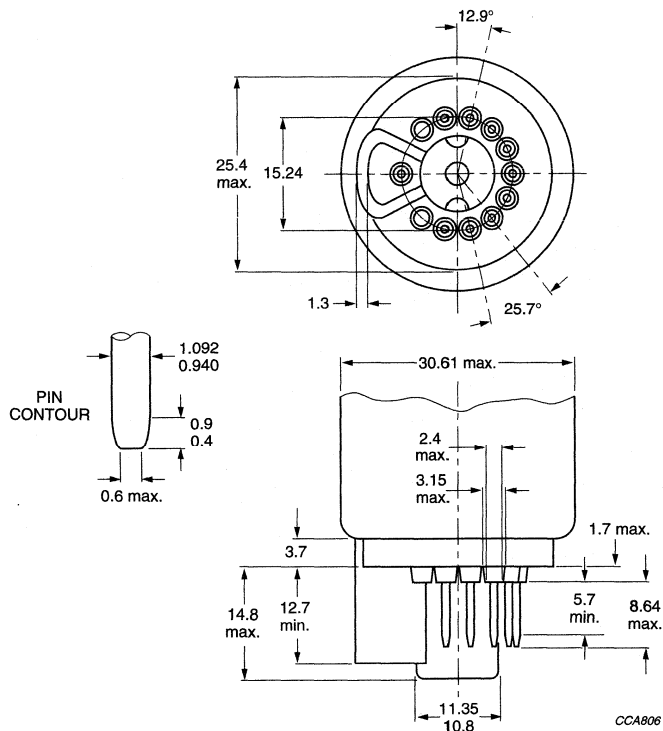
Dimensions in mm.

The displacement of any lug with respect to the plane through the three other lugs is max. 1.3 mm. This deviation is incorporated in the tolerance of ± 1.8 mm.

Fig.8 Lug position.

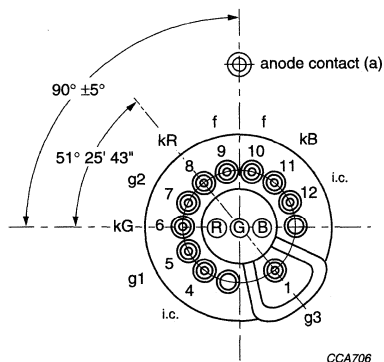
FS Black Matrix
colour picture tube

A51EAL155X



Dimensions in mm.

Fig.9 Base JEDEC B10-277.



i.c. = internally connected and not to be used.

Fig.10 Pin arrangement.

Remarks: to Figs 9 and 10.

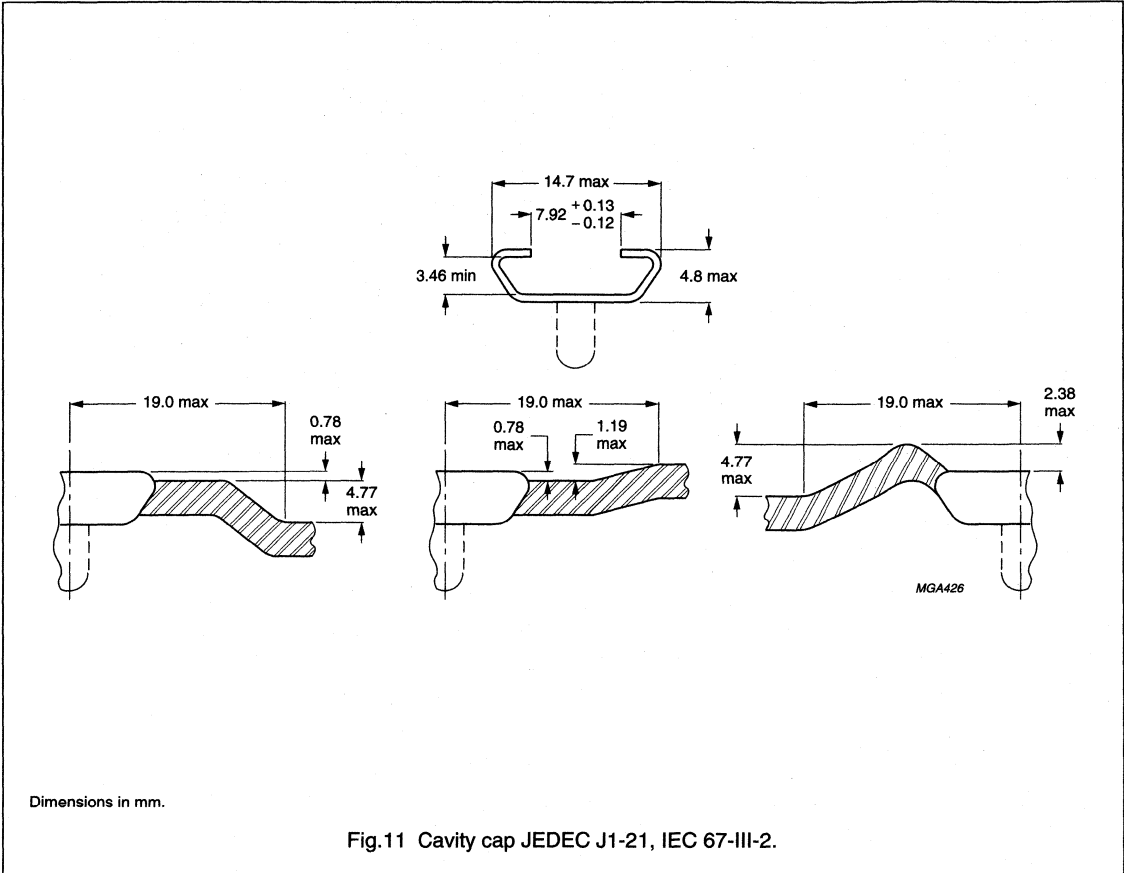
The socket for this base should not be rigidly mounted, it should have flexible leads and be allowed to move freely. After mounting the tube in the cabinet, note that the position of the base can fall within a circle, having a diameter of max. 40 mm concentric with an imaginary tube axis.

The mass of the mounting socket assembly should not exceed 150 g.

Maximum permissible torque on the tube neck is 0.04 Nm.

FS Black Matrix
colour picture tube

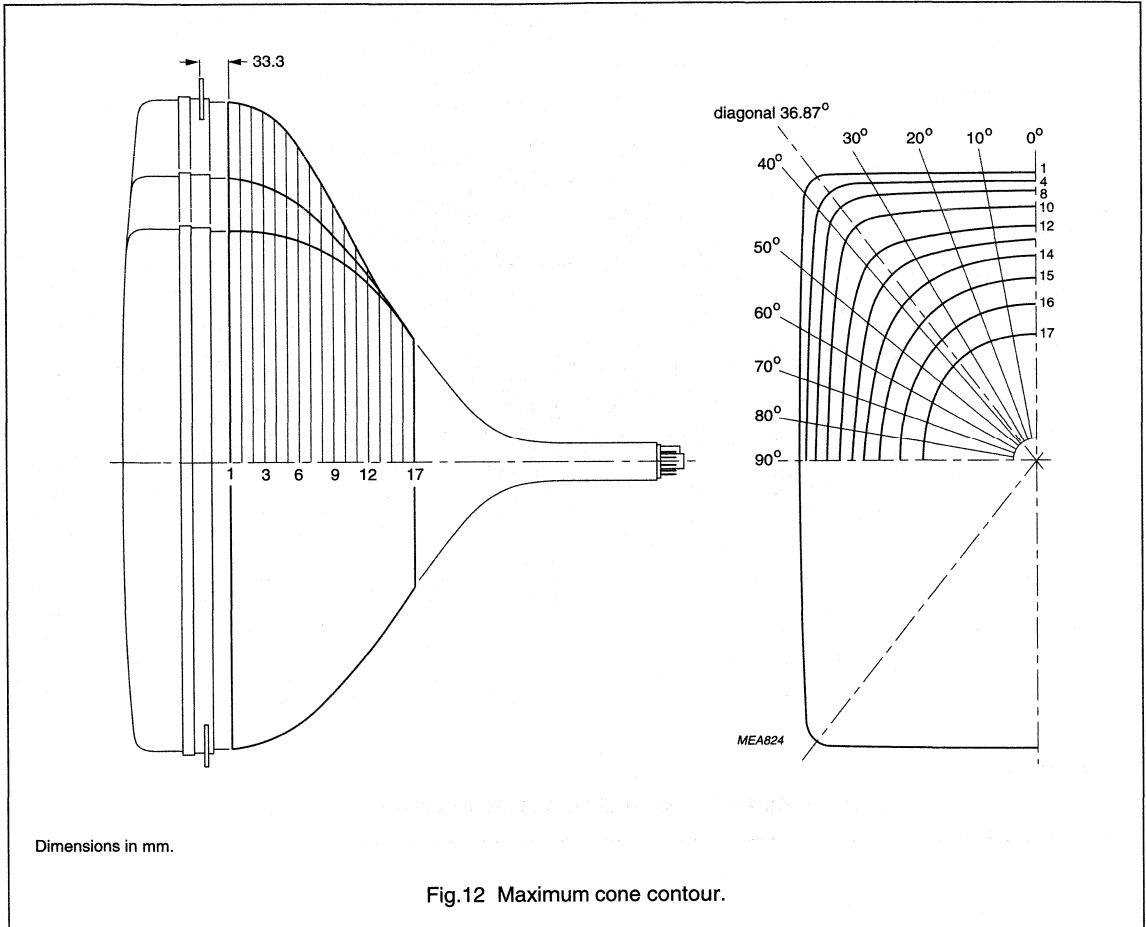
A51EAL155X



FS Black Matrix colour picture tube

A51EAL155X

Cone contour



FS Black Matrix colour picture tube

A51EAL155X

Cone contour data

SECTION	NOMINAL DISTANCE FROM SECTION 1 (mm)	MAXIMUM DISTANCE FROM TUBE AXIS (mm)										
		0°	10°	20°	30°	36.87°	40°	50°	60°	70°	80°	90°
1	0.0	225.7	228.9	239.1	257.6	271.8	267.2	227.9	203.1	187.9	179.6	177.0
2	10.0	224.6	227.7	237.7	255.9	270.0	265.3	226.7	201.9	186.8	178.6	175.9
3	20.0	221.8	224.8	234.3	251.1	264.3	259.6	222.9	198.9	184.2	176.1	173.5
4	30.0	218.1	220.9	229.6	244.5	254.7	250.6	217.9	195.1	180.9	173.1	170.6
5	40.0	213.8	216.4	224.1	236.5	243.1	239.6	212.0	190.9	177.3	169.9	167.5
6	50.0	208.7	211.0	217.7	227.5	231.3	228.4	205.6	186.3	173.6	166.5	164.2
7	60.0	202.6	204.5	210.0	217.5	219.5	217.0	198.5	181.0	169.3	162.6	160.5
8	70.0	195.1	196.8	201.3	206.9	207.6	205.4	190.3	175.1	164.4	158.3	156.3
9	80.0	186.2	187.6	191.4	195.6	195.4	193.5	181.3	168.4	158.9	153.3	151.5
10	90.0	175.6	176.9	180.1	183.3	182.8	181.1	171.4	160.7	152.5	147.6	146.0
11	100.0	163.6	164.6	167.4	169.9	169.2	167.9	160.4	151.9	145.2	141.0	139.6
12	110.0	150.3	151.3	153.8	155.7	154.7	153.6	147.9	141.7	136.6	133.4	132.3
13	120.0	136.4	137.3	139.3	140.4	139.5	138.6	134.5	130.3	126.8	124.6	123.9
14	130.0	122.1	122.8	124.4	124.9	124.0	123.3	120.7	118.2	116.1	114.7	114.3
15	140.0	107.5	107.7	108.2	108.6	108.4	108.2	107.0	105.7	104.5	103.8	103.5
16	150.0	92.6	92.3	92.3	92.6	92.8	92.9	92.9	92.6	92.1	91.6	91.4
17	159.5	78.1	78.1	78.1	78.1	78.1	78.1	78.1	78.1	78.1	78.1	78.1

HANDLING

During shipment and handling the tube should not be subjected to accelerations greater than 350 m/s² in any direction (at pulse ≤10 ms).

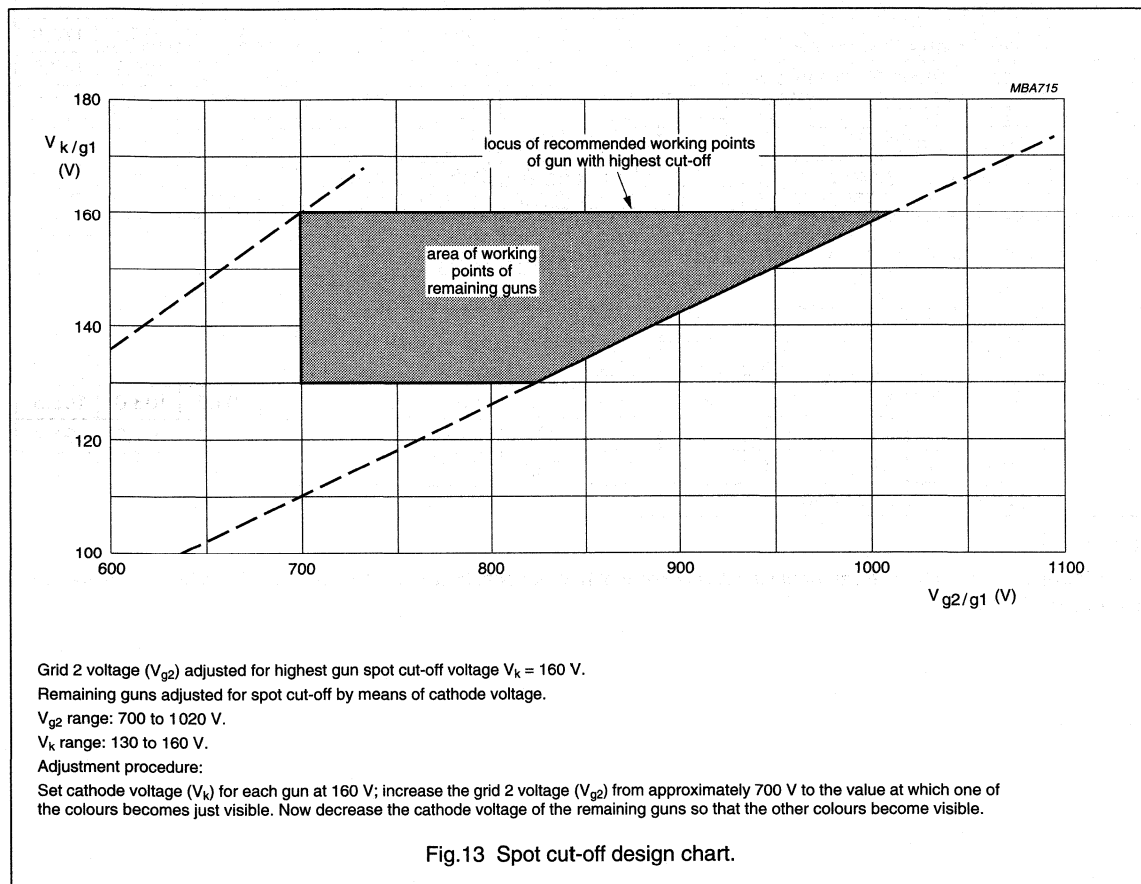
FS Black Matrix colour picture tube

A51EAL155X

OPERATING DATA

The voltages are specified with respect to grid 1.

SYMBOL	PARAMETER	CONDITIONS	MIN.	TYP.	MAX.	UNIT
$V_{a,g4}$	anode voltage	at full screen load	–	27.5	–	kV
V_{g3}	grid 3 (focus electrode) voltage		8.0	–	9.1	kV
V_{g2}	grid 2 voltage	for spot cut-off voltage $V_k = 160$ V	700	–	1020	V
V_f	heater voltage	tube operating	–	6.15	–	V



FS Black Matrix colour picture tube

A51EAL155X

CHASSIS DESIGN VALUES

The values are valid for anode voltages between 22 and 29.5 kV. The voltages are specified with respect to grid 1.

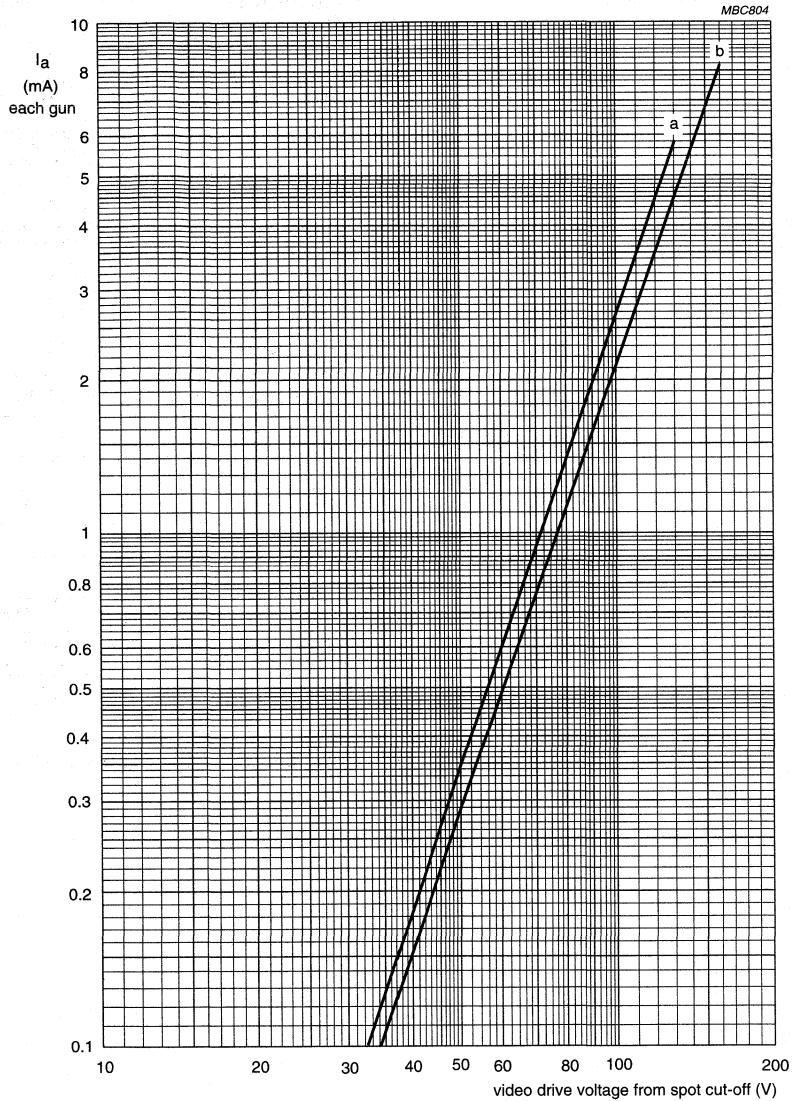
SYMBOL	PARAMETER	CONDITIONS	MIN.	TYP.	MAX.	UNIT
V_{g3}	grid 3 (focus electrode) voltage as a percentage of anode voltage		29	–	33	%
V_{g2} and V_k	grid 2 voltage and cathode voltage	for visual extinction of focused spot	see Fig.13			
ΔV_k	difference in cut-off voltage between guns in any tube		lowest value >80% of highest value			
V_f	heater voltage	tube operating	–	6.15	–	V
	video drive characteristics		note 1 and Fig.14			
I_{g3}	grid 3 (focus electrode) current		–2	–	+2	μA
I_{g2}	grid 2 current		–2	–	+2	μA
I_{g1}	grid 1 current	under cut-off conditions	–2	–	+2	μA
R_{ins}	insulation resistance	each cathode to grid 1 and heater	50	–	–	M Ω
Anode currents to produce white of 6500 K + 7 MPCD (CIE coordinates: x = 0.313; y = 0.329)						
PERCENTAGE OF THE TOTAL ANODE CURRENT SUPPLIED BY EACH GUN (TYPICAL)						
	red gun		–	41.3	–	%
	green gun		–	34.4	–	%
	blue gun		–	24.3	–	%
RATIO OF ANODE CURRENTS						
	red gun to green gun		0.85	1.20	1.55	
	red gun to blue gun		1.20	1.70	2.20	
	blue gun to green gun		0.40	0.70	1.00	

Note

- For optimum picture performance it is recommended that the cathodes are not driven below +1 V with respect to grid 1.

FS Black Matrix colour picture tube

A51EAL155X



$V_f = 6.15$ V.

$V_{a,g4} = 27.5$ kV.

V_{g3} adjusted for focus.

V_{g2} (each gun) adjusted to provide spot cut-off for $V_k = 130$ V (curve a) and $V_k = 160$ V (curve b).

Fig.14 Typical cathode drive characteristics.

FS Black Matrix colour picture tube

A51EAL155X

LIMITING VALUES

In accordance with the Absolute Maximum Rating System (IEC 134). The voltages are specified with respect to grid 1.

SYMBOL	PARAMETER	CONDITIONS	MIN.	MAX.	UNIT
$V_{a,g4}$	anode voltage	notes 1 and 2	22 ⁽³⁾	31.0 ⁽⁴⁾	kV
I_a	long-term average current for three guns	note 5	–	1000	μ A
V_{g3}	grid 3 (focus electrode) voltage		–	11	kV
V_{g2}	grid 2 voltage	note 6	–	1200	V
V_f	heater voltage	note 7	5.7	6.6 ⁽⁴⁾	V
Cathode voltage					
V_k	positive	operating	–	250	V
		during blanking	–	400	V
V_k	positive operating cut-off		–	200	V
V_k	negative		–	0	V
V_{kp}	negative peak		–	–2	V
Cathode to heater voltage					
V_{kf}	positive		–	250	V
V_{kfp}	positive peak		–	300	V
V_{kf}	negative		–	–135	V
V_{kfp}	negative peak		–	–180	V
Circuit values					
R_{g3}	grid 3 circuit resistance		–	70	M Ω
R_{g2}	grid 2 circuit resistance		–	7	M Ω
R_{g1k}	grid 1 to cathode circuit resistance (each gun)		–	750	k Ω

Notes

1. During adjustment on the production line this value is likely to be surpassed considerably. It is therefore strongly recommended to first make the necessary adjustments for normal operation without the picture tube.
2. The picture tube does not emit X-radiation above 1 μ Sv/h when operated at 31.0 kV and 1.5 mA.
3. Operation of the tube at lower voltages impairs the luminance and resolution and may impair the convergence.
4. This value is an absolute maximum.
5. The short-term average anode current should be limited by circuitry to 1500 μ A.
6. During adjustment on the production line maximum 1500 V is permitted.
7. For maximum cathode life and optimum performance it is recommended that the heater supply is designed for 6.15 V at average beam current, for most applications this equals 6.3 V at zero beam current. **The heater supply source impedance must not be less than 2 Ω .**

BEAM CENTRING

Maximum centring error is 4 mm in any direction after colour purity, static convergence and horizontal centre line correction (measured with deflection coils at nominal position).

FS Black Matrix colour picture tube

A51EAL155X

FLASHOVER PROTECTION

The high voltages used with this tube (absolute max. 31.0 kV) may produce internal flashovers. Soft-flash technology limits these flashover currents to approximately 60 A offering higher reliability, optimum circuit protection and component savings.

Primary protective circuitry using properly grounded spark gaps and series isolation resistors (preferably carbon composition) is still necessary to prevent tube damage. The spark

gaps should be connected to all picture tube electrodes (except the tube heaters) at the tube socket in accordance with Fig.15. No other connections between the outer conductive coating and the chassis are permissible. The spark gaps should be designed for a maximum breakdown voltage at the focus electrode (g_3) of approximately 11.5 kV ($1.5 \times V_{g3}$ max. at $V_{a,g4} = 27.5$ kV) and at the other electrodes of 1.5 to 2 kV at the lowest operating atmospheric pressure.

The values of the series isolation resistors should be as high as possible (min. 1.5 k Ω) without causing deterioration of circuit performance. The resistors should be able to withstand an instantaneous surge of 20 kV for the focus circuit and 12 kV for the remaining circuits without arcing.

Additional information is available on request.

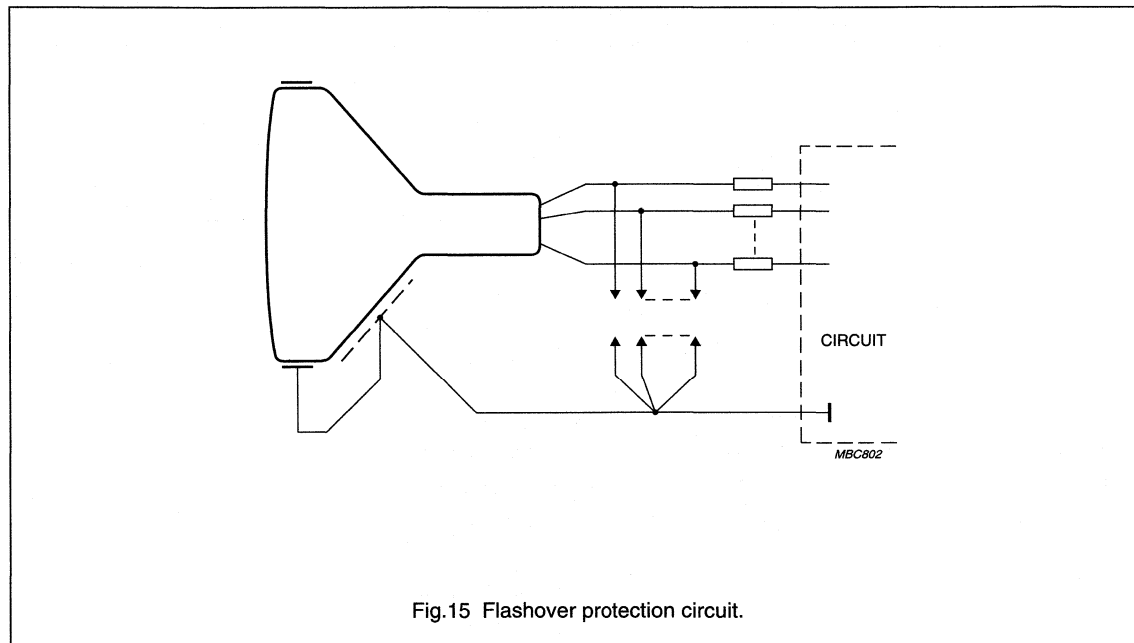


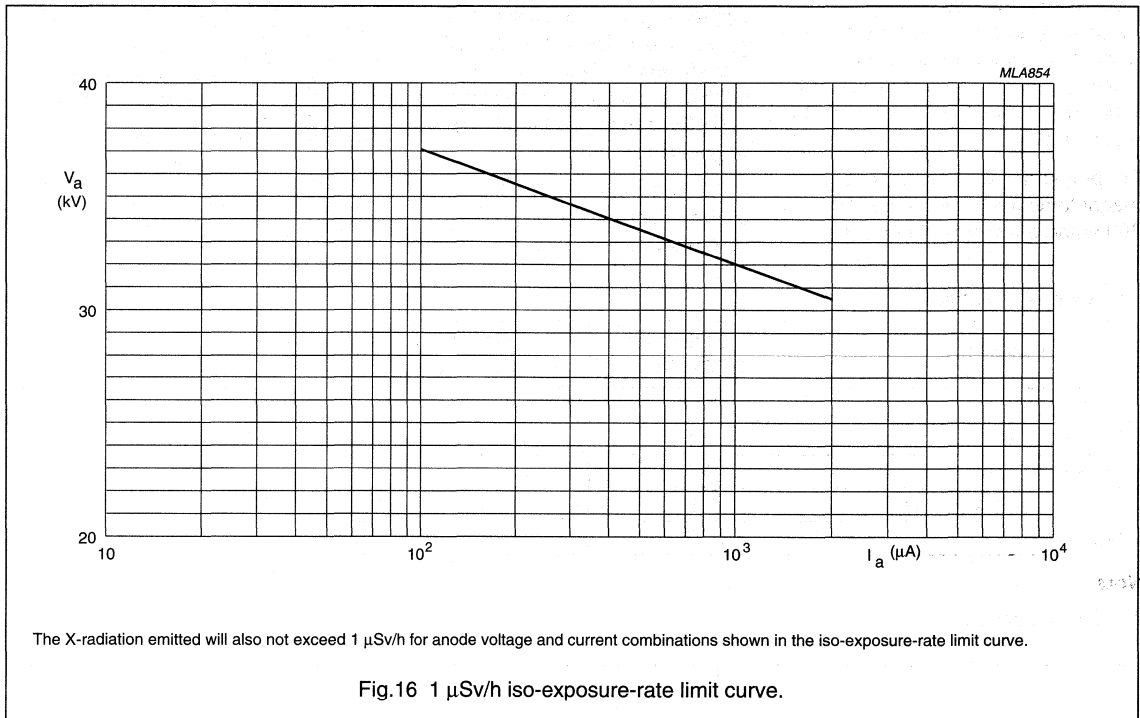
Fig.15 Flashover protection circuit.

FS Black Matrix colour picture tube

A51EAL155X

X-RADIATION

The tube does not emit X-radiation above $1 \mu\text{Sv/h}$ when operated at 31.0 kV and 1.5 mA.



FS Black Matrix colour picture tube

A51EAL155X

DEGAUSSING

The picture tube is provided with an internal magnetic shield. This shield and the shadow mask with its suspension system may be provided with an automatic degaussing system, consisting of one or two coil windings mounted on the cone of the picture tube.

For proper degaussing an initial magnetomotive force (MMF) of 300 ampere-turns for double-coil

systems and 700 ampere-turns for single-coil systems is required in each coil. This MMF has to be gradually decreased using appropriate degaussing circuitry. In the steady state, no significant MMF should remain in the coil(s) (≤ 0.3 ampere-turns for double-coils and ≤ 0.6 ampere-turns for single-coils).

To prevent beam landing disturbances by line-frequency currents induced in the degaussing

coils, these coils should be shunted by a capacitor of sufficiently high value.

If single-phase power rectification is employed in the TV circuitry, provision should be included to prevent asymmetric distortion of the AC voltage applied to the degaussing circuit due to high DC inrush currents.

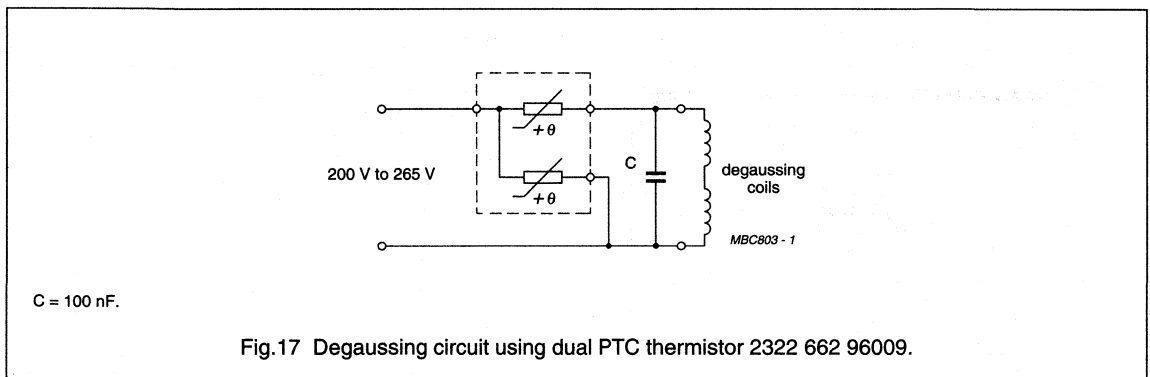
An example of a degaussing circuit and coil data is given in Fig.17 and Table "Degaussing coil data".

Degaussing coil data

PARAMETER	DOUBLE-COIL SYSTEM	SINGLE-COIL SYSTEM	CONTINUOUS-COIL SYSTEM	UNIT
Circumference	125	139	248	cm
Number of turns	60	140	140	
Copper wire diameter	0.4	0.4	0.4	mm
Aluminium wire diameter	0.5	0.5	0.5	mm
Resistance	22 ⁽¹⁾	27	47	Ω

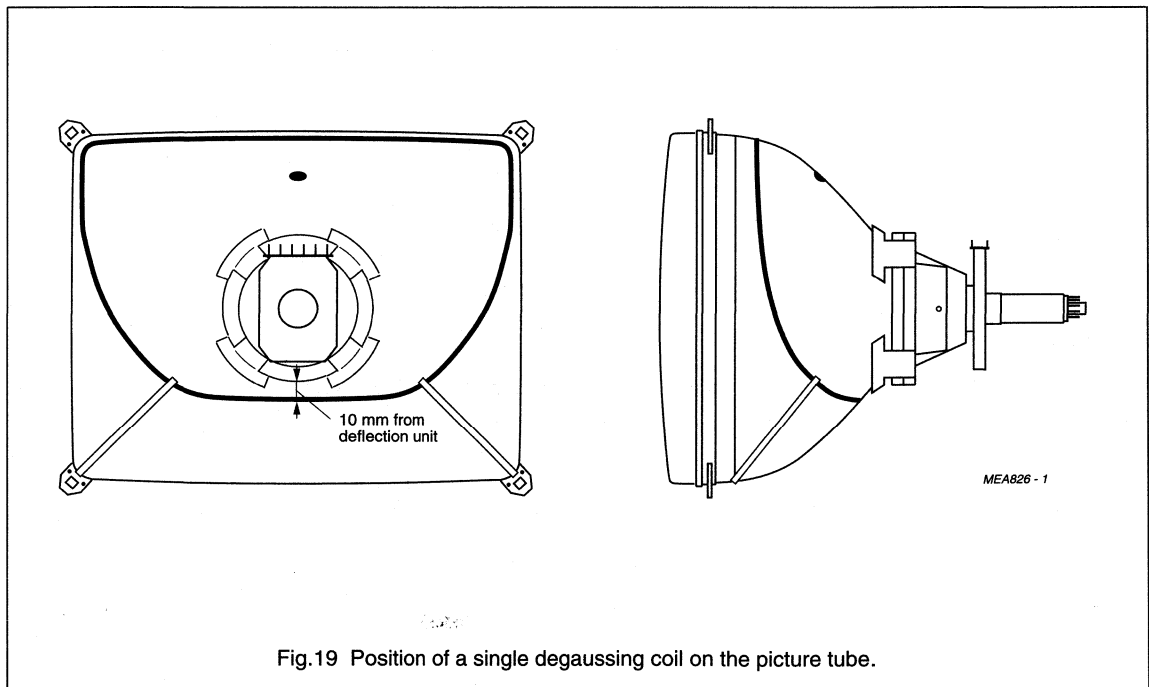
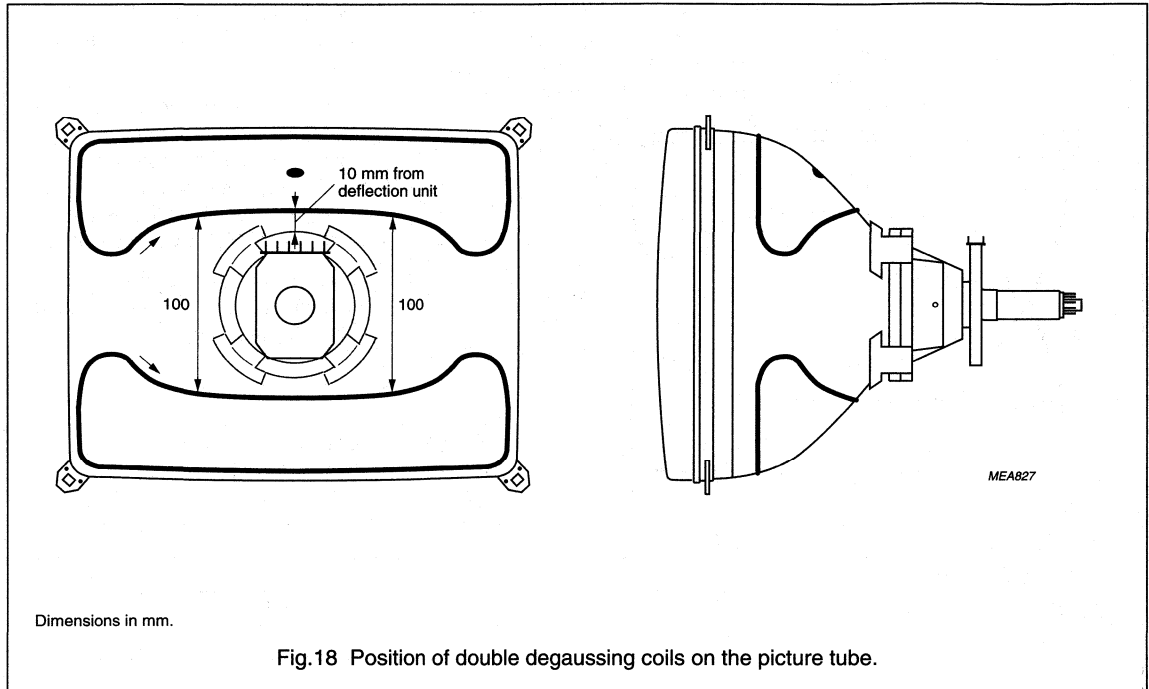
Note

1. Series connected.



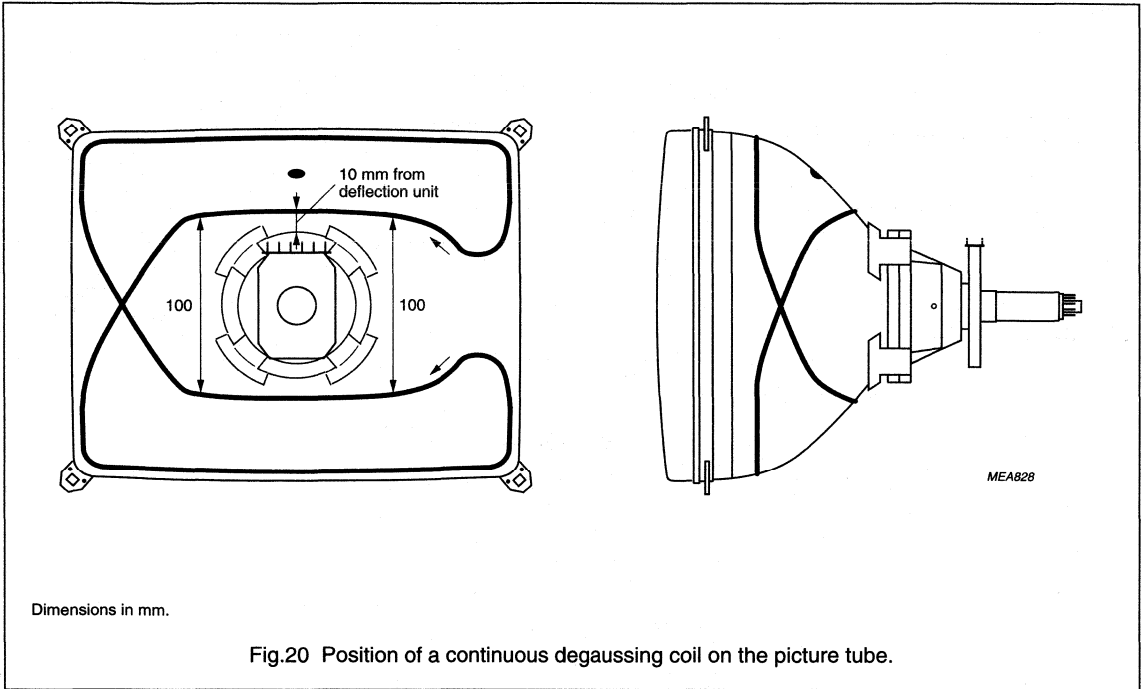
FS Black Matrix
colour picture tube

A51EAL155X



FS Black Matrix
colour picture tube

A51EAL155X



FS Black Matrix colour picture tube assembly

A51EAL155X01

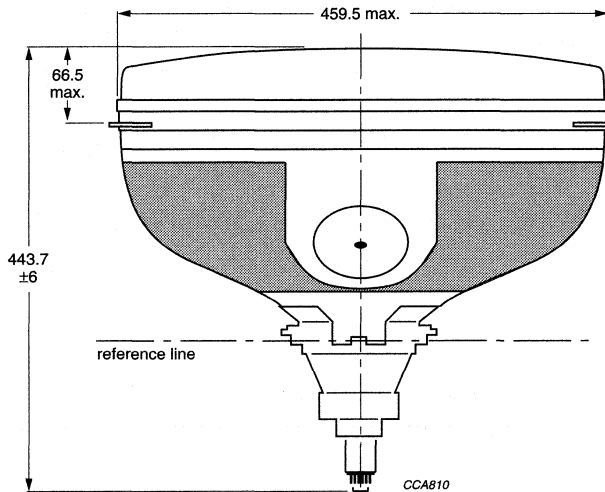
FEATURES

- Factory preset tube/coil assembly
- Self-converging and raster correction free
- 51 cm, 90° colour picture tube A51EAL155X
- Hybrid saddle toroidal deflection unit AT6035/04.

QUICK REFERENCE DATA

PARAMETER	TYP.	UNIT
Deflection angle	90	deg
Minimum useful screen diagonal	51	cm
Overall length	44.4	cm
Neck diameter	29.1	mm
Anode voltage	27.5	kV
Mass	≈16	kg

MECHANICAL DATA

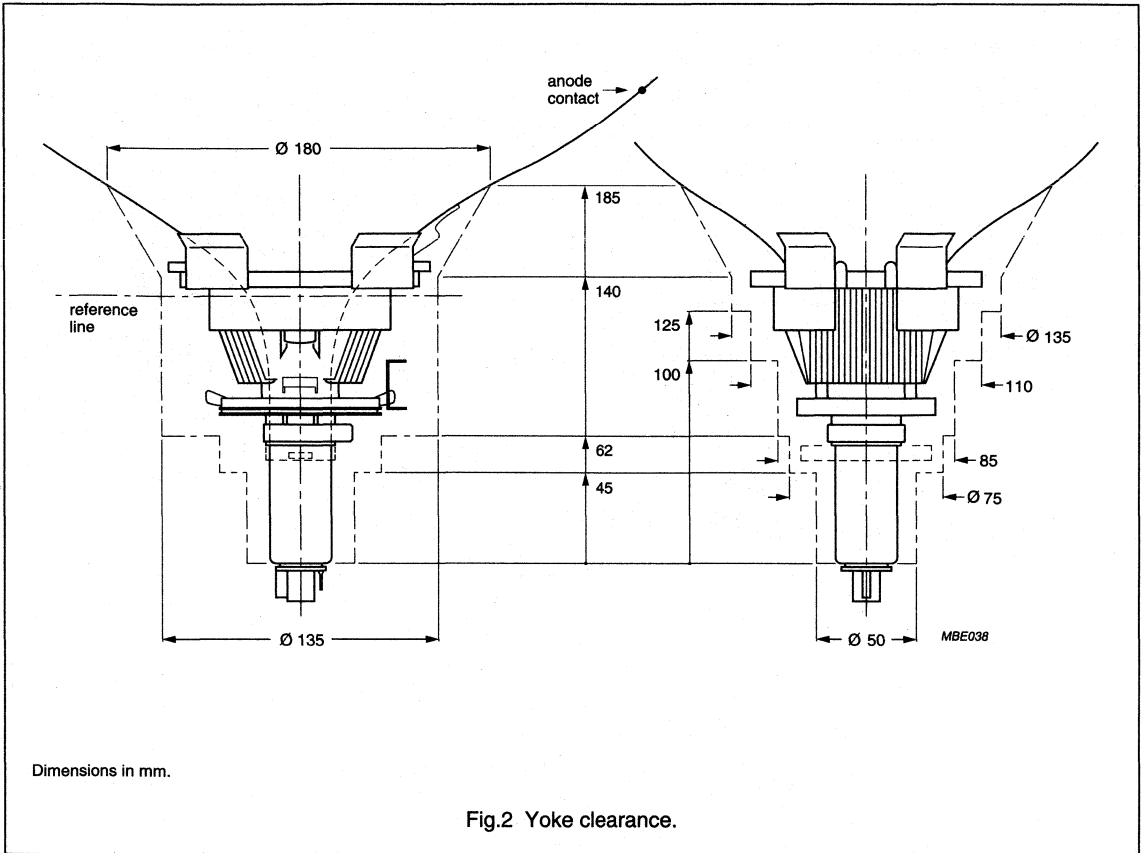


Dimensions in mm.

Fig.1 Tube assembly.

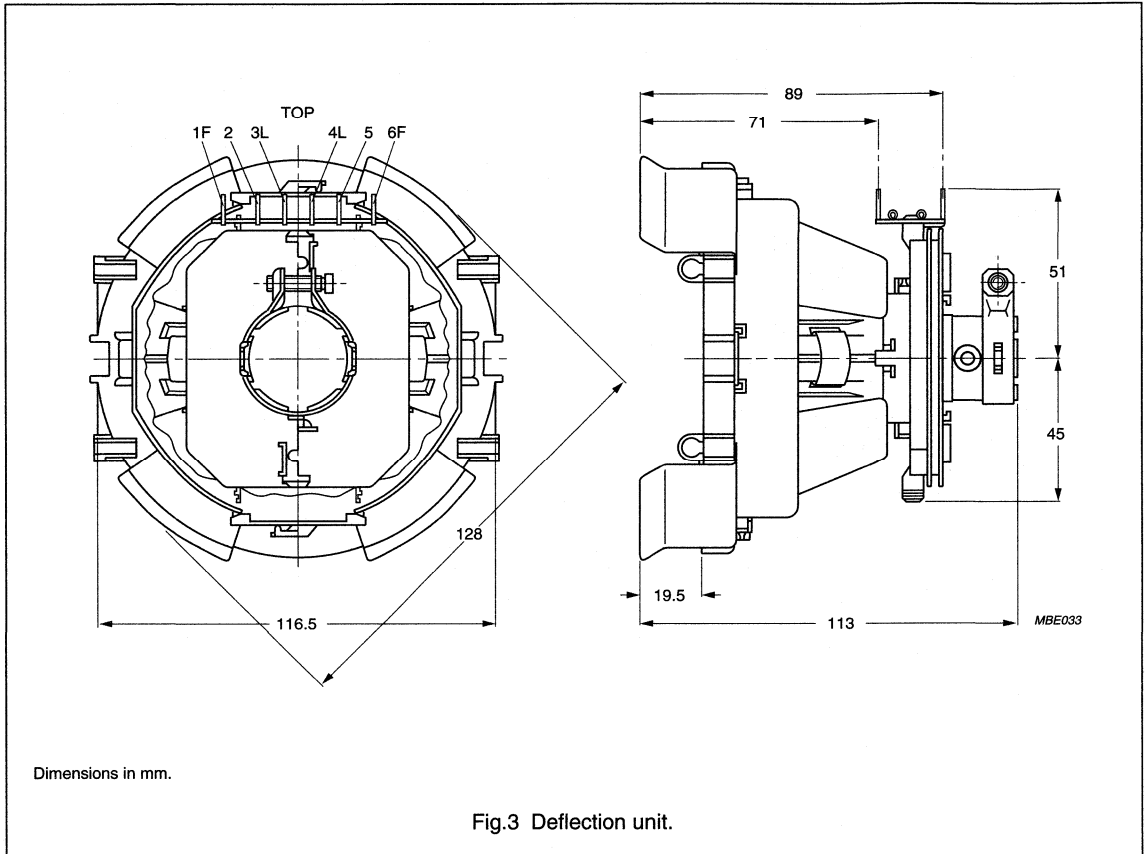
FS Black Matrix colour picture tube assembly

A51EAL155X01



FS Black Matrix colour picture tube assembly

A51EAL155X01



FS Black Matrix colour picture tube assembly

A51EAL155X01

DEFLECTION COIL DATA

Voltages are specified with respect to grid 1. The values are valid for an anode voltage of 27.5 kV.

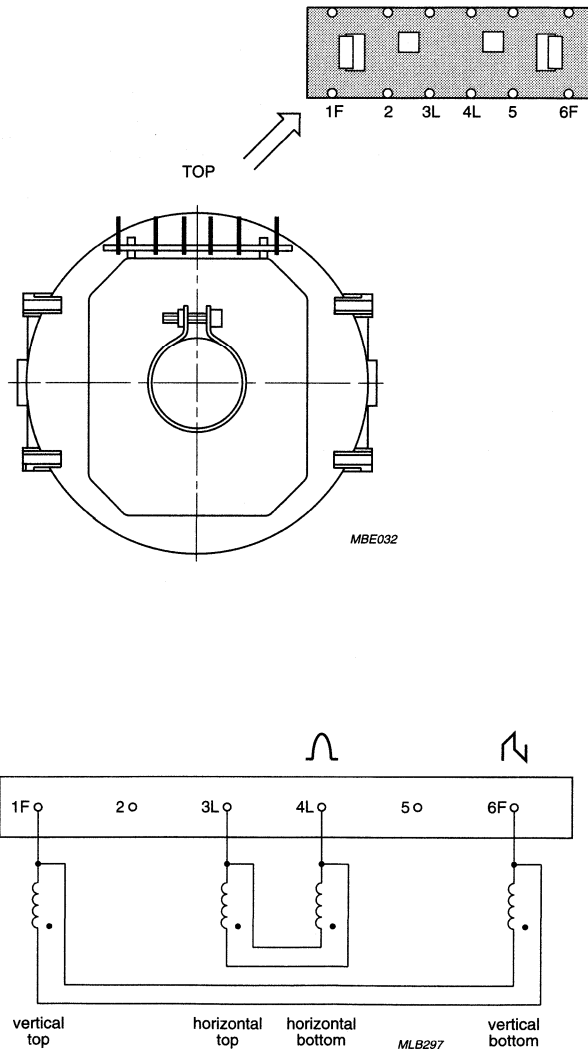
PARAMETER	CONDITIONS	MIN.	TYP.	MAX.	UNIT
Horizontal coils, parallel connected					
Inductance	1 V (RMS); 1 kHz	1.92	2.00	2.08	mH
Resistance	$T_{amb} = 25\text{ }^{\circ}\text{C}$	2.12	2.35	2.59	Ω
Magnetic flux		6.11	6.20	6.29	mWb
Horizontal deflection current (peak-to-peak value)	edge-to-edge; $V_a = 27.5\text{ kV}$	–	3.10	–	A
Vertical coils, parallel connected					
Inductance	1 V (RMS); 1 kHz	17.6	19.5	21.5	mH
Resistance	$T_{amb} = 25\text{ }^{\circ}\text{C}$	9.4	10.1	10.8	Ω
Vertical deflection current (peak-to-peak value)	edge-to-edge; $V_a = 27.5\text{ kV}$	–	1.17	–	A
Deflection unit					
Insulation resistance	1 kV				
between horizontal and vertical coils		500	–	–	$\text{M}\Omega$
between horizontal coil and yoke ring		500	–	–	$\text{M}\Omega$
between vertical coil and yoke ring		10	–	–	$\text{M}\Omega$
Cross talk from horizontal to vertical coils	10 V; 15625 Hz across the horizontal coils	–	–	0.2	V
Average copper temperature	note 1	–	–	90	$^{\circ}\text{C}$
Storage temperature		–25	–	+90	$^{\circ}\text{C}$
Safety					
Flame retardant		in accordance with UL1413, category 94-V1			

Note

1. Measured by the resistance method.

FS Black Matrix
colour picture tube assembly

A51EAL155X01



The beginning of the windings is indicated with •

Fig.4 Deflection coil connections.

FS Black Matrix colour picture tube assembly

A51EAL155X10

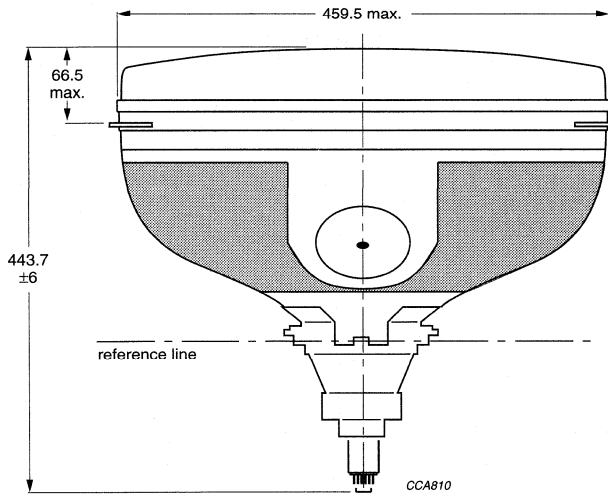
FEATURES

- Factory preset tube/coil assembly
- Self-converging and raster correction free
- 51 cm, 90° colour picture tube A51EAL155X
- Hybrid saddle toroidal deflection unit AT6035/10.

QUICK REFERENCE DATA

PARAMETER	TYP.	UNIT
Deflection angle	90	deg
Minimum useful screen diagonal	51	cm
Overall length	44.4	cm
Neck diameter	29.1	mm
Anode voltage	27.5	kV
Mass	≈16	kg

MECHANICAL DATA

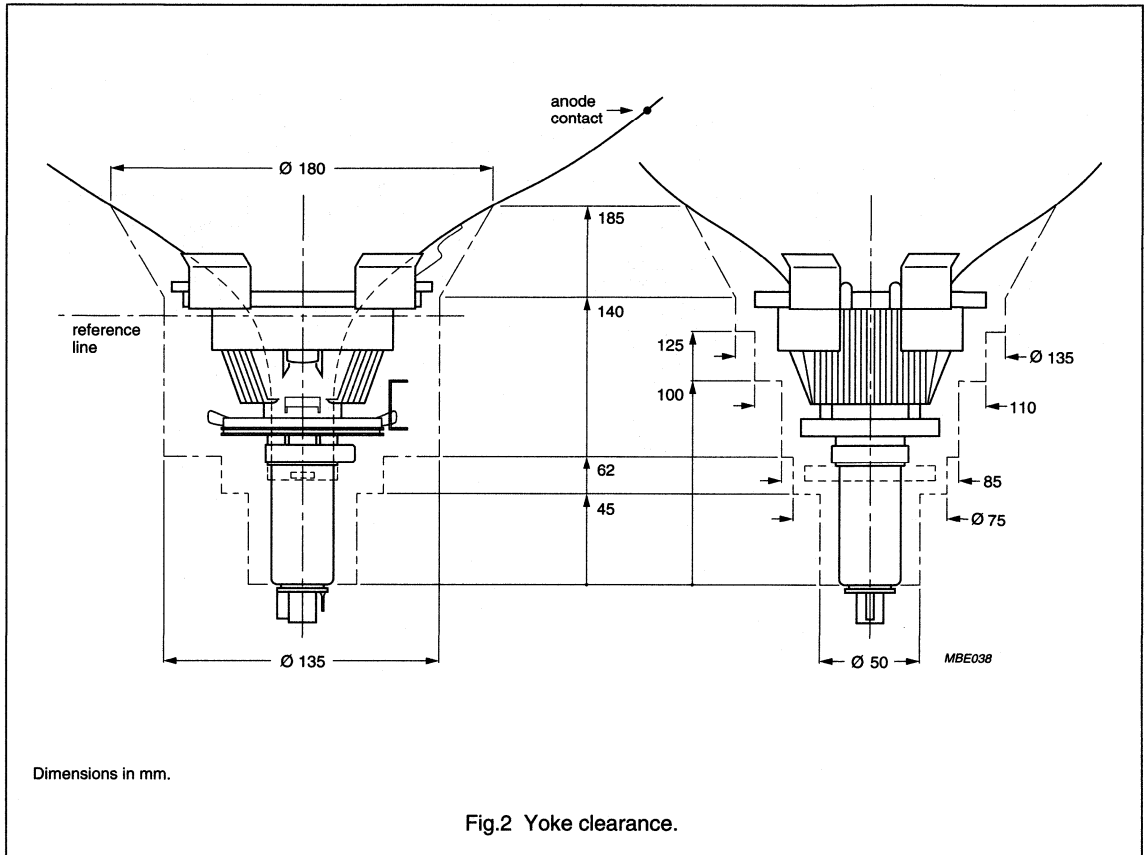


Dimensions in mm.

Fig.1 Tube assembly.

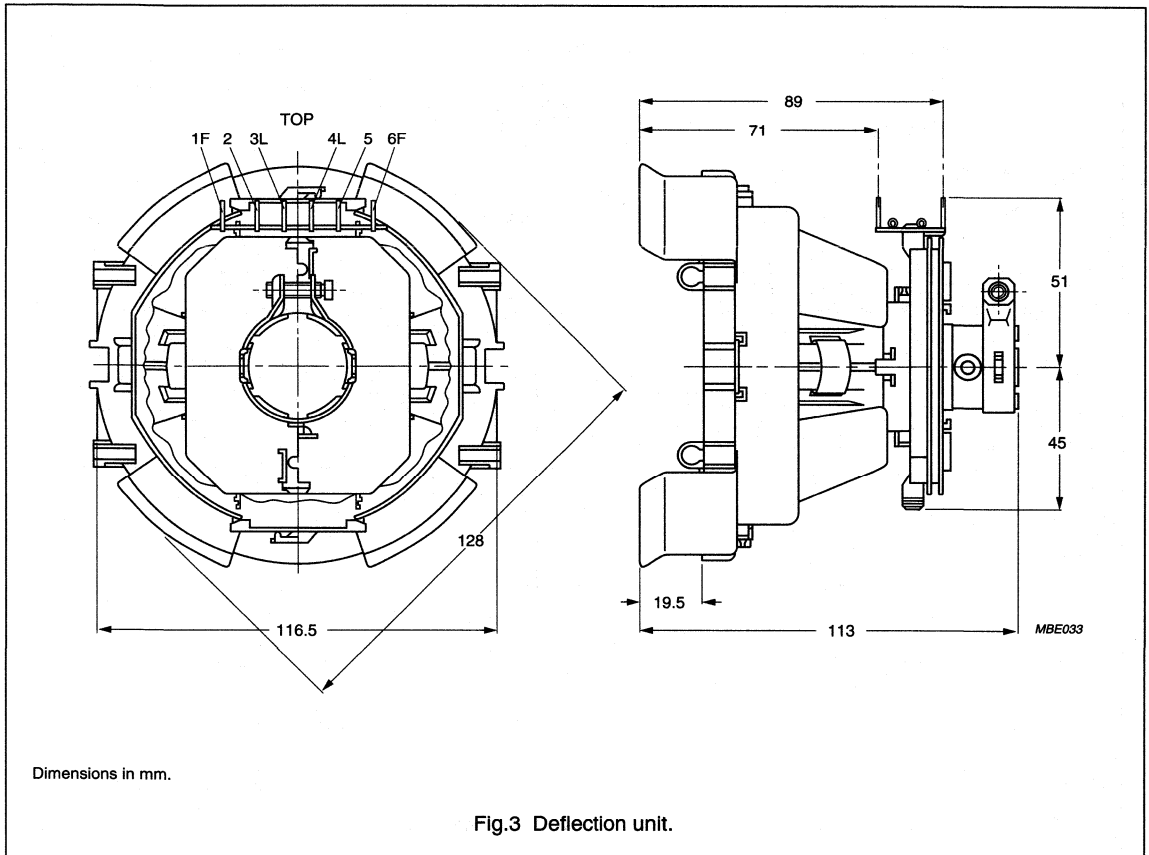
FS Black Matrix
colour picture tube assembly

A51EAL155X10



FS Black Matrix
colour picture tube assembly

A51EAL155X10



FS Black Matrix colour picture tube assembly

A51EAL155X10

DEFLECTION COIL DATA

Voltages are specified with respect to grid 1. The values are valid for an anode voltage of 27.5 kV.

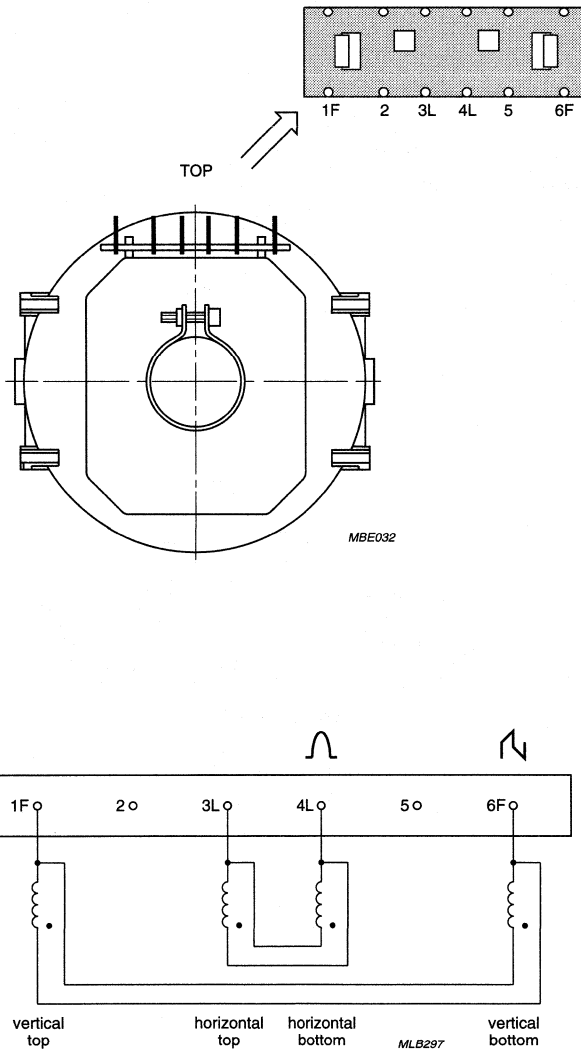
PARAMETER	CONDITIONS	MIN.	TYP.	MAX.	UNIT
Horizontal coils, parallel connected					
Inductance	1 V (RMS); 1 kHz	1.63	1.70	1.77	mH
Resistance	T _{amb} = 25 °C	1.80	2.00	2.20	Ω
Magnetic flux		5.60	5.69	5.77	mWb
Horizontal deflection current (peak-to-peak value)	edge-to-edge; V _a = 27.5 kV	–	3.35	–	A
Vertical coils, parallel connected					
Inductance	1 V (RMS); 1 kHz	17.6	19.5	21.5	mH
Resistance	T _{amb} = 25 °C	9.4	10.1	10.8	Ω
Vertical deflection current (peak-to-peak value)	edge-to-edge; V _a = 27.5 kV	–	1.17	–	A
Deflection unit					
Insulation resistance	1 kV				
between horizontal and vertical coils		500	–	–	MΩ
between horizontal coil and yoke ring		500	–	–	MΩ
between vertical coil and yoke ring		10	–	–	MΩ
Cross-talk from horizontal to vertical coils	10 V; 15625 Hz across the horizontal coils	–	–	0.2	V
Average copper temperature	note 1	–	–	90	°C
Storage temperature		–25	–	+90	°C
Safety					
Flame retardant		in accordance with UL1413, category 94-V1			

Note

1. Measured by the resistance method.

FS Black Matrix
colour picture tube assembly

A51EAL155X10



The beginning of the windings is indicated with •

Fig.4 Deflection coil connections.

FS Black Matrix colour picture tube assembly

A51EAL155X13

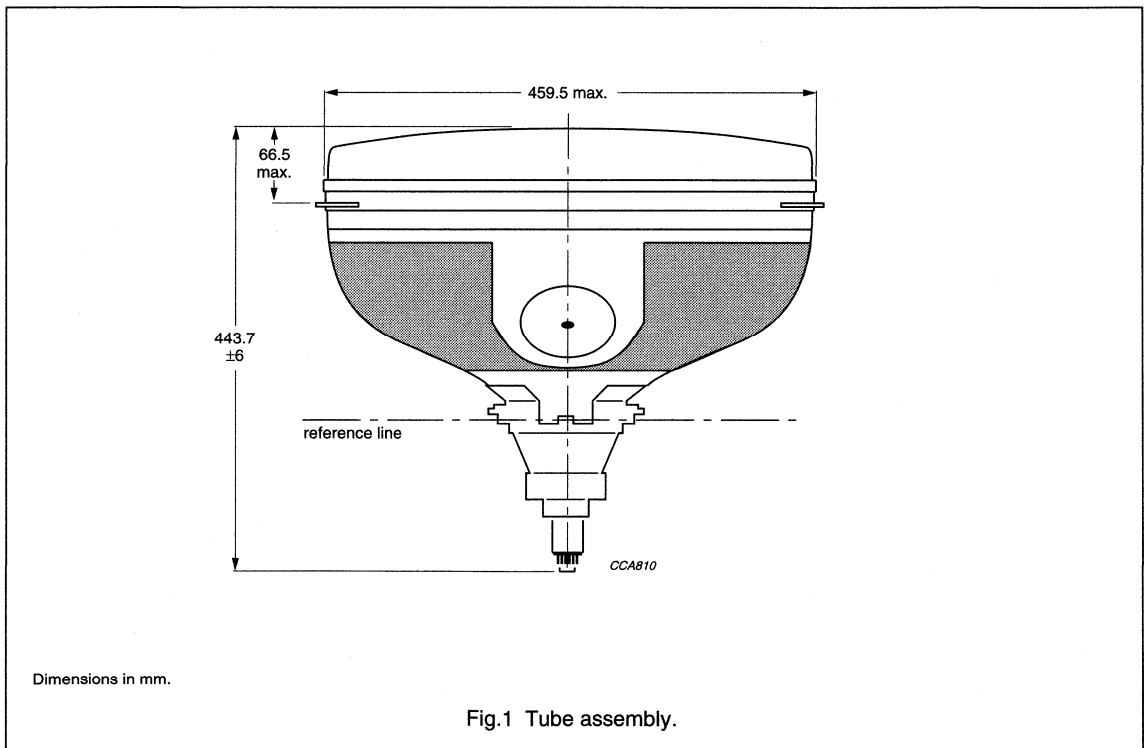
FEATURES

- Factory preset tube/coil assembly
- Self-converging and raster correction-free
- 51 cm, 90° colour picture tube A51EAL155X
- Hybrid saddle toroidal deflection unit AT6035/13
- Picture tube coil assembly has been tested and certified by BSI to "BS415" and "IEC 65" and is covered by "Certificate number 7641" (mains isolation).

QUICK REFERENCE DATA

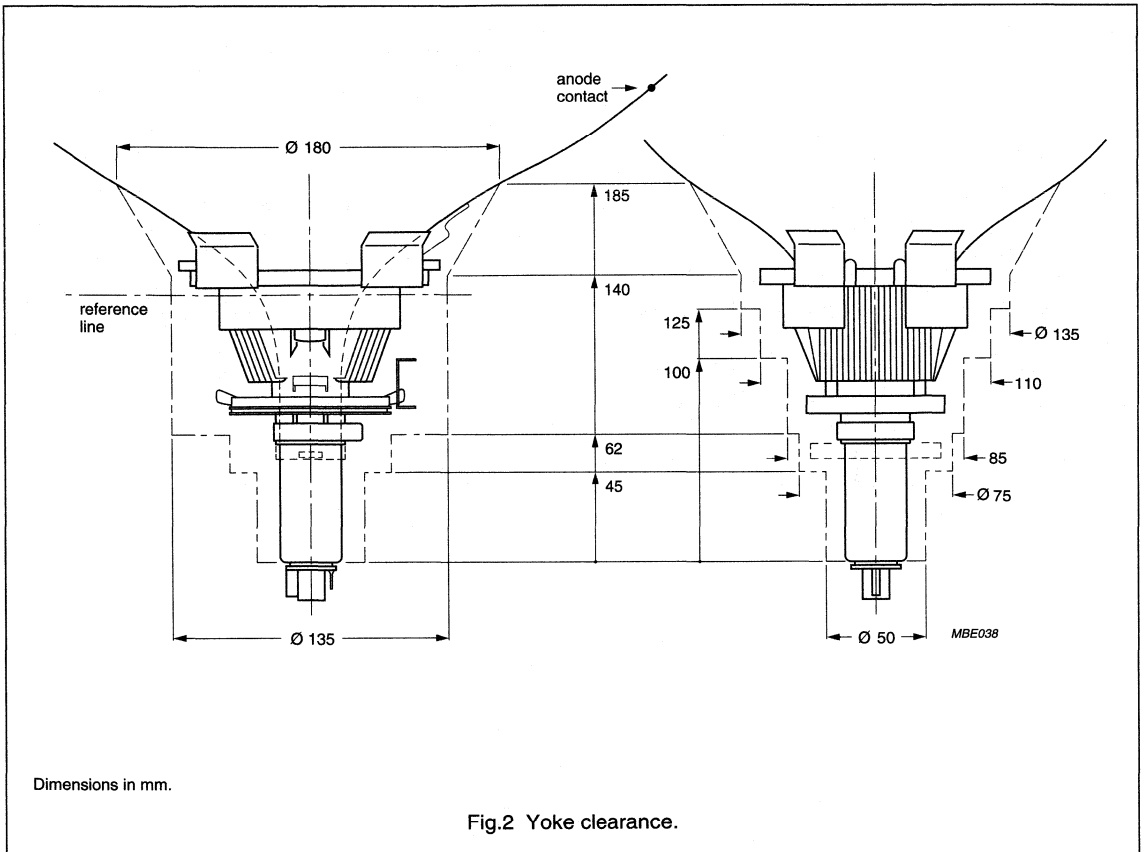
PARAMETER	TYP.	UNIT
Deflection angle	90	deg
Minimum useful screen diagonal	51	cm
Overall length	44.4	cm
Glass transmission	41	%
Neck diameter	29.1	mm
Anode voltage	27.5	kV
Mass	≈16	kg

MECHANICAL DATA



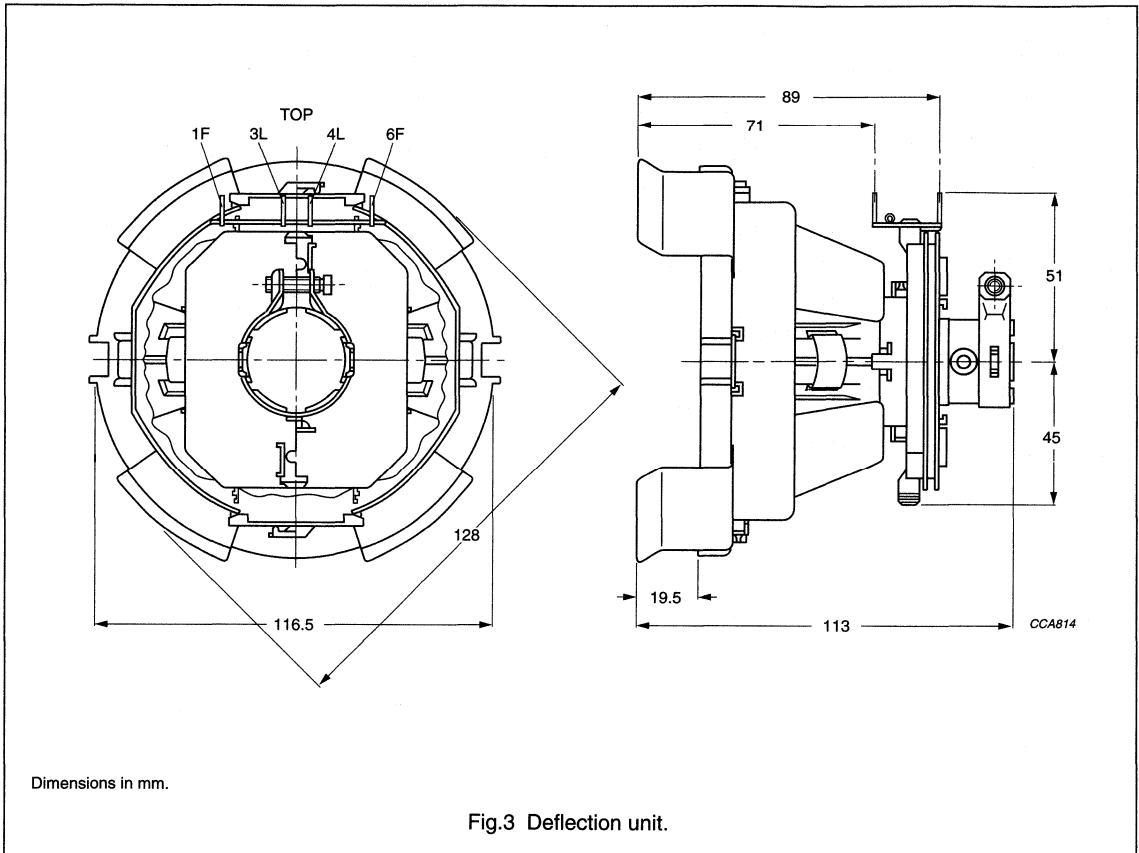
FS Black Matrix
colour picture tube assembly

A51EAL155X13



FS Black Matrix colour picture tube assembly

A51EAL155X13



IEC REQUIREMENTS

The deflection coil is identified by a blue connection board which meets the IEC requirements.

In order to meet the IEC requirements, that the distances between the graphite layer on the picture tube and the deflection coil are maintained it is important that care is taken with the routing of the earthing straps in this area.

In order to maintain the IEC requirements this picture tube should only be replaced by a tube with the same order number.

FS Black Matrix colour picture tube assembly

A51EAL155X13

DEFLECTION COIL DATA

Voltages are specified with respect to grid 1. The values are valid for an anode voltage of 27.5 kV.

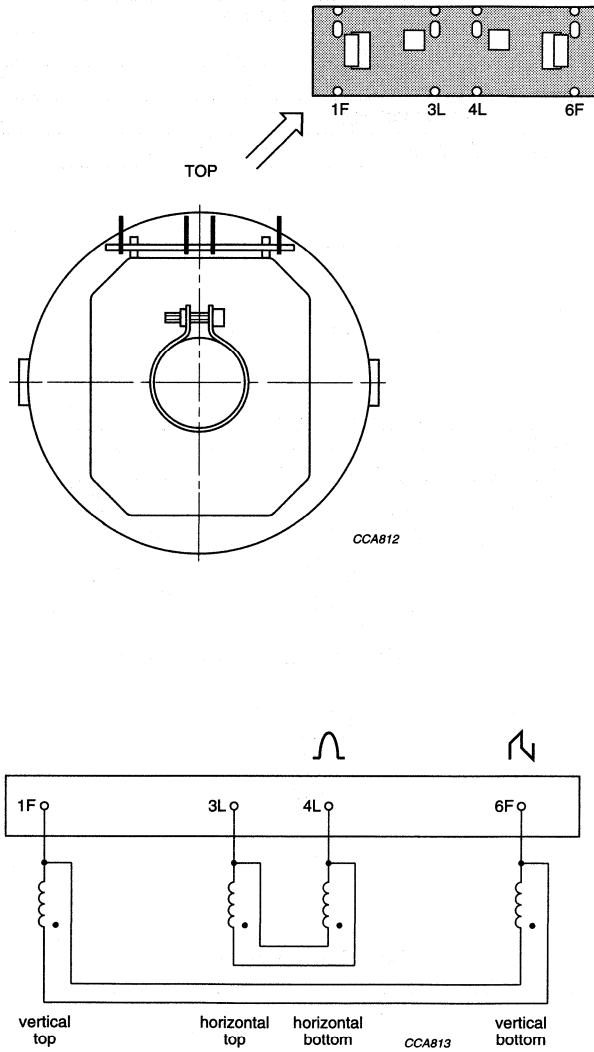
PARAMETER	CONDITIONS	MIN.	TYP.	MAX.	UNIT
Horizontal coils, parallel connected					
Inductance	1 V (RMS); 1 kHz	1.63	1.70	1.77	mH
Resistance	T _{amb} = 25 °C	1.8	2.0	2.2	Ω
Magnetic flux		5.60	5.69	5.78	mWb
Horizontal deflection current (peak-to-peak value)	edge-to-edge; V _a = 27.5 kV	–	3.35	–	A
Vertical coils, parallel connected					
Inductance	1 V (RMS); 1 kHz	17.6	19.5	21.5	mH
Resistance	T _{amb} = 25 °C	9.4	10.1	10.8	Ω
Vertical deflection current (peak-to-peak value)	edge-to-edge; V _a = 27.5 kV	–	1.17	–	A
Deflection unit					
Insulation resistance	1 kV				
between horizontal and vertical coils		500	–	–	MΩ
between horizontal coil and yoke ring		500	–	–	MΩ
between vertical coil and yoke ring		10	–	–	MΩ
Cross-talk from horizontal to vertical coils	10 V; 15625 Hz across the horizontal coils	–	–	0.2	V
Average copper temperature	note 1	–	–	90	°C
Storage temperature		–25	–	+90	°C
Safety					
Flame retardant		in accordance with UL1413, category 94-V1			

Note

1. Measured by the resistance method.

FS Black Matrix
colour picture tube assembly

A51EAL155X13



The beginning of the windings is indicated with •

Fig.4 Deflection coil connections.

FS Black Matrix colour picture tube assembly

A51EAL155X47

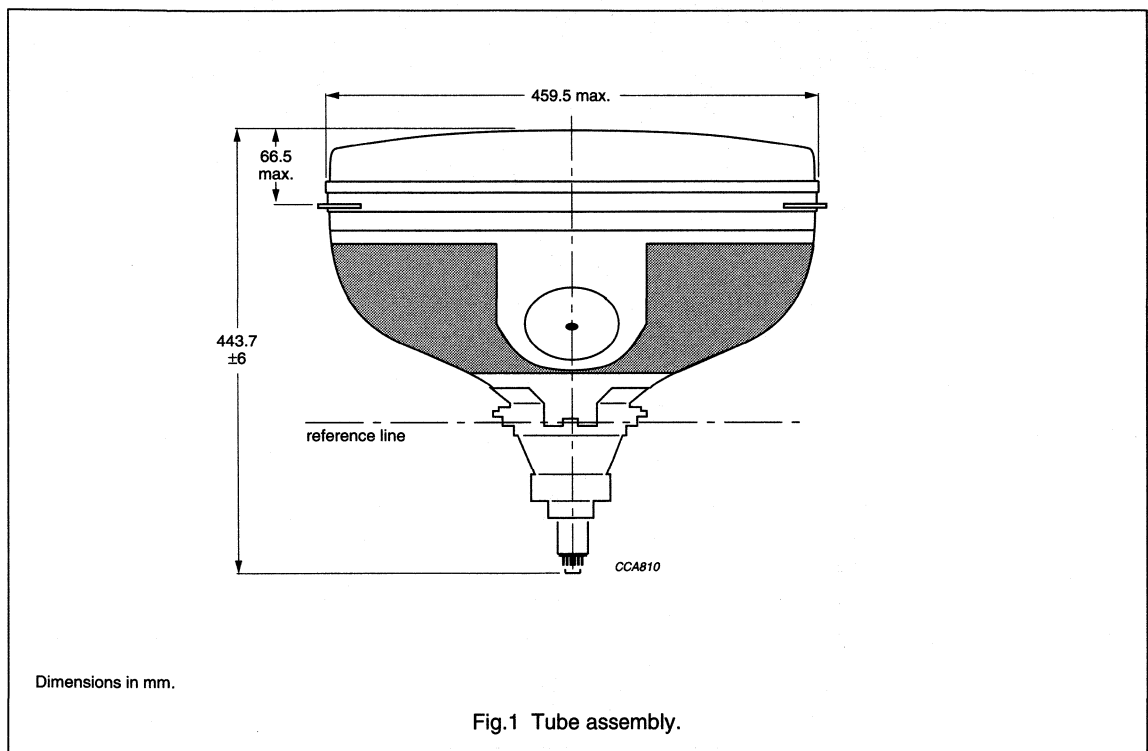
FEATURES

- Factory preset tube/coil assembly
- Self-converging and raster correction free
- 51 cm, 90° colour picture tube A51EAL155X
- Hybrid saddle toroidal deflection unit AT6035/47.

QUICK REFERENCE DATA

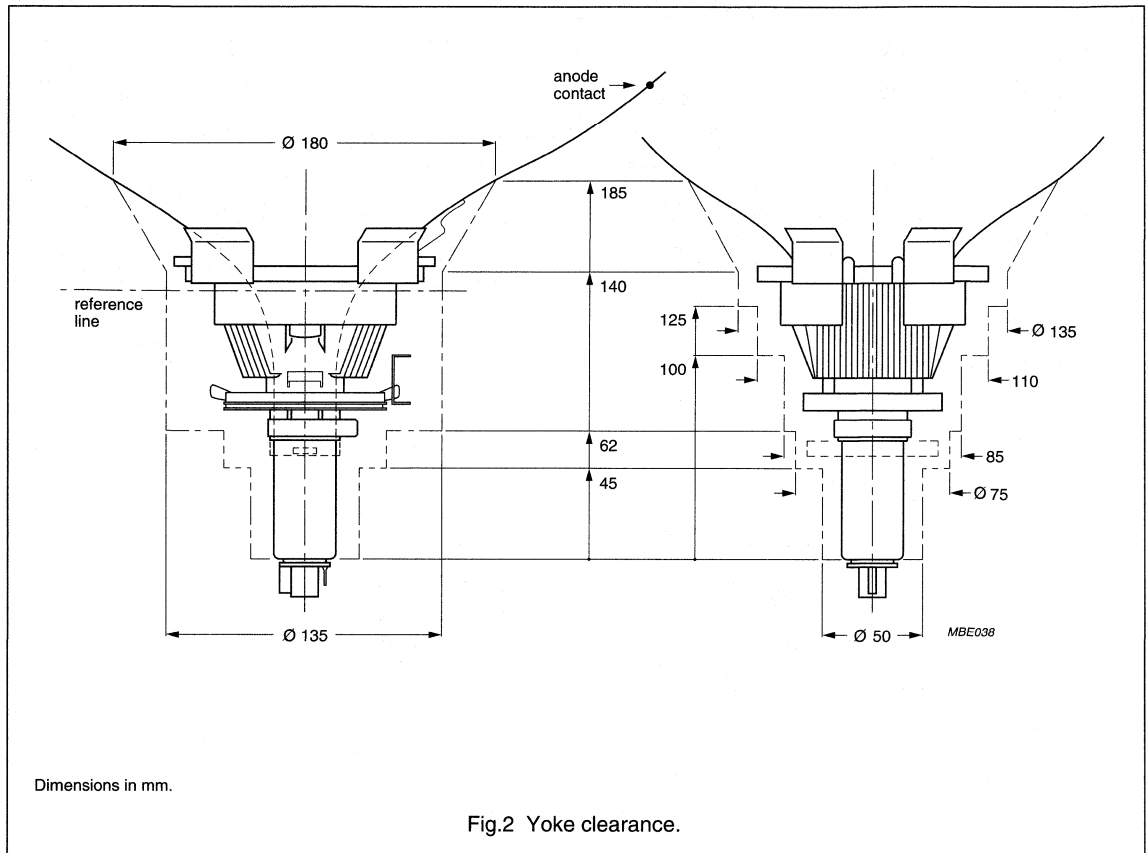
PARAMETER	TYP.	UNIT
Deflection angle	90	deg
Minimum useful screen diagonal	51	cm
Overall length	44.4	cm
Neck diameter	29.1	mm
Anode voltage	27.5	kV
Mass	≈16	kg

MECHANICAL DATA



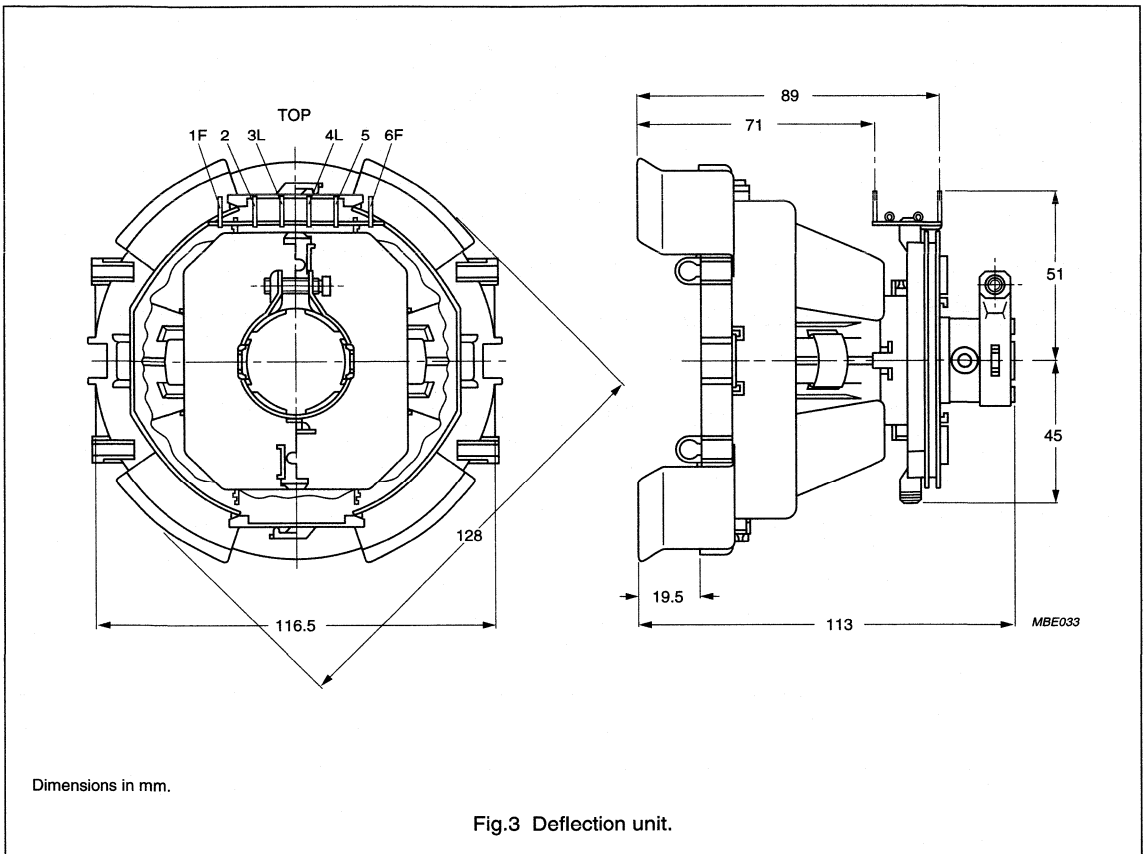
FS Black Matrix
colour picture tube assembly

A51EAL155X47



FS Black Matrix
colour picture tube assembly

A51EAL155X47



FS Black Matrix colour picture tube assembly

A51EAL155X47

DEFLECTION COIL DATA

Voltages are specified with respect to grid 1. The values are valid for an anode voltage of 27.5 kV.

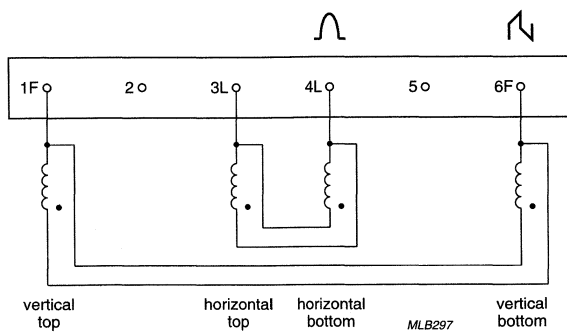
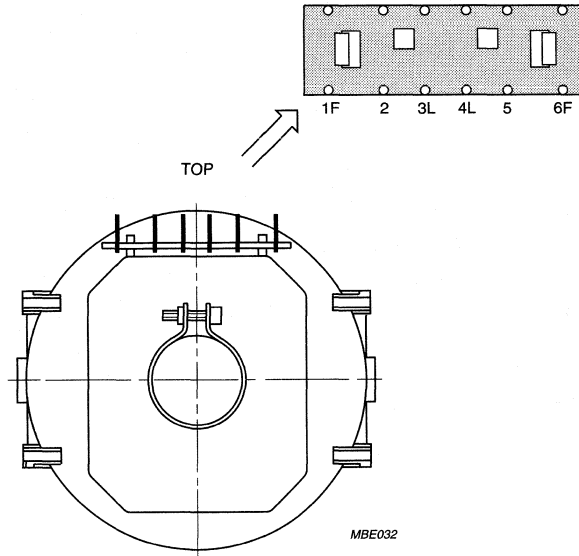
PARAMETER	CONDITIONS	MIN.	TYP.	MAX.	UNIT
Horizontal coils, parallel connected					
Inductance	1 V (RMS); 1 kHz	1.32	1.37	1.42	mH
Resistance	$T_{amb} = 25\text{ }^{\circ}\text{C}$	1.50	1.56	1.62	Ω
Magnetic flux		4.72	4.79	4.86	mWb
Horizontal deflection current (peak-to-peak value)	edge-to-edge; $V_a = 27.5\text{ kV}$	–	3.50	–	A
Vertical coils, parallel connected					
Inductance	1 V (RMS); 1 kHz	17.6	19.5	21.5	mH
Resistance	$T_{amb} = 25\text{ }^{\circ}\text{C}$	9.4	10.1	10.8	Ω
Vertical deflection current (peak-to-peak value)	edge-to-edge; $V_a = 27.5\text{ kV}$	–	1.17	–	A
Deflection unit					
Insulation resistance	1 kV				
between horizontal and vertical coils		500	–	–	M Ω
between horizontal coil and yoke ring		500	–	–	M Ω
between vertical coil and yoke ring		10	–	–	M Ω
Cross-talk from horizontal to vertical coils	10 V; 15625 Hz across the horizontal coils	–	–	0.2	V
Average copper temperature	note 1	–	–	90	$^{\circ}\text{C}$
Storage temperature		–25	–	+90	$^{\circ}\text{C}$
Safety					
Flame retardant		in accordance with UL1413, category 94-V1			

Note

1. Measured by the resistance method.

FS Black Matrix
colour picture tube assembly

A51EAL155X47



The beginning of the windings is indicated with •

Fig.4 Deflection coil connections.

FS High-End colour picture tube

A51EHE175X

FEATURES

- 'Flatter' and 'squarer' screen
- In-line, hi-bi potential ART (Aberration Reducing Triode) gun
- Mask with corner suspension
- HIGH GLOSS screen finish
- Cd-free phosphors
 - Pigmented deep red
 - Sulphide green
 - Pigmented sulphide blue
- BLACK MATRIX technology
- Dark screen tube with increased EHT for improved contrast/brightness performance
- Quick-heating low-power cathodes
- Soft-flash
- Slotted shadow mask optimized for minimum moiré at 525 and 625 line systems
- Internal magnetic shield
- Internal multipole
- The tube is supplied with a double mussel monitor style deflection unit for enhanced convergence and raster performance
- 50 Hz and 100 Hz vertical repetition.

QUICK REFERENCE DATA

PARAMETER	TYP.	UNIT
Deflection angle	90	deg
Minimum useful screen diagonal	51	cm
Overall length	44.4	cm
Glass transmission	41	%
Neck diameter	29.1	mm
Heater voltage	6.15	V
Heater current	315	mA
Anode voltage	27.5	kV
Focus voltage	31% of anode voltage	
Mass	≈14	kg

FS High-End colour picture tube

A51EHE175X

ELECTRICAL DATA

SYMBOL	PARAMETER	MIN.	TYP.	UNIT
Capacitances				
$C_{a(m+m')}$	anode to external conductive coating, including rimband	1 600	–	pF
C_{kR}, C_{kG}, C_{kB}	cathode of any gun to all other electrodes	–	5	pF
C_{g1}	grid 1 to all other electrodes	–	17	pF
C_{g3}	grid 3 (focusing electrode) to all other electrodes	–	6	pF
Heating				
V_f	heater voltage at average beam current: indirect AC (preferably mains or line frequency) or DC	–	6.15	V
I_f	heater current	–	315	mA
Resistance				
R_{rim}	resistance between rimband and external conductive coating	50	–	MΩ

ELECTRO-OPTICAL DATA

PARAMETER	VALUE
Electron gun system	unitized triple-aperture electrodes; aberration reducing triode
Focus method	electrostatic
Focus lens	hi-bi potential
Deflection method	magnetic
Deflection angles	
diagonal	90°
vertical	78°
horizontal	60°

FS High-End colour picture tube

A51EHE175X

OPTICAL DATA

PARAMETER	VALUE
Matrix	black opaque material, PVP technology
Screen	metal-backed vertical phosphor stripes; phosphor lines follow glass contour
Screen finish	high gloss
Nominal useful screen dimensions	
diagonal axis	511.4 mm
horizontal axis	411.8 mm
vertical axis	309.7 mm
area	1270 cm ²
Phosphor alignment	see Fig.1
Phosphors	
red	pigmented europium activated rare earth
green	Cd-free sulphide type
blue	pigmented sulphide type
Persistence	medium short
Centre-to-centre distance of identical colour phosphor stripes at centre of screen	≈0.69 mm
Light transmission of face glass at centre of screen	41%
Luminance at centre of screen; note 1	78 cd/m ²
Contrast	>20.1 dB

Note

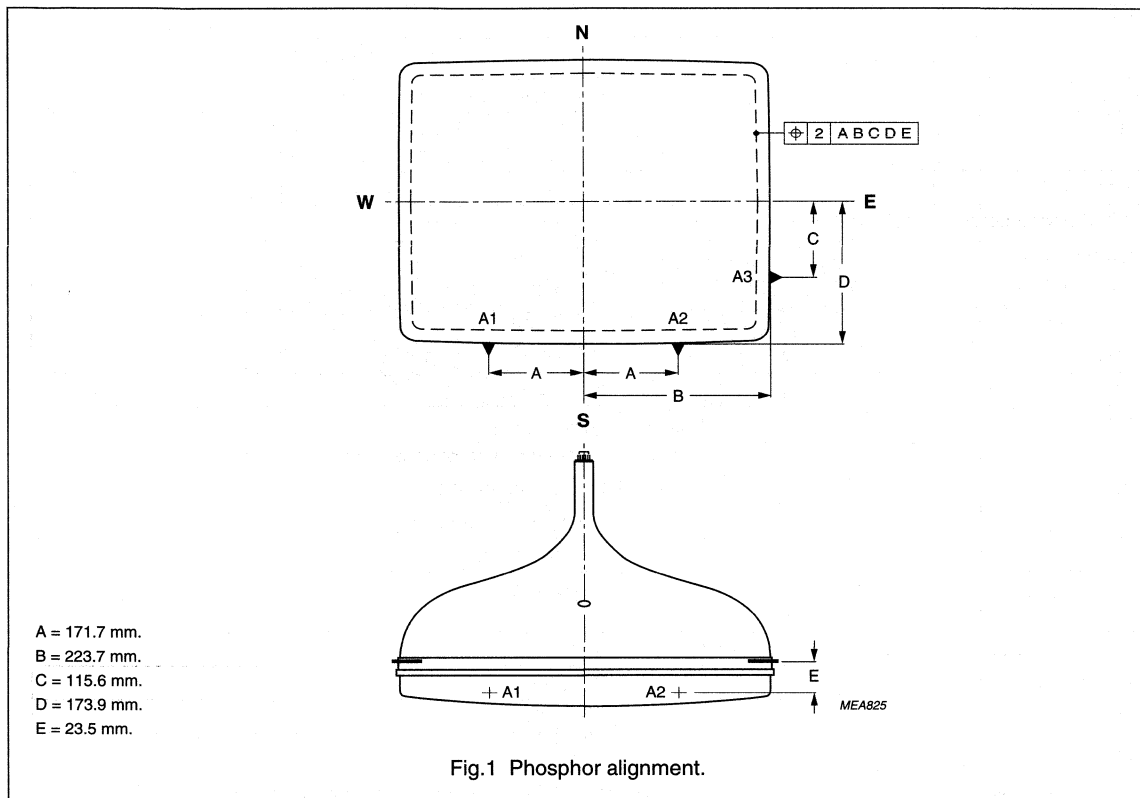
1. Tube settings adjusted to produce white D ($x = 0.313$, $y = 0.329$), focused raster, current density $0.4 \mu\text{A}/\text{cm}^2$.

Colour coordinates

COLOUR COORDINATE	x	y
Red	0.630	0.330
Green	0.295	0.595
Blue	0.155	0.065

FS High-End colour picture tube

A51EHE175X

**MECHANICAL DATA**

See Figs 2 to 12.

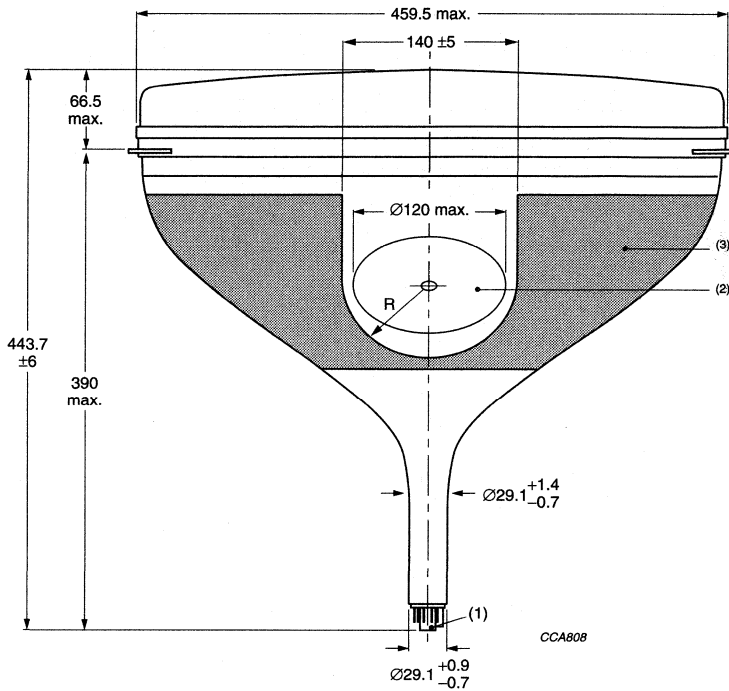
PARAMETER	VALUE
Overall length	443 ±6 mm
Bulb dimensions	
diagonal	<546.1 mm
horizontal	<455.6 mm
vertical	<359.6 mm
Neck diameter; note 1	29.1 +1.4/-0.7 mm
Base	Base JEDEC B10-277
Anode contact	small cavity contact JEDEC J1-21; IEC 67-III-2
Mounting position	anode contact on top
Implosion protection	shrunk-on rimband with integral mounting lugs
Mass	≈14 kg

Note

1. In the region of 78.5 mm from the neck end, the maximum diameter is 30 mm.

FS High-End colour picture tube

A51EHE175X



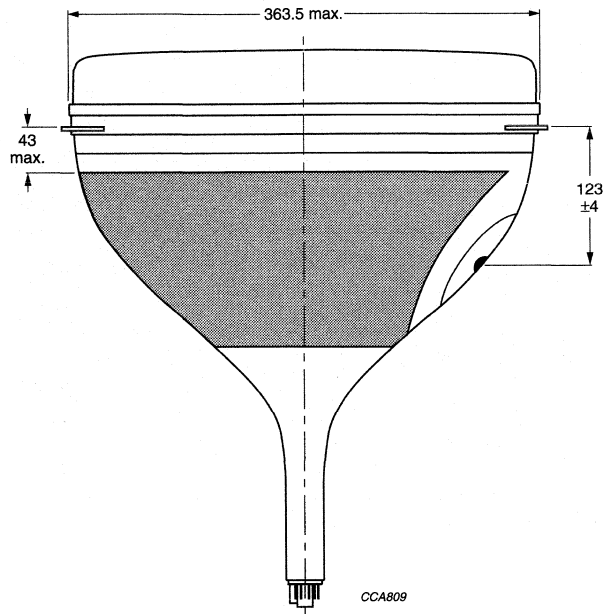
Dimensions in mm.

- (1) The socket for this base should not be rigidly mounted; it should have flexible leads and be allowed to move freely. After mounting of the tube in the cabinet note that the position of the base can fall within a circle, having a diameter of max. 50 mm concentric with an imaginary tube axis.
- (2) To clean this area, wipe only with a soft lint-less cloth.
- (3) Configuration of the outer conductive coating may vary but will contain the contact area as shown.

Fig.2 Tube dimensions; top view.

FS High-End colour picture tube

A51EHE175X

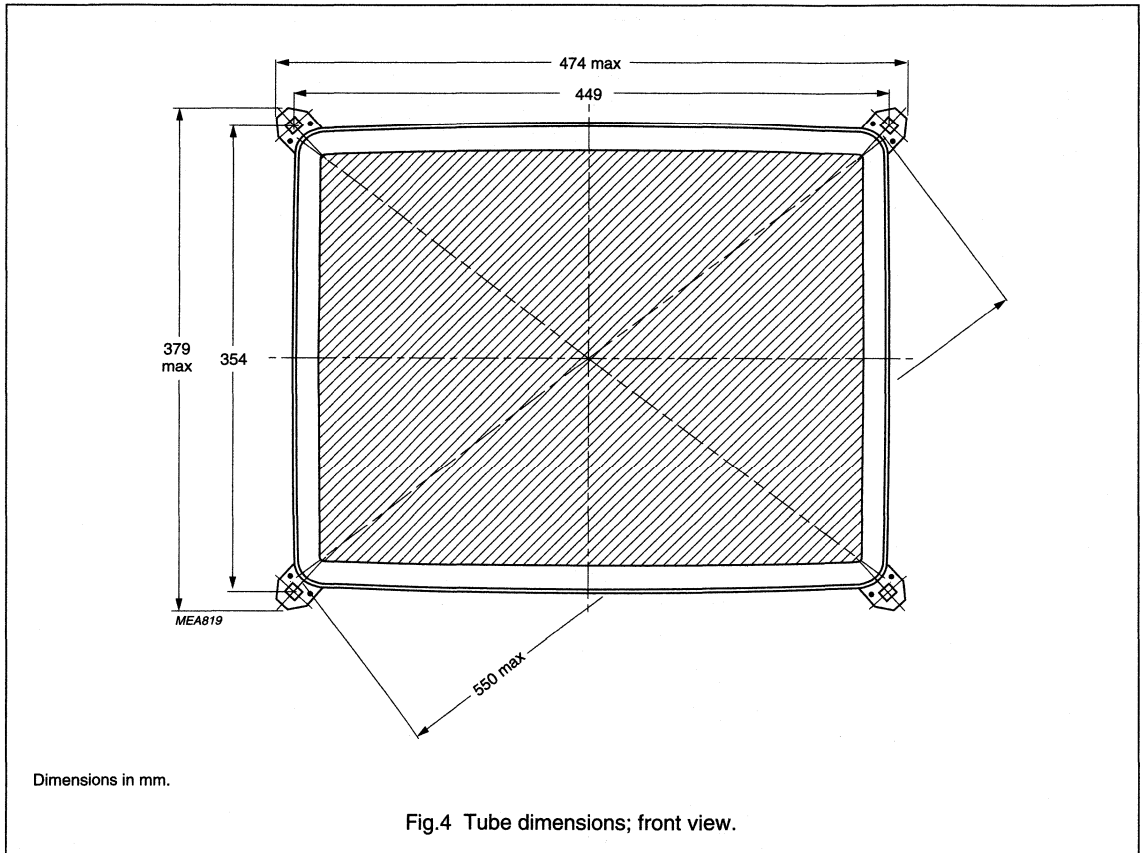


Dimensions in mm.

Fig.3 Tube dimensions; side view.

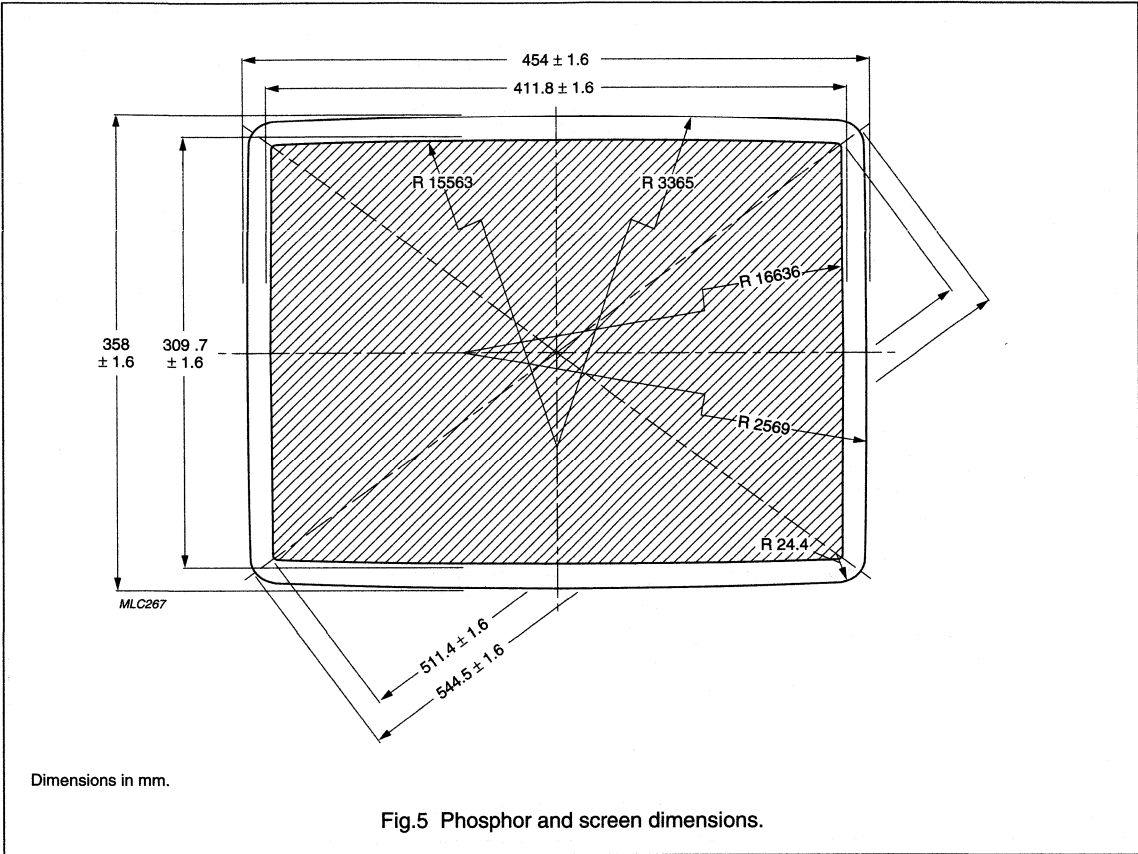
FS High-End colour picture tube

A51EHE175X



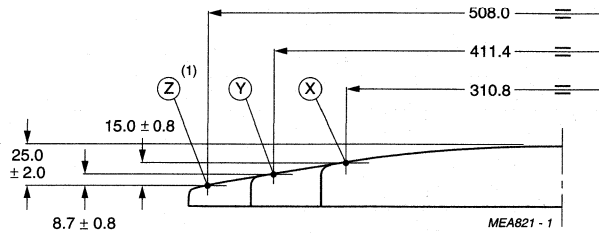
FS High-End colour picture tube

A51EHE175X



FS High-End colour picture tube

A51EHE175X



Dimensions in mm.

(1) Coordinates for Z: X = 203.2, Y = 152.4.

The X, Y and Z reference points are located on the outside surface of the face plate on the minor, major and diagonal screen axis respectively.

The distance Z from any point on the screen to the centre can be calculated using the following formula:

$$Z = \left(A_1 \times X^{B_1} \right) + \left(A_2 \times Y^{B_2} \right) + \left(A_3 \times X^{B_3} \times Y^{B_4} \right)$$

Where:

$$A_1 = 2.33161 \times 10^{-4}$$

$$A_2 = 2.50647 \times 10^{-4}$$

$$A_3 = -9.31800 \times 10^{-11}$$

$$B_1 = 2.1$$

$$B_2 = 2.1$$

$$B_3 = 1.84082$$

$$B_4 = 2.65536$$

Fig.6 Screen reference points.

FS High-End colour picture tube

A51EHE175X

Sagittal heights measured with respect to the end of the diagonal axis of the nominal useful screen

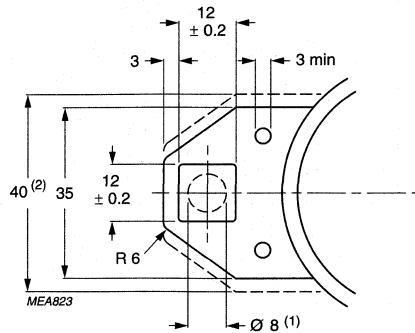
NOMINAL USEFUL SCREEN (NUS)			3 mm INSIDE NUS			5 mm OUTSIDE NUS		
COORDINATES		SAGITTAL HEIGHT (mm)	COORDINATES		SAGITTAL HEIGHT (mm)	COORDINATES		SAGITTAL HEIGHT (mm)
X (mm)	Y (mm)		X (mm)	Y (mm)		X (mm)	Y (mm)	
0.0	0.0	25.4	0.0	0.0	24.6	0.0	0.0	26.8
0.0 ⁽¹⁾	155.1	15.5	0.0	152.1	15.0	0.0	160.1	16.2
20.0	155.1	15.4	20.0	152.1	14.9	20.0	160.1	16.1
40.0	155.1	15.0	40.0	152.1	14.6	40.0	160.1	15.7
60.0	155.0	14.3	60.0	152.0	13.9	60.0	160.0	15.0
80.0	154.9	13.4	80.0	151.9	12.9	80.0	159.9	14.1
100.0	154.8	12.1	100.0	151.8	11.7	100.0	159.8	12.8
120.0	154.6	10.5	120.0	151.6	10.1	120.0	159.6	11.2
140.0	154.5	8.6	140.0	151.5	8.2	140.0	159.5	9.3
160.0	154.3	6.3	160.0	151.3	5.9	160.0	159.3	7.1
180.0	154.1	3.8	180.0	151.1	3.3	180.0	159.1	4.5
200.0	153.8	0.8	200.0	150.8	0.4	200.0	158.8	1.6
205.2 ⁽²⁾	153.8	0.0	202.2	150.8	0.0	210.0	158.7	0.0
205.2	150.0	0.4	–	–	–	–	–	–
205.4	130.0	2.5	202.4	130.0	2.2	210.4	130.0	3.0
205.5	110.0	4.3	202.5	110.0	3.9	210.5	110.0	4.8
205.7	90.0	5.7	202.7	90.0	5.4	210.7	90.0	6.3
205.8	70.0	6.9	202.8	70.0	6.6	210.8	70.0	7.4
205.8	50.0	7.8	202.8	50.0	7.4	210.8	50.0	8.3
205.9	30.0	8.3	202.9	30.0	8.0	210.9	30.0	8.8
205.9	10.0	8.6	202.9	10.0	8.3	210.9	10.0	9.1
205.9 ⁽³⁾	0.0	8.6	202.9	0.0	8.3	210.9	0.0	9.1

Notes

1. End of short axis.
2. End of diagonal axis.
3. End of long axis.

FS High-End colour picture tube

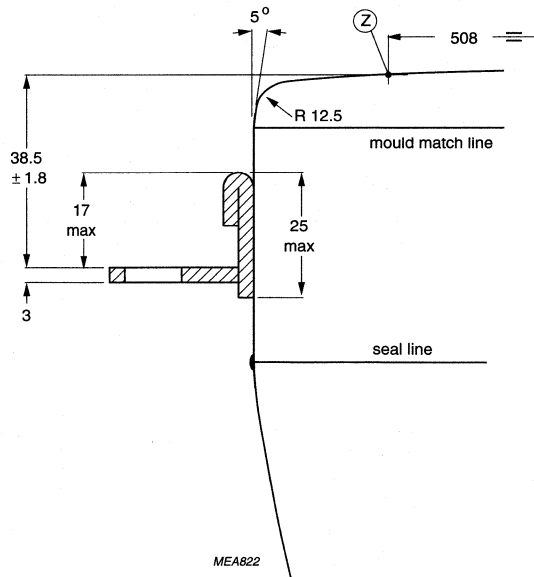
A51EHE175X



Dimensions in mm.

- (1) The position of the mounting screw in the cabinet must be within a circle of 8 mm diameter drawn around the true geometrical positions, i.e. the corners of a rectangle of 354.0 mm × 449.0 mm.
 (2) Minimum space to be reserved for mounting lug in cabinet.

Fig.7 Lug dimensions.



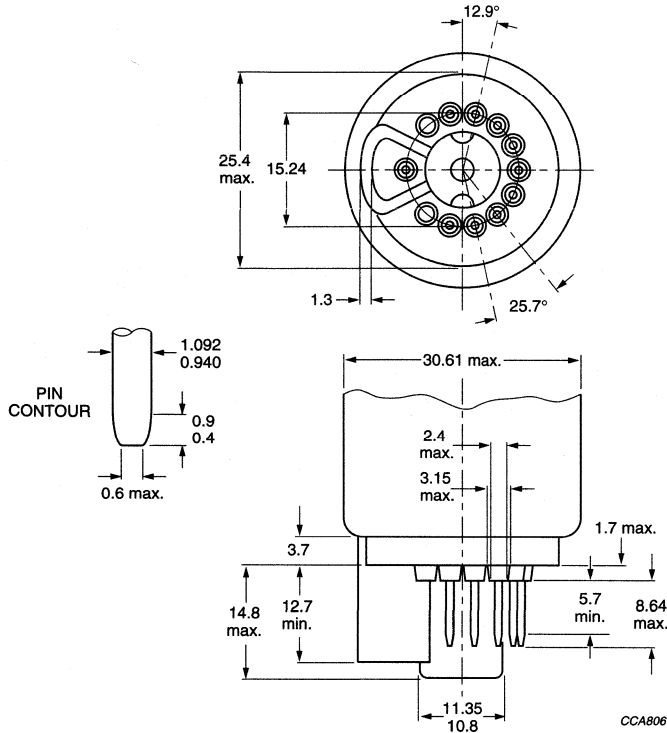
Dimensions in mm.

The displacement of any lug with respect to the plane through the three other lugs is max. 1.3 mm. This deviation is incorporated in the tolerance of ± 1.8 mm.

Fig.8 Lug position.

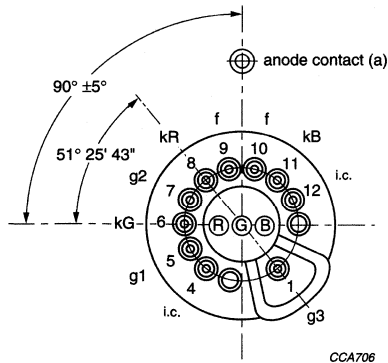
FS High-End colour picture tube

A51EHE175X



Dimensions in mm.

Fig.9 Base JEDEC B10-277.



i.c. = internally connected and not to be used.

Fig.10 Pin arrangement.

Remarks: to Figs 9 and 10.

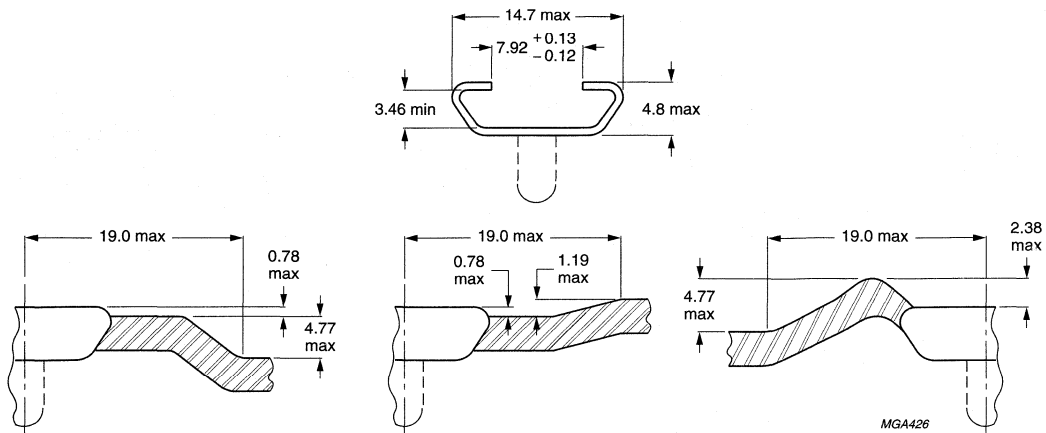
The socket for this base should not be rigidly mounted, it should have flexible leads and be allowed to move freely. After mounting the tube in the cabinet, note that the position of the base can fall within a circle, having a diameter of max. 40 mm concentric with an imaginary tube axis.

The mass of the mounting socket assembly should not exceed 150 g.

Maximum permissible torque on the tube neck is 0.04 Nm.

FS High-End colour picture tube

A51EHE175X



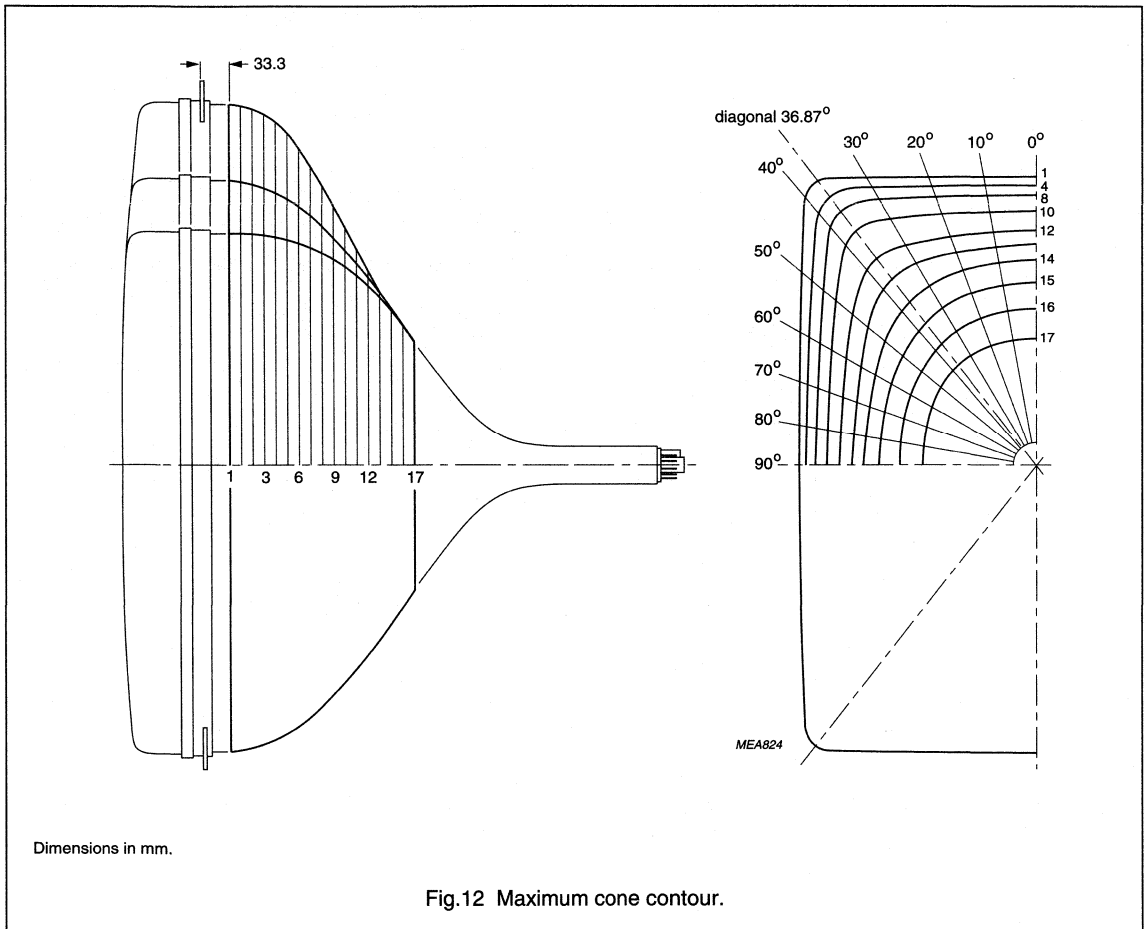
Dimensions in mm.

Fig.11 Cavity cap JEDEC J1-21, IEC 67-III-2.

FS High-End colour picture tube

A51EHE175X

Cone contour



FS High-End colour picture tube

A51EHE175X

Cone contour data

SECTION	NOMINAL DISTANCE FROM SECTION 1 (mm)	MAXIMUM DISTANCE FROM TUBE AXIS (mm)										
		0°	10°	20°	30°	36.87°	40°	50°	60°	70°	80°	90°
1	0.0	225.7	228.9	239.1	257.6	271.8	267.2	227.9	203.1	187.9	179.6	177.0
2	10.0	224.6	227.7	237.7	255.9	270.0	265.3	226.7	201.9	186.8	178.6	175.9
3	20.0	221.8	224.8	234.3	251.1	264.3	259.6	222.9	198.9	184.2	176.1	173.5
4	30.0	218.1	220.9	229.6	244.5	254.7	250.6	217.9	195.1	180.9	173.1	170.6
5	40.0	213.8	216.4	224.1	236.5	243.1	239.6	212.0	190.9	177.3	169.9	167.5
6	50.0	208.7	211.0	217.7	227.5	231.3	228.4	205.6	186.3	173.6	166.5	164.2
7	60.0	202.6	204.5	210.0	217.5	219.5	217.0	198.5	181.0	169.3	162.6	160.5
8	70.0	195.1	196.8	201.3	206.9	207.6	205.4	190.3	175.1	164.4	158.3	156.3
9	80.0	186.2	187.6	191.4	195.6	195.4	193.5	181.3	168.4	158.9	153.3	151.5
10	90.0	175.6	176.9	180.1	183.3	182.8	181.1	171.4	160.7	152.5	147.6	146.0
11	100.0	163.6	164.6	167.4	169.9	169.2	167.9	160.4	151.9	145.2	141.0	139.6
12	110.0	150.3	151.3	153.8	155.7	154.7	153.6	147.9	141.7	136.6	133.4	132.3
13	120.0	136.4	137.3	139.3	140.4	139.5	138.6	134.5	130.3	126.8	124.6	123.9
14	130.0	122.1	122.8	124.4	124.9	124.0	123.3	120.7	118.2	116.1	114.7	114.3
15	140.0	107.5	107.7	108.2	108.6	108.4	108.2	107.0	105.7	104.5	103.8	103.5
16	150.0	92.6	92.3	92.3	92.6	92.8	92.9	92.9	92.6	92.1	91.6	91.4
17	159.5	78.1	78.1	78.1	78.1	78.1	78.1	78.1	78.1	78.1	78.1	78.1

HANDLING

During shipment and handling the tube should not be subjected to accelerations greater than 350 m/s² in any direction (at pulse ≤10 ms).

FS High-End colour picture tube

A51EHE175X

OPERATING DATA

The voltages are specified with respect to grid 1.

SYMBOL	PARAMETER	CONDITIONS	MIN.	TYP.	MAX.	UNIT
$V_{a,g4}$	anode voltage	at full screen load	–	27.5	–	kV
V_{g3}	grid 3 (focus electrode) voltage		8.0	–	9.1	kV
V_{g2}	grid 2 voltage	for spot cut-off voltage $V_k = 160$ V	700	–	1020	V
V_f	heater voltage	tube operating	–	6.15	–	V

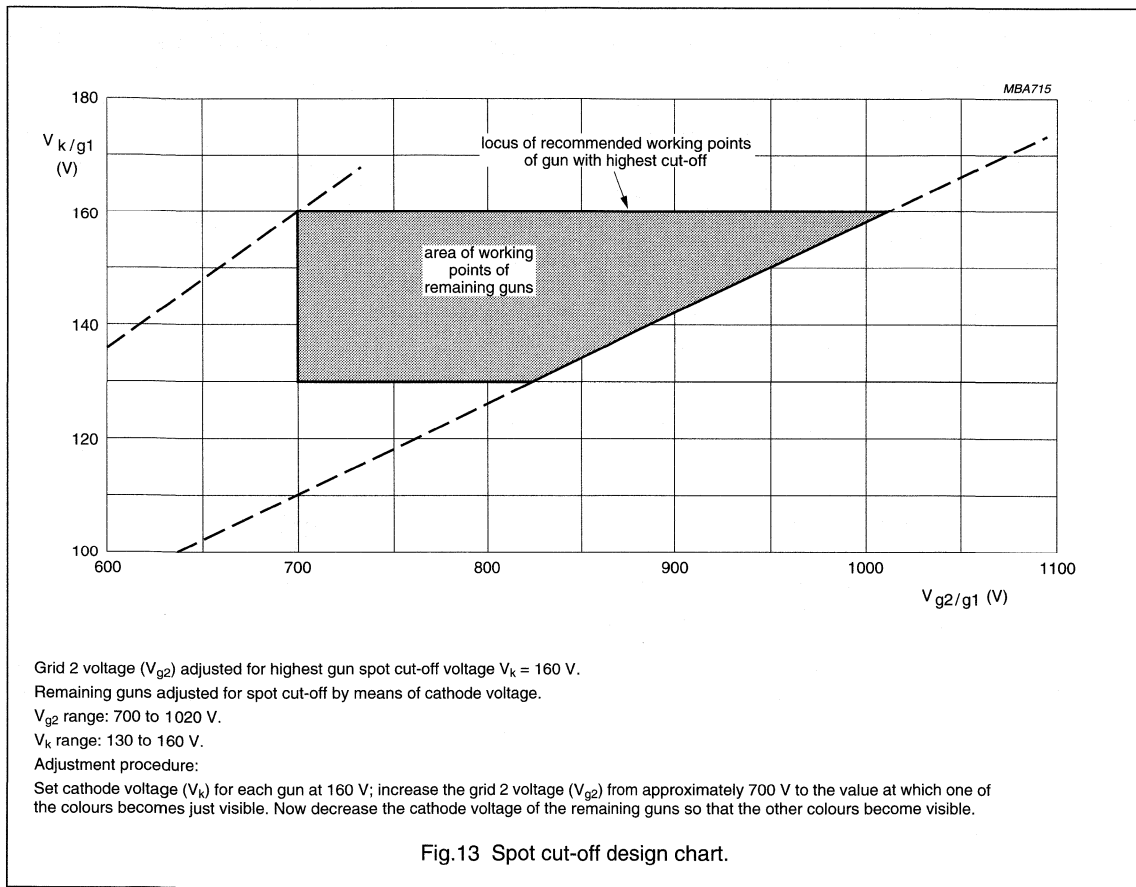


Fig.13 Spot cut-off design chart.

FS High-End colour picture tube

A51EHE175X

CHASSIS DESIGN VALUES

The values are valid for anode voltages between 22 and 29.5 kV. The voltages are specified with respect to grid 1.

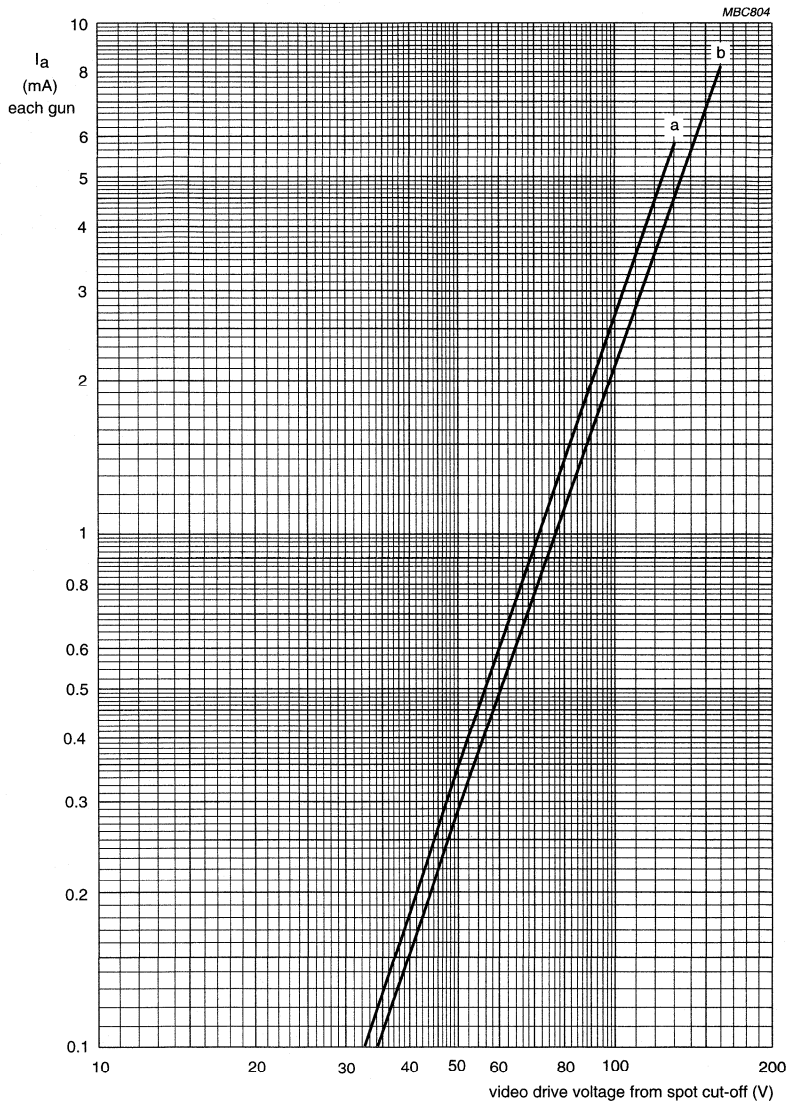
SYMBOL	PARAMETER	CONDITIONS	MIN.	TYP.	MAX.	UNIT
V_{g3}	grid 3 (focus electrode) voltage as a percentage of anode voltage		29	–	33	%
V_{g2} and V_k	grid 2 voltage and cathode voltage	for visual extinction of focused spot	see Fig.13			
ΔV_k	difference in cut-off voltage between guns in any tube		lowest value >80% of highest value			
V_f	heater voltage	tube operating	–	6.15	–	V
	video drive characteristics		note 1 and Fig.14			
I_{g3}	grid 3 (focus electrode) current		–2	–	+2	μA
I_{g2}	grid 2 current		–2	–	+2	μA
I_{g1}	grid 1 current	under cut-off conditions	–2	–	+2	μA
R_{ins}	insulation resistance	each cathode to grid 1 and heater	50	–	–	$\text{M}\Omega$
Anode currents to produce white of 6500 K + 7 MPCD (CIE coordinates: x = 0.313; y = 0.329)						
PERCENTAGE OF THE TOTAL ANODE CURRENT SUPPLIED BY EACH GUN (TYPICAL)						
	red gun		–	41.3	–	%
	green gun		–	34.4	–	%
	blue gun		–	24.3	–	%
RATIO OF ANODE CURRENTS						
	red gun to green gun		0.85	–	1.55	
	red gun to blue gun		1.20	–	2.20	
	blue gun to green gun		0.40	–	1.00	

Note

- For optimum picture performance it is recommended that the cathodes are not driven below +1 V with respect to grid 1.

FS High-End colour picture tube

A51EHE175X



$V_f = 6.15$ V.

$V_{a,g4} = 27.5$ kV.

V_{g3} adjusted for focus.

V_{g2} (each gun) adjusted to provide spot cut-off for $V_k = 130$ V (curve a) and $V_k = 160$ V (curve b).

Fig. 14 Typical cathode drive characteristics.

FS High-End colour picture tube

A51EHE175X

LIMITING VALUES

In accordance with the Absolute Maximum Rating System (IEC 134). The voltages are specified with respect to grid 1.

SYMBOL	PARAMETER	CONDITIONS	MIN.	MAX.	UNIT
$V_{a,g4}$	anode voltage	notes 1 and 2	22 ⁽³⁾	31.0 ⁽⁴⁾	kV
I_a	long-term average current for three guns	note 5	–	1000	μ A
V_{g3}	grid 3 (focus electrode) voltage		–	11	kV
V_{g2}	grid 2 voltage	note 6	–	1200	V
V_f	heater voltage	note 7	5.7	6.6 ⁽⁴⁾	V
Cathode voltage					
V_k	positive	operating	–	250	V
		during blanking	–	400	V
V_k	positive operating cut-off		–	200	V
V_k	negative		–	0	V
V_{kp}	negative peak		–	–2	V
Cathode to heater voltage					
V_{kf}	positive		–	250	V
V_{kfp}	positive peak		–	300	V
V_{kf}	negative		–	–135	V
V_{kfp}	negative peak		–	–180	V
Circuit values					
R_{g3}	grid 3 circuit resistance		–	70	M Ω
R_{g2}	grid 2 circuit resistance		–	7	M Ω
R_{g1k}	grid 1 to cathode circuit resistance (each gun)		–	750	k Ω

Notes

1. During adjustment on the production line this value is likely to be surpassed considerably. It is therefore strongly recommended to first make the necessary adjustments for normal operation without the picture tube.
2. The picture tube does not emit X-radiation above 1 μ Sv/h when operated at 31.0 kV and 1.5 mA.
3. Operation of the tube at lower voltages impairs the luminance and resolution and may impair the convergence.
4. This value is an absolute maximum.
5. The short-term average anode current should be limited by circuitry to 1500 μ A.
6. During adjustment on the production line maximum 1500 V is permitted.
7. For maximum cathode life and optimum performance it is recommended that the heater supply is designed for 6.15 V at average beam current, for most applications this equals 6.3 V at zero beam current. **The heater supply source impedance must not be less than 2 Ω .**

BEAM CENTRING

Maximum centring error is 4 mm in any direction after colour purity, static convergence and horizontal centre line correction (measured with deflection coils at nominal position).

FS High-End colour picture tube

A51EHE175X

FLASHOVER PROTECTION

The high voltages used with this tube (absolute max. 31.0 kV) may produce internal flashovers. Soft-flash technology limits these flashover currents to approximately 60 A offering higher reliability, optimum circuit protection and component savings.

Primary protective circuitry using properly grounded spark gaps and series isolation resistors (preferably carbon composition) is still necessary

to prevent tube damage. The spark gaps should be connected to all picture tube electrodes (except the tube heaters) at the tube socket in accordance with Fig.15. No other connections between the outer conductive coating and the chassis are permissible. The spark gaps should be designed for a maximum breakdown voltage at the focus electrode (g_3) of approximately 11.5 kV ($1.5 \times V_{g_3}$ max. at $V_{a,g_4} = 27.5$ kV) and at the other

electrodes of 1.5 to 2 kV at the lowest operating atmospheric pressure.

The values of the series isolation resistors should be as high as possible (min. 1.5 k Ω) without causing deterioration of circuit performance. The resistors should be able to withstand an instantaneous surge of 20 kV for the focus circuit and 12 kV for the remaining circuits without arcing.

Additional information is available on request.

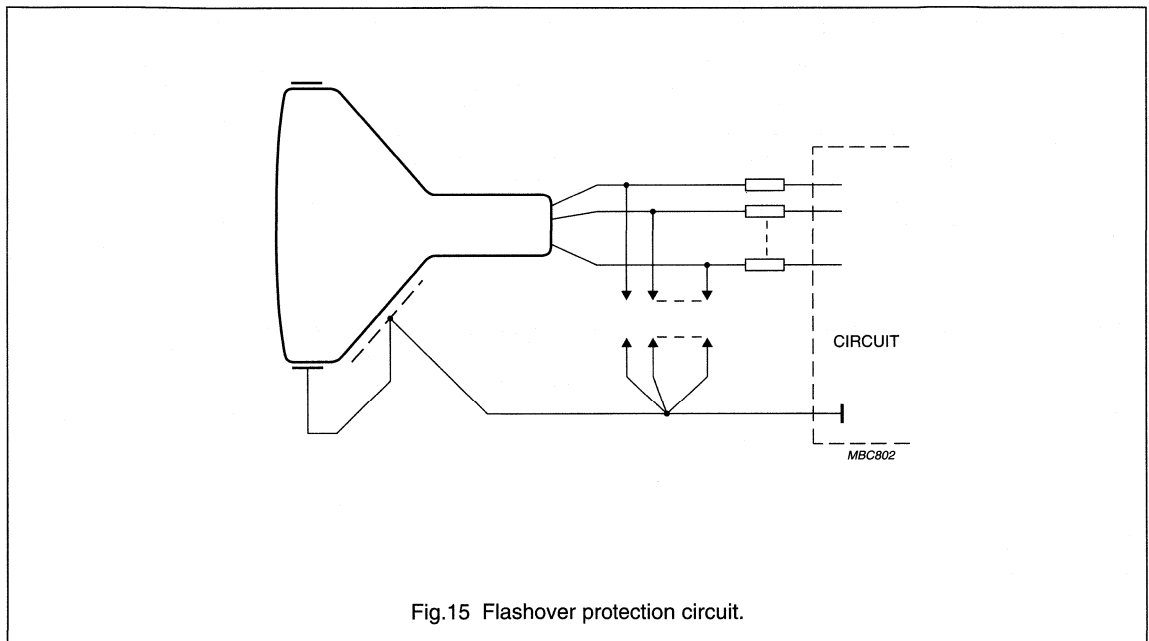


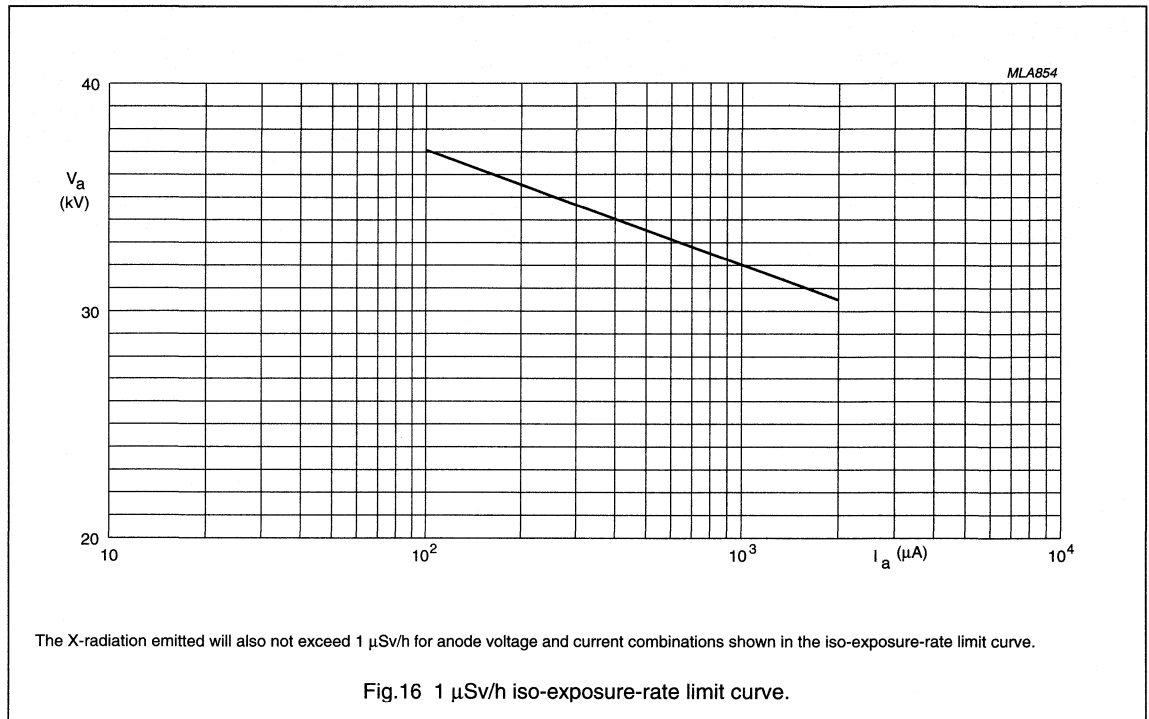
Fig.15 Flashover protection circuit.

FS High-End colour picture tube

A51EHE175X

X-RADIATION

The tube does not emit X-radiation above 1 $\mu\text{Sv/h}$ when operated at 31.0 kV and 1.5 mA.



FS High-End colour picture tube

A51EHE175X

DEGAUSSING

The picture tube is provided with an internal magnetic shield. This shield and the shadow mask with its suspension system may be provided with an automatic degaussing system, consisting of one or two coil windings mounted on the cone of the picture tube.

For proper degaussing an initial magnetomotive force (MMF) of 300 ampere-turns for double-coil

systems and 700 ampere-turns for single-coil systems is required in each coil. This MMF has to be gradually decreased using appropriate degaussing circuitry. In the steady state, no significant MMF should remain in the coil(s) (≤ 0.3 ampere-turns for double-coils and ≤ 0.6 ampere-turns for single-coils).

To prevent beam landing disturbances by line-frequency currents induced in the degaussing

coils, these coils should be shunted by a capacitor of sufficiently high value.

If single-phase power rectification is employed in the TV circuitry, provision should be included to prevent asymmetric distortion of the AC voltage applied to the degaussing circuit due to high DC inrush currents.

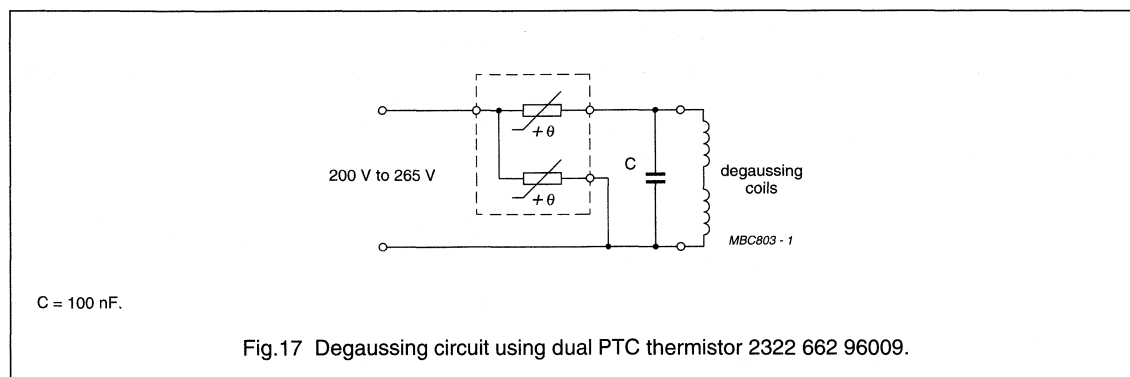
An example of a degaussing circuit and coil data is given in Fig.17 and Table "Degaussing coil data".

Degaussing coil data

PARAMETER	DOUBLE-COIL SYSTEM	SINGLE-COIL SYSTEM	CONTINUOUS-COIL SYSTEM	UNIT
Circumference	125	139	248	cm
Number of turns	60	140	140	
Copper wire diameter	0.4	0.4	0.4	mm
Aluminium wire diameter	0.5	0.5	0.5	mm
Resistance	22 ⁽¹⁾	27	47	Ω

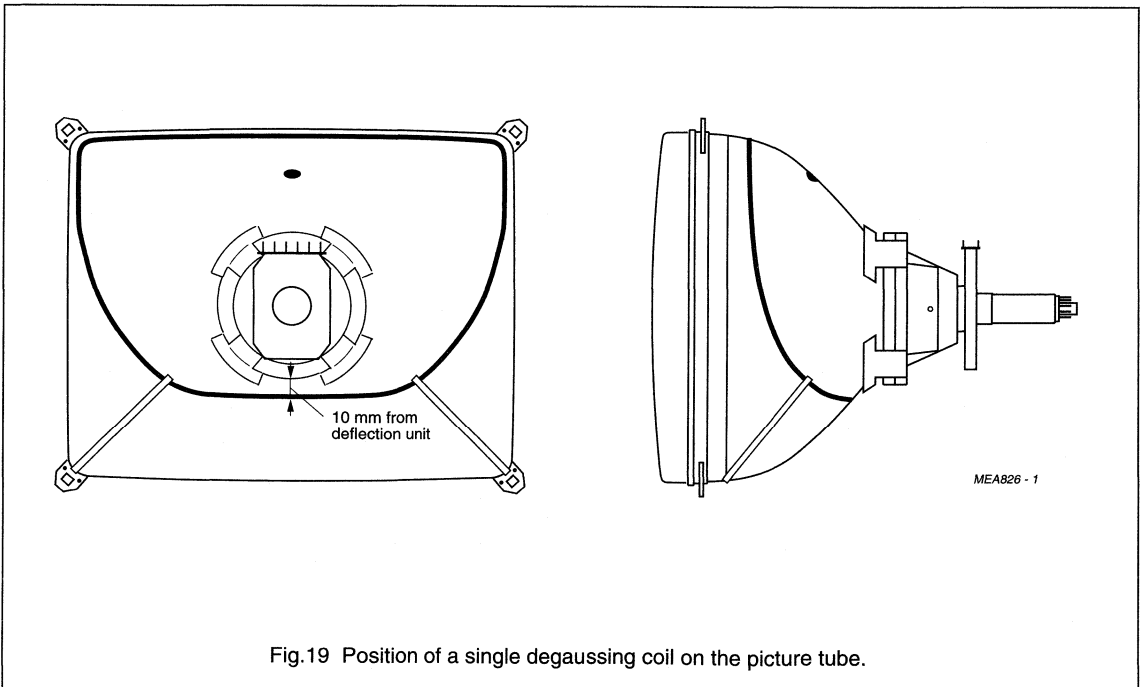
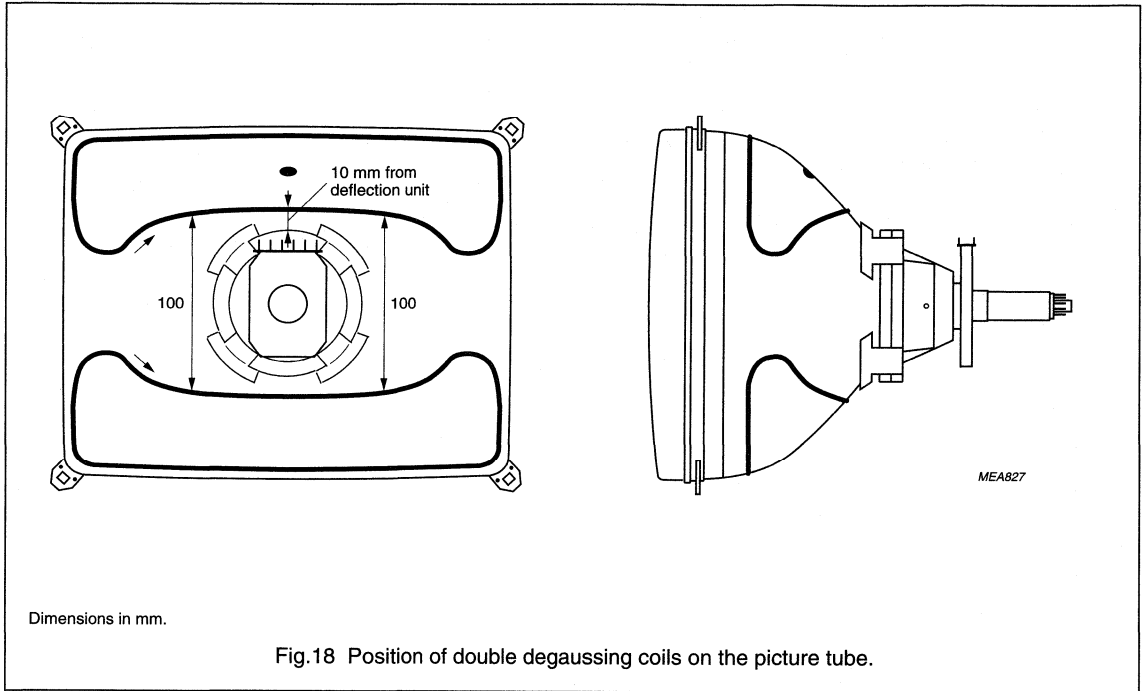
Note

1. Series connected.



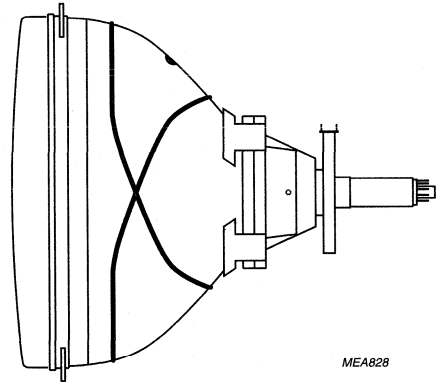
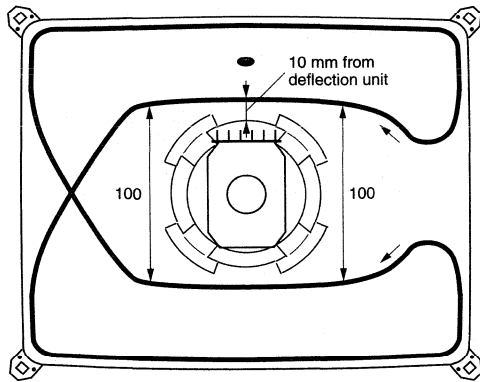
FS High-End colour picture tube

A51EHE175X



FS High-End colour picture tube

A51EHE175X



Dimensions in mm.

Fig.20 Position of a continuous degaussing coil on the picture tube.

FS High End colour picture tube assembly

A51EHE175X50

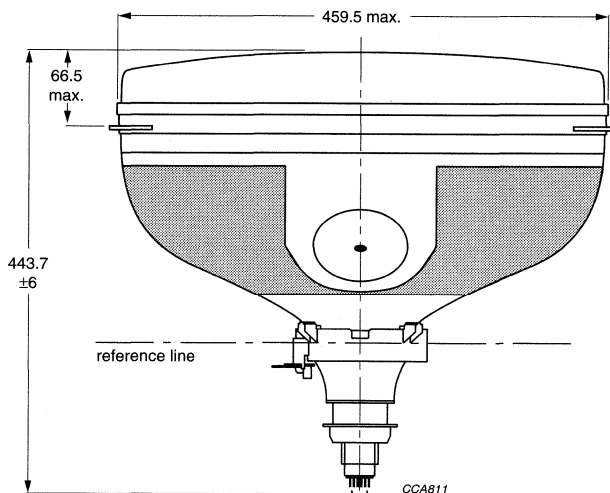
FEATURES

- 100 Hz vertical repetition
- Factory preset tube/coil assembly
- Self-converging and north-south raster correction free
- 51 cm, 90° colour picture tube A51EHE175X
- Hybrid double mussel monitor style deflection unit AT6038/50
- High End convergence and raster performance.

QUICK REFERENCE DATA

PARAMETER	TYP.	UNIT
Deflection angle	90	deg
Minimum useful screen diagonal	51	cm
Overall length	44.4	cm
Neck diameter	29.1	mm
Anode voltage	27.5	kV
Mass	≈16	kg

MECHANICAL DATA

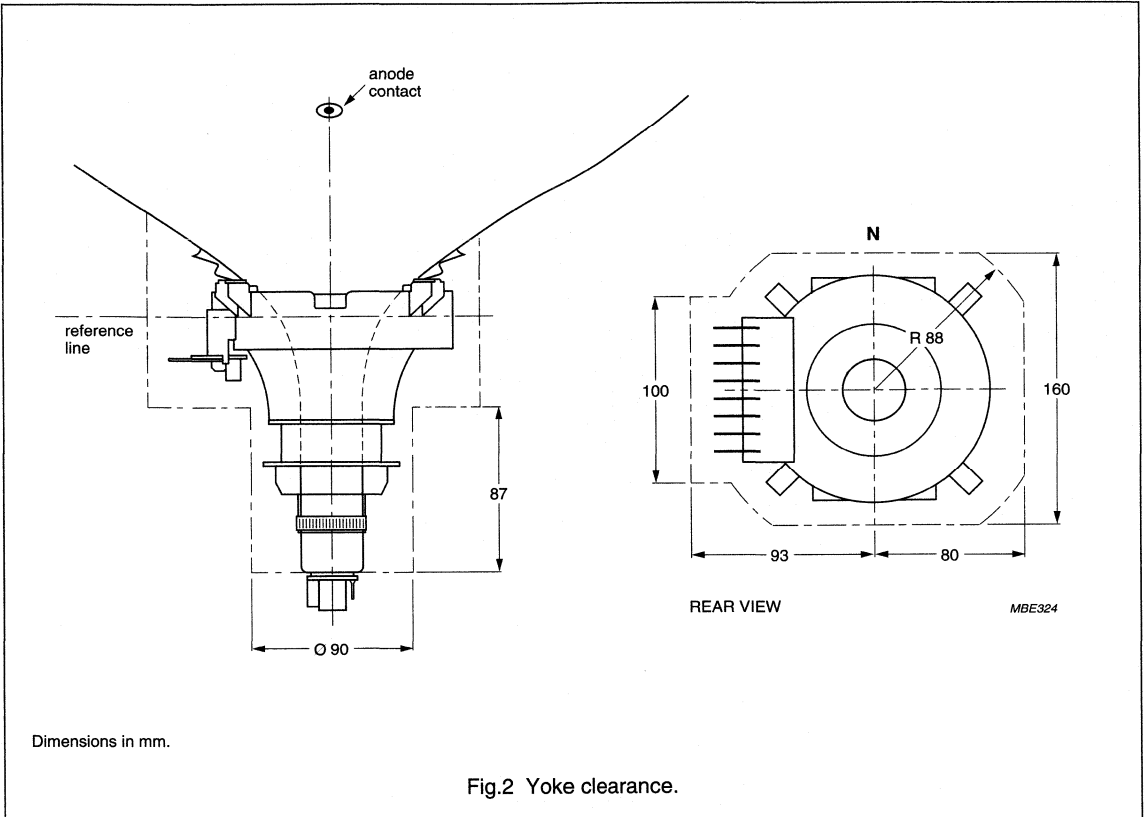


Dimensions in mm.

Fig.1 Tube assembly.

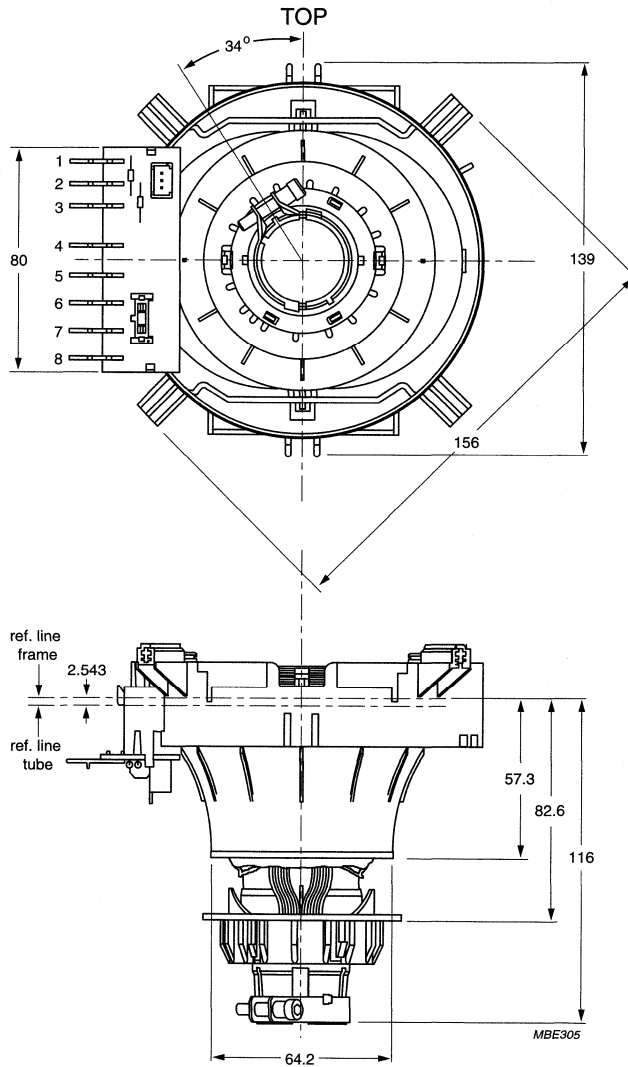
FS High End colour picture tube assembly

A51EHE175X50



FS High End colour picture tube assembly

A51EHE175X50



Dimensions in mm.

Fig.3 Deflection unit.

FS High End colour picture tube assembly

A51EHE175X50

DEFLECTION COIL DATA

Voltages are specified with respect to grid 1. The values are valid for an anode voltage of 27.5 kV.

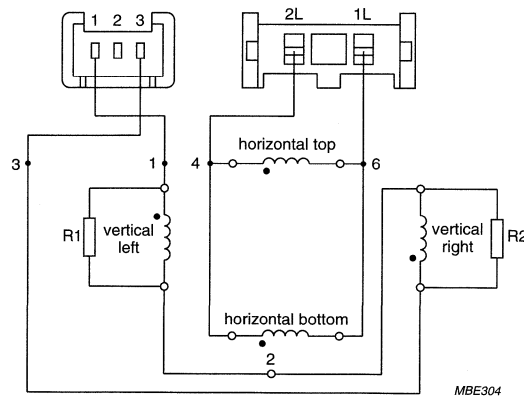
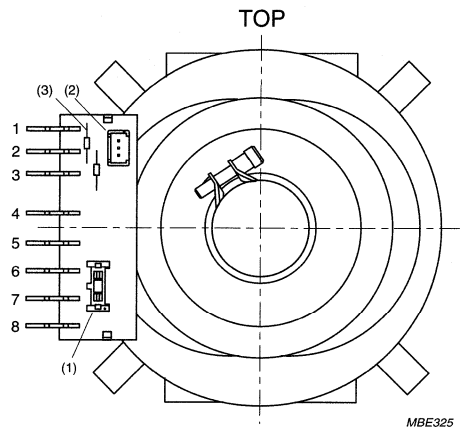
PARAMETER	CONDITIONS	MIN.	TYP.	MAX.	UNIT
Horizontal coils, parallel connected					
Inductance	1 V (RMS); 1 kHz	0.62	0.65	0.68	mH
Resistance	$T_{amb} = 25\text{ }^{\circ}\text{C}$	0.90	1.00	1.10	Ω
Horizontal deflection current (peak-to-peak value)	edge-to-edge; $V_a = 27.5\text{ kV}$	–	5.0	–	A
Sensitivity		–	16.3	–	mJ
Vertical coils, parallel connected					
Inductance	1 V (RMS); 1 kHz	9.8	10.2	10.6	mH
Resistance	$T_{amb} = 25\text{ }^{\circ}\text{C}$	7.5	8.3	9.1	Ω
Vertical deflection current (peak-to-peak value)	edge-to-edge; $V_a = 27.5\text{ kV}$	–	1.22	–	A
Deflection unit					
Insulation resistance	1 kV				
between horizontal and vertical coils		500	–	–	$M\Omega$
between horizontal coil and yoke ring		500	–	–	$M\Omega$
between vertical coil and yoke ring		10	–	–	$M\Omega$
Cross-talk from horizontal to vertical coils	10 V; 15625 Hz across the horizontal coils	–	–	0.2	V
Average copper temperature	note 1	–	–	90	$^{\circ}\text{C}$
Storage temperature		–25	–	+90	$^{\circ}\text{C}$
Safety					
Flame retardant		in accordance with UL1413, category 94-V1			

Note

1. Measured by the resistance method.

FS High End colour picture tube assembly

A51EHE175X50



The beginning of the windings is indicated with •

- (1) Horizontal connector: AMP Ultrex connection system; connector 2-173270-2; matching connector 2-173268-2.
- (2) Vertical connector: Stocko system RFK1 (MKS series); matching connector MKF17033, MKF17330 or MKF17360 series.
- (3) $R1 = R2 = 100 \Omega$, 0.25 W.

Fig.4 Deflection coil connections.

'Black Standard' colour picture tube**A59EAK071X****FEATURES**

- 'Flutter' and 'squarer' screen
- In-line, hi-bi potential ART (Aberration Reducing Triode) gun with quadrupole cathode lens
- Mask with corner suspension
- BLACK MATRIX technology
- HIGH GLOSS screen finish
- Cd-free phosphors
 - Pigmented deep red
 - Sulphide green
 - Pigmented sulphide blue
- Quick-heating low-power cathodes
- Slotted shadow mask optimized for minimum moiré at 525 and 625 line systems
- Internal magnetic shield
- Internal multipole.

QUICK REFERENCE DATA

PARAMETER	TYP.	UNIT
Deflection angle	110	deg
Useful screen diagonal	59	cm
Overall length	39	cm
Glass transmission	46	%
Neck diameter	29.1	mm
Heater voltage	6.15	V
Heater current	315	mA
Anode voltage	25	kV
Focus voltage	31% of anode voltage	

Black Standard

'Black Standard' colour picture tube

A59EAK071X

ELECTRICAL DATA

SYMBOL	PARAMETER	MIN.	TYP.	UNIT
Capacitances				
$C_{a(m+m')}$	anode to external conductive coating, including rimband	1800	–	pF
$C_{am'}$	anode to metal rimband	–	300	pF
C_k	cathodes of all guns (connected in parallel) to all other electrodes	–	15	pF
C_{kR}, C_{kG}, C_{kB}	cathode of any gun to all other electrodes	–	5	pF
C_{g1}	grid 1 to all other electrodes	–	17	pF
C_{g2}	grid 2 to all other electrodes	–	4.5	pF
C_{g3}	grid 3 (focusing electrode) to all other electrodes	–	6	pF
Heating				
V_f	heater voltage at average beam current: indirect AC (preferably mains or horizontal frequency) or DC	–	6.15	V
I_f	heater current	–	315	mA
Resistance				
R_{rim}	resistance between rimband and external conductive coating	50	–	MΩ

ELECTRO-OPTICAL DATA

PARAMETER	VALUE
Electron gun system	unitized triple-aperture electrodes; aberration reducing triode
Focus method	electrostatic
Focus lens	hi-bi potential
Deflection method	magnetic
Deflection angles	
diagonal	110°
vertical	97°
horizontal	77°

'Black Standard' colour picture tube

A59EAK071X

OPTICAL DATA

PARAMETER	VALUE
Matrix	black opaque material, PVP technology
Screen	metal-backed vertical phosphor stripes
Screen finish	high gloss
Nominal useful screen dimensions	
diagonal axis	591.0 mm
vertical axis	364.0 mm
horizontal axis	479.0 mm
area	1745 cm ²
Phosphor alignment	see Fig.1
Phosphors	
red	pigmented europium activated rare earth
green	Cd-free sulphide type
blue	pigmented sulphide type
Persistence	medium short
Centre-to-centre distance of identical colour phosphor stripes at centre of screen	≈0.8 mm
Light transmission of face glass at centre of screen	46%
Luminance at centre of screen; note 1	81 cd/m ²

Note

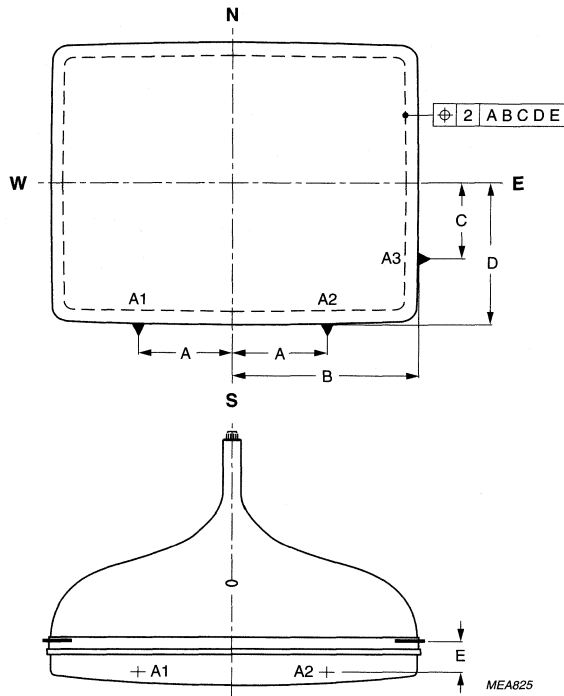
1. Tube settings adjusted to produce white D ($x = 0.313$, $y = 0.329$), focused raster, current density $0.4 \mu\text{A}/\text{cm}^2$, $V_a = 25 \text{ kV}$.

Colour coordinates

COLOUR	x	y
Red	0.630	0.330
Green	0.295	0.595
Blue	0.155	0.065

'Black Standard' colour picture tube

A59EAK071X



- A = 180.3 mm.
- B = 257.8 mm.
- C = 123.0 mm.
- D = 200.3 mm.
- E = 26.1 mm.

Fig.1 Phosphor alignment.

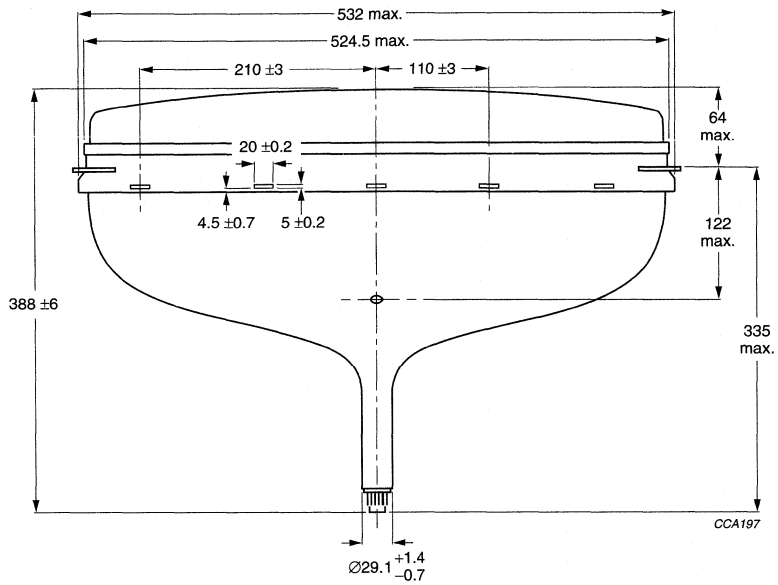
MECHANICAL DATA

See Figs 2 to 12.

PARAMETER	VALUE
Base	Base JEDEC B10-277
Anode contact	small cavity contact JEDEC J1-21; IEC 67-III-2
Mounting position	anode contact on top
Implosion protection	shrunk-on rimband
Mass including deflection unit	≈19 kg

'Black Standard' colour picture tube

A59EAK071X

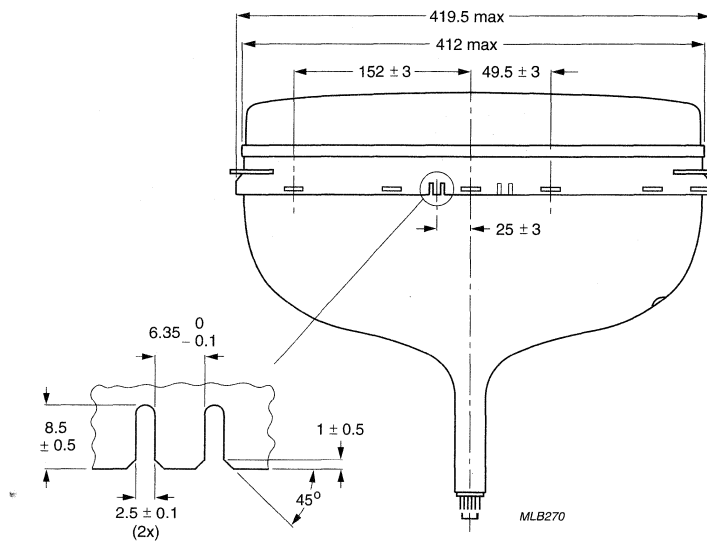


Dimensions in mm.

Fig.2 Tube dimensions; top view.

'Black Standard' colour picture tube

A59EAK071X

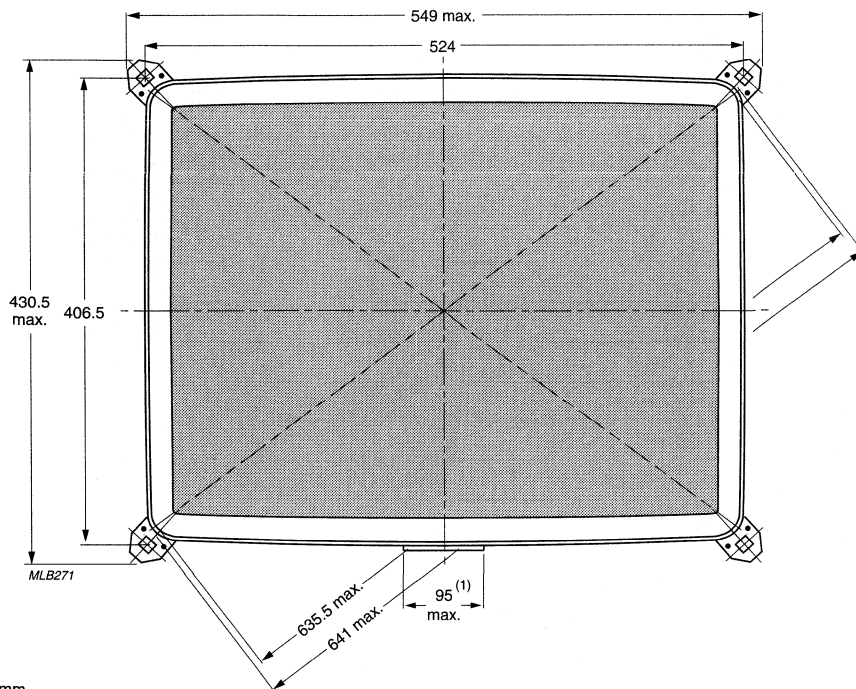


Dimensions in mm.

Fig.3 Tube dimensions; side view.

'Black Standard' colour picture tube

A59EAK071X

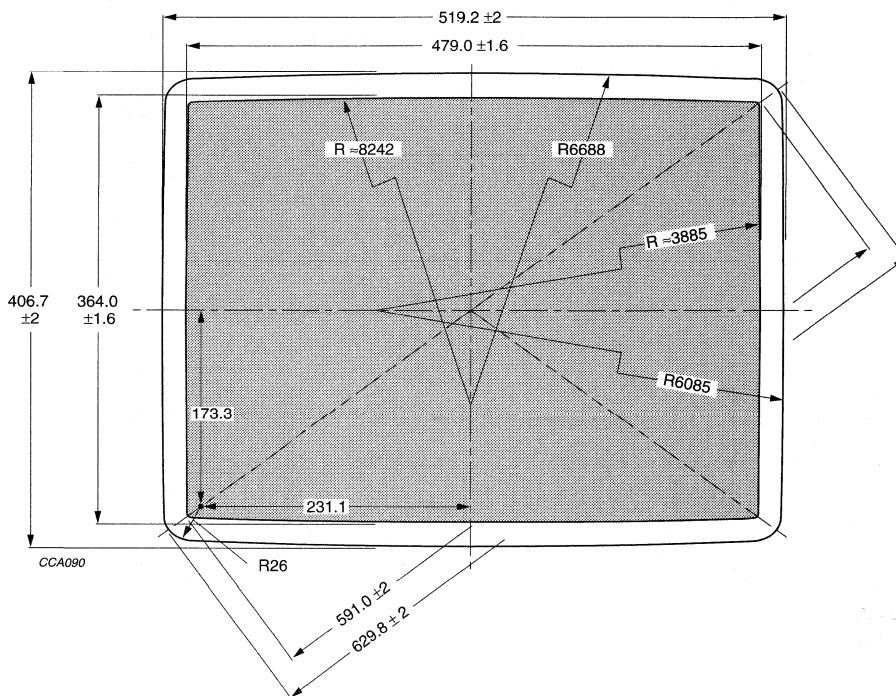


Dimensions in mm.
 (1) Location of fishplate.

Fig.4 Tube dimensions; front view.

'Black Standard' colour picture tube

A59EAK071X

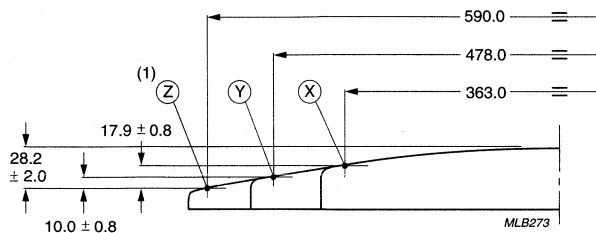


Dimensions in mm.

Fig.5 Phosphor and screen dimensions.

'Black Standard' colour picture tube

A59EAK071X



Dimensions in mm.

(1) Coordinates of Z-point: $X = 236$, $Y = 177$.

The X, Y and Z reference points are located on the outside surface of the face plate at the intersection of the minor, major and diagonal screen axis respectively.

The distance Z from any point on the screen to the centre can be calculated using the following formula:

$$R = \sqrt{X^2 + Y^2}$$

$$R1 = 1607.25$$

$$XB = XA - \frac{R2 \times XA}{R1}$$

$$R2 = 1416.39$$

$$XA = 150.4 \text{ (transition)}$$

$$ZA = R1 - \sqrt{R1^2 - XA^2}$$

$$ZB = R1 - R2 - ZC$$

$$ZC = \frac{(R1 - ZA) \times XB}{XA}$$

$$\text{If } R < XA \text{ then } Z = \frac{R1 - \sqrt{R1^2 - R^2}}{2}$$

$$\text{else } Z = ZB + R2 - \sqrt{R2^2 - (R - XB)^2}$$

Fig.6 Screen reference points.

'Black Standard' colour picture tube

A59EAK071X

Sagittal heights with reference to screen centre at edge of the nominal useful screen

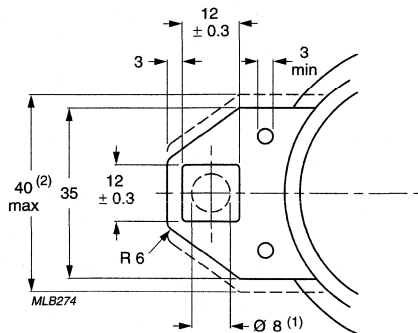
NOMINAL USEFUL SCREEN (NUS)			3 mm INSIDE NUS			10 mm OUTSIDE NUS		
COORDINATES		SAGITTAL HEIGHT (mm)	COORDINATES		SAGITTAL HEIGHT (mm)	COORDINATES		SAGITTAL HEIGHT (mm)
X (mm)	Y (mm)		X (mm)	Y (mm)		X (mm)	Y (mm)	
0.0 ⁽¹⁾	182.0	10.4	0.0	179.0	10.0	0.0	192.0	11.6
20.0	182.0	10.5	20.0	179.0	10.2	20.0	192.0	11.7
40.0	181.9	10.9	40.0	178.9	10.5	40.0	191.9	12.1
60.0	181.8	11.5	60.0	178.8	11.2	60.0	191.8	12.7
80.0	181.6	12.4	80.0	178.6	12.1	80.0	191.6	13.6
100.0	181.4	13.5	100.0	178.4	13.2	100.0	191.4	14.8
120.0	181.1	15.0	120.0	178.1	14.6	120.0	191.1	16.2
140.0	180.8	16.6	140.0	177.8	16.3	140.0	190.8	17.8
160.0	180.5	18.6	160.0	177.5	18.2	160.0	190.5	19.8
180.0	180.0	20.8	180.0	177.0	20.4	180.0	190.0	22.0
200.0	179.6	23.2	200.0	176.6	22.9	200.0	189.6	24.5
220.0	179.1	26.0	220.0	176.1	25.6	220.0	189.1	27.2
–	–	–	–	–	–	240.0	188.5	30.3
235.4 ⁽²⁾	178.6	28.3	232.5	175.7	27.5	244.9	188.4	31.1
–	–	–	–	–	–	245.3	180.0	30.1
236.2	160.0	26.3	233.2	160.0	25.8	246.2	160.0	27.9
237.0	140.0	24.4	234.0	140.0	23.9	247.0	140.0	26.1
237.7	120.0	22.8	234.6	120.0	22.3	247.7	120.0	24.4
238.2	100.0	21.4	235.2	100.0	20.9	248.2	100.0	23.0
238.7	80.0	20.3	235.7	80.0	19.8	248.7	80.0	21.9
239.0	60.0	19.4	236.0	60.0	18.9	249.0	60.0	21.0
239.3	40.0	18.8	236.3	40.0	18.3	249.3	40.0	20.4
239.5	20.0	18.4	236.5	20.0	17.9	249.5	20.0	20.0
239.5 ⁽³⁾	0.0	18.3	236.5	0.0	17.8	249.5	0.0	19.9

Notes

1. End of short axis.
2. End of diagonal axis.
3. End of long axis.

'Black Standard' colour picture tube

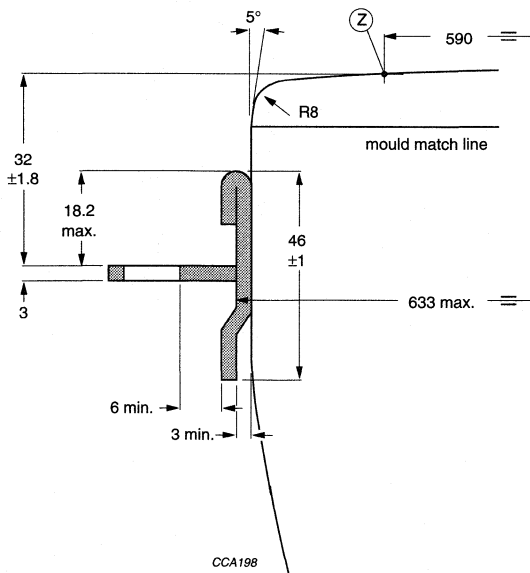
A59EAK071X



Dimensions in mm.

- (1) The position of the mounting screw in the cabinet must be within a circle of 8 mm diameter drawn around the true geometrical positions, i.e. the corners of a rectangle of 524.0 mm × 406.5 mm.
- (2) Minimum space to be reserved for mounting lug in cabinet.

Fig.7 Lug dimensions.



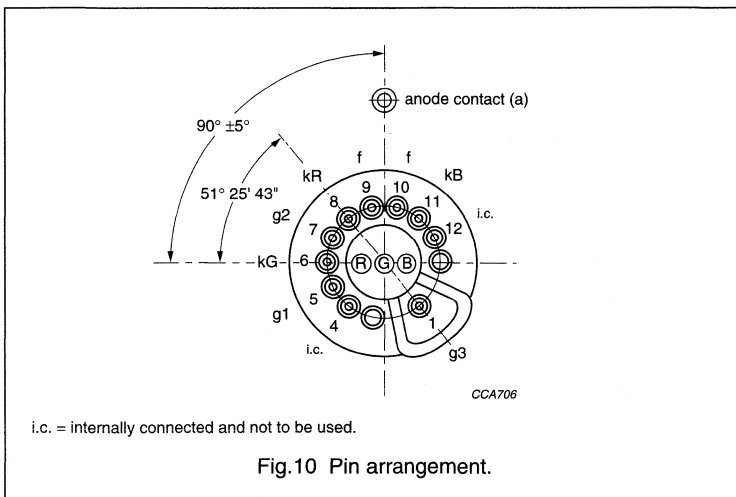
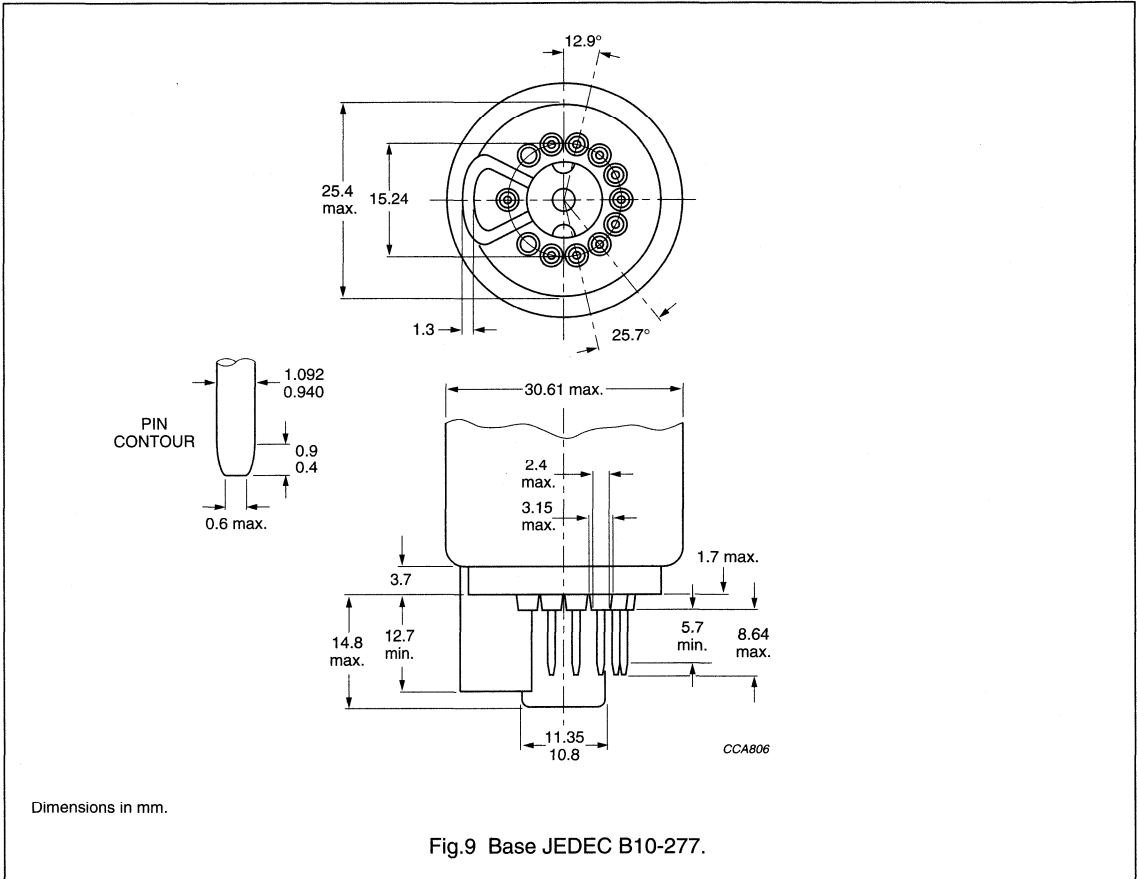
Dimensions in mm.

The displacement of any lug with respect to the plane through the three other lugs is max. 1.5 mm. This deviation is incorporated in the tolerance of ±1.8 mm.

Fig.8 Lug position.

'Black Standard' colour picture tube

A59EAK071X



Remarks: to Figs 9 and 10.

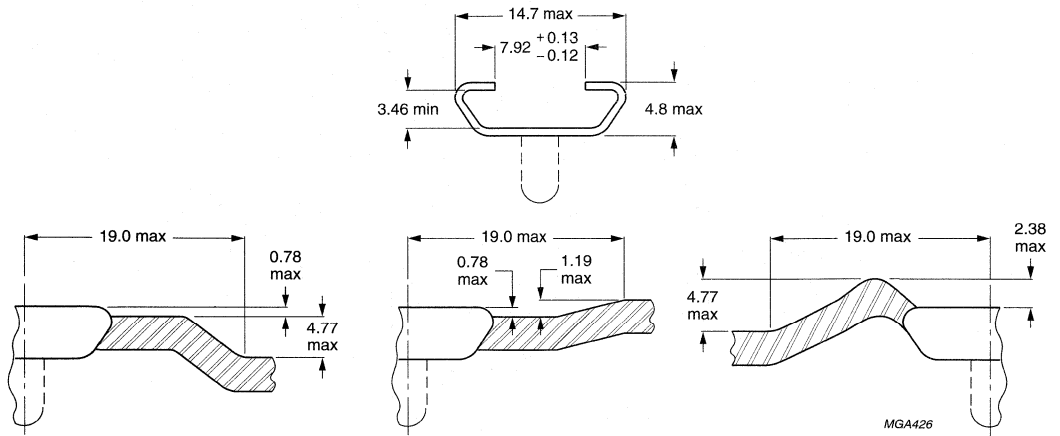
The socket for this base should not be rigidly mounted, it should have flexible leads and be allowed to move freely. After mounting the tube in the cabinet, note that the position of the base can fall within a circle, having a diameter of max. 55 mm concentric with an imaginary tube axis.

The mass of the mounting socket assembly should not exceed 150 g.

Maximum permissible torque on the tube neck is 0.04 Nm.

'Black Standard' colour picture tube

A59EAK071X



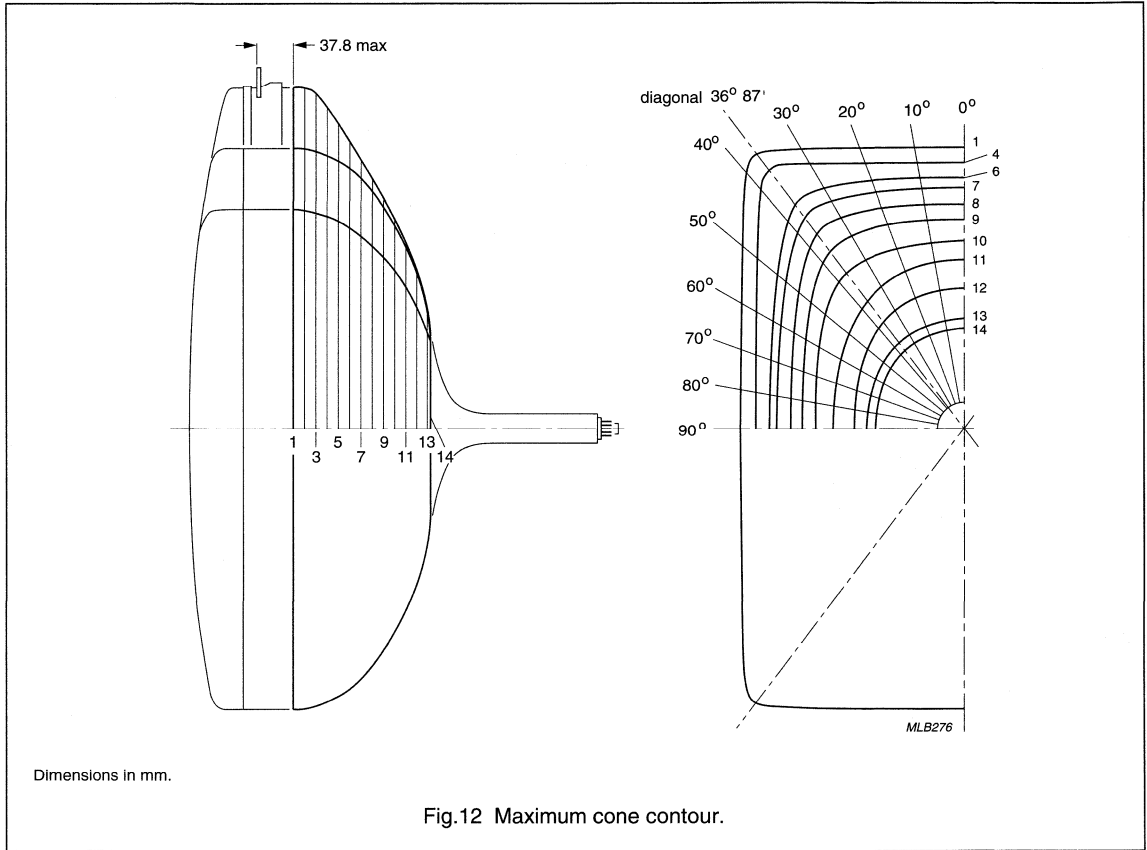
Dimensions in mm.

Fig.11 Cavity cap JEDEC J1-21, IEC 67-III-2.

'Black Standard' colour picture tube

A59EAK071X

Cone contour



'Black Standard' colour picture tube

A59EAK071X

Cone contour data

SECTION	NOMINAL DISTANCE FROM SECTION 1 (mm)	MAXIMUM DISTANCE FROM TUBE AXIS (mm)										
		0°	10°	20°	30°	36°87	40°	50°	60°	70°	80°	90°
1	0.0	258.5	262.4	274.5	296.9	314.4	308.5	261.6	232.4	214.7	205.2	202.1
2	10.0	257.1	260.9	272.9	295.0	311.7	305.4	258.8	230.0	212.5	203.0	200.0
3	20.0	254.8	258.5	270.2	291.8	304.7	298.9	254.6	226.4	209.2	199.9	196.9
4	30.0	250.9	254.5	265.6	285.9	293.0	287.8	248.1	221.0	204.5	195.5	192.6
5	40.0	245.1	248.4	258.6	276.0	277.4	272.8	239.2	213.8	198.2	189.7	187.0
6	50.0	237.0	239.9	248.9	261.4	260.1	255.9	228.3	205.0	190.6	182.7	180.1
7	60.0	225.8	228.2	235.7	243.8	241.1	237.5	215.0	194.2	181.2	174.0	171.7
8	70.0	210.7	212.7	218.7	223.5	220.4	217.1	199.1	181.1	169.6	163.1	161.1
9	80.0	191.7	193.1	197.6	200.3	197.3	194.6	180.2	165.0	155.2	149.7	147.9
10	90.0	170.1	170.8	173.0	173.9	171.1	168.8	157.5	145.7	137.8	133.4	131.9
11	100.0	145.8	145.6	145.3	144.3	141.6	139.8	131.6	123.4	117.9	114.8	113.7
12	110.0	115.3	114.7	113.2	110.7	108.5	107.3	102.8	99.1	96.5	95.0	94.4
13	120.0	75.4	75.4	75.3	75.2	75.2	75.2	75.1	75.0	75.0	74.9	74.9

HANDLING

During shipment and handling the tube should not be subjected to accelerations greater than 350 m/s² in any direction (at pulse ≤10 ms).

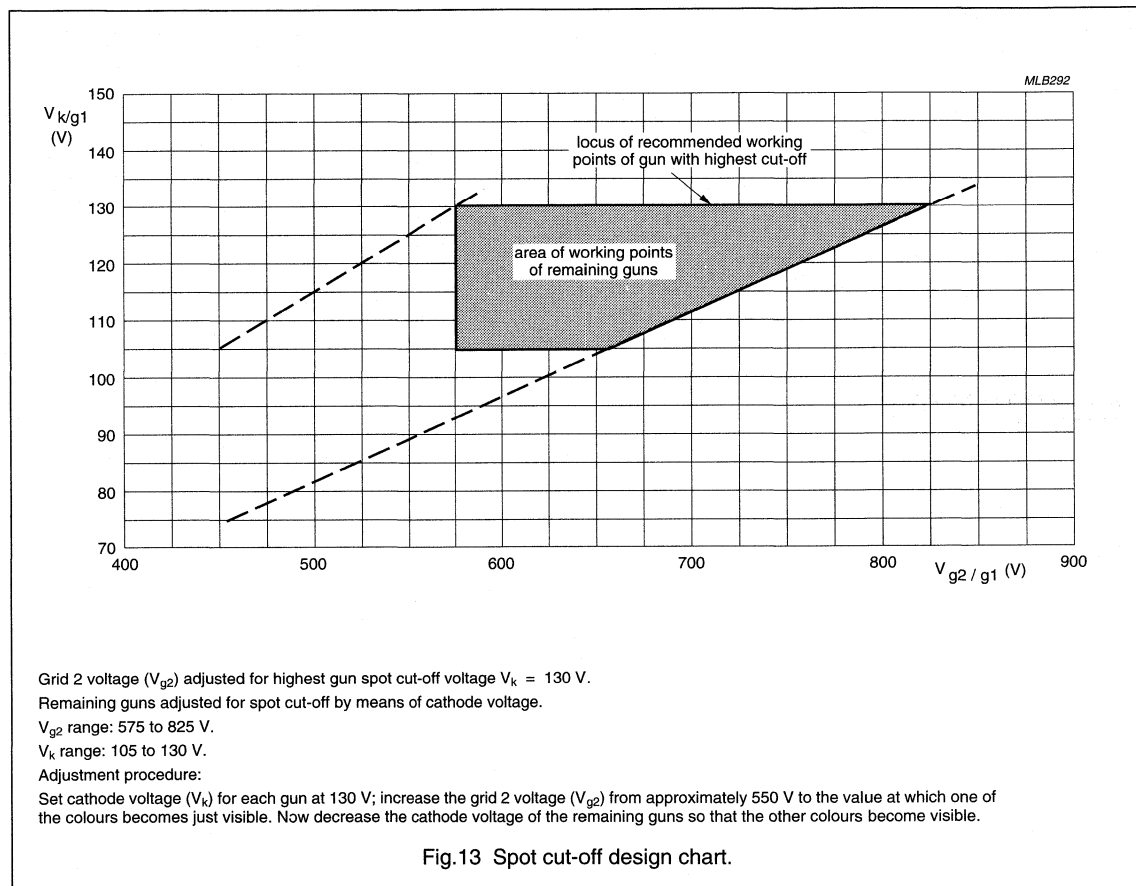
'Black Standard' colour picture tube

A59EAK071X

OPERATING DATA

The voltages are specified with respect to grid 1.

SYMBOL	PARAMETER	CONDITIONS	MIN.	TYP.	MAX.	UNIT
$V_{a,g4}$	anode voltage	tube operating at no load	–	25	–	kV
V_{g3}	grid 3 (focus electrode) voltage		7.25	–	8.25	kV
V_{g2}	grid 2 voltage	for spot cut-off voltage $V_k = 130$ V	575	–	825	V
V_f	heater voltage	tube operating	–	6.15	–	V



'Black Standard' colour picture tube

A59EAK071X

CHASSIS DESIGN VALUES

The values are valid for anode voltages between 20 and 27.5 kV. The voltages are specified with respect to grid 1.

SYMBOL	PARAMETER	CONDITIONS	MIN.	TYP.	MAX.	UNIT
V_{g3}	grid 3 (focus electrode) voltage as a percentage of anode voltage		29	–	33	%
V_{g2} and V_k	grid 2 voltage and cathode voltage	for visual extinction of focused spot	see Fig.13			
ΔV_k	difference in cut-off voltage between guns in any tube		lowest value >80% of highest value			
V_f	heater voltage	operating	–	6.15	–	V
	video drive characteristics		note 1 and Fig.14			
I_{g3}	grid 3 (focus electrode) current		–2	–	2	μA
I_{g2}	grid 2 current		–2	–	2	μA
I_{g1}	grid 1 current	under cut-off conditions	–2	–	2	μA
R_{ins}	insulation resistance	each cathode to grid 1 and heater	50	–	–	$\text{M}\Omega$
Anode currents to produce white of 6500 K + 7 MPCD (CIE coordinates: x = 0.313; y = 0.329)						
PERCENTAGE OF THE TOTAL ANODE CURRENT SUPPLIED BY EACH GUN (TYPICAL)						
	red gun		–	41.3	–	%
	green gun		–	34.4	–	%
	blue gun		–	24.3	–	%
RATIO OF ANODE CURRENTS						
	red gun to green gun		0.85	1.20	1.55	
	red gun to blue gun		1.20	1.70	2.20	
	blue gun to green gun		0.40	0.70	1.00	

Note

- For optimum picture performance it is recommended that the cathodes are not driven below +1 V with respect to grid 1.

'Black Standard' colour picture tube

A59EAK071X

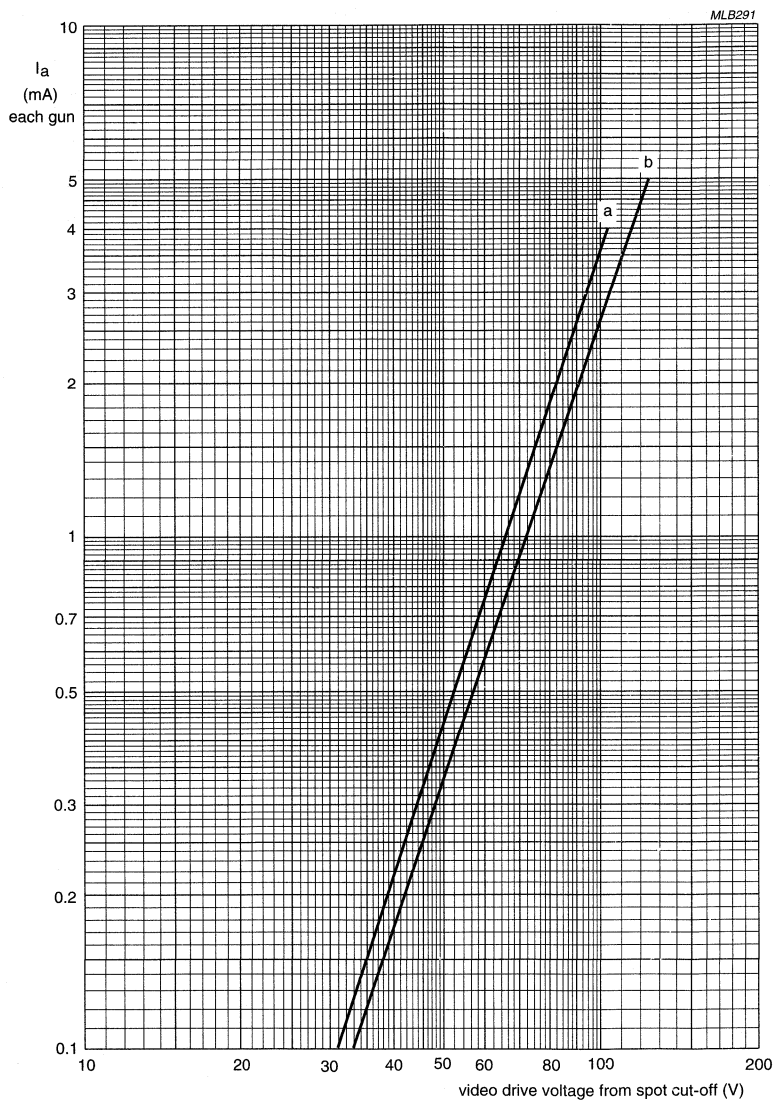
 $V_f = 6.15$ V. $V_{a,g4} = 25$ kV. V_{g3} adjusted for focus. V_{g2} (each gun) adjusted to provide spot cut-off for $V_k = 105$ V (curve a) and $V_k = 130$ V (curve b).

Fig.14 Typical cathode drive characteristics.

'Black Standard' colour picture tube

A59EAK071X

LIMITING VALUES

In accordance with the Absolute Maximum Rating System (IEC 134). The voltages are specified with respect to grid 1.

SYMBOL	PARAMETER	CONDITIONS	MIN.	MAX.	UNIT
V_a	anode voltage	note 1	20 ⁽²⁾	29.5 ⁽³⁾	kV
I_a	long-term average current for three guns	note 4	–	1000	μ A
V_{g3}	grid 3 (focus electrode) voltage	note 5	–	12	kV
V_{g2}	grid 2 voltage	note 6	–	1200	V
V_f	heater voltage	note 7	5.7	6.6 ⁽³⁾	V
Cathode voltage					
V_k	positive	operating	–	250	V
		during blanking	–	400	V
V_k	positive operating cut-off		–	200	V
V_k	negative		–	0	V
V_{kp}	negative peak		–	–2	V
Cathode to heater voltage					
V_{kf}	positive		–	250	V
V_{kfp}	positive peak		–	300	V
V_{kf}	negative		–	0	V
V_{kfp}	negative peak		–	–50	V
Circuit values					
R_{g3}	grid 3 circuit resistance		–	70	M Ω
R_{g2}	grid 2 circuit resistance		–	7	M Ω
R_{g1k}	grid 1 to cathode circuit resistance (each gun)		–	750	k Ω

Notes

1. During adjustment on the production line this value is likely to be surpassed considerably. It is therefore strongly recommended to first make the necessary adjustments for normal operation without the picture tube.
2. Operation of the tube at lower voltages impairs the luminance and resolution and may impair the convergence.
3. This value is an absolute maximum.
4. The short-term average anode current should be limited by circuitry to 1500 μ A.
5. During flashover conditions maximum 20 kV is permitted (see Chapter "Flashover protection").
6. During adjustment on the production line maximum 1500 V is permitted.
7. For maximum cathode life and optimum performance it is recommended that the heater supply is designed for 6.15 V at average beam current, for most applications this equals 6.3 V at zero beam current.

BEAM CENTRING

Maximum centring error in any direction is 4 mm.

'Black Standard' colour picture tube

A59EAK071X

FLASHOVER PROTECTION

The high voltages used with this tube (absolute max. 29.5 kV) may produce internal flashovers. Soft-flash technology limits these flashover currents to approximately 60 A offering higher reliability, optimum circuit protection and component savings.

Primary protective circuitry using properly grounded spark gaps and series isolation resistors (preferably carbon composition) is still necessary

to prevent tube damage. The spark gaps should be connected to all picture tube electrodes (except the tube heaters) at the tube socket in accordance with Fig.15. No other connections between the outer conductive coating and the chassis are permissible. The spark gaps should be designed for a maximum breakdown voltage at the focus electrode (g_3) of approximately 19 to 20 kV and at the other electrodes of 2 kV at the lowest operating atmospheric pressure.

The values of the series isolation resistors should be as high as possible (min. 0.5 k Ω) without causing deterioration of circuit performance. The resistors should be able to withstand an instantaneous surge of 20 kV for the focus circuit and 12 kV for the remaining circuits without arcing.

To guarantee the soft flash behaviour, the internal dynamic resistance of the tube during flashover is minimum 400 Ω and maximum 800 Ω .

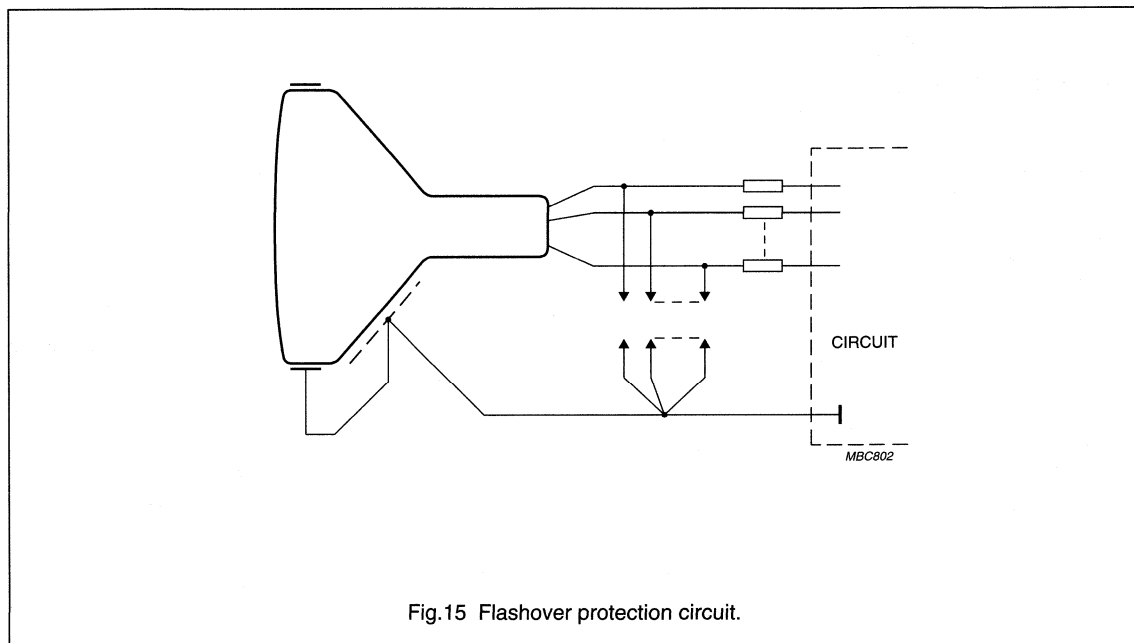


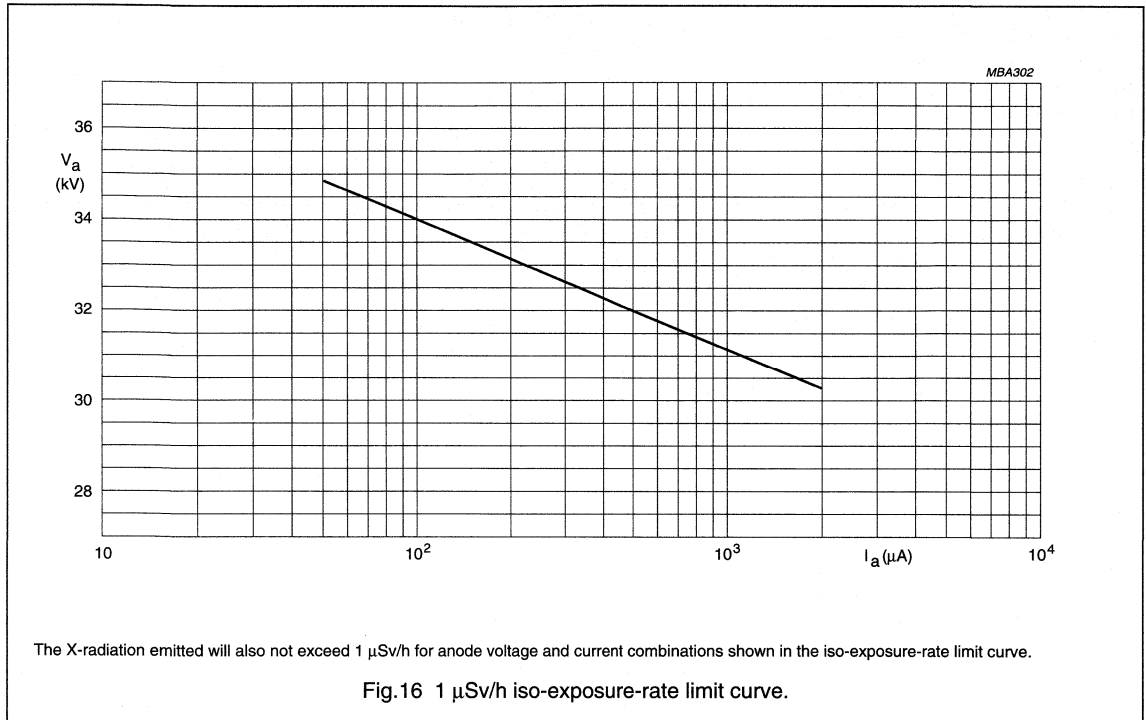
Fig.15 Flashover protection circuit.

'Black Standard' colour picture tube

A59EAK071X

X-RADIATION

The tube does not emit X-radiation above $1 \mu\text{Sv/h}$ when operated at 30 kV and 1.5 mA.



'Black Standard' colour picture tube

A59EAK071X

DEGAUSSING

The picture tube is provided with an internal magnetic shield. This shield and the shadow mask with its suspension system may be provided with an automatic degaussing system, consisting of one single coil mounted on the cone of the picture tube.

For proper degaussing an initial magnetomotive force (MMF) of 400 ampere-turns is required. This MMF has to be gradually decreased with a maximum of 25% per half period, using appropriate degaussing circuitry. In the steady state, no significant MMF should remain in the coil(s) (≤ 0.15 ampere-turns). Switch-off of the degaussing current is permitted at a peak MMF ≤ 4 ampere-turns.

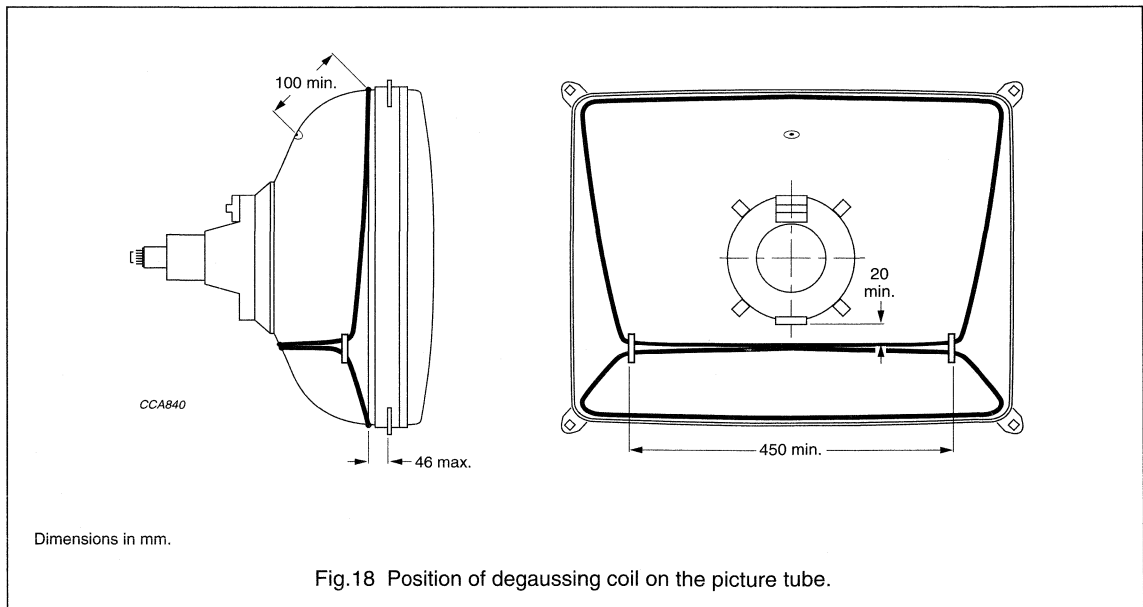
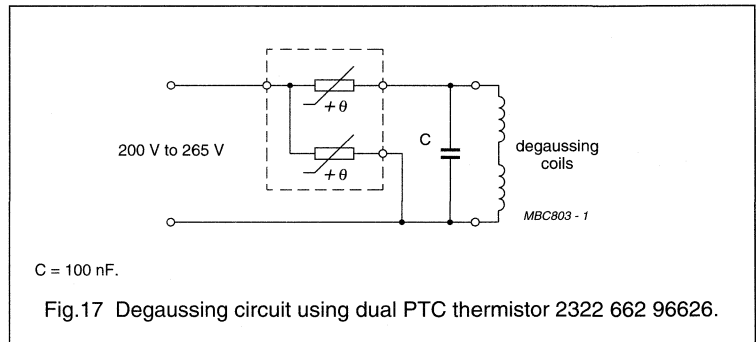
To prevent beam landing disturbances by line-frequency currents induced in the degaussing coils, these coils should be shunted by a capacitor of sufficiently high value.

If single-phase power rectification is employed in the TV circuitry, provision should be included to prevent asymmetric distortion of the AC voltage applied to the degaussing circuit due to high DC inrush currents.

An example of a degaussing circuit and coil data is given in Fig.17 and Table "Degaussing coil data".

Degaussing coil data

PARAMETER	TYP.	UNIT
Circumference	276	cm
Number of turns	70	
Copper wire diameter	0.4	mm
Resistance	27	Ω



**‘Black Standard’
colour picture tube assembly**

A59EAK071X01

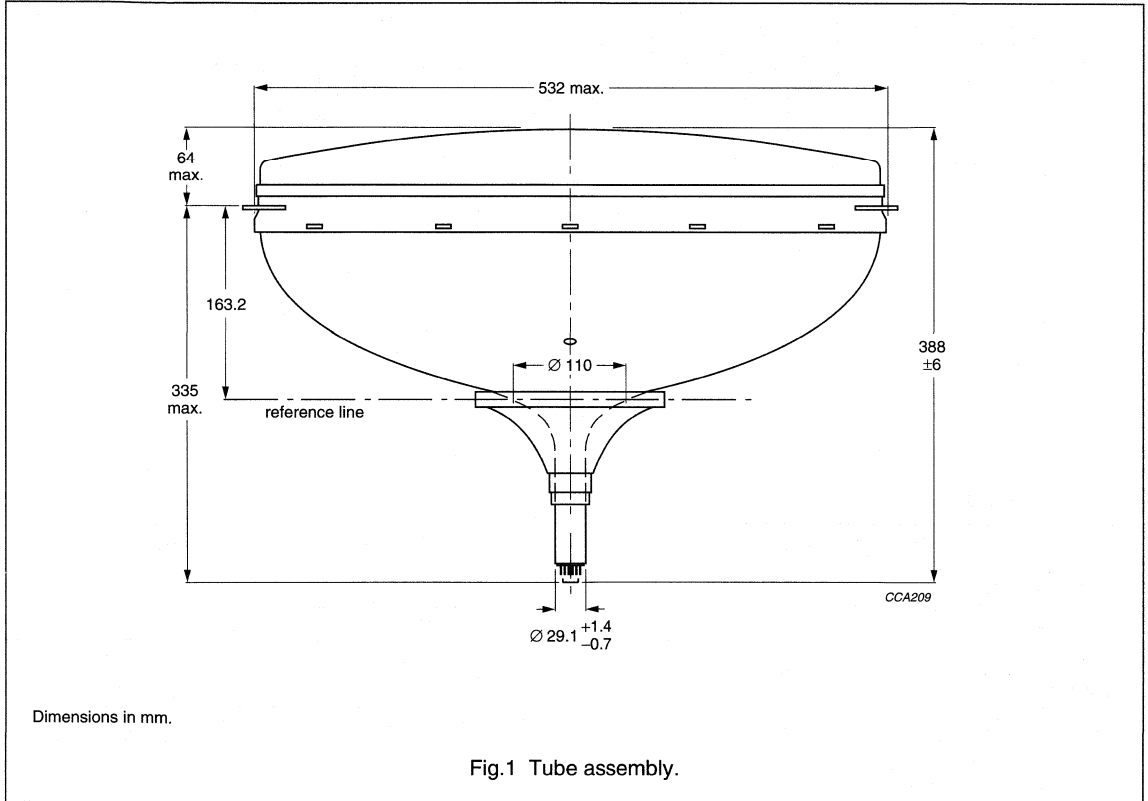
FEATURES

- Factory preset tube/coil assembly
- Self-converging and north-south raster correction free
- 59 cm, 110° colour picture tube A59EAK071X
- Double saddle deflection unit.

QUICK REFERENCE DATA

PARAMETER	TYP.	UNIT
Deflection angle	110	deg
Minimum useful screen diagonal	59	cm
Overall length	39	cm
Neck diameter	29.1	mm
Anode voltage	25	kV

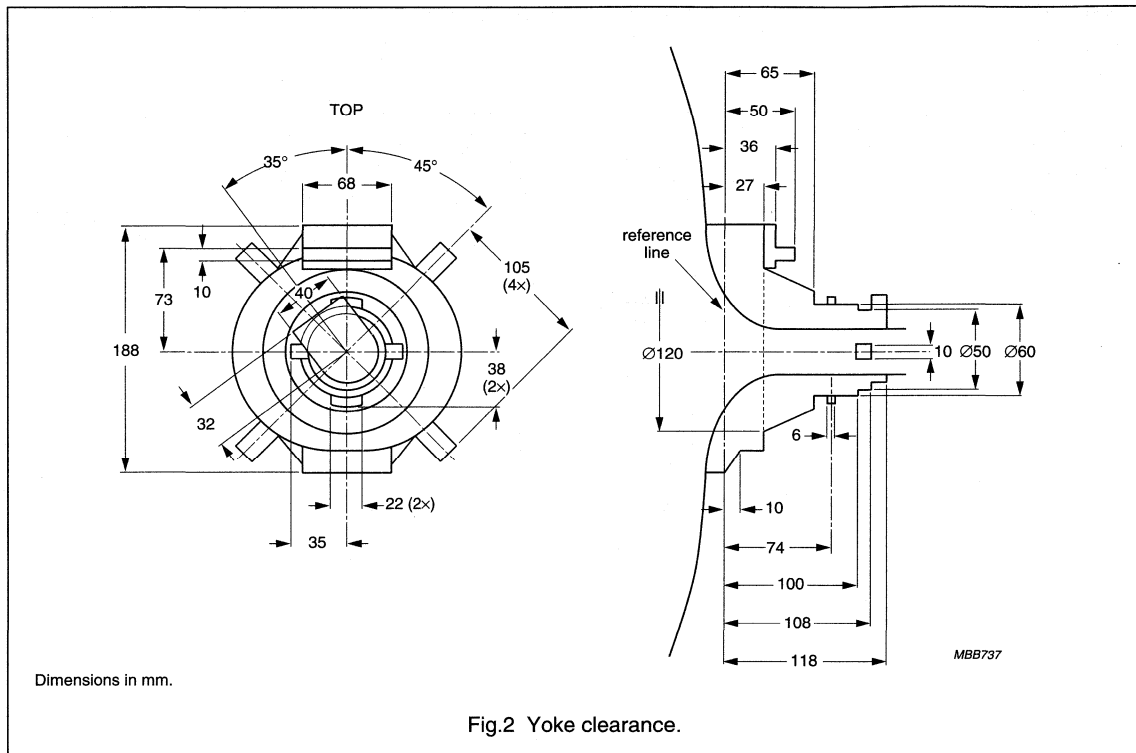
MECHANICAL DATA



Black Standard

'Black Standard'
colour picture tube assembly

A59EAK071X01

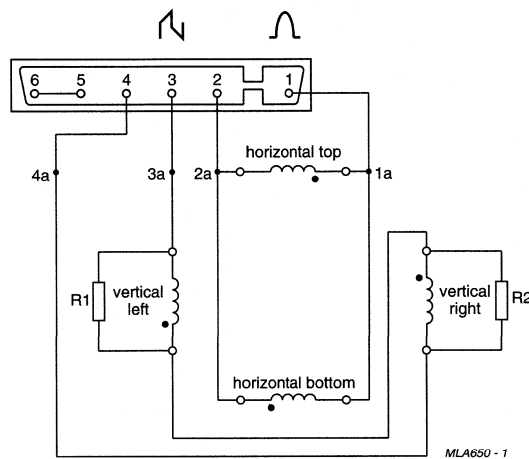
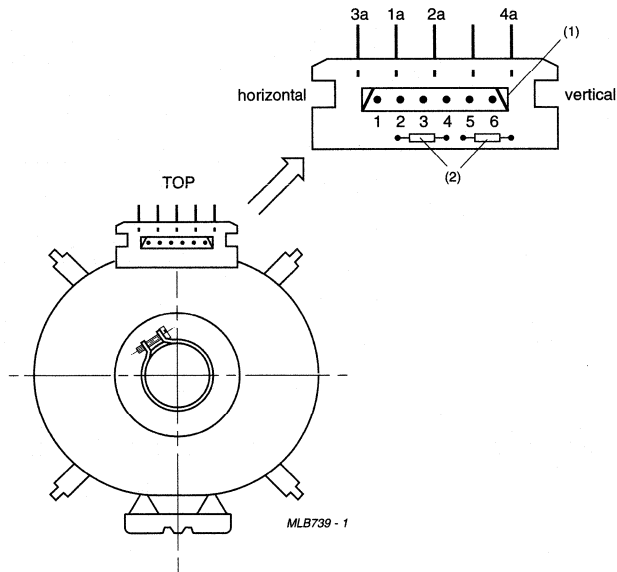


DEFLECTION COIL DATA

PARAMETER	CONDITIONS	VALUE	UNIT
Horizontal coils, parallel connected			
Inductance	1 V (RMS); 1 kHz	1.85	mH
Resistance	$T_{amb} = 25\text{ }^{\circ}\text{C}$	1.8	Ω
Magnetic flux	$V_a = 25\text{ kV}$	$7.6 \pm 5\%$	mWb
Horizontal deflection current (peak-to-peak value)	edge-to-edge; $V_a = 25\text{ kV}$	4.10	A
Vertical coils, series connected			
Inductance	1 V (RMS); 1 kHz	11.1	mH
Resistance	$T_{amb} = 25\text{ }^{\circ}\text{C}$	6.3	Ω
Vertical deflection current (peak-to-peak value)	edge-to-edge; $V_a = 25\text{ kV}$	1.65	A

'Black Standard'
colour picture tube assembly

A59EAK071X01



The beginning of the windings is indicated with •

- (1) Main connector: Stocko series MKS 2820; matching socket connector Stocko series MKF 2800.
- (2) $R1 = R2 = 100 \Omega, 0.25 \text{ W}$.

Fig.3 Deflection coil connections

'Black Standard'
colour picture tube assembly

A59EAK071X11

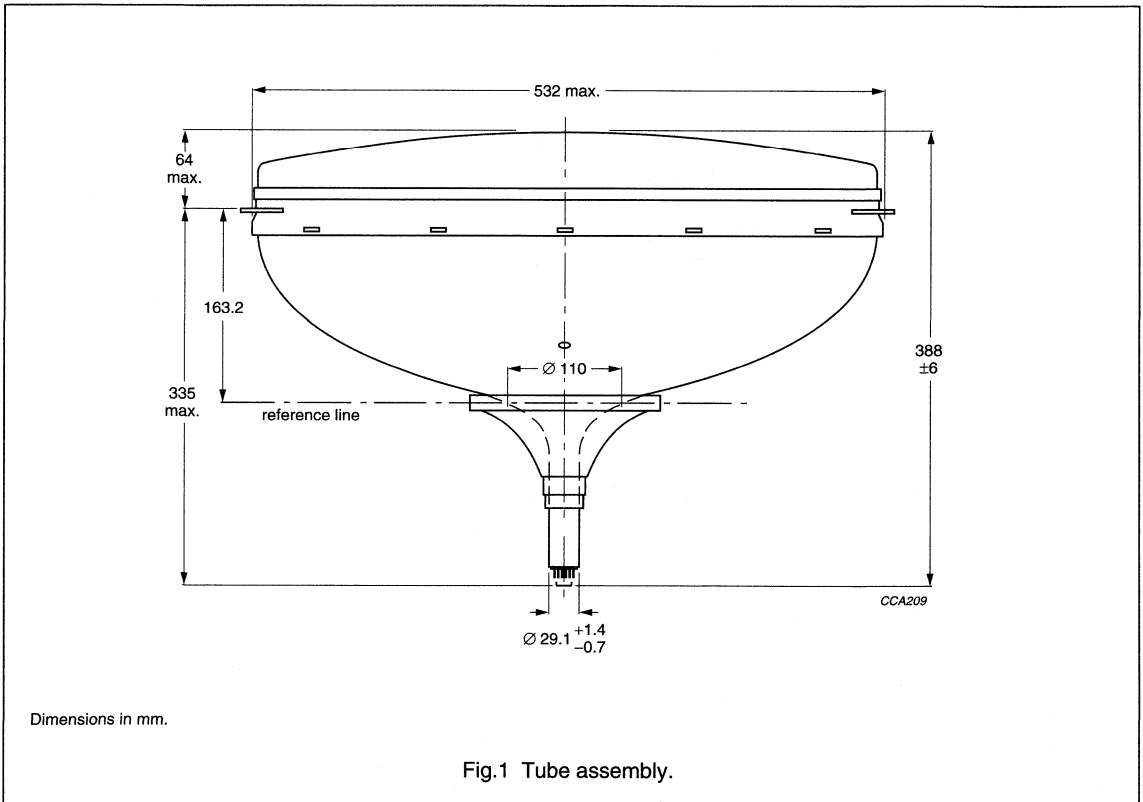
FEATURES

- Factory preset tube/coil assembly
- Self-converging and north-south raster correction free
- 59 cm, 110° colour picture tube A59EAK071X
- Double saddle deflection unit.

QUICK REFERENCE DATA

PARAMETER	TYP.	UNIT
Deflection angle	110	deg
Minimum useful screen diagonal	59	cm
Overall length	39	cm
Neck diameter	29.1	mm
Anode voltage	25	kV

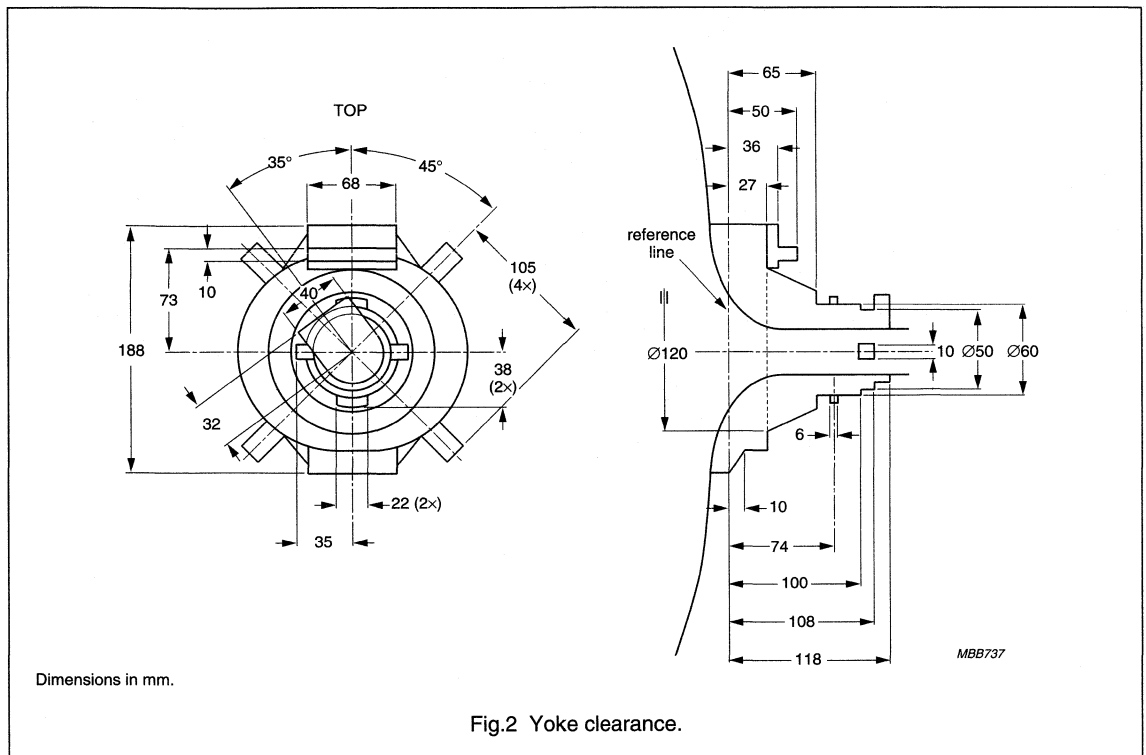
MECHANICAL DATA



Black Standard

'Black Standard'
colour picture tube assembly

A59EAK071X11

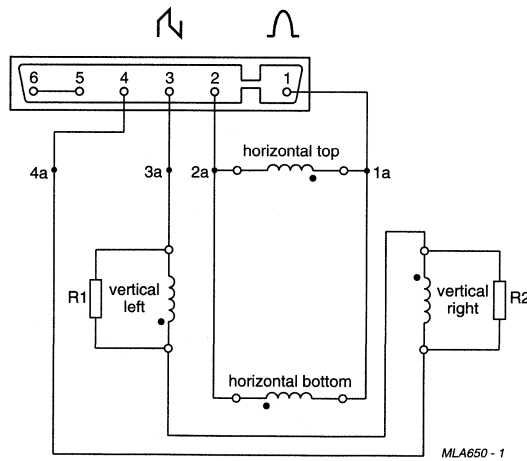
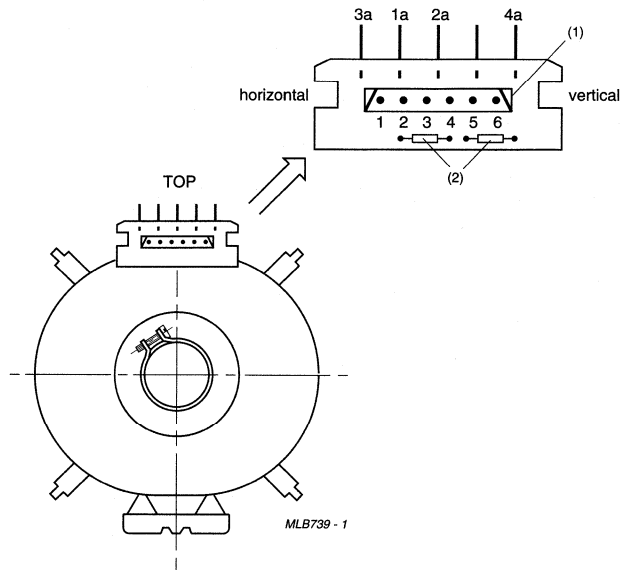


DEFLECTION COIL DATA

PARAMETER	CONDITIONS	VALUE	UNIT
Horizontal coils, parallel connected			
Inductance	1 V (RMS); 1 kHz	1.58	mH
Resistance	T _{amb} = 25 °C	1.6	Ω
Magnetic flux	V _a = 25 kV	7.1 ±5%	mWb
Horizontal deflection current (peak-to-peak value)	edge-to-edge; V _a = 25 kV	4.48	A
Vertical coils, series connected			
Inductance	1 V (RMS); 1 kHz	8.60	mH
Resistance	T _{amb} = 25 °C	5.0	Ω
Vertical deflection current (peak-to-peak value)	edge-to-edge; V _a = 25 kV	1.94	A

'Black Standard'
colour picture tube assembly

A59EAK071X11



The beginning of the windings is indicated with •

(1) Main connector: Stocko series MKS 2820; matching socket connector Stocko series MKF 2800.

(2) R1 = R2 = 100 Ω, 0.25 W.

Fig.3 Deflection coil connections

'Black Standard' colour picture tube assembly

A59EAK071X21

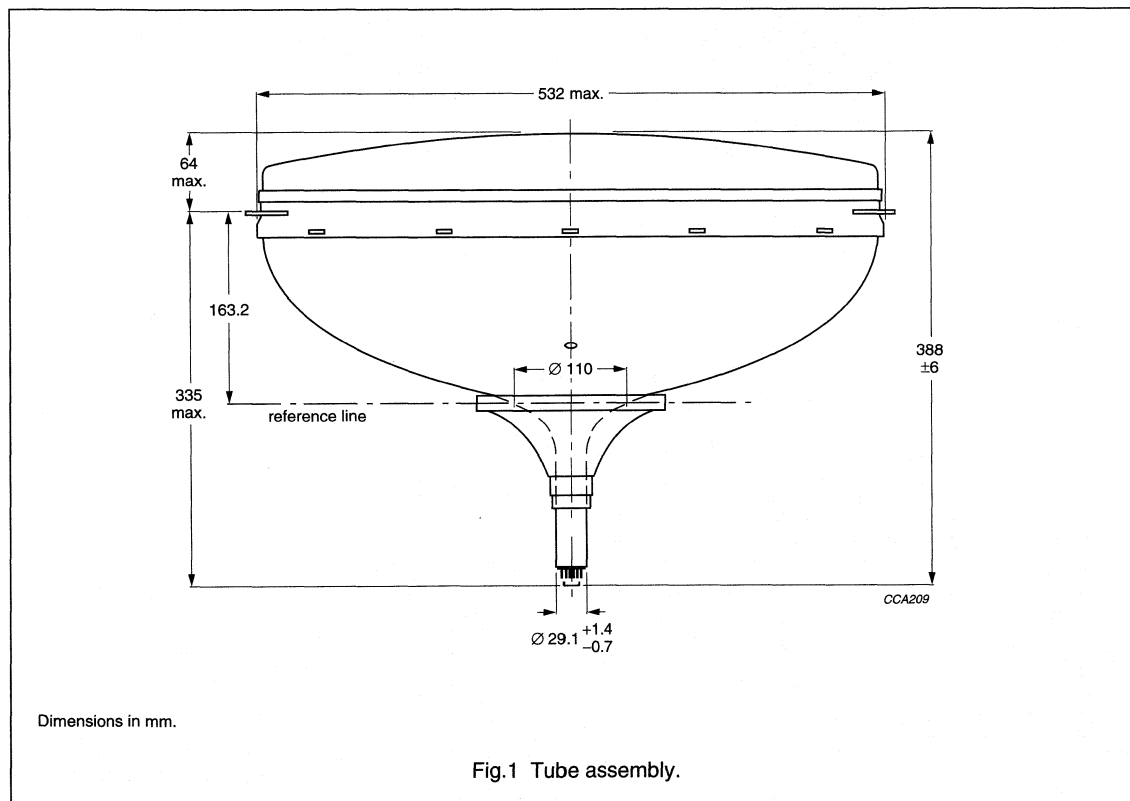
FEATURES

- Factory preset tube/coil assembly
- Self-converging and north-south raster correction free
- 59 cm, 110° colour picture tube A59EAK071X
- Double saddle deflection unit
- Scan Velocity Modulation (SVM) for improved picture sharpness.

QUICK REFERENCE DATA

PARAMETER	TYP.	UNIT
Deflection angle	110	deg
Minimum useful screen diagonal	59	cm
Overall length	39	cm
Neck diameter	29.1	mm
Anode voltage	25	kV

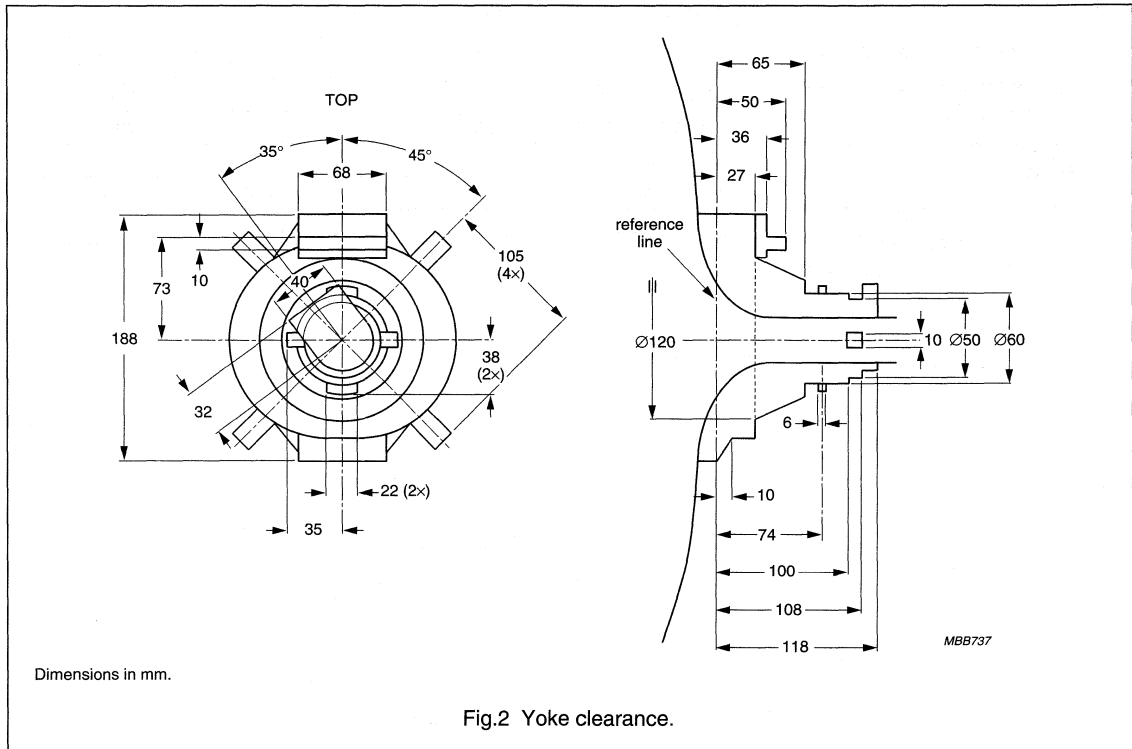
MECHANICAL DATA



Black Standard

'Black Standard'
colour picture tube assembly

A59EAK071X21

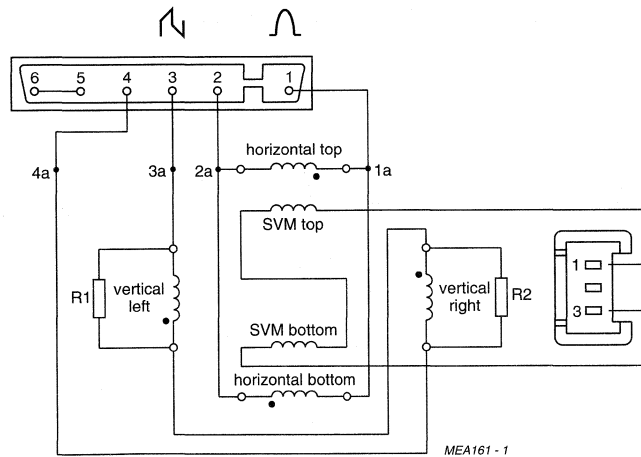
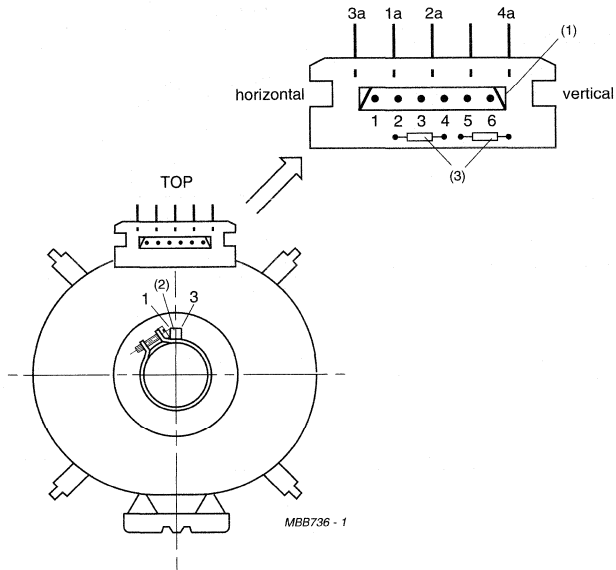


DEFLECTION COIL DATA

PARAMETER	CONDITIONS	VALUE	UNIT
Horizontal coils, parallel connected			
Inductance	1 V (RMS); 1 kHz	1.58	mH
Resistance	$T_{amb} = 25\text{ }^{\circ}\text{C}$	1.64	Ω
Magnetic flux	$V_a = 25\text{ kV}$	$7.10 \pm 5\%$	mWb
Horizontal deflection current (peak-to-peak value)	edge-to-edge; $V_a = 25\text{ kV}$	4.48	A
Vertical coils, series connected			
Inductance	1 V (RMS); 1 kHz	8.60	mH
Resistance	$T_{amb} = 25\text{ }^{\circ}\text{C}$	5.0	Ω
Vertical deflection current (peak-to-peak value)	edge-to-edge; $V_a = 25\text{ kV}$	1.94	A
SVM coils			
Inductance	1 V (RMS); 1 kHz	4.2	μH
Resistance	$T_{amb} = 25\text{ }^{\circ}\text{C}$	1.6	Ω
Sensitivity in X-direction	at screen centre	1.9	mm/A

'Black Standard'
colour picture tube assembly

A59EAK071X21



The beginning of the windings is indicated with •

- (1) Main connector: Stocko series MKS 2820; matching socket connector Stocko series MKF 2800.
- (2) SVM connector: Stocko system RFK 1 (MKS series); matching connector MKF17033, MKF17330 or MKF17360 series.
- (3) $R1 = R2 = 100 \Omega, 0.25 \text{ W}$.

Fig.3 Deflection coil connections.

'Black Standard' colour picture tube assembly

A59EAK071X44

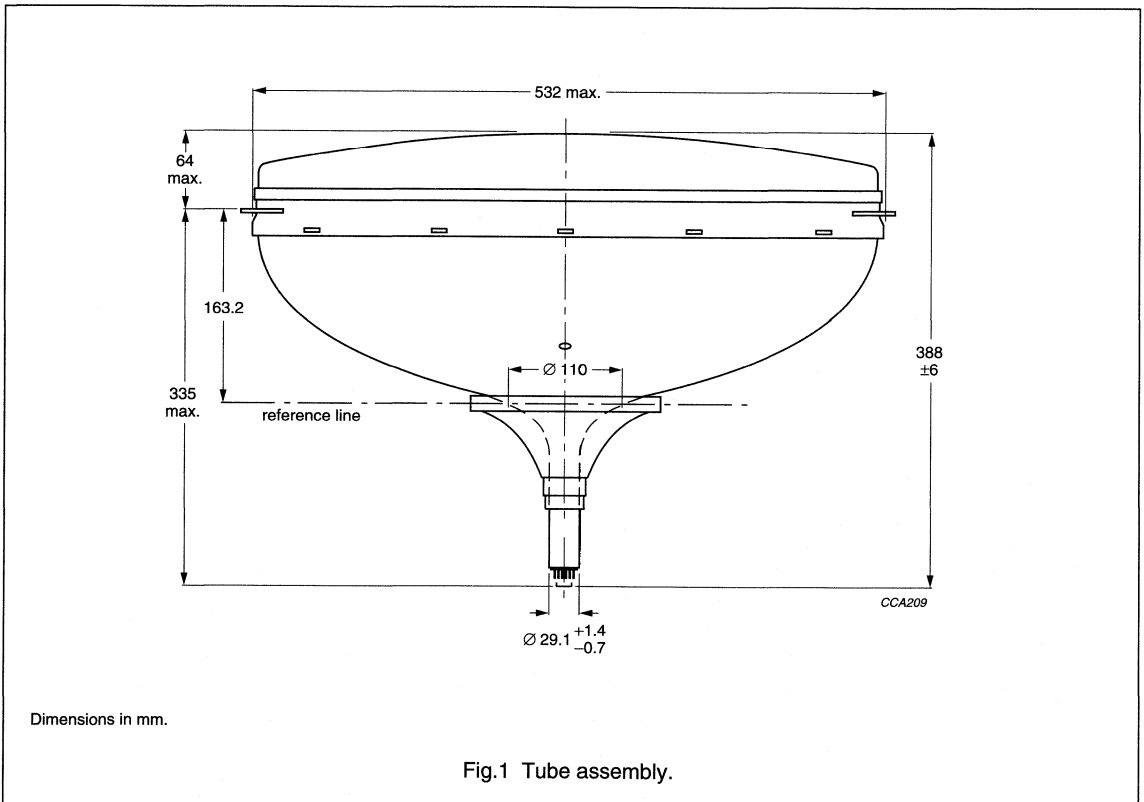
FEATURES

- 100 Hz vertical repetition
- Factory preset tube/coil assembly
- Self-converging and north-south raster correction free
- 59 cm, 110° colour picture tube A59EAK071X
- Double saddle deflection unit.

QUICK REFERENCE DATA

PARAMETER	TYP.	UNIT
Deflection angle	110	deg
Minimum useful screen diagonal	59	cm
Overall length	39	cm
Neck diameter	29.1	mm
Anode voltage	25	kV

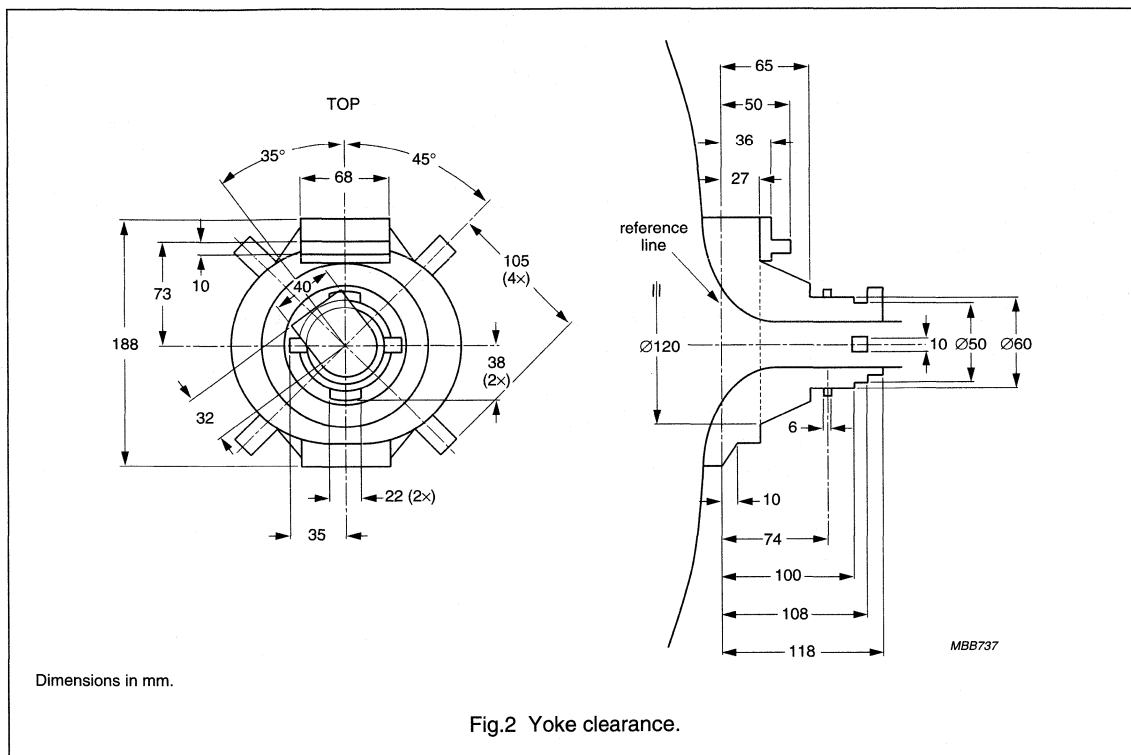
MECHANICAL DATA



Black Standard

'Black Standard'
colour picture tube assembly

A59EAK071X44

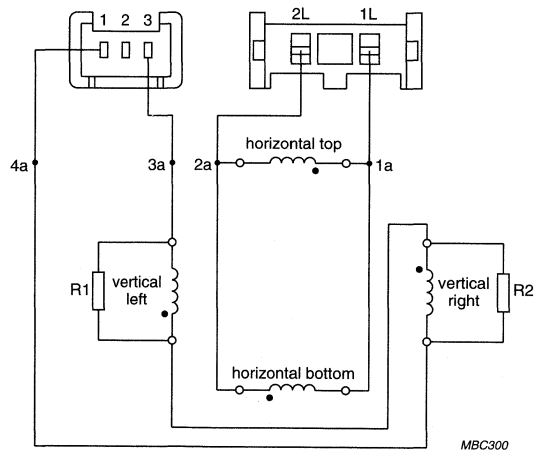
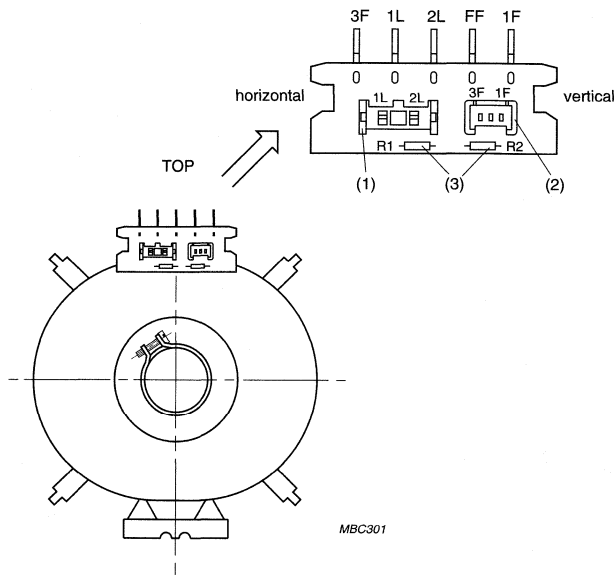


DEFLECTION COIL DATA

PARAMETER	CONDITIONS	VALUE	UNIT
Horizontal coils, parallel connected			
Inductance	1 V (RMS); 1 kHz	0.38	mH
Resistance	T _{amb} = 25 °C	0.36	Ω
Magnetic flux	V _a = 25 kV	3.53 ±5%	mWb
Horizontal deflection current (peak-to-peak value)	edge-to-edge; V _a = 25 kV	9.15	A
Vertical coils, series connected			
Inductance	1 V (RMS); 1 kHz	6.20	mH
Resistance	T _{amb} = 25 °C	3.50	Ω
Vertical deflection current (peak-to-peak value)	edge-to-edge; V _a = 25 kV	2.19	A

'Black Standard' colour picture tube assembly

A59EAK071X44



The beginning of the windings is indicated with •

- (1) Horizontal connector: AMP Ultrex connection system; connector 2-173270-2; matching connector 2-173268-2.
- (2) Vertical connector: Stocko system RFK1 (MKS series); matching connector MKF17033, MKF17330 or MKF17360 series.
- (3) $R1 = R2 = 100 \Omega, 0.25 \text{ W}$.

Fig.3 Deflection coil connections.

'Black Standard'
colour picture tube assembly

A59EAK071X54

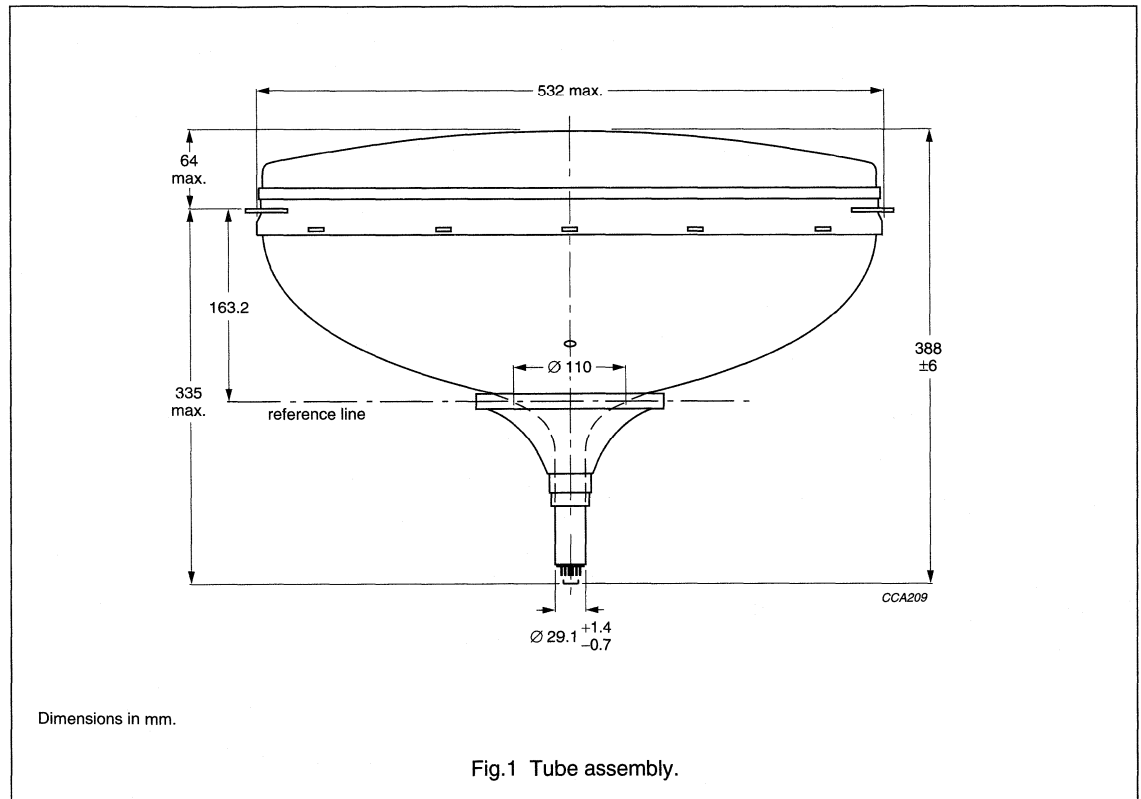
FEATURES

- 100 Hz vertical repetition
- Factory preset tube/coil assembly
- Self-converging and north-south raster correction free
- 59 cm, 110° colour picture tube A59EAK071X
- Double saddle deflection unit
- Scan Velocity Modulation (SVM) for improved picture sharpness.

QUICK REFERENCE DATA

PARAMETER	TYP.	UNIT
Deflection angle	110	deg
Minimum useful screen diagonal	59	cm
Overall length	39	cm
Neck diameter	29.1	mm
Anode voltage	25	kV

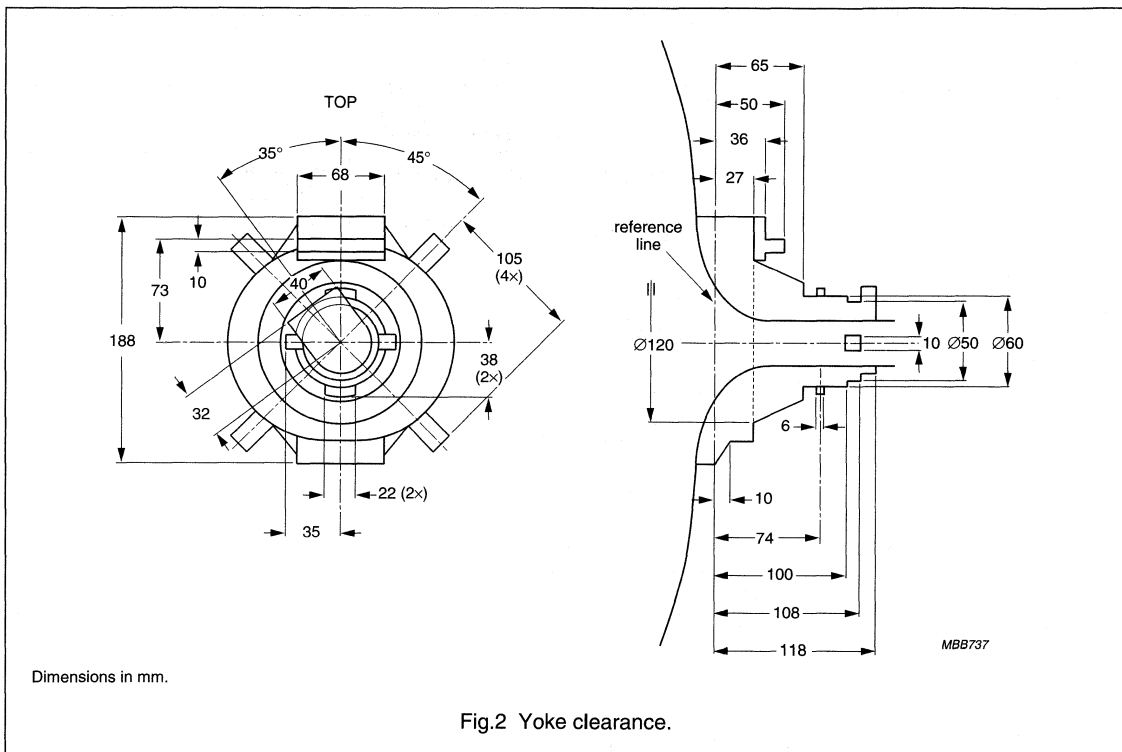
MECHANICAL DATA



Black Standard

'Black Standard'
colour picture tube assembly

A59EAK071X54

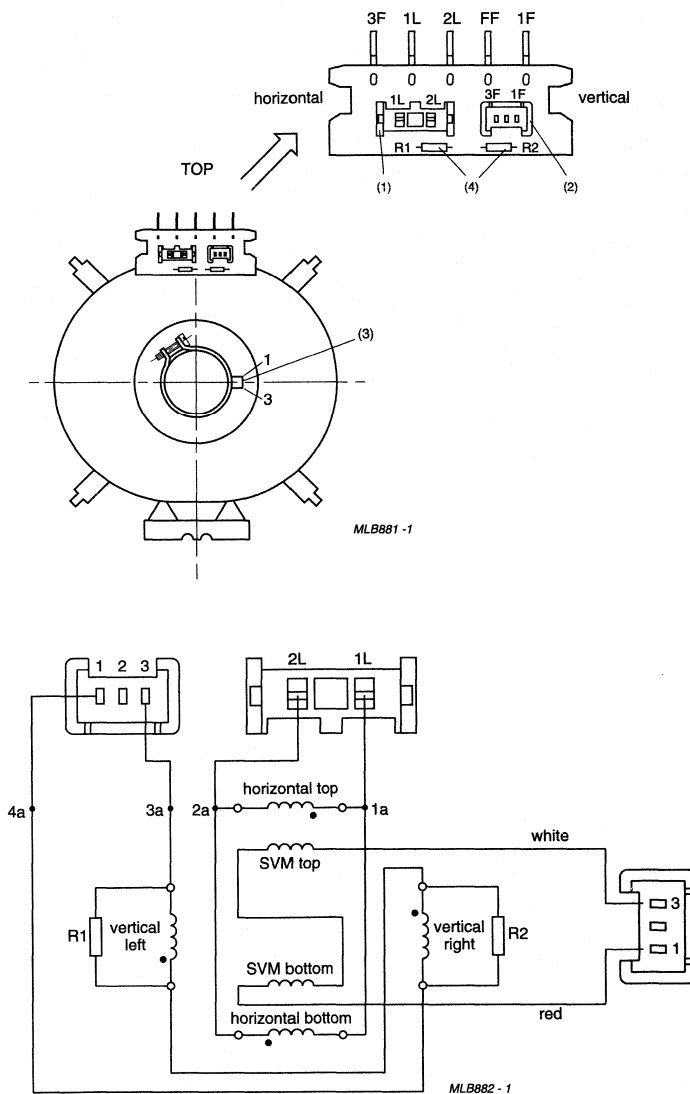


DEFLECTION COIL DATA

PARAMETER	CONDITIONS	VALUE	UNIT
Horizontal coils, parallel connected			
Inductance	1 V (RMS); 1 kHz	0.38	mH
Resistance	$T_{amb} = 25\text{ }^{\circ}\text{C}$	0.36	Ω
Magnetic flux	$V_a = 25\text{ kV}$	$3.53 \pm 5\%$	mWb
Horizontal deflection current (peak-to-peak value)	edge-to-edge; $V_a = 25\text{ kV}$	9.15	A
Vertical coils, series connected			
Inductance	1 V (RMS); 1 kHz	6.20	mH
Resistance	$T_{amb} = 25\text{ }^{\circ}\text{C}$	3.50	Ω
Vertical deflection current (peak-to-peak value)	edge-to-edge; $V_a = 25\text{ kV}$	2.19	A
SVM coils			
Inductance	1 V (RMS); 1 kHz	4.2	μH
Resistance	$T_{amb} = 25\text{ }^{\circ}\text{C}$	1.6	Ω
Sensitivity in X-direction	at screen centre	1.9	mm/A

'Black Standard'
colour picture tube assembly

A59EAK071X54



The beginning of the windings is indicated with •

- (1) Horizontal connector: AMP Ultrex connection system; connector 2-173270-2; matching connector 2-173268-2.
- (2) Vertical connector: Stocko system RFK1 (MKS series); matching connector MKF17033, MKF17330 or MKF17360 series.
- (3) SVM connector: Stocko system RFK1 (MKS series); matching connector MKF17033, MKF17330 or MKF17360 series.
- (4) $R1 = R2 = 100 \Omega, 0.25 \text{ W}$.

Fig.3 Deflection coil connections.

FS 'Black Line S' colour picture tube

A59EAK552X

FEATURES

- 'Flatter' and 'squarer' screen
- In-line, hi-bi potential ART (Aberration Reducing Triode) gun with quadropole cathode lens
- INVAR mask with corner suspension
- BLACK MATRIX technology
- Improved BLACK LEVEL
- HIGH GLOSS screen finish
- Low transmission screen
- Cd-free phosphors
 - Pigmented deep red
 - Sulphide green
 - Pigmented sulphide blue
- Quick-heating low-power cathodes
- Slotted shadow mask optimized for minimum moiré at 525 and 625 lines systems
- Internal magnetic shield
- Internal multipole.

QUICK REFERENCE DATA

PARAMETER	TYP.	UNIT
Deflection angle	110	deg
Useful screen diagonal	59	cm
Overall length	39	cm
Glass transmission	41	%
Neck diameter	29.1	mm
Heater voltage	6.15	V
Heater current	315	mA
Anode voltage	27.5	kV
Focus voltage	31% of anode voltage	

Black Line S

FS 'Black Line S'

colour picture tube

A59EAK552X

ELECTRICAL DATA

SYMBOL	PARAMETER	MIN.	TYP.	UNIT
Capacitances				
$C_{a(m+m')}$	anode to external conductive coating, including rimband	1800	–	pF
$C_{am'}$	anode to metal rimband	–	300	pF
C_k	cathodes of all guns (connected in parallel) to all other electrodes	–	15	pF
C_{kR}, C_{kG}, C_{kB}	cathode of any gun to all other electrodes	–	5	pF
C_{g1}	grid 1 to all other electrodes	–	17	pF
C_{g2}	grid 2 to all other electrodes	–	4.5	pF
C_{g3}	grid 3 (focusing electrode) to all other electrodes	–	6	pF
Heating				
V_f	heater voltage at average beam current: indirect AC (preferably mains or horizontal frequency) or DC	–	6.15	V
I_f	heater current	–	315	mA
Resistance				
R_{rim}	resistance between rimband and external conductive coating	50	–	MΩ

ELECTRO-OPTICAL DATA

PARAMETER	VALUE
Electron gun system	unitized triple-aperture electrodes; aberration reducing triode
Focus method	electrostatic
Focus lens	hi-bi potential
Deflection method	magnetic
Deflection angles	
diagonal	110°
vertical	97°
horizontal	77°

FS 'Black Line S'

colour picture tube

A59EAK552X

OPTICAL DATA

PARAMETER	VALUE
Matrix	black opaque material, PVP technology
Screen	metal-backed vertical phosphor stripes
Screen finish	high gloss
Nominal useful screen dimensions	
diagonal axis	591.2 mm
vertical axis	363.3 mm
horizontal axis	479.7 mm
area	1 743 cm ²
Phosphor alignment	see Fig.1
Phosphors	
red	pigmented europium activated rare earth
green	Cd-free sulphide type
blue	pigmented sulphide type
Persistence	medium short
Centre-to-centre distance of identical colour phosphor stripes at centre of screen	≈0.8 mm
Light transmission of face glass at centre of screen	41%
Luminance at centre of screen; note 1	72 cd/m ²

Note

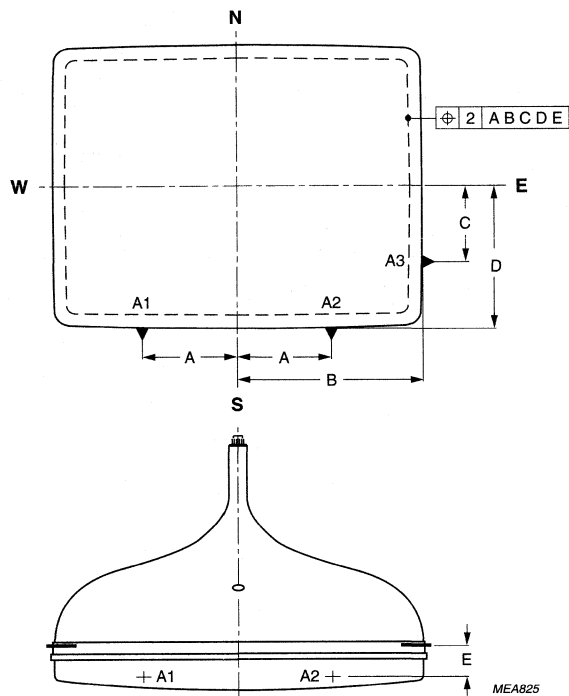
1. Tube settings adjusted to produce white D ($x = 0.313$, $y = 0.329$), focused raster, current density $0.4 \mu\text{A}/\text{cm}^2$, $V_a = 27.5 \text{ kV}$.

Colour coordinates

COLOUR	x	y
Red	0.630	0.330
Green	0.295	0.595
Blue	0.155	0.065

FS 'Black Line S' colour picture tube

A59EAK552X



A = 180.3 mm.
 B = 257.8 mm.
 C = 123.0 mm.
 D = 200.3 mm.
 E = 26.1 mm.

Fig.1 Phosphor alignment.

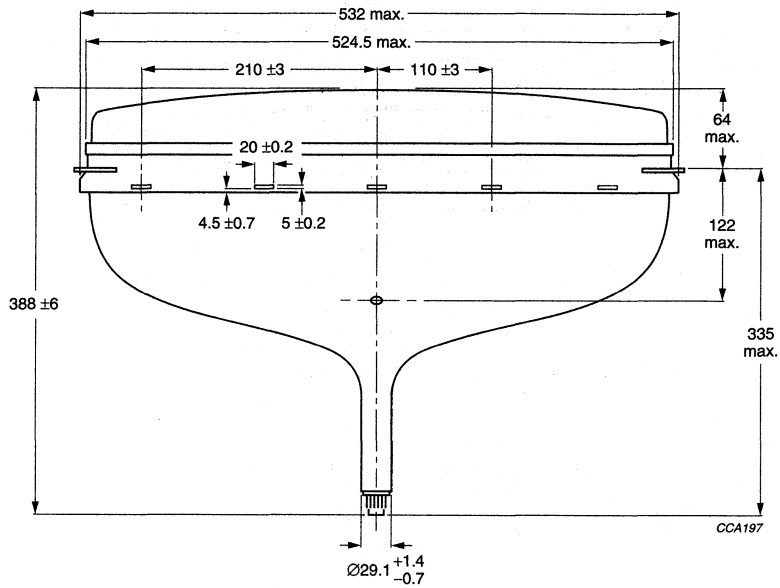
MECHANICAL DATA

See Figs 2 to 12.

PARAMETER	VALUE
Base	Base JEDEC B10-277
Anode contact	small cavity contact JEDEC J1-21; IEC 67-III-2
Mounting position	anode contact on top
Implosion protection	shrunk-on rimband
Mass including deflection unit	≈19 kg

FS 'Black Line S'
colour picture tube

A59EAK552X

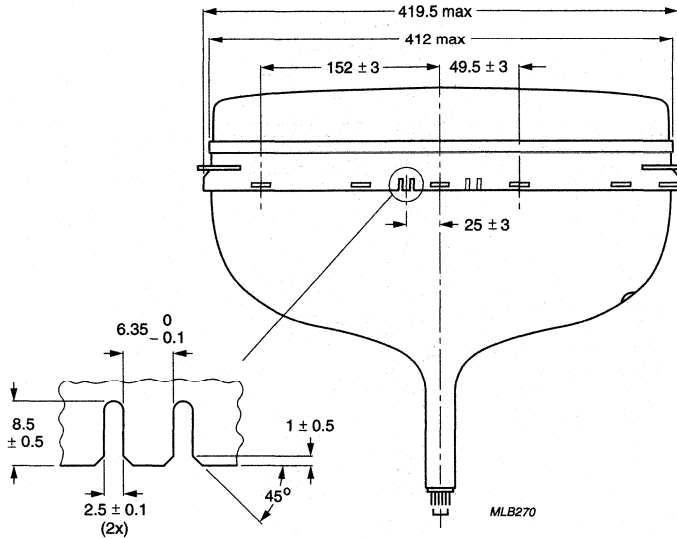


Dimensions in mm.

Fig.2 Tube dimensions; top view.

FS 'Black Line S'
colour picture tube

A59EAK552X

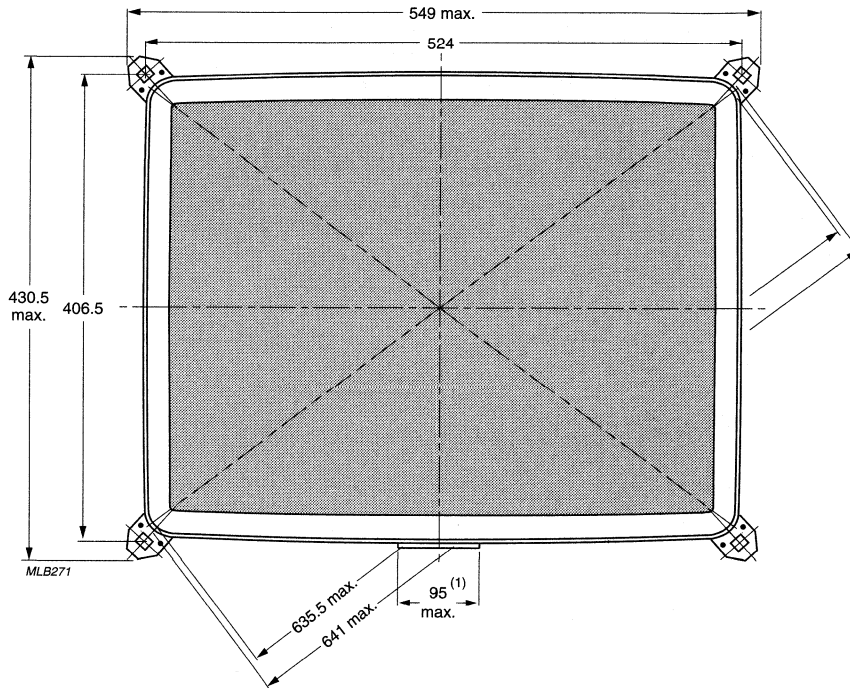


Dimensions in mm.

Fig.3 Tube dimensions; side view.

FS 'Black Line S'
colour picture tube

A59EAK552X

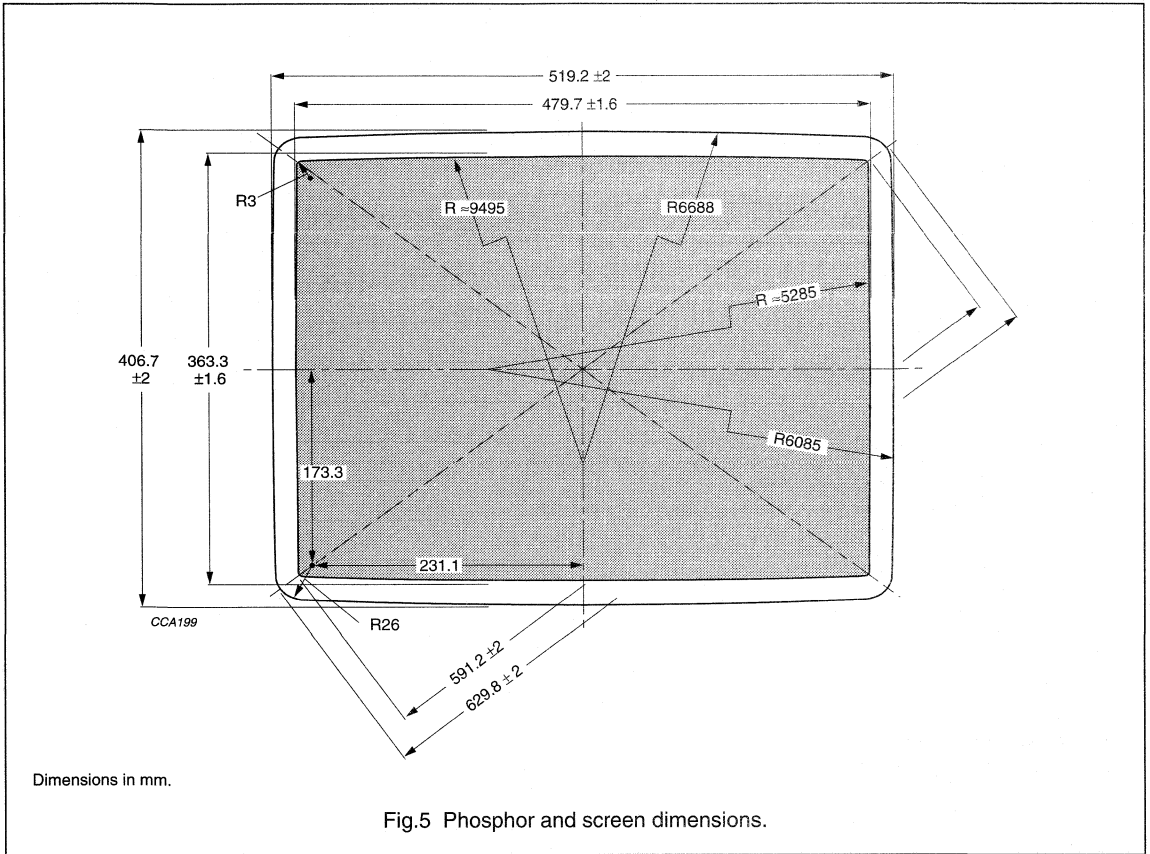


Dimensions in mm.
(1) Location of fishplate.

Fig.4 Tube dimensions; front view.

FS 'Black Line S'
colour picture tube

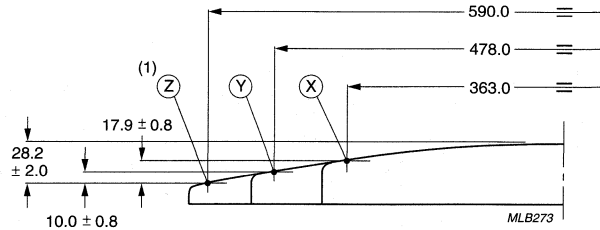
A59EAK552X



FS 'Black Line S'

colour picture tube

A59EAK552X



Dimensions in mm.

(1) Coordinates of Z-point: X = 236, Y = 177.

The X, Y and Z reference points are located on the outside surface of the face plate at the intersection of the minor, major and diagonal screen axis respectively.

The distance Z from any point on the screen to the centre can be calculated using the following formula:

$$R = \sqrt{X^2 + Y^2}$$

$$XB = XA - \frac{R2 \times XA}{R1}$$

$$ZA = R1 - \sqrt{R1^2 - XA^2}$$

$$ZB = R1 - R2 - ZC$$

$$ZC = \frac{(R1 - ZA) \times XB}{XA}$$

$$\text{If } R < XA \text{ then } Z = R1 - \sqrt{R1^2 - R^2}$$

$$\text{else } Z = ZB + R2 - \sqrt{R2^2 - (R - XB)^2}$$

$$R1 = 1607.25$$

$$R2 = 1416.39$$

$$XA = 150.4 \text{ (transition)}$$

Fig.6 Screen reference points.

FS 'Black Line S' colour picture tube

A59EAK552X

Sagittal heights with reference to screen centre at edge of the nominal useful screen

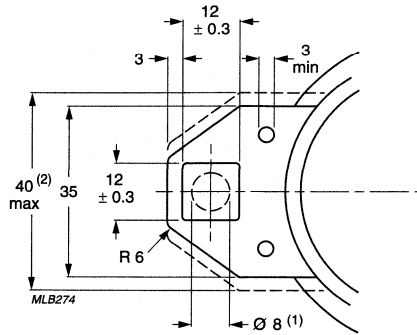
NOMINAL USEFUL SCREEN (NUS)			3 mm INSIDE NUS			10 mm OUTSIDE NUS		
COORDINATES		SAGITTAL HEIGHT	COORDINATES		SAGITTAL HEIGHT	COORDINATES		SAGITTAL HEIGHT
X (mm)	Y (mm)		X (mm)	Y (mm)		X (mm)	Y (mm)	
0.0 ⁽¹⁾	181.7	10.3	0.0	178.7	10.0	0.0	191.7	11.5
20.0	181.6	10.5	20.0	178.6	10.1	20.0	191.6	11.7
40.0	181.6	10.8	40.0	178.6	10.5	40.0	191.6	12.1
60.0	181.5	11.5	60.0	178.5	11.1	60.0	191.5	12.7
80.0	181.3	12.4	80.0	178.3	12.0	80.0	191.3	13.6
100.0	181.1	13.5	100.0	178.1	13.2	100.0	191.1	14.7
120.0	180.9	14.9	120.0	177.9	14.6	120.0	190.9	16.1
140.0	180.6	16.6	140.0	177.6	16.2	140.0	190.6	17.8
160.0	180.3	18.5	160.0	177.3	18.2	160.0	190.3	19.8
180.0	179.9	20.8	180.0	176.9	20.4	180.0	190.0	22.0
200.0	179.5	23.2	200.0	176.5	22.9	200.0	189.6	24.5
220.0	179.1	26.0	220.0	176.1	25.7	220.0	189.1	27.3
234.0	178.8	28.1	—	—	—	240.0	188.6	30.3
236.3 ⁽²⁾	177.6	28.3	233.9	175.8	27.7	246.5	188.5	31.4
236.9	175.9	28.2	—	—	—	246.8	180.0	30.3
237.4	160.0	26.5	234.4	160.0	26.0	247.4	160.0	28.2
238.0	140.0	24.6	235.0	140.0	24.1	248.0	140.0	26.2
238.5	120.0	22.9	235.5	120.0	22.4	248.5	120.0	24.6
238.9	100.0	21.5	235.9	100.0	21.0	248.9	100.0	23.1
239.2	80.0	20.4	236.2	80.0	19.9	249.3	80.0	22.0
239.5	60.0	19.5	236.5	60.0	19.0	249.5	60.0	21.1
239.7	40.0	18.9	236.7	40.0	18.4	249.7	40.0	20.5
239.8	20.0	18.5	236.8	20.0	18.0	249.8	20.0	20.1
239.9 ⁽³⁾	0.0	18.3	236.9	0.0	17.9	249.9	0.0	20.0

Notes

1. End of short axis.
2. End of diagonal axis.
3. End of long axis.

FS 'Black Line S'
colour picture tube

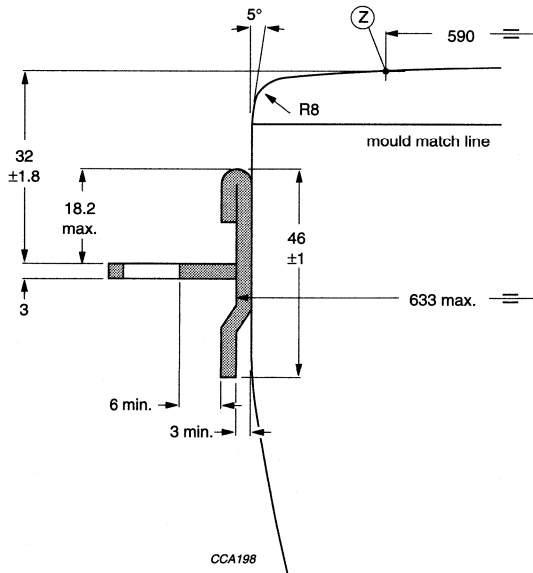
A59EAK552X



Dimensions in mm.

- (1) The position of the mounting screw in the cabinet must be within a circle of 8 mm diameter drawn around the true geometrical positions, i.e. the corners of a rectangle of 524.0 mm × 406.5 mm.
- (2) Minimum space to be reserved for mounting lug in cabinet.

Fig.7 Lug dimensions.



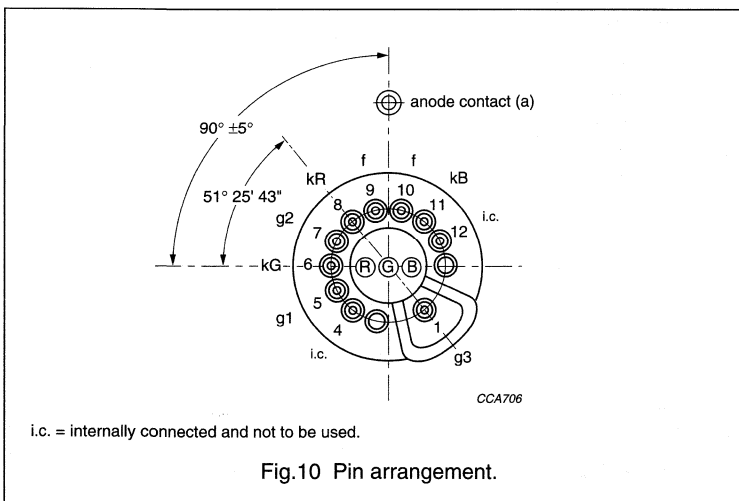
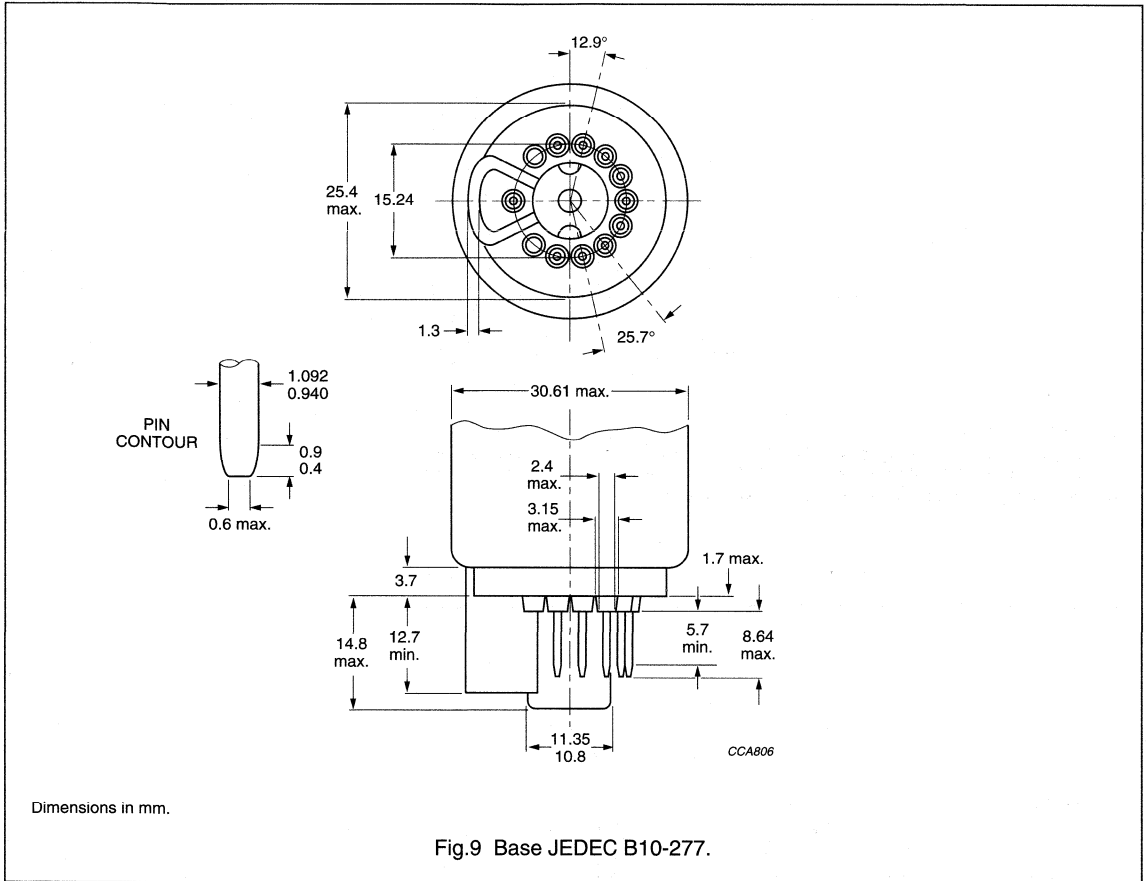
Dimensions in mm.

The displacement of any lug with respect to the plane through the three other lugs is max. 1.5 mm. This deviation is incorporated in the tolerance of ±1.8 mm.

Fig.8 Lug position.

FS 'Black Line S'
colour picture tube

A59EAK552X



Remarks: to Figs 9 and 10.

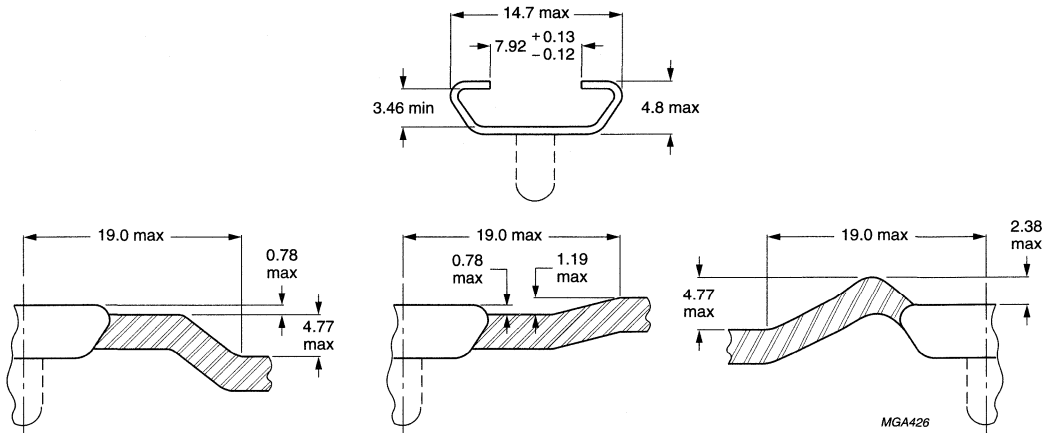
The socket for this base should not be rigidly mounted, it should have flexible leads and be allowed to move freely. After mounting the tube in the cabinet, note that the position of the base can fall within a circle, having a diameter of max. 55 mm concentric with an imaginary tube axis.

The mass of the mounting socket assembly should not exceed 150 g.

Maximum permissible torque on the tube neck is 0.04 Nm.

FS 'Black Line S'
colour picture tube

A59EAK552X



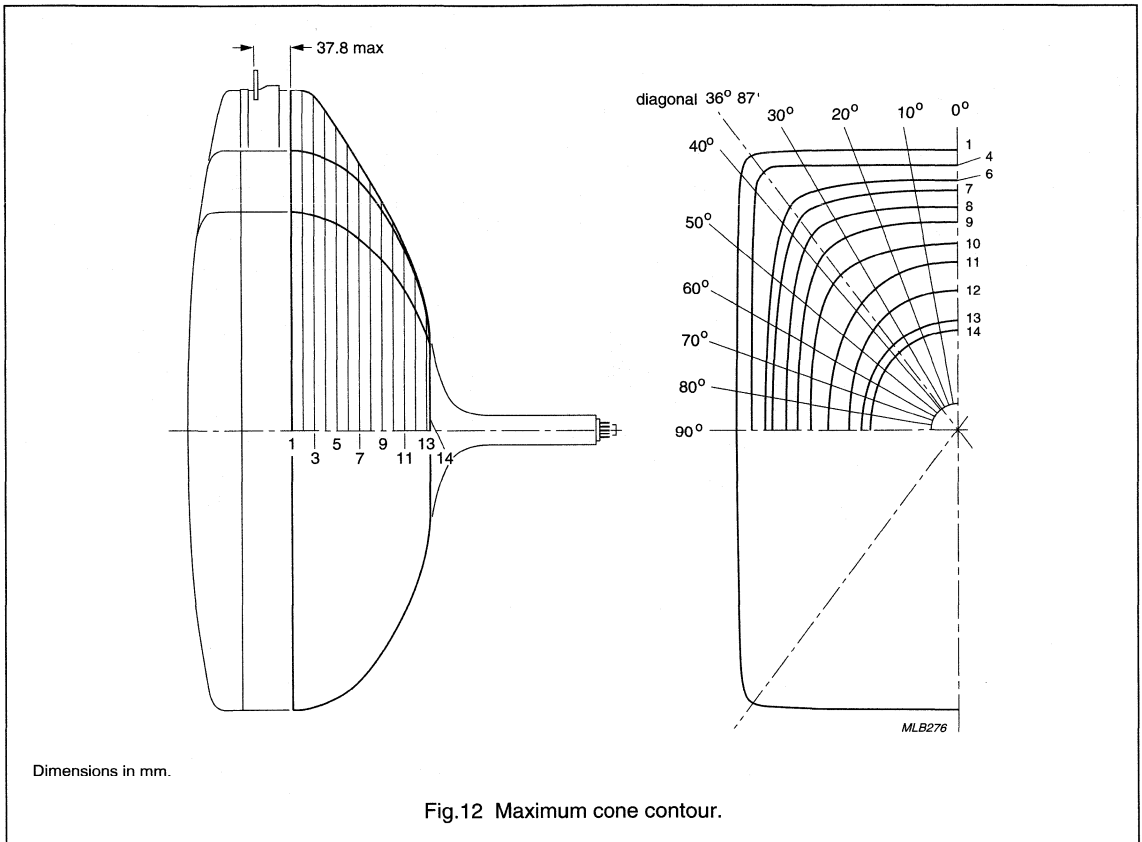
Dimensions in mm.

Fig.11 Cavity cap JEDEC J1-21, IEC 67-III-2.

FS 'Black Line S' colour picture tube

A59EAK552X

Cone contour



FS 'Black Line S'

colour picture tube

A59EAK552X

Cone contour data

SECTION	NOMINAL DISTANCE FROM SECTION 1 (mm)	MAXIMUM DISTANCE FROM TUBE AXIS (mm)										
		0°	10°	20°	30°	36°87	40°	50°	60°	70°	80°	90°
1	0.0	258.5	262.4	274.5	296.9	314.4	308.5	261.6	232.4	214.7	205.2	202.1
2	10.0	257.1	260.9	272.9	295.0	311.7	305.4	258.8	230.0	212.5	203.0	200.0
3	20.0	254.8	258.5	270.2	291.8	304.7	298.9	254.6	226.4	209.2	199.9	196.9
4	30.0	250.9	254.5	265.6	285.9	293.0	287.8	248.1	221.0	204.5	195.5	192.6
5	40.0	245.1	248.4	258.6	276.0	277.4	272.8	239.2	213.8	198.2	189.7	187.0
6	50.0	237.0	239.9	248.9	261.4	260.1	255.9	228.3	205.0	190.6	182.7	180.1
7	60.0	225.8	228.2	235.7	243.8	241.1	237.5	215.0	194.2	181.2	174.0	171.7
8	70.0	210.7	212.7	218.7	223.5	220.4	217.1	199.1	181.1	169.6	163.1	161.1
9	80.0	191.7	193.1	197.6	200.3	197.3	194.6	180.2	165.0	155.2	149.7	147.9
10	90.0	170.1	170.8	173.0	173.9	171.1	168.8	157.5	145.7	137.8	133.4	131.9
11	100.0	145.8	145.6	145.3	144.3	141.6	139.8	131.6	123.4	117.9	114.8	113.7
12	110.0	115.3	114.7	113.2	110.7	108.5	107.3	102.8	99.1	96.5	95.0	94.4
13	120.0	75.4	75.4	75.3	75.2	75.2	75.2	75.1	75.0	75.0	74.9	74.9

HANDLING

During shipment and handling the tube should not be subjected to accelerations greater than 350 m/s² in any direction (at pulse ≤10 ms).

FS 'Black Line S'

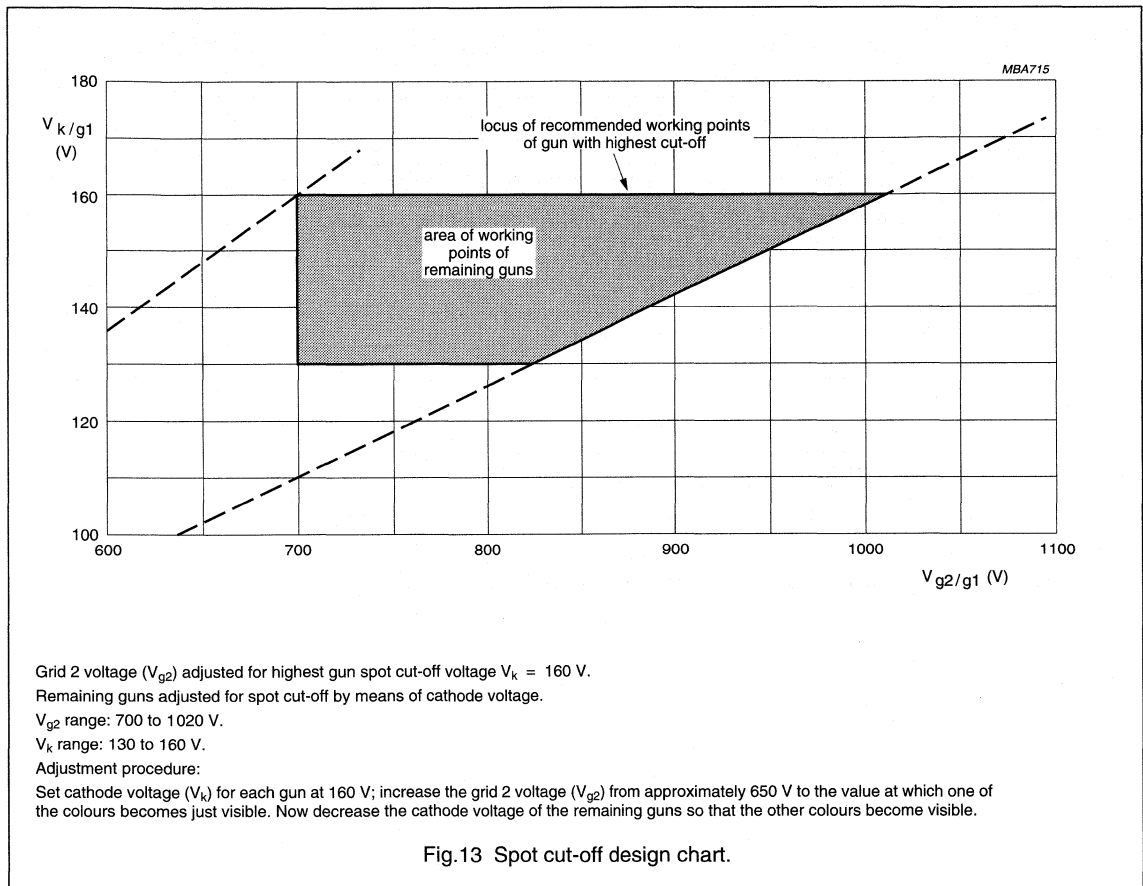
colour picture tube

A59EAK552X

OPERATING DATA

The voltages are specified with respect to grid 1.

SYMBOL	PARAMETER	CONDITIONS	MIN.	TYP.	MAX.	UNIT
$V_{a,g4}$	anode voltage	at full screen load	–	27.5	–	kV
V_{g3}	grid 3 (focus electrode) voltage		8	–	9.1	kV
V_{g2}	grid 2 voltage	for spot cut-off voltage $V_k = 160$ V	700	–	1020	V
V_f	heater voltage	tube operating	–	6.15	–	V



FS 'Black Line S' colour picture tube

A59EAK552X

CHASSIS DESIGN VALUES

The values are valid for anode voltages between 25 and 30 kV. The voltages are specified with respect to grid 1.

SYMBOL	PARAMETER	CONDITIONS	MIN.	TYP.	MAX.	UNIT
V_{g3}	grid 3 (focus electrode) voltage as a percentage of anode voltage		29	–	33	%
V_{g2} and V_k	grid 2 voltage and cathode voltage	for visual extinction of focused spot	see Fig.13			
ΔV_k	difference in cut-off voltage between guns in any tube		lowest value >80% of highest value			
V_f	heater voltage	operating	–	6.15	–	V
	video drive characteristics		note 1 and Fig.14			
I_{g3}	grid 3 (focus electrode) current		–2	–	2	μA
I_{g2}	grid 2 current		–2	–	2	μA
I_{g1}	grid 1 current	under cut-off conditions	–2	–	2	μA
R_{ins}	insulation resistance	each cathode to grid 1 and heater	50	–	–	M Ω
Anode currents to produce white of 6500 K + 7 MPCD (CIE coordinates: x = 0.313; y = 0.329)						
PERCENTAGE OF THE TOTAL ANODE CURRENT SUPPLIED BY EACH GUN (TYPICAL)						
	red gun		–	41.3	–	%
	green gun		–	34.4	–	%
	blue gun		–	24.3	–	%
RATIO OF ANODE CURRENTS						
	red gun to green gun		0.85	1.20	1.55	
	red gun to blue gun		1.20	1.70	2.20	
	blue gun to green gun		0.40	0.70	1.00	

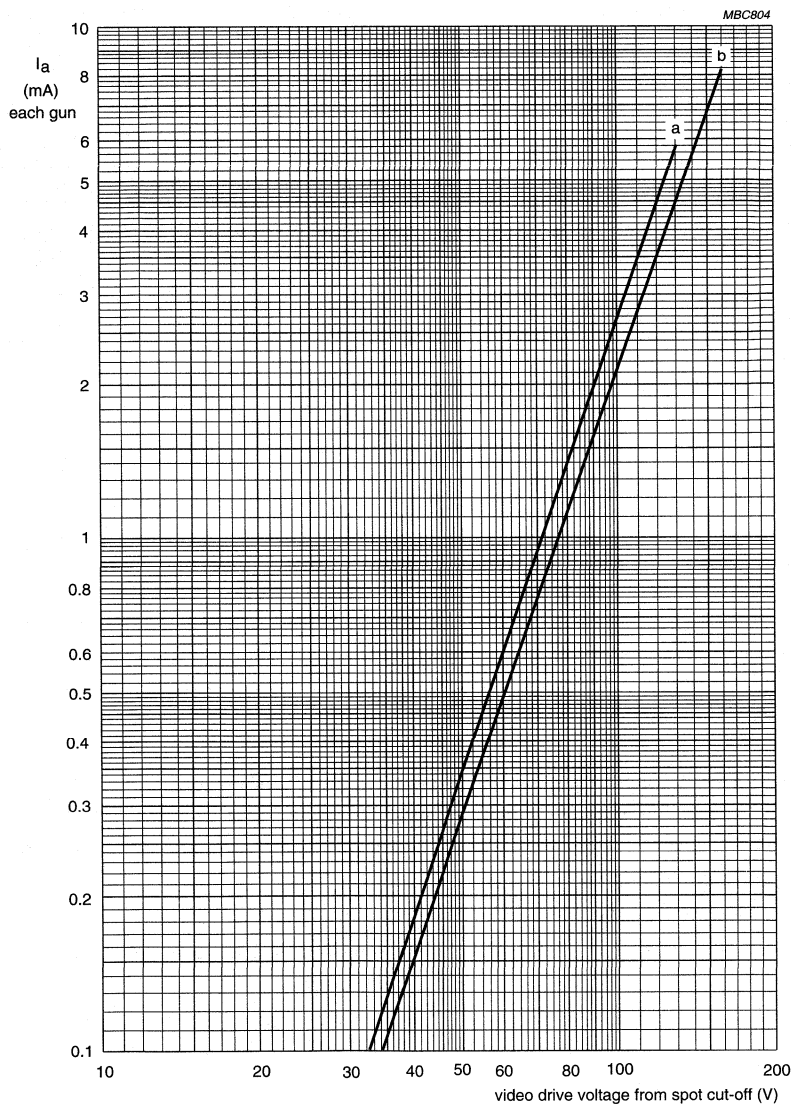
Note

- For optimum picture performance it is recommended that the cathodes are not driven below +1 V with respect to grid 1.

FS 'Black Line S'

colour picture tube

A59EAK552X



$V_f = 6.15$ V.

$V_{a,g4} = 27.5$ kV.

V_{g3} adjusted for focus.

V_{g2} (each gun) adjusted to provide spot cut-off for $V_k = 130$ V (curve a) and $V_k = 160$ V (curve b).

Fig. 14 Typical cathode drive characteristics.

FS 'Black Line S'

colour picture tube

A59EAK552X

LIMITING VALUES

In accordance with the Absolute Maximum Rating System (IEC 134). The voltages are specified with respect to grid 1.

SYMBOL	PARAMETER	CONDITIONS	MIN.	MAX.	UNIT
V_a	anode voltage	note 1	25 ⁽²⁾	32 ⁽³⁾	kV
I_a	long-term average current for three guns	note 4	–	1300	μ A
V_{g3}	grid 3 (focus electrode) voltage	note 5	–	12	kV
V_{g2}	grid 2 voltage	note 6	–	1200	V
V_f	heater voltage	note 7	5.7	6.6 ⁽³⁾	V
Cathode voltage					
V_k	positive	operating	–	250	V
		during blanking	–	400	V
V_k	positive operating cut-off		–	200	V
V_k	negative		–	0	V
V_{kp}	negative peak		–	–2	V
Cathode to heater voltage					
V_{kf}	positive		–	250	V
V_{kfp}	positive peak		–	300	V
V_{kf}	negative		–	0	V
V_{kfp}	negative peak		–	–50	V
Circuit values					
R_{g3}	grid 3 circuit resistance		–	70	M Ω
R_{g2}	grid 2 circuit resistance		–	7	M Ω
R_{g1k}	grid 1 to cathode circuit resistance (each gun)		–	750	k Ω

Notes

1. During adjustment on the production line this value is likely to be surpassed considerably. It is therefore strongly recommended to first make the necessary adjustments for normal operation without the picture tube.
2. Operation of the tube at lower voltages impairs the luminance and resolution and may impair the convergence.
3. This value is an absolute maximum.
4. The short-term average anode current should be limited by circuitry to 1800 μ A.
5. During flashover conditions maximum 20 kV is permitted (see Chapter "Flashover protection").
6. During adjustment on the production line maximum 1500 V is permitted.
7. For maximum cathode life and optimum performance it is recommended that the heater supply is designed for 6.15 V at average beam current, for most applications this equals 6.3 V at zero beam current.

BEAM CENTRING

Maximum centring error in any direction is 4 mm.

FS 'Black Line S' colour picture tube

A59EAK552X

FLASHOVER PROTECTION

The high voltages used with this tube (absolute max. 32 kV) may produce internal flashovers. Soft-flash technology limits these flashover currents to approximately 60 A offering higher reliability, optimum circuit protection and component savings.

Primary protective circuitry using properly grounded spark gaps and series isolation resistors (preferably carbon composition) is still necessary

to prevent tube damage. The spark gaps should be connected to all picture tube electrodes (except the tube heaters) at the tube socket in accordance with Fig.15. No other connections between the outer conductive coating and the chassis are permissible. The spark gaps should be designed for a maximum breakdown voltage at the focus electrode (g_3) of approximately 19 to 20 kV and at the other electrodes of 2 kV at the lowest operating atmospheric pressure.

The values of the series isolation resistors should be as high as possible (min. 0.5 k Ω) without causing deterioration of circuit performance. The resistors should be able to withstand an instantaneous surge of 20 kV for the focus circuit and 12 kV for the remaining circuits without arcing.

To guarantee the soft flash behaviour, the internal dynamic resistance of the tube during flashover is minimum 400 Ω and maximum 800 Ω .

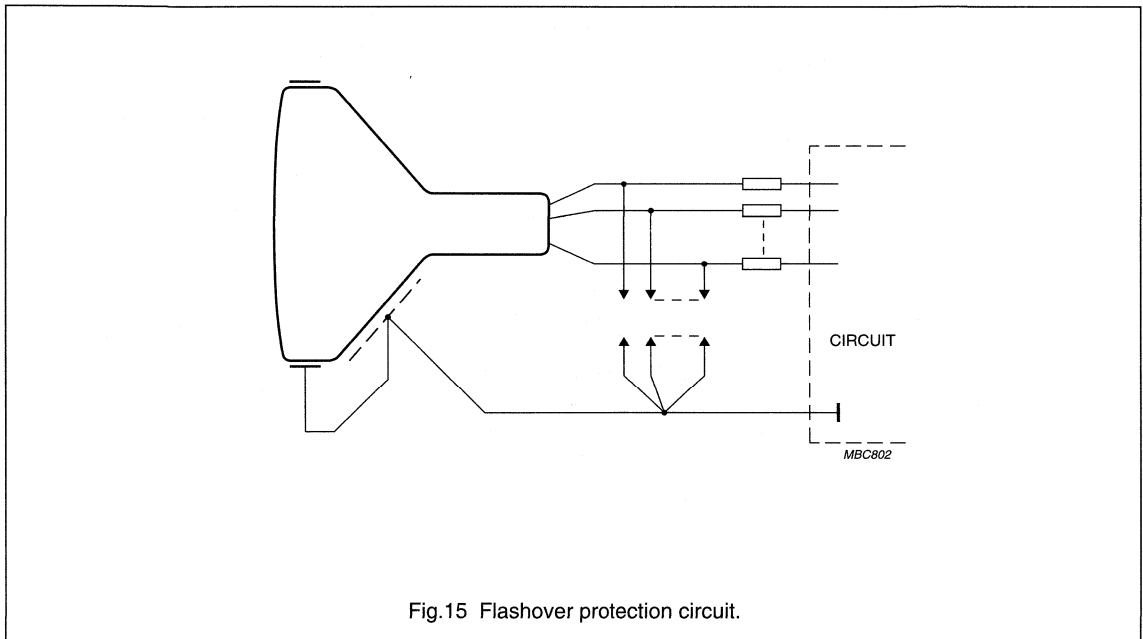


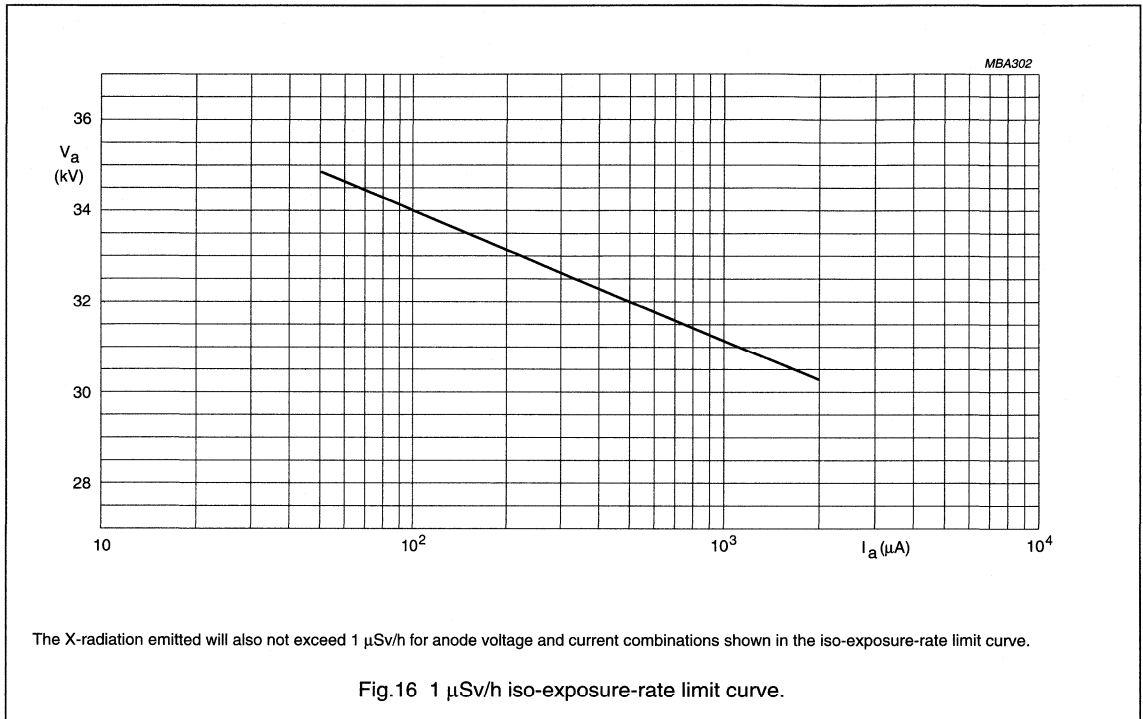
Fig.15 Flashover protection circuit.

FS 'Black Line S' colour picture tube

A59EAK552X

X-RADIATION

The tube does not emit X-radiation above 1 $\mu\text{Sv/h}$ when operated at 30 kV and 1.8 mA.



FS 'Black Line S' colour picture tube

A59EAK552X

DEGAUSSING

The picture tube is provided with an internal magnetic shield. This shield and the shadow mask with its suspension system may be provided with an automatic degaussing system, consisting of one single coil mounted on the cone of the picture tube.

For proper degaussing an initial magnetomotive force (MMF) of 400 ampere-turns is required. This MMF has to be gradually decreased with a maximum of 25% per half period, using appropriate degaussing circuitry. In the steady state, no significant MMF should remain in the coil(s) (≤ 0.15 ampere-turns). Switch-off of the degaussing current is permitted at a peak MMF ≤ 4 ampere-turns.

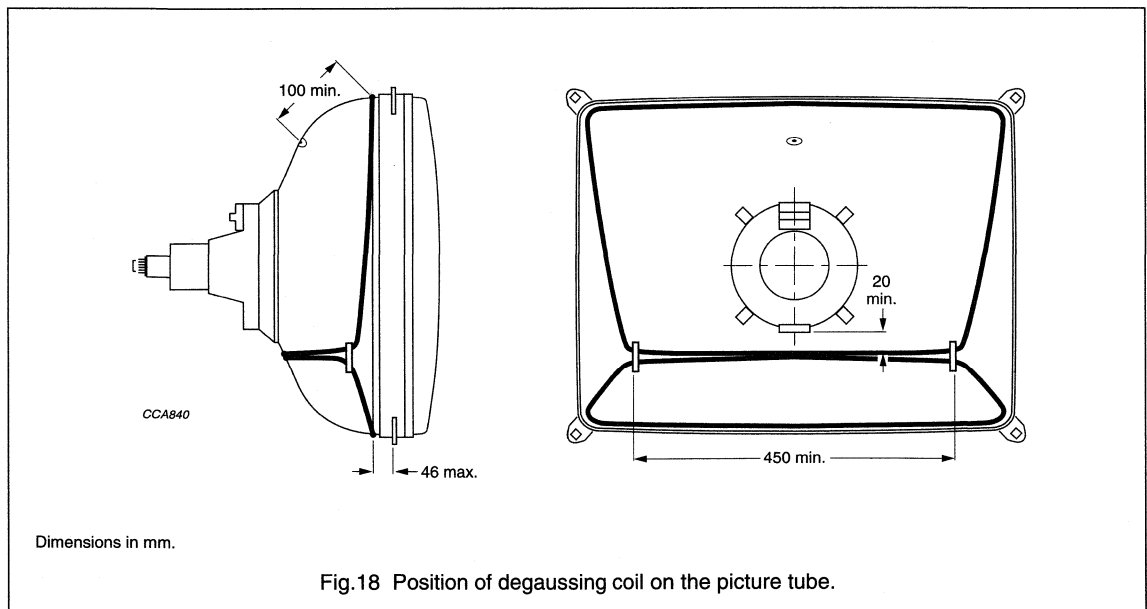
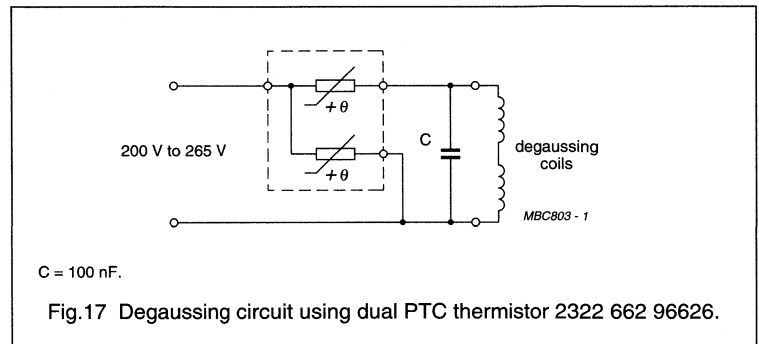
To prevent beam landing disturbances by line-frequency currents induced in the degaussing coils, these coils should be shunted by a capacitor of sufficiently high value.

If single-phase power rectification is employed in the TV circuitry, provision should be included to prevent asymmetric distortion of the AC voltage applied to the degaussing circuit due to high DC inrush currents.

An example of a degaussing circuit and coil data is given in Fig.17 and Table "Degaussing coil data".

Degaussing coil data

PARAMETER	TYP.	UNIT
Circumference	276	cm
Number of turns	70	
Copper wire diameter	0.4	mm
Resistance	27	Ω



FS 'Black Line S' colour picture tube assembly

A59EAK552X01

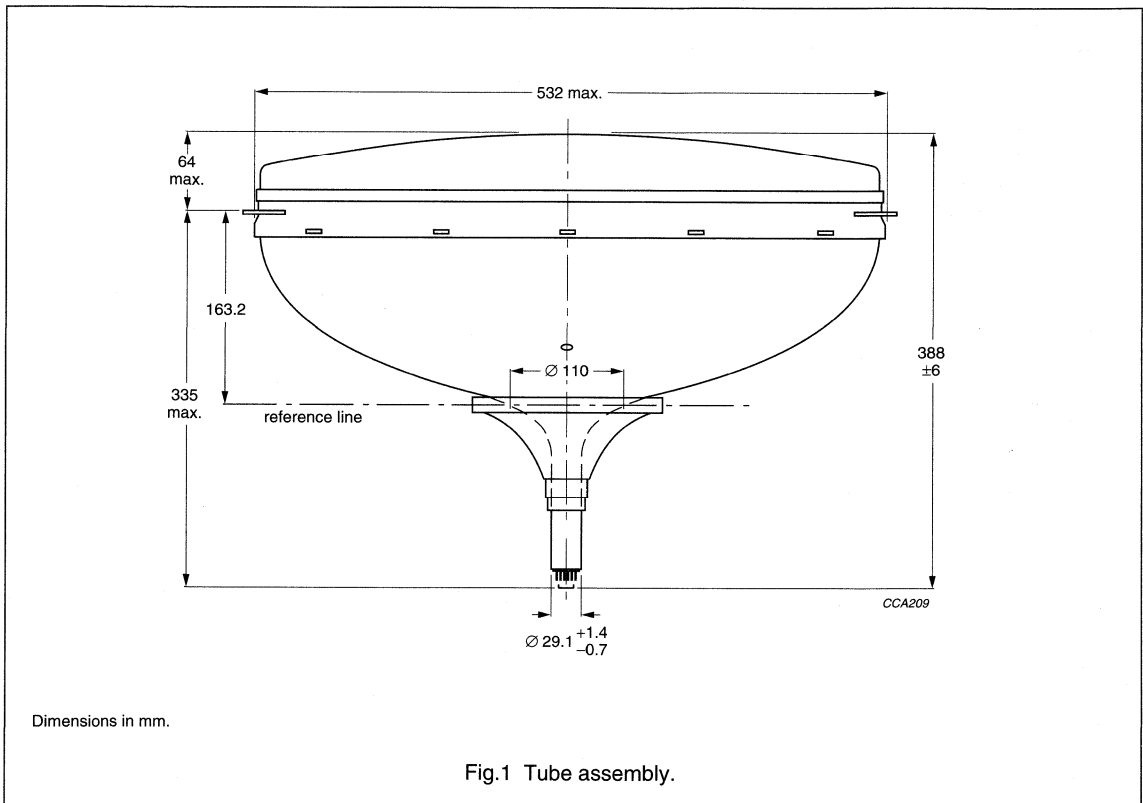
FEATURES

- Factory preset tube/coil assembly
- Self-converging and north-south raster correction free
- 59 cm, 110° colour picture tube A59EAK552X
- Double saddle deflection unit.

QUICK REFERENCE DATA

PARAMETER	TYP.	UNIT
Deflection angle	110	deg
Minimum useful screen diagonal	59	cm
Overall length	39	cm
Neck diameter	29.1	mm
Anode voltage	27.5	kV

MECHANICAL DATA

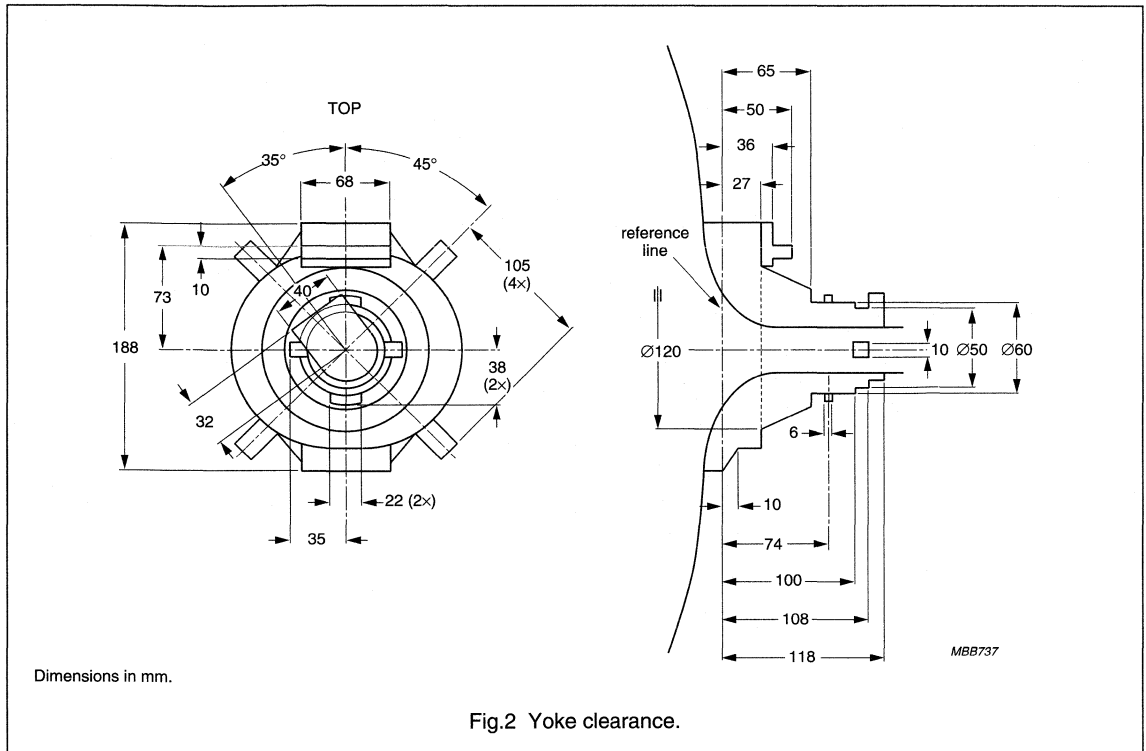


Black Line S

FS 'Black Line S'

colour picture tube assembly

A59EAK552X01

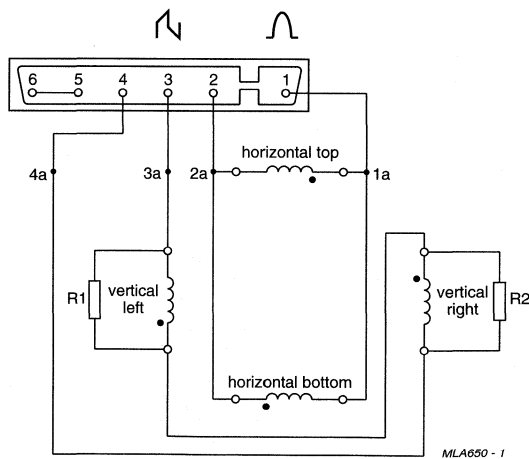
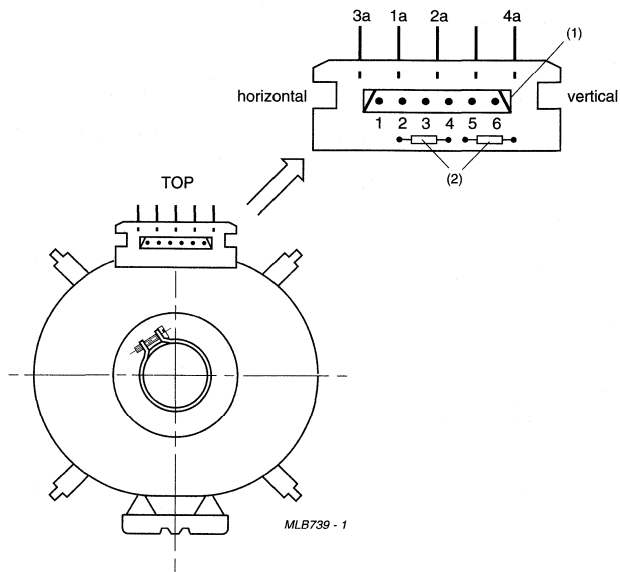


DEFLECTION COIL DATA

PARAMETER	CONDITIONS	VALUE	UNIT
Horizontal coils, parallel connected			
Inductance	1 V (RMS); 1 kHz	1.85	mH
Resistance	$T_{amb} = 25\text{ }^{\circ}\text{C}$	1.8	Ω
Magnetic flux	$V_a = 27.5\text{ kV}$	$8.0 \pm 5\%$	mWb
Horizontal deflection current (peak-to-peak value)	edge-to-edge; $V_a = 27.5\text{ kV}$	4.31	A
Vertical coils, series connected			
Inductance	1 V (RMS); 1 kHz	11.1	mH
Resistance	$T_{amb} = 25\text{ }^{\circ}\text{C}$	6.3	Ω
Vertical deflection current (peak-to-peak value)	edge-to-edge; $V_a = 27.5\text{ kV}$	1.73	A

FS 'Black Line S'
colour picture tube assembly

A59EAK552X01



The beginning of the windings is indicated with •

- (1) Main connector: Stocko series MKS 2820; matching socket connector Stocko series MKF 2800.
- (2) $R1 = R2 = 100 \Omega, 0.25 \text{ W}$.

Fig.3 Deflection coil connections

FS 'Black Line S' colour picture tube assembly

A59EAK552X11

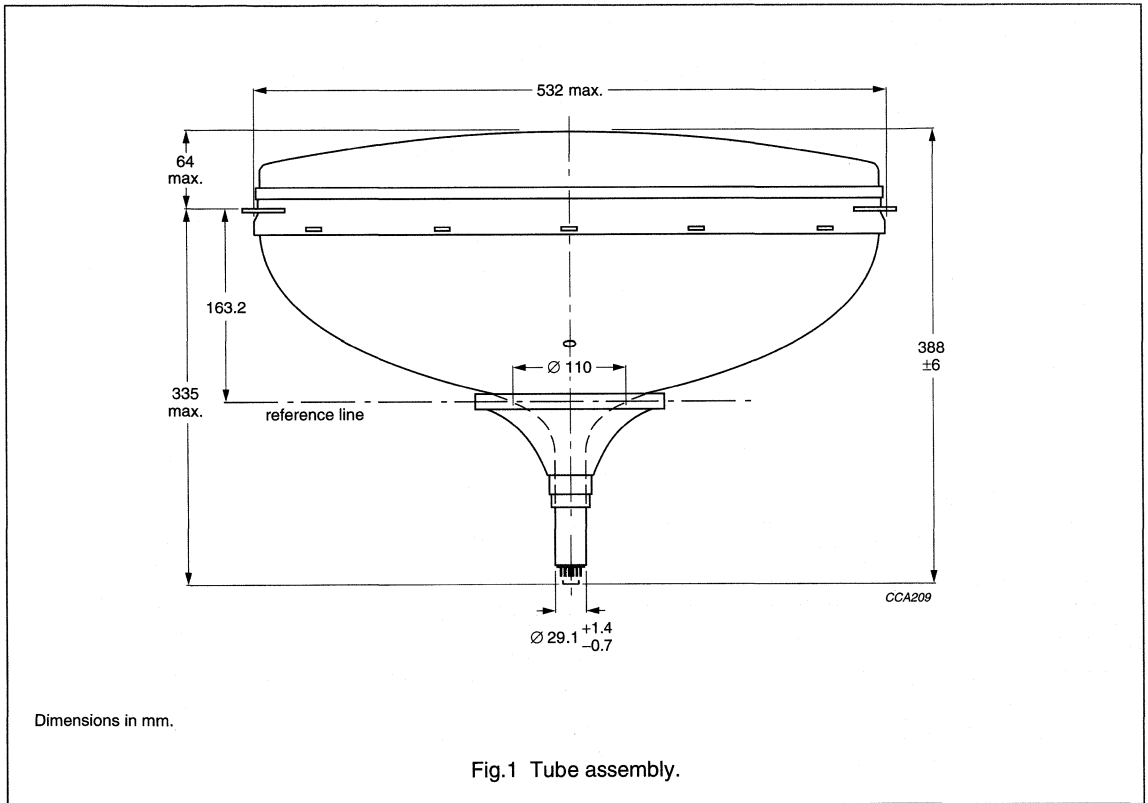
FEATURES

- Factory preset tube/coil assembly
- Self-converging and north-south raster correction free
- 59 cm, 110° colour picture tube A59EAK552X
- Double saddle deflection unit.

QUICK REFERENCE DATA

PARAMETER	TYP.	UNIT
Deflection angle	110	deg
Minimum useful screen diagonal	59	cm
Overall length	39	cm
Neck diameter	29.1	mm
Anode voltage	27.5	kV

MECHANICAL DATA

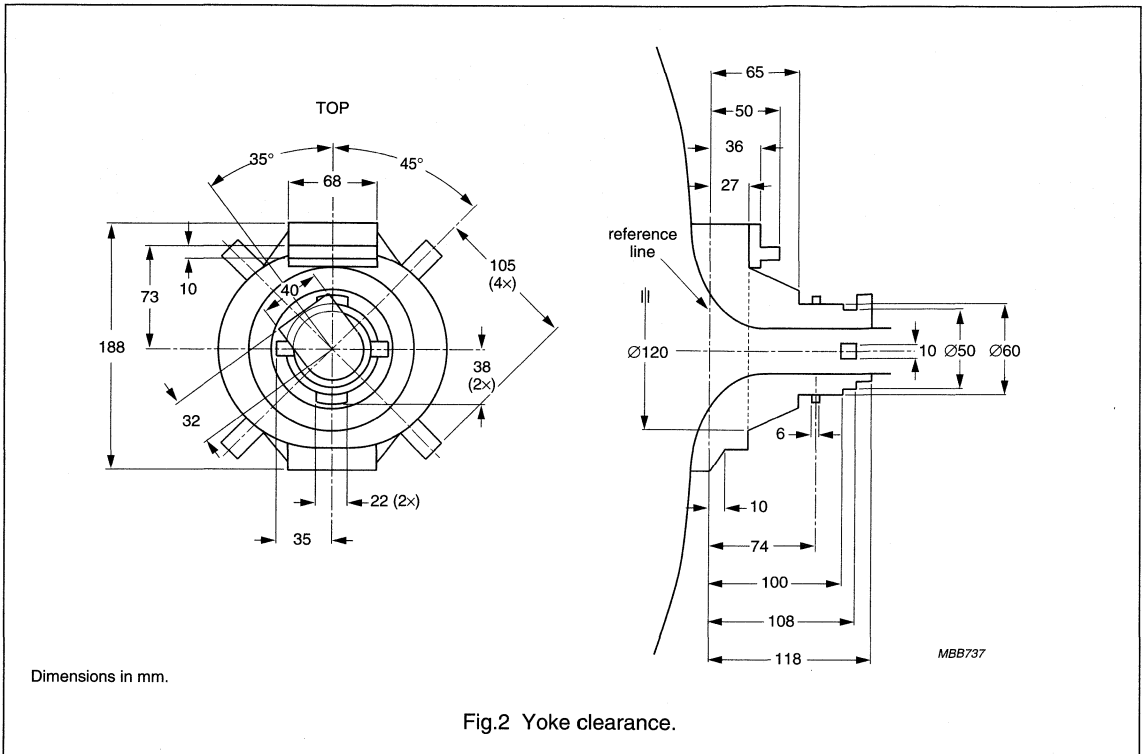


Black Line S

FS 'Black Line S'

colour picture tube assembly

A59EAK552X11

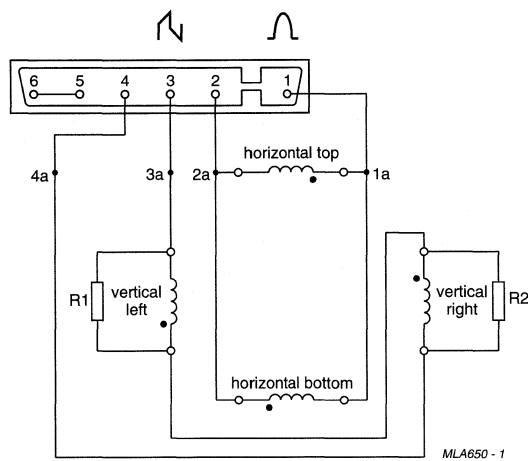
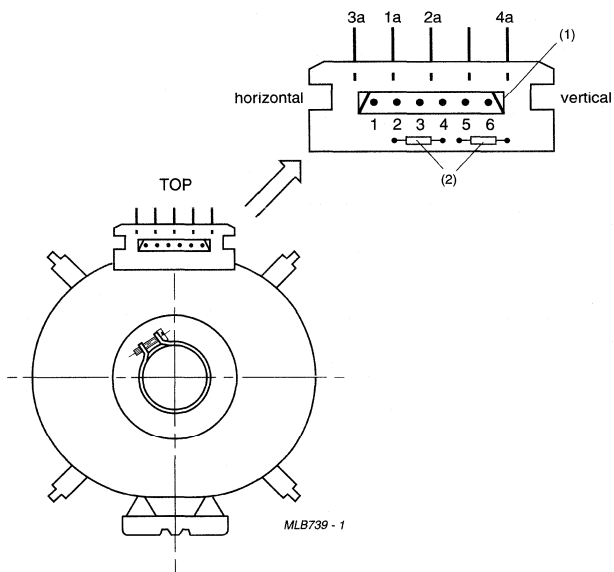


DEFLECTION COIL DATA

PARAMETER	CONDITIONS	VALUE	UNIT
Horizontal coils, parallel connected			
Inductance	1 V (RMS); 1 kHz	1.58	mH
Resistance	$T_{amb} = 25\text{ }^{\circ}\text{C}$	1.6	Ω
Magnetic flux	$V_a = 27.5\text{ kV}$	$7.4 \pm 5\%$	mWb
Horizontal deflection current (peak-to-peak value)	edge-to-edge; $V_a = 27.5\text{ kV}$	4.70	A
Vertical coils, series connected			
Inductance	1 V (RMS); 1 kHz	8.60	mH
Resistance	$T_{amb} = 25\text{ }^{\circ}\text{C}$	5.0	Ω
Vertical deflection current (peak-to-peak value)	edge-to-edge; $V_a = 27.5\text{ kV}$	2.04	A

FS 'Black Line S'
colour picture tube assembly

A59EAK552X11



The beginning of the windings is indicated with •

(1) Main connector: Stocko series MKS 2820; matching socket connector Stocko series MKF 2800.

(2) $R1 = R2 = 100 \Omega, 0.25 \text{ W}$.

Fig.3 Deflection coil connections

FS 'Black Line S' colour picture tube assembly

A59EAK552X21

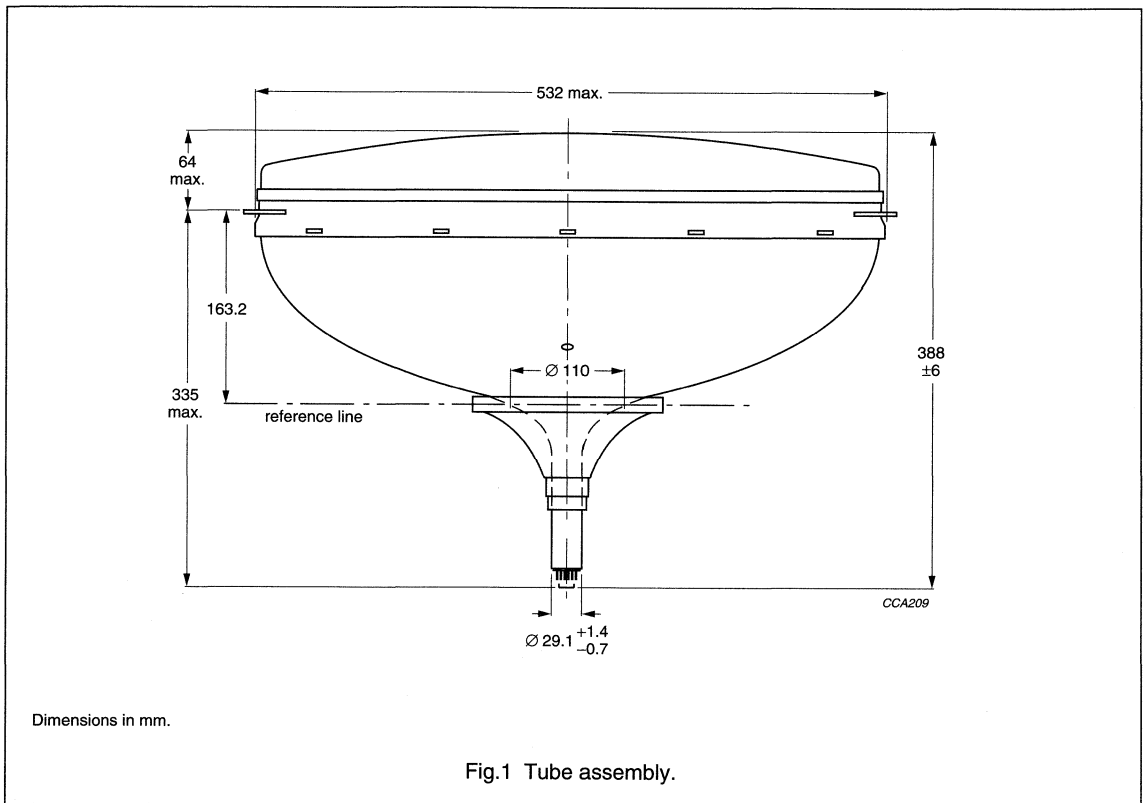
FEATURES

- Factory preset tube/coil assembly
- Self-converging and north-south raster correction free
- 59 cm, 110° colour picture tube A59EAK552X
- Double saddle deflection unit
- Scan Velocity Modulation (SVM) for improved picture sharpness.

QUICK REFERENCE DATA

PARAMETER	TYP.	UNIT
Deflection angle	110	deg
Minimum useful screen diagonal	59	cm
Overall length	39	cm
Neck diameter	29.1	mm
Anode voltage	27.5	kV

MECHANICAL DATA

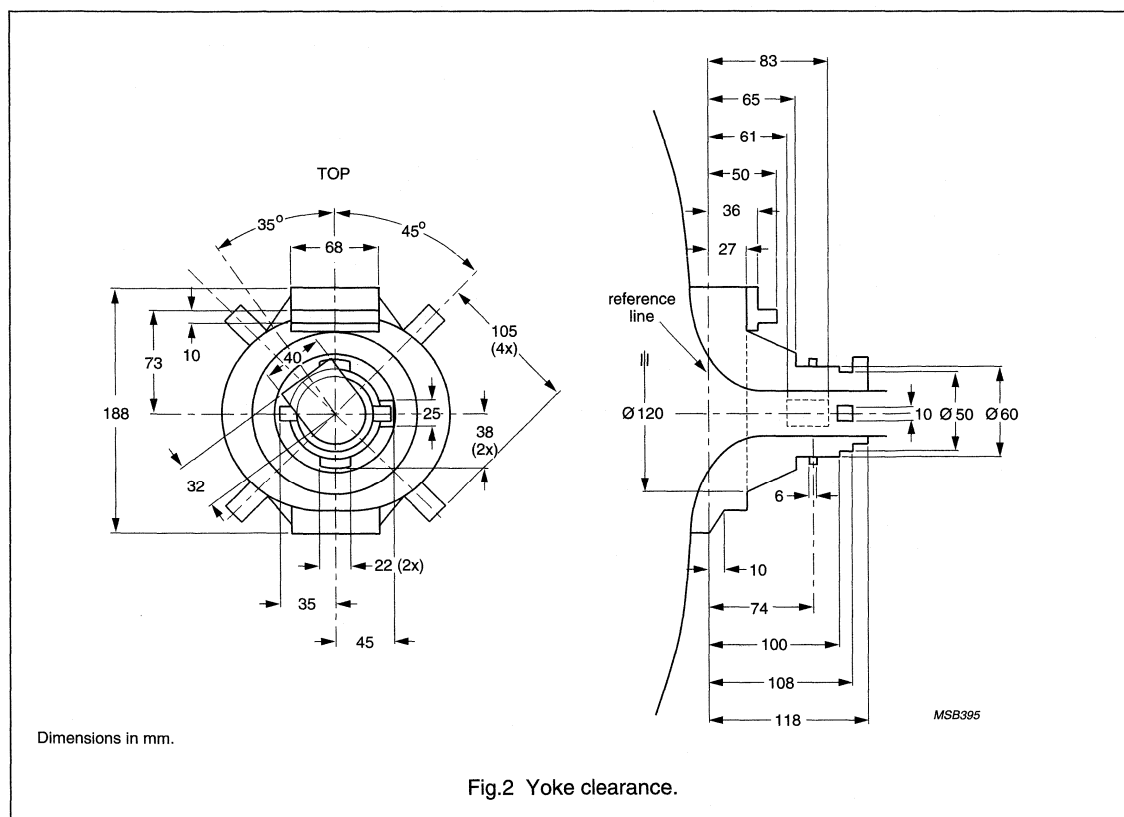


Black Line S

FS 'Black Line S'

colour picture tube assembly

A59EAK552X21

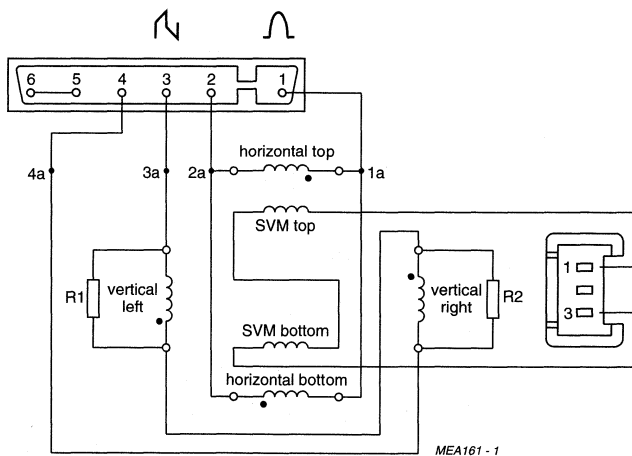
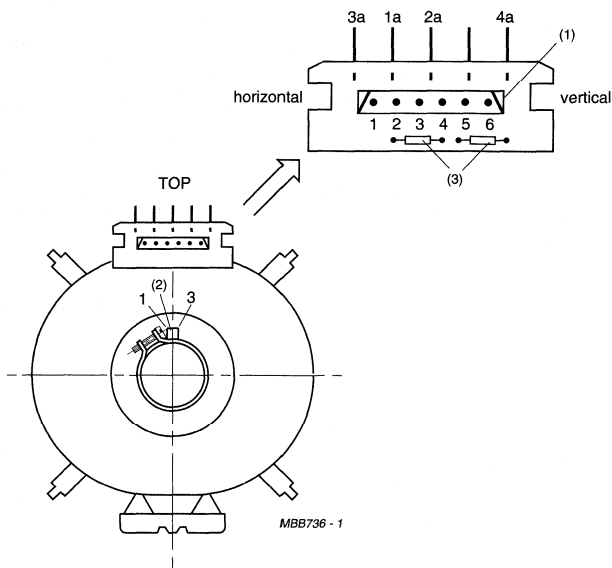


DEFLECTION COIL DATA

PARAMETER	CONDITIONS	TYP.	UNIT
Horizontal coils, parallel connected			
Inductance	1 V (RMS); 1 kHz	1.58	mH
Resistance	$T_{amb} = 25\text{ }^{\circ}\text{C}$	1.6	Ω
Magnetic flux	$V_a = 27.5\text{ kV}$	$7.4 \pm 5\%$	mWb
Horizontal deflection current (peak-to-peak value)	edge-to-edge; $V_a = 27.5\text{ kV}$	4.70	A
Vertical coils, series connected			
Inductance	1 V (RMS); 1 kHz	8.60	mH
Resistance	$T_{amb} = 25\text{ }^{\circ}\text{C}$	5.0	Ω
Vertical deflection current (peak-to-peak value)	edge-to-edge; $V_a = 27.5\text{ kV}$	2.04	A
SVM coils			
Inductance	1 V (RMS); 1 kHz	4.2	μH
Resistance	$T_{amb} = 25\text{ }^{\circ}\text{C}$	1.6	Ω
Sensitivity in X-direction	at screen centre	1.9	mm/A

FS 'Black Line S'
colour picture tube assembly

A59EAK552X21



The beginning of the windings is indicated with •

- (1) Main connector: Stocko series MKS 2820; matching socket connector Stocko series MKF 2800.
- (2) SVM connector: Stocko system RFK 1 (MKS series); matching connector MKF17033, MKF17330 or MKF17360 series.
- (3) $R1 = R2 = 100 \Omega, 0.25 W$.

Fig.3 Deflection coil connections.

FS 'Black Line S' colour picture tube assembly

A59EAK552X44

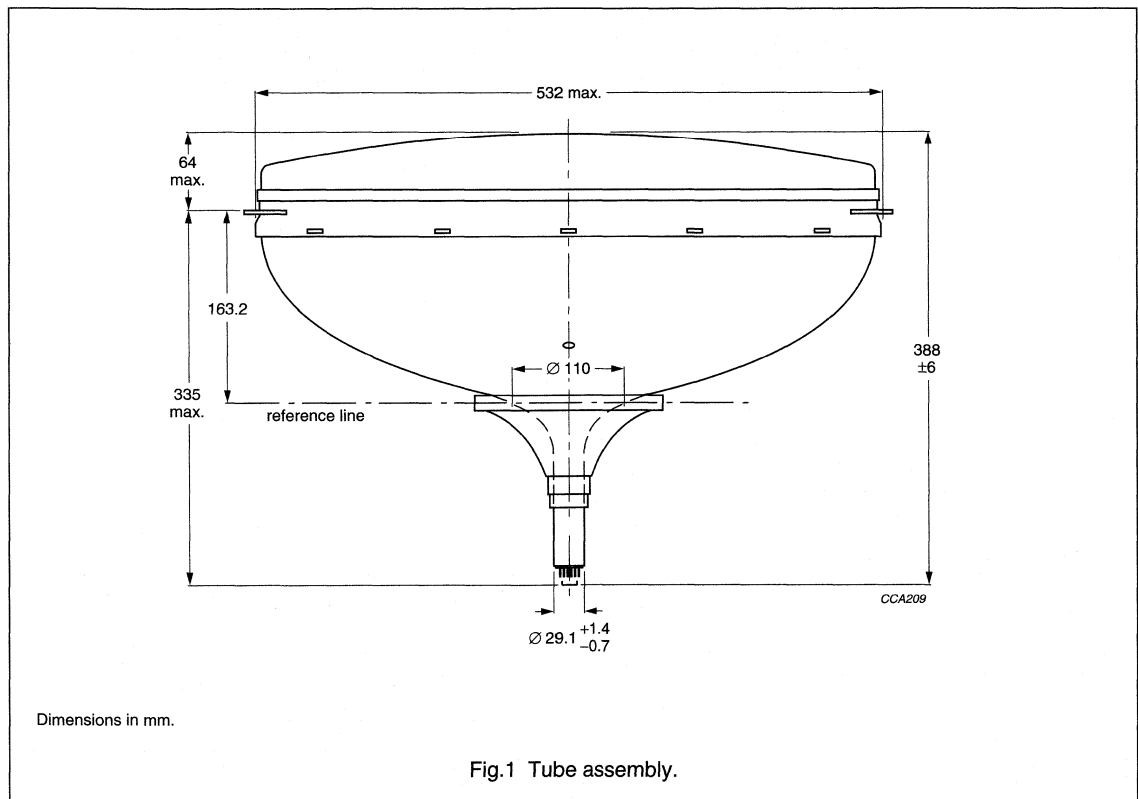
FEATURES

- 100 Hz vertical repetition
- Factory preset tube/coil assembly
- Self-converging and north-south raster correction free
- 59 cm, 110° colour picture tube A59EAK552X
- Double saddle deflection unit.

QUICK REFERENCE DATA

PARAMETER	TYP.	UNIT
Deflection angle	110	deg
Minimum useful screen diagonal	59	cm
Overall length	39	cm
Neck diameter	29.1	mm
Anode voltage	27.5	kV

MECHANICAL DATA

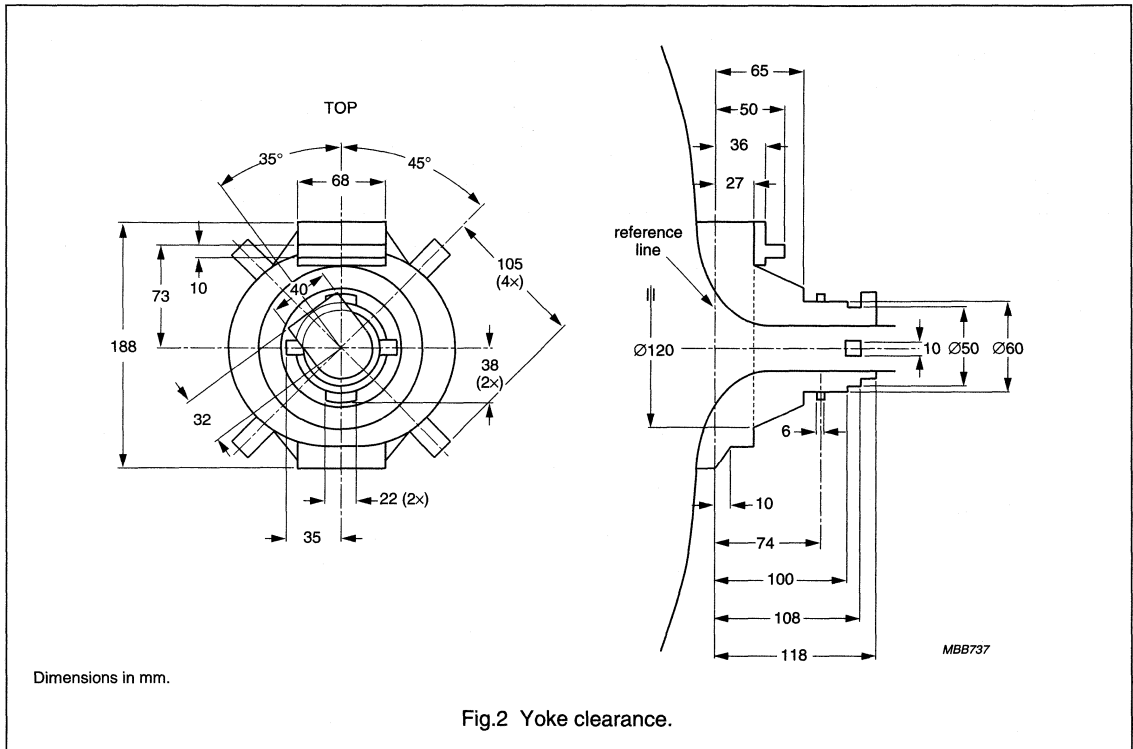


Black Line S

FS 'Black Line S'

colour picture tube assembly

A59EAK552X44

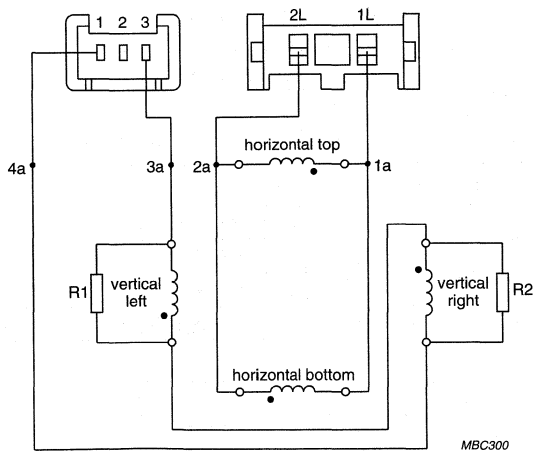
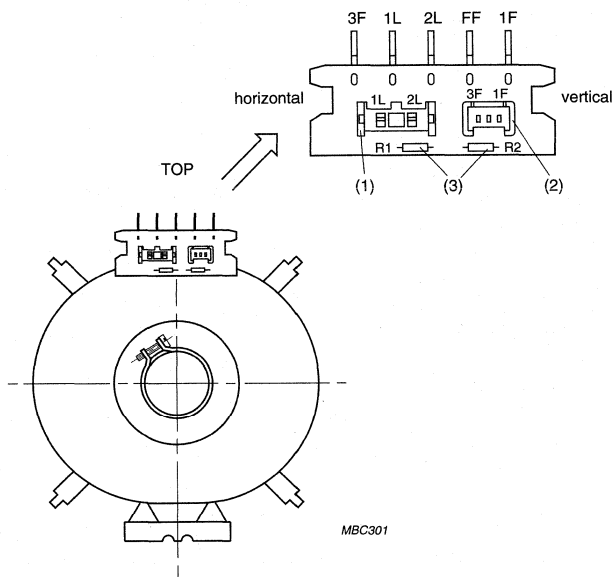


DEFLECTION COIL DATA

PARAMETER	CONDITIONS	TYP.	UNIT
Horizontal coils, parallel connected			
Inductance	1 V (RMS); 1 kHz	0.38	mH
Resistance	$T_{amb} = 25\text{ }^{\circ}\text{C}$	0.40	Ω
Magnetic flux	$V_a = 27.5\text{ kV}$	$3.70 \pm 5\%$	mWb
Horizontal deflection current (peak-to-peak value)	edge-to-edge; $V_a = 27.5\text{ kV}$	9.60	A
Vertical coils, series connected			
Inductance	1 V (RMS); 1 kHz	6.20	mH
Resistance	$T_{amb} = 25\text{ }^{\circ}\text{C}$	3.5	Ω
Vertical deflection current (peak-to-peak value)	edge-to-edge; $V_a = 27.5\text{ kV}$	2.30	A

FS 'Black Line S' colour picture tube assembly

A59EAK552X44



The beginning of the windings is indicated with •

- (1) Horizontal connector: AMP Ultrex connection system; connector 2-173270-2; matching connector 2-173268-2.
- (2) Vertical connector: Stocko system RFK1 (MKS series); matching connector MKF17033, MKF17330 or MKF17360 series.
- (3) $R1 = R2 = 100 \Omega, 0.25 W$.

Fig.3 Deflection coil connections.

FS 'Black Line S' colour picture tube assembly

A59EAK552X54

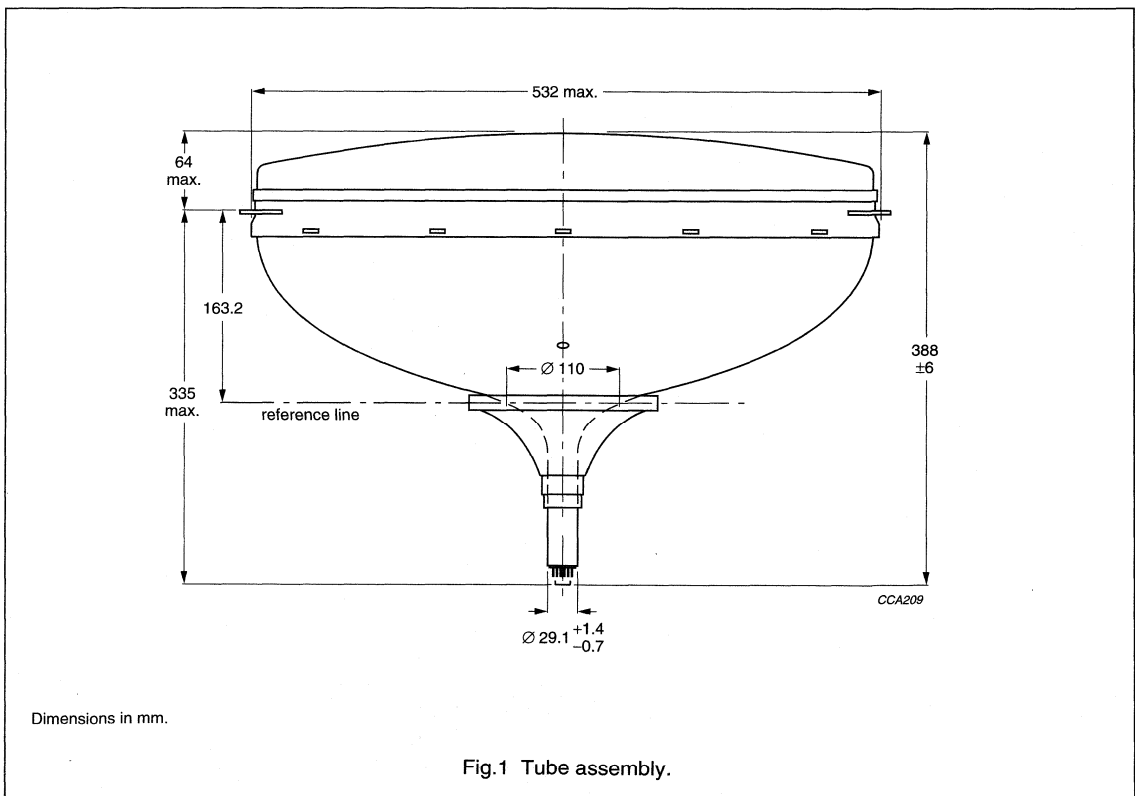
FEATURES

- 100 Hz vertical repetition
- Factory preset tube/coil assembly
- Self-converging and north-south raster correction free
- 59 cm, 110° colour picture tube A59EAK552X
- Double saddle deflection unit
- Scan Velocity Modulation (SVM) for improved picture sharpness.

QUICK REFERENCE DATA

PARAMETER	TYP.	UNIT
Deflection angle	110	deg
Minimum useful screen diagonal	59	cm
Overall length	39	cm
Neck diameter	29.1	mm
Anode voltage	27.5	kV

MECHANICAL DATA



Black Line S

FS 'Black Line S'
colour picture tube assembly

A59EAK552X54

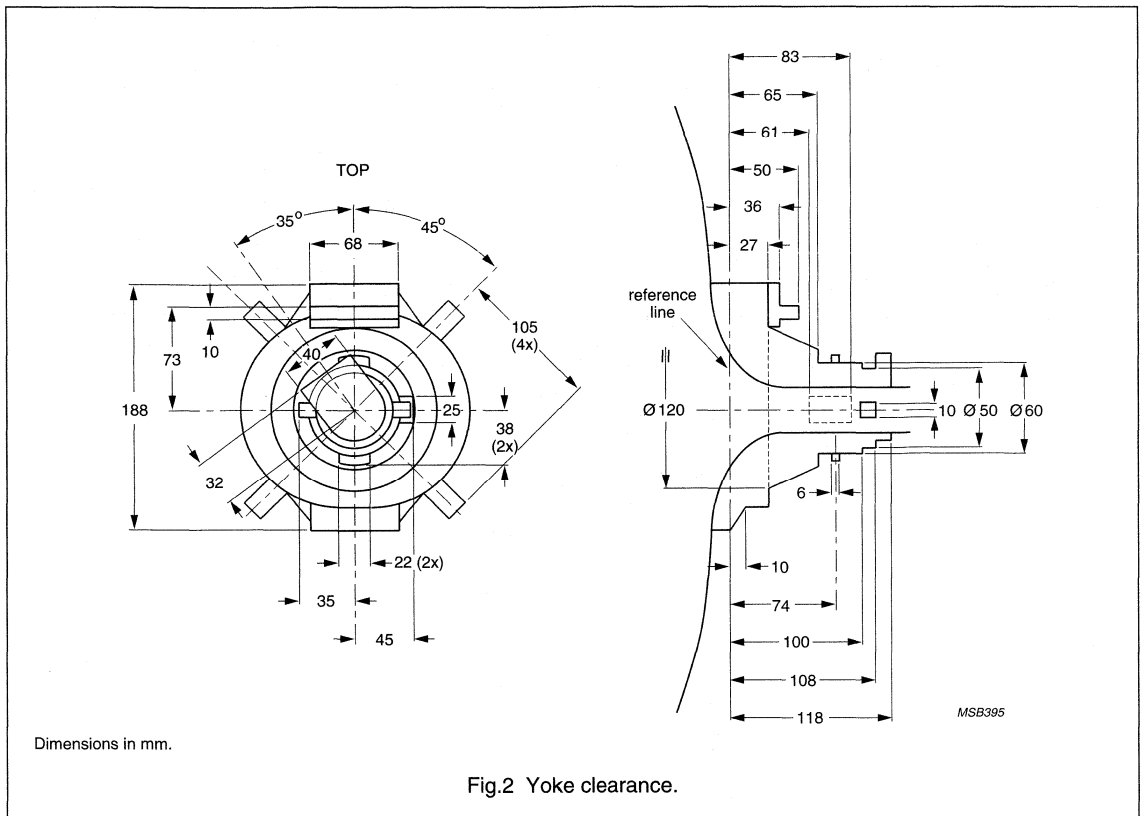


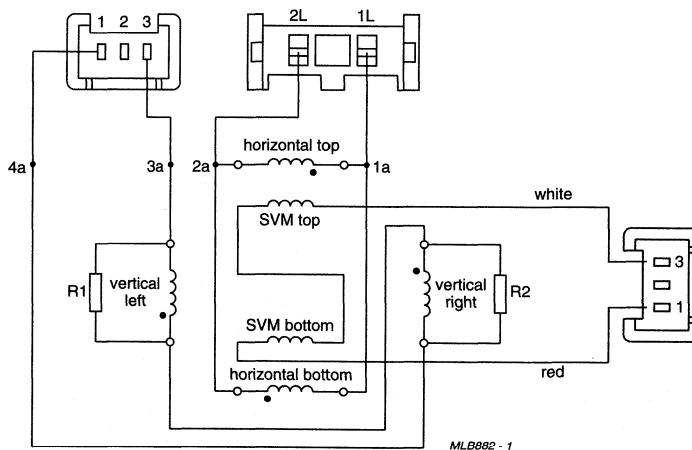
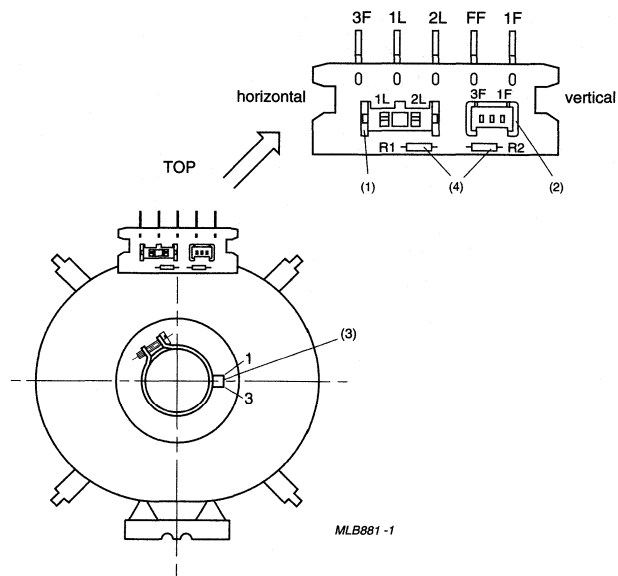
Fig.2 Yoke clearance.

DEFLECTION COIL DATA

PARAMETER	CONDITIONS	TYP.	UNIT
Horizontal coils, parallel connected			
Inductance	1 V (RMS); 1 kHz	0.38	mH
Resistance	T _{amb} = 25 °C	0.40	Ω
Magnetic flux	V _a = 27.5 kV	3.70 ±5%	mWb
Horizontal deflection current (peak-to-peak value)	edge-to-edge; V _a = 27.5 kV	9.60	A
Vertical coils, series connected			
Inductance	1 V (RMS); 1 kHz	6.20	mH
Resistance	T _{amb} = 25 °C	3.5	Ω
Vertical deflection current (peak-to-peak value)	edge-to-edge; V _a = 27.5 kV	2.30	A
SVM coils			
Inductance	1 V (RMS); 1 kHz	4.2	μH
Resistance	T _{amb} = 25 °C	1.6	Ω
Sensitivity in X-direction	at screen centre	1.9	mm/A

FS 'Black Line S' colour picture tube assembly

A59EAK552X54



The beginning of the windings is indicated with •

- (1) Horizontal connector: AMP Ultrax connection system; connector 2-173270-2; matching connector 2-173268-2.
- (2) Vertical connector: Stocko system RFK1 (MKS series); matching connector MKF17033, MKF17330 or MKF17360 series.
- (3) SVM connector: Stocko system RFK1 (MKS series); matching connector MKF17033, MKF17330 or MKF17360 series.
- (4) $R1 = R2 = 100 \Omega, 0.25 \text{ W}$.

Fig.3 Deflection coil connections.

'Black Line SF' colour picture tube**A59ESF002X****FEATURES**

- 'Super Flat' screen
($R_v = 2050$ mm)
- Quick-heating low-power impregnated cathodes
- In-line, IFL, ART (Aberration Reducing Triode) gun with quadrupole cathode lens
- Cd-free phosphors
 - Pigmented deep red
 - Sulphide green
 - Pigmented sulphide blue
- BLACK MATRIX technology
- INVAR mask with corner suspension
- Soft-flash
- Slotted shadow mask optimized for minimum moiré at 525 and 625 line systems
- Internal magnetic shield
- Internal multipole
- High contrast
- High gloss, low transmission screen.

QUICK REFERENCE DATA

PARAMETER	TYP.	UNIT
Deflection angle	110	deg
Useful screen diagonal	59	cm
Overall length	39	cm
Glass transmission	39	%
Neck diameter	29.1	mm
Heater voltage	6.15	V
Heater current	315	mA
Anode voltage at full load	29.5	kV
Focus voltage	25.3 to 29.3% of anode voltage	

Black Line SF

'Black Line SF' colour picture tube

A59ESF002X

ELECTRICAL DATA

SYMBOL	PARAMETER	MIN.	TYP.	UNIT
Capacitances				
$C_{a(m+m')}$	anode to external conductive coating, including rimband	2000	–	pF
$C_{am'}$	anode to metal rimband	–	300	pF
C_{R+G+B}	cathodes of all guns (connected in parallel) to all other electrodes	–	15	pF
C_{kR}, C_{kG}, C_{kB}	cathode of any gun to all other electrodes	–	5	pF
C_{g1}	grid 1 to all other electrodes	–	17	pF
C_{g2}	grid 2 to all other electrodes	–	4.5	pF
C_{g3}	grid 3 (focus electrode) to all other electrodes	–	6	pF
Heating				
V_f	heater voltage: indirect AC (preferably mains or line frequency) or DC	–	6.15	V
I_f	heater current	–	315	mA
Resistance				
R_{rim}	resistance between rimband and external conductive coating	50	–	MΩ

ELECTRO-OPTICAL DATA

PARAMETER	VALUE
Electron gun system	unitized triple-aperture electrodes; aberration reducing triode
Focus method	electrostatic
Main lens	polygon
Convergence method	magnetic
Deflection method	magnetic
Deflection angles	
diagonal	110°
horizontal	97°
vertical	77°

'Black Line SF' colour picture tube

A59ESF002X

OPTICAL DATA

PARAMETER	VALUE
Screen	metal-backed vertical phosphor stripes
Matrix	black opaque material, PVP technology
Screen finish	high gloss
Nominal screen dimensions	
diagonal	591.6 mm
horizontal	475.2 mm
vertical	358.0 mm
area	1700 cm ²
Phosphor alignment	see Fig.1
Phosphors	
red	pigmented europium activated rare earth
green	Cd-free sulphide type
blue	pigmented sulphide type
Persistence	medium short
Centre-to-centre distance of identical colour phosphor stripes	
at screen centre	0.79 mm
at ends of long axis	0.95 mm
Light transmission of face glass at centre of screen	39%
Luminance at centre of screen; note 1	70 cd/m ²

Note

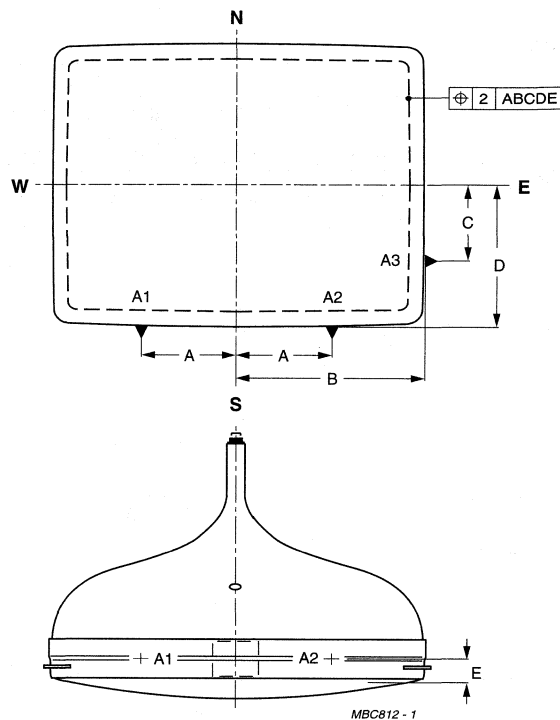
1. Tube settings adjusted to produce white D ($x = 0.313$, $y = 0.329$), focused raster, current density $0.4 \mu\text{A}/\text{cm}^2$.

Colour coordinates

COLOUR COORDINATE	x	y
Red	0.630	0.330
Green	0.295	0.595
Blue	0.155	0.065

'Black Line SF' colour picture tube

A59ESF002X



A = 180.3 mm.
 B = 259.5 mm.
 C = 123.0 mm.
 D = 202.0 mm.
 E = 25.2 mm.

Fig.1 Phosphor alignment.

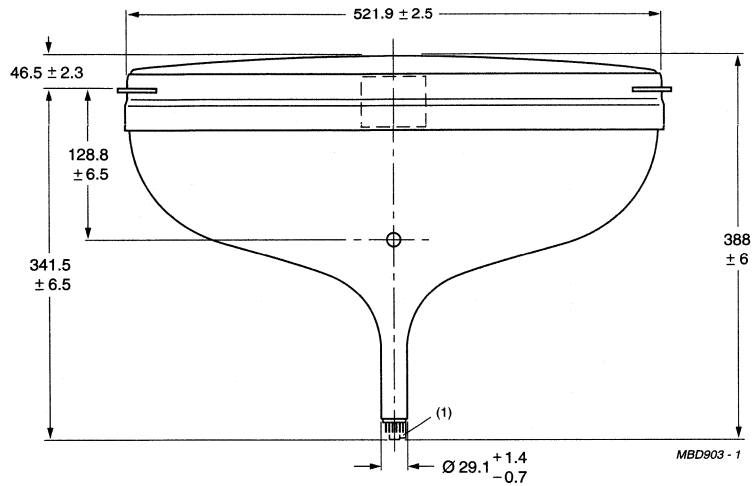
MECHANICAL DATA

See Figs 2 to 12.

PARAMETER	VALUE
Base	JEDEC B10-277
Anode contact	small cavity contact JEDEC J1-21; IEC 67-III-2
Mounting position	anode contact on top
Implosion protection	shrunk-on rimband
Mass including deflection unit	≈20.5 kg

'Black Line SF' colour picture tube

A59ESF002X



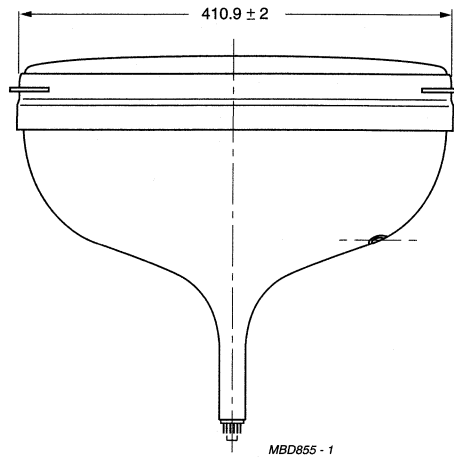
Dimensions in mm.

- (1) The socket for this base should not be rigidly mounted; it should have flexible leads and be allowed to move freely. After mounting of the tube in the cabinet note that the position of the base can fall within a circle, having a diameter of max. 50 mm concentric with an imaginary tube axis.

Fig.2 Tube dimensions; top view.

'Black Line SF' colour picture tube

A59ESF002X

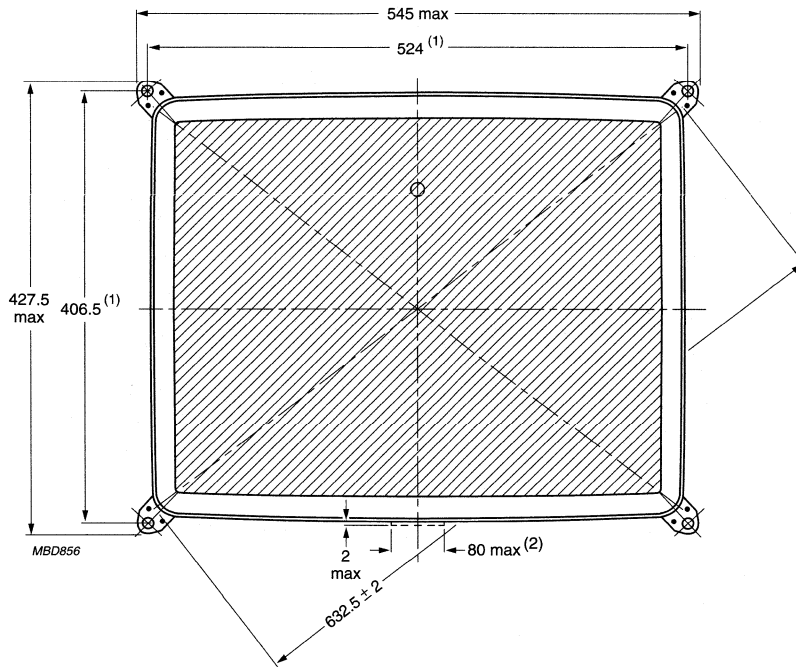


Dimensions in mm.

Fig.3 Tube dimensions; side view.

'Black Line SF' colour picture tube

A59ESF002X



Dimensions in mm.

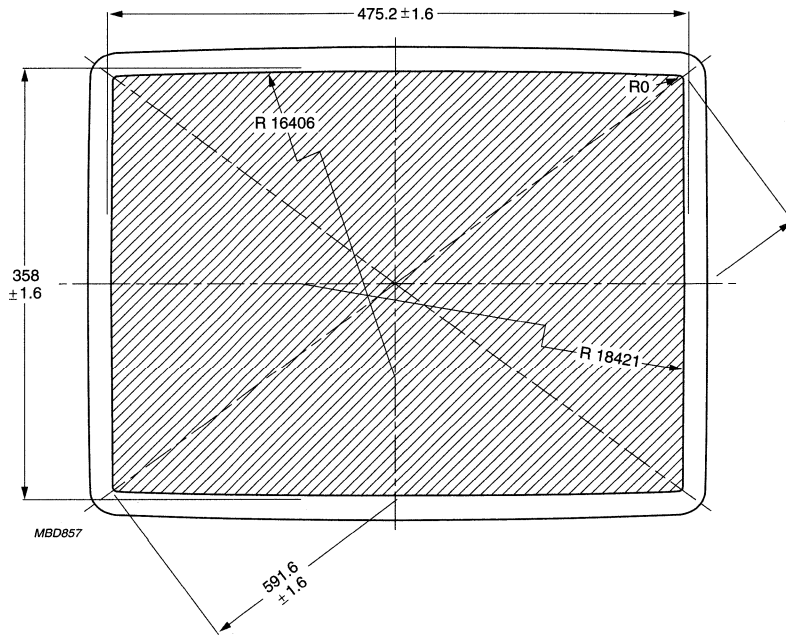
(1) The position of the mounting screw in the cabinet must be within a circle of 8 mm diameter drawn around the true geometrical positions, i.e. the corners of a rectangle of 524 mm × 406.5 mm.

(2) Location of fishplate.

Fig.4 Tube dimensions; front view.

'Black Line SF' colour picture tube

A59ESF002X

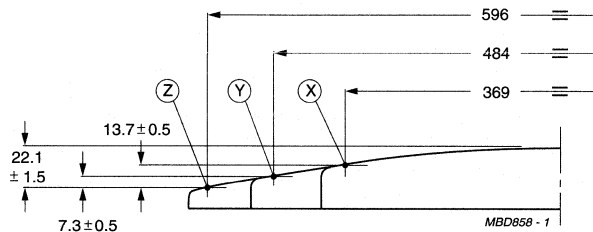


Dimensions in mm.

Fig.5 Phosphor dimensions.

'Black Line SF' colour picture tube

A59ESF002X



Dimensions in mm.

The X, Y and Z reference points are located on the outside surface of the face plate at the intersection of the minor, major and diagonal screen axis respectively, with the minimum published screen.

The distance Z from any point on the screen to the centre can be calculated using the following formula:

$$Z_1 = 2.517069 \times 10^{-4} \times X^2 + 2.214350 \times 10^{-11} \times X^4 \\ + 2.456974 \times 10^{-4} \times Y^2 - 7.329235 \times 10^{-11} \times X^2 \times Y^2 - 1.967559 \times 10^{-16} \times X^4 \times Y^2 \\ + 1.490628 \times 10^{-11} \times Y^4 - 1.340310 \times 10^{-17} \times X^2 \times Y^4 - 3.028320 \times 10^{-23} \times X^4 \times Y^4$$

Fig.6 Screen reference points.

'Black Line SF' colour picture tube

A59ESF002X

Sagittal heights of the useful screen measured with respect to the end of the diagonal axis

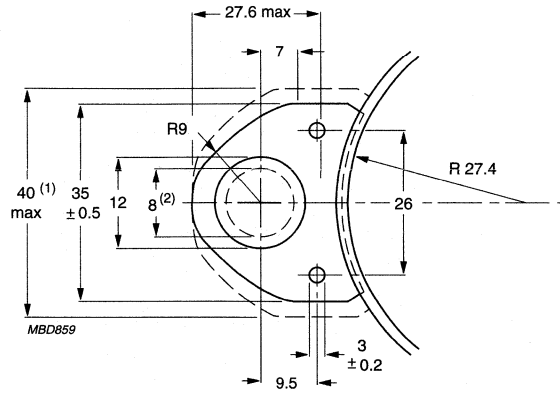
NOMINAL USEFUL SCREEN (NUS)			3 mm INSIDE NUS			10 mm OUTSIDE NUS		
COORDINATES		SAGITTAL HEIGHT	COORDINATES		SAGITTAL HEIGHT	COORDINATES		SAGITTAL HEIGHT
X (mm)	Y (mm)		X (mm)	Y (mm)		X (mm)	Y (mm)	
0.0	0.0	21.8	0.0	0.0	21.2	0.0	0.0	22.8
0.0 ⁽¹⁾	179.0	13.9	0.0	176.0	13.5	0.0	184.0	14.5
20.0	179.0	13.8	20.0	176.0	13.4	20.0	184.0	14.4
40.0	179.0	13.5	40.0	176.0	13.2	40.0	184.0	14.1
60.0	178.9	13.0	60.0	175.9	12.7	60.0	183.9	13.6
80.0	178.8	12.3	80.0	175.8	12.0	80.0	183.8	12.9
100.0	178.7	11.4	100.0	175.7	11.1	100.0	183.7	12.0
120.0	178.6	10.3	120.0	175.6	10.0	120.0	183.6	10.9
140.0	178.5	9.0	140.0	175.5	8.7	140.0	183.5	9.6
160.0	178.3	7.6	160.0	175.3	7.2	160.0	183.3	8.1
180.0	178.1	5.9	180.0	175.1	5.5	180.0	183.1	6.5
200.0	177.9	4.0	200.0	174.9	3.6	200.0	182.9	4.6
220.0	177.7	1.9	220.0	174.7	1.5	220.0	182.7	2.5
236.6	177.5	0.0	–	–	–	240.0	182.4	0.2
236.6 ⁽²⁾	177.5	0.0	233.7	174.5	0.0	241.6	182.4	0.0
236.6	177.5	0.0	–	–	–	241.6	180.0	0.2
236.8	160.0	1.4	233.8	160.0	1.2	241.8	160.0	1.8
237.0	140.0	2.8	234.0	140.0	2.6	242.0	140.0	3.3
237.2	120.0	4.1	234.2	120.0	3.8	242.2	120.0	4.5
237.3	100.0	5.1	234.3	100.0	4.9	242.3	100.0	5.5
237.4	80.0	6.0	234.4	80.0	5.7	242.4	80.0	6.4
237.5	60.0	6.6	234.5	60.0	6.4	242.5	60.0	7.1
237.6	40.0	7.1	234.6	40.0	6.9	242.6	40.0	7.5
237.6	20.0	7.4	234.6	20.0	7.2	242.6	20.0	7.8
237.6 ⁽³⁾	0.0	7.5	234.6	0.0	7.3	242.6	0.0	7.9

Notes

1. End of long axis.
2. End of diagonal axis.
3. End of short axis.

'Black Line SF' colour picture tube

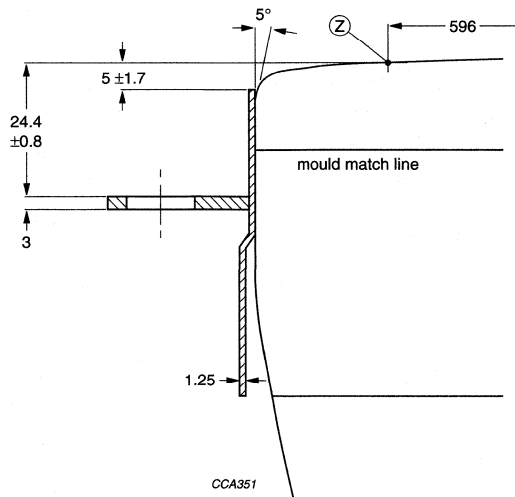
A59ESF002X



Dimensions in mm.

- (1) Minimum space to be reserved for mounting lug.
- (2) The position of the mounting screw in the cabinet must be within a circle of 8 mm diameter drawn around the true geometrical positions, i.e. the corners of a rectangle of 524 mm × 406.5 mm.

Fig.7 Lug dimensions.

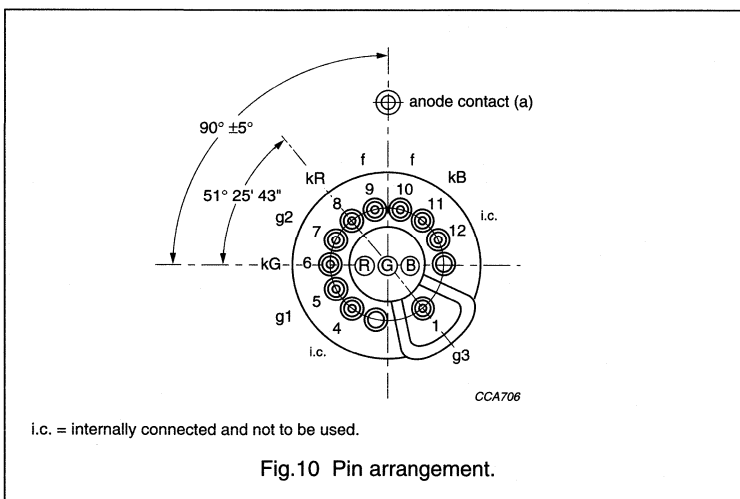
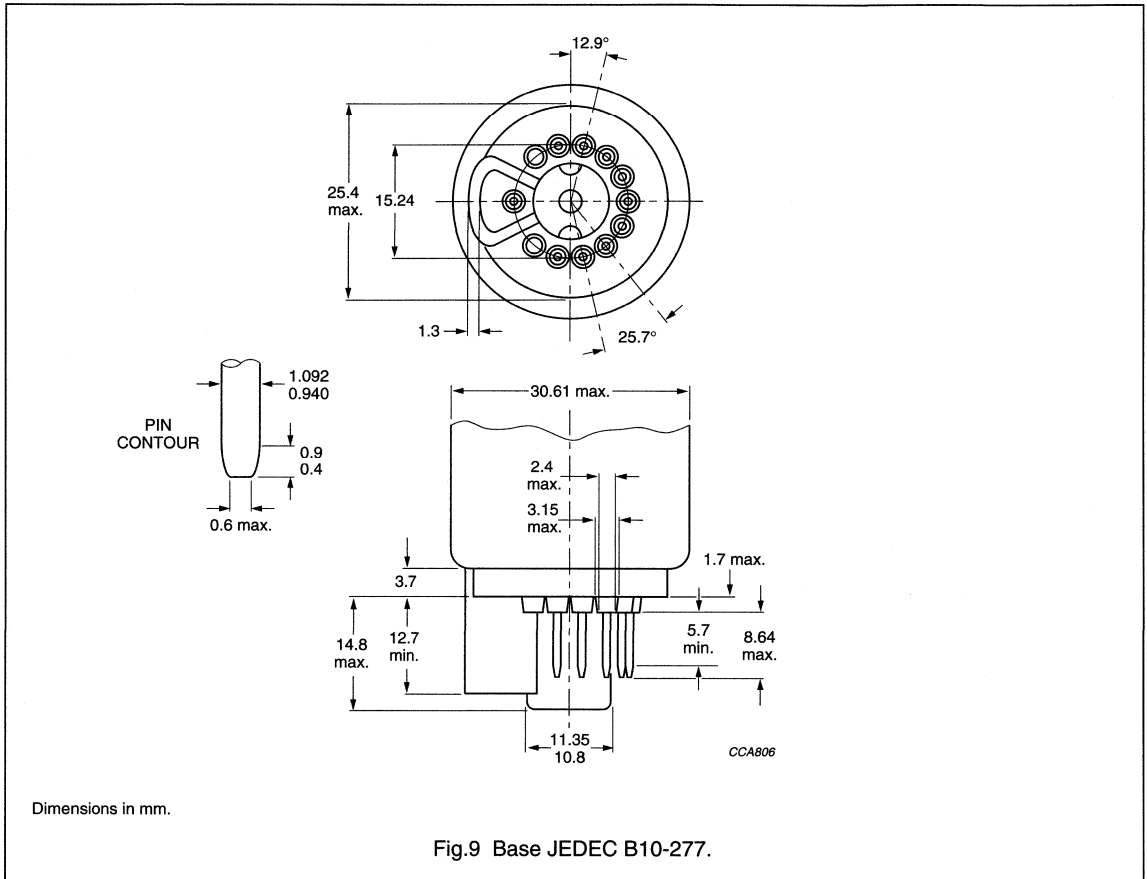


Dimensions in mm.

Fig.8 Lug position.

'Black Line SF' colour picture tube

A59ESF002X



Remarks: to Figs 9 and 10.

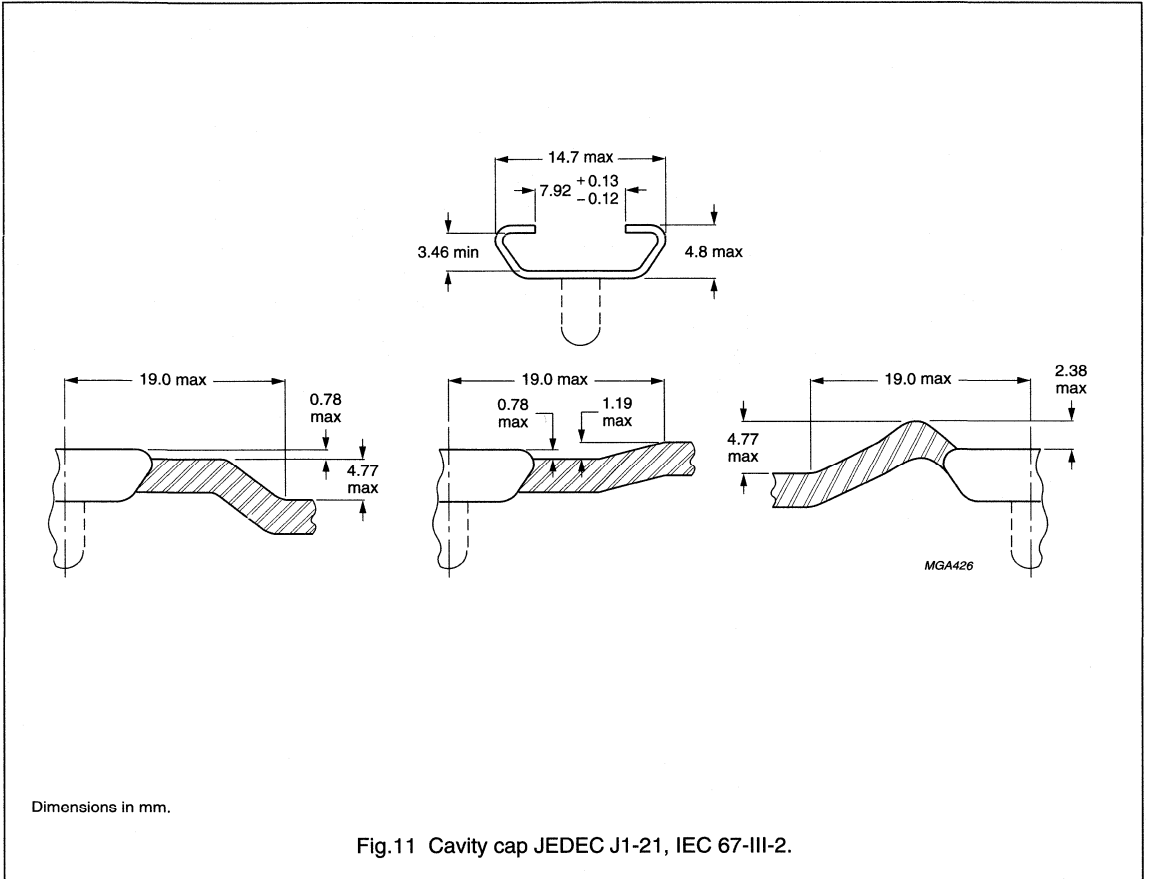
The socket for this base should not be rigidly mounted, it should have flexible leads and be allowed to move freely. After mounting the tube in the cabinet, note that the position of the base can fall within a circle, having a diameter of max. 50 mm concentric with an imaginary tube axis.

The mass of the mounting socket assembly should not exceed 150 g.

Maximum permissible torque on the tube neck is 0.04 Nm.

'Black Line SF' colour picture tube

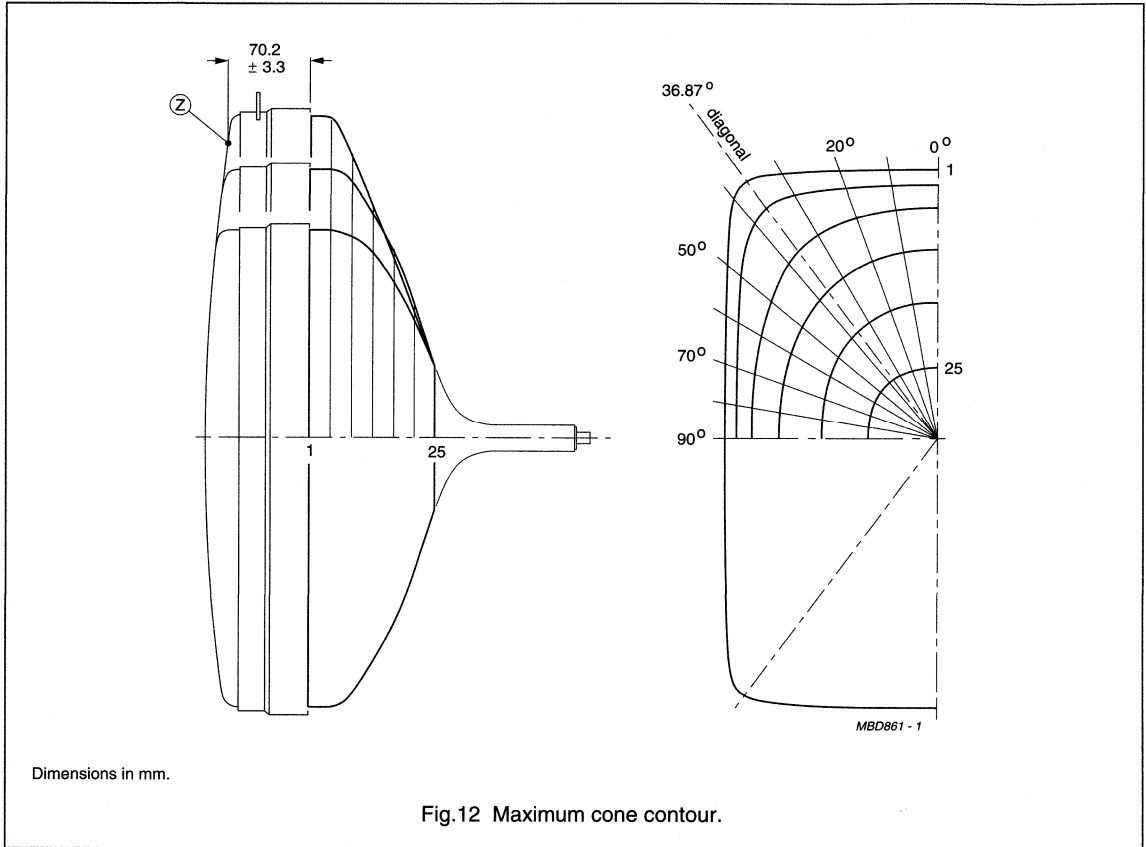
A59ESF002X



'Black Line SF' colour picture tube

A59ESF002X

Cone contour



'Black Line SF' colour picture tube

A59ESF002X

Cone contour data

SECTION	NOMINAL DISTANCE FROM SECTION 1 (mm)	MAXIMUM DISTANCE FROM TUBE AXIS (mm)										
		0°	10°	20°	30°	36.87°	40°	50°	60°	70°	80°	90°
1	0	258.5	262.4	274.5	296.9	314.4	308.5	261.6	232.4	214.7	205.2	202.1
2	5	257.9	261.7	273.8	296.2	313.5	307.2	260.3	231.4	213.8	204.2	201.2
3	10	257.1	260.9	272.9	295.0	311.7	305.4	258.8	230.0	212.5	203.0	200.0
4	15	256.1	259.8	271.7	293.6	308.8	302.7	257.0	228.4	211.0	201.6	198.6
5	20	254.8	258.5	270.2	291.8	304.7	299.0	254.7	226.4	209.2	199.9	196.9
6	25	253.1	256.7	268.2	289.2	299.4	294.0	251.7	223.9	207.0	197.9	194.9
7	30	250.9	254.5	265.6	285.9	293.0	287.8	248.1	221.0	204.5	195.5	192.6
8	35	248.3	251.7	262.4	281.7	285.5	280.6	243.9	217.6	201.5	192.8	190.0
9	40	245.1	248.4	258.6	276.0	277.4	272.8	239.2	213.8	198.2	189.7	187.0
10	45	241.4	244.5	254.1	269.1	268.9	264.5	234.0	209.7	194.6	186.4	183.7
11	50	237.0	239.9	248.9	261.4	260.1	255.9	228.3	205.0	190.6	182.7	180.1
12	55	231.8	234.5	242.8	253.0	250.8	246.9	222.0	199.9	186.1	178.5	176.1
13	60	225.8	228.2	235.7	243.8	241.1	237.5	215.0	194.2	181.2	174.0	171.7
14	65	218.8	221.0	227.7	234.0	231.0	227.5	207.4	188.0	175.7	168.9	166.7
15	70	210.7	212.7	218.7	223.5	220.4	217.1	199.1	181.1	169.5	163.1	161.1
16	75	201.6	203.3	208.6	212.3	209.2	206.2	190.1	173.4	162.7	156.7	154.8
17	80	191.7	193.1	197.6	200.3	197.3	194.6	180.2	165.0	155.2	149.7	147.9
18	85	181.2	182.3	185.7	187.5	184.6	182.1	169.3	155.7	146.9	141.9	140.2
19	90	170.1	170.8	173.0	173.9	171.1	168.8	157.5	145.7	137.8	133.4	131.9
20	95	158.4	158.7	159.6	159.6	156.8	154.7	144.9	134.9	128.2	124.3	123.1
21	100	145.8	145.6	145.3	144.3	141.6	139.8	131.5	123.4	117.9	114.8	113.7
22	105	131.4	131.0	129.8	127.8	125.5	124.0	117.6	111.5	107.4	104.9	104.1
23	110	115.2	114.7	113.2	110.7	108.5	107.3	102.9	99.1	96.5	95.0	94.4
24	115	95.9	95.5	94.4	92.6	91.1	90.3	88.4	86.8	85.6	84.9	84.7
25	120	75.3	75.3	75.2	75.2	75.2	75.1	75.1	75.0	75.0	74.9	74.9

HANDLING

During shipment and handling the tube should not be subjected to acceleration greater than 350 m/s^2 in any direction (at pulse $\leq 10 \text{ ms}$).

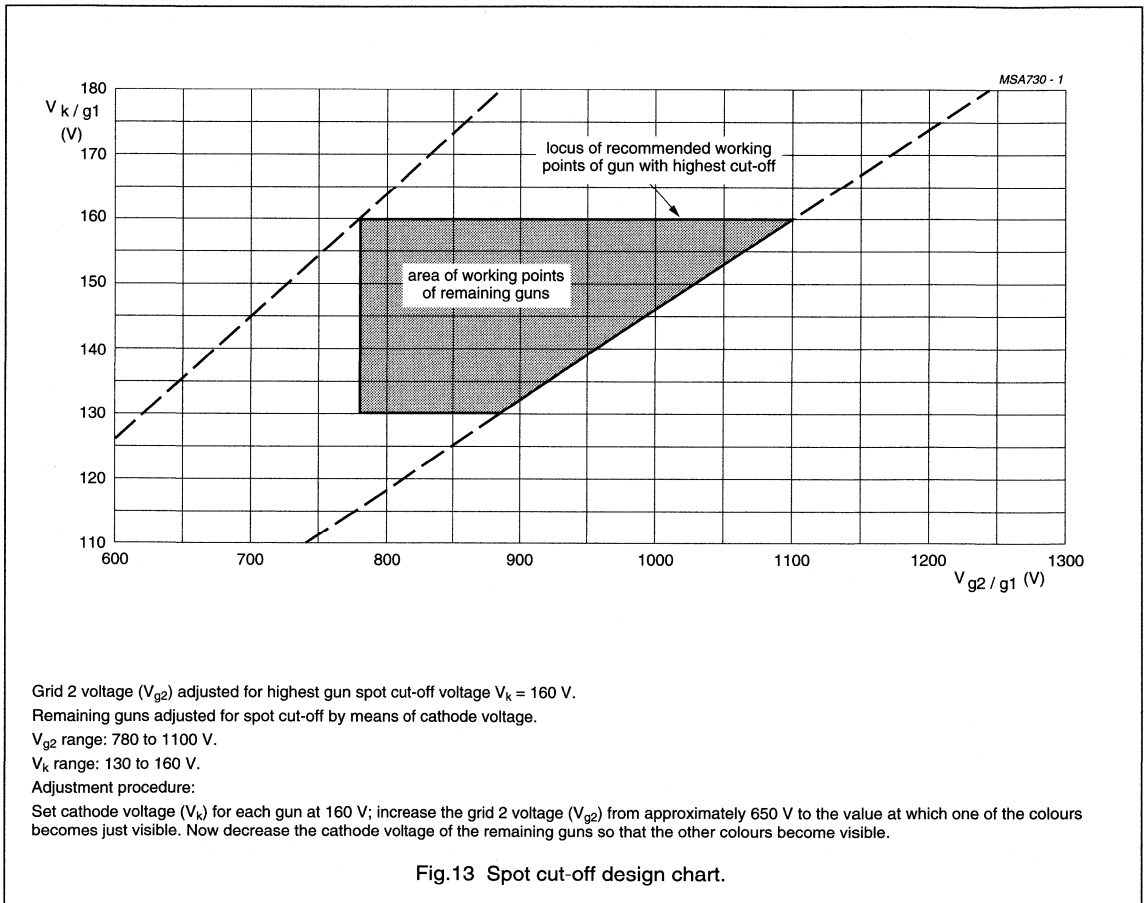
'Black Line SF' colour picture tube

A59ESF002X

OPERATING DATA

The voltages are specified with respect to grid 1.

SYMBOL	PARAMETER	CONDITIONS	MIN.	TYP.	MAX.	UNIT
$V_{a,g4}$	anode voltage	full screen load	–	29.5	–	kV
V_{g3}	grid 3 (focus electrode) voltage		7.5	–	8.6	kV
V_{g2}	grid 2 voltage	for spot cut-off voltage $V_k = 160$ V	780	–	1100	V
V_f	heater voltage	tube operating	5.70	6.15	6.60	V



'Black Line SF' colour picture tube

A59ESF002X

CHASSIS DESIGN VALUES

The values given are valid for anode voltages between 25 and 32 kV. The voltages are specified with respect to grid 1.

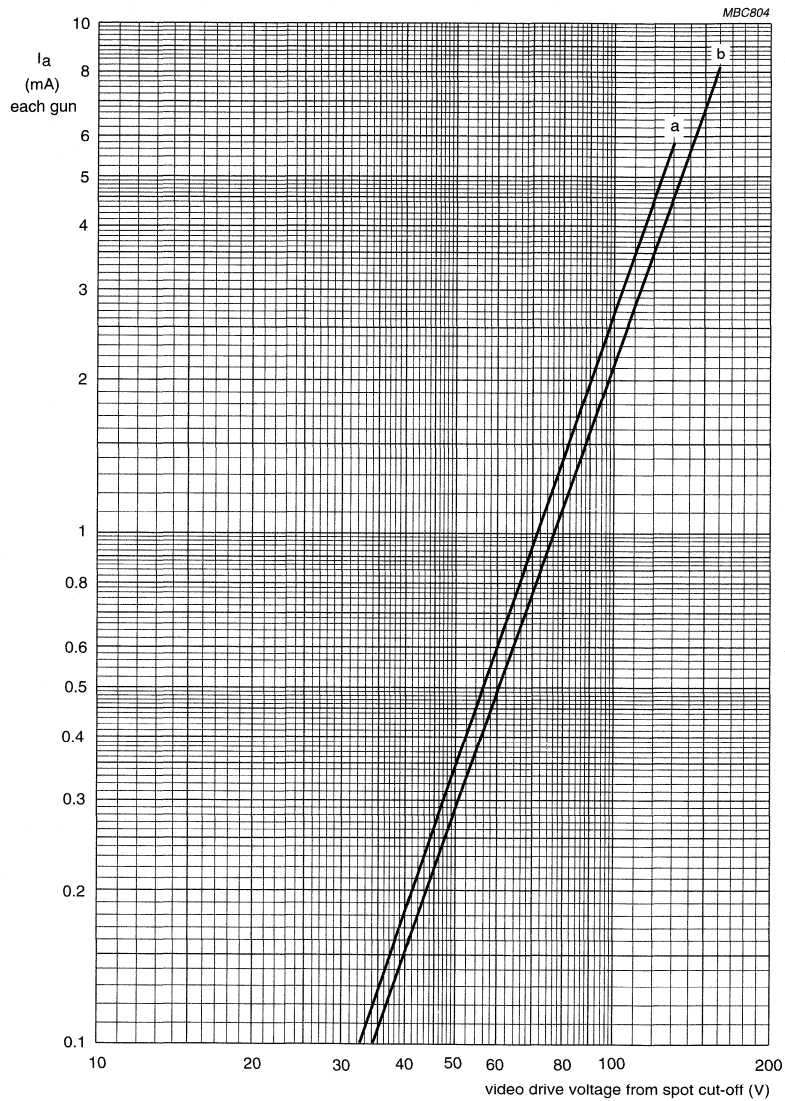
SYMBOL	PARAMETER	CONDITIONS	MIN.	TYP.	MAX.	UNIT
V_{g3}	grid 3 (focus electrode) voltage as a percentage of anode voltage		25.3	–	29.3	%
V_{g2} and V_k	grid 2 voltage and cathode voltage	for visual extinction of focused spot	see Fig.13			
ΔV_k	difference in cut-off voltage between guns in any tube		lowest value >80% of highest value			
V_f	heater voltage	at average beam current	5.70	6.15	6.60	V
	video drive characteristics		note 1 and Fig.14			
I_{g3}	grid 3 (focus electrode) current		–2	–	+2	μA
I_{g2}	grid 2 current		–2	–	+2	μA
I_{g1}	grid 1 current	under cut-off conditions	–2	–	+2	μA
R_{ins}	insulation resistance	each cathode to grid 1 and/or heater	50	–	–	$\text{M}\Omega$
Anode currents to produce white of 6500 K + 7 MPCD (CIE coordinates: x = 0.313; y = 0.329)						
PERCENTAGE OF THE TOTAL ANODE CURRENT SUPPLIED BY EACH GUN (TYPICAL)						
	red gun		–	41.3	–	%
	green gun		–	34.4	–	%
	blue gun		–	24.3	–	%
RATIO OF ANODE CURRENTS						
	red gun to green gun		1.00	1.20	1.40	
	red gun to blue gun		1.40	1.70	2.00	
	blue gun to green gun		0.59	0.70	0.83	

Note

- For optimum picture performance it is recommended that the cathodes are not driven below +1 V.

'Black Line SF' colour picture tube

A59ESF002X



$V_f = 6.15$ V.

$V_{a,g4} = 29.5$ kV.

V_{g3} adjusted for focus.

V_{g2} (each gun) adjusted to provide spot cut-off for $V_k = 130$ V (curve a) and $V_k = 160$ V (curve b).

Fig.14 Typical cathode drive characteristics.

'Black Line SF' colour picture tube

A59ESF002X

LIMITING VALUES

In accordance with the Absolute Maximum Rating System (IEC 134). The voltages are specified with respect to grid 1.

SYMBOL	PARAMETER	CONDITIONS	MIN.	MAX.	UNIT
V_a	anode voltage	note 1	25 ⁽²⁾	36 ⁽³⁾	kV
I_a	long-term average current for three guns	note 4	–	1300	μ A
V_{g3}	grid 3 (focus electrode) voltage	note 5	–	12	kV
V_{g2}	grid 2 voltage (peak value)	note 6	–	1400	V
V_f	heater voltage	note 7	5.7	6.6	V
Cathode voltage					
V_k	positive operating		–	250	V
V_k	during switch-off		–	250	V
V_k	positive operating cut-off		–	200	V
V_k	negative		–	0	V
V_{kp}	negative peak		–	–2	V
Cathode to heater voltage					
V_{kf}	positive		–	250	V
V_{kfp}	positive peak		–	300	V
V_{kf}	negative		–	0	V
V_{kfp}	negative peak		–	–50	V
Circuit values					
R_{g3}	grid 3 circuit resistance		–	70	M Ω
R_{g1k}	grid 1 to cathode circuit resistance (each gun)		–	750	k Ω

Notes

1. During adjustment on the production line this value is likely to be surpassed considerably. It is therefore strongly recommended to first make the necessary adjustments for normal operation without the picture tube.
2. Operation of the tube at lower voltages impairs the luminance and resolution and may impair the convergence.
3. This value is an absolute maximum.
4. The short-term average anode current should be limited by circuitry to 1800 μ A.
5. During flashover conditions maximum 20 kV is allowed (see Chapter "Flashover protection").
6. During adjustment on the production line maximum 1500 V is permitted.
7. For maximum cathode life and optimum performance it is recommended that the heater supply is designed for 6.15 V at average beam current, for most applications this equals 6.3 V at zero beam current. **The heater supply source impedance must not be less than 2 Ω .**

BEAM CENTRING

Maximum centring error in any direction is 3.5 mm.

'Black Line SF' colour picture tube

A59ESF002X

FLASHOVER PROTECTION

With the high voltage used with this tube (max. 34 kV) internal flashovers may occur. As a result of Soft-flash technology these flashover currents are limited to approximately 60 A offering higher reliability, optimum circuit protection and component savings.

Primary protective circuitry using properly grounded spark gaps and series isolation resistors (preferably carbon composition) is still necessary to prevent tube damage.

The spark gaps should be connected to all picture tube electrodes at the socket in accordance with Fig.15; they are not required on the heater pins. No other connections between the outer conductive coating and the chassis are permissible. The spark gaps should be designed for a breakdown voltage at the focus electrode (g3) of approximately 19 to 20 kV and at the other electrodes of 2 kV at the lowest operating atmospheric pressure.

The values of the series isolation resistors should be as high as possible (min. 0.5 k Ω) without causing deterioration of the circuit performance. The resistors should be able to withstand an instantaneous surge of 20 kV for the focusing circuit and 12 kV for the remaining circuits without arcing.

To guarantee the soft flash behaviour, the internal dynamic resistance of the tube during flashover is a minimum 400 Ω and a maximum 800 Ω .

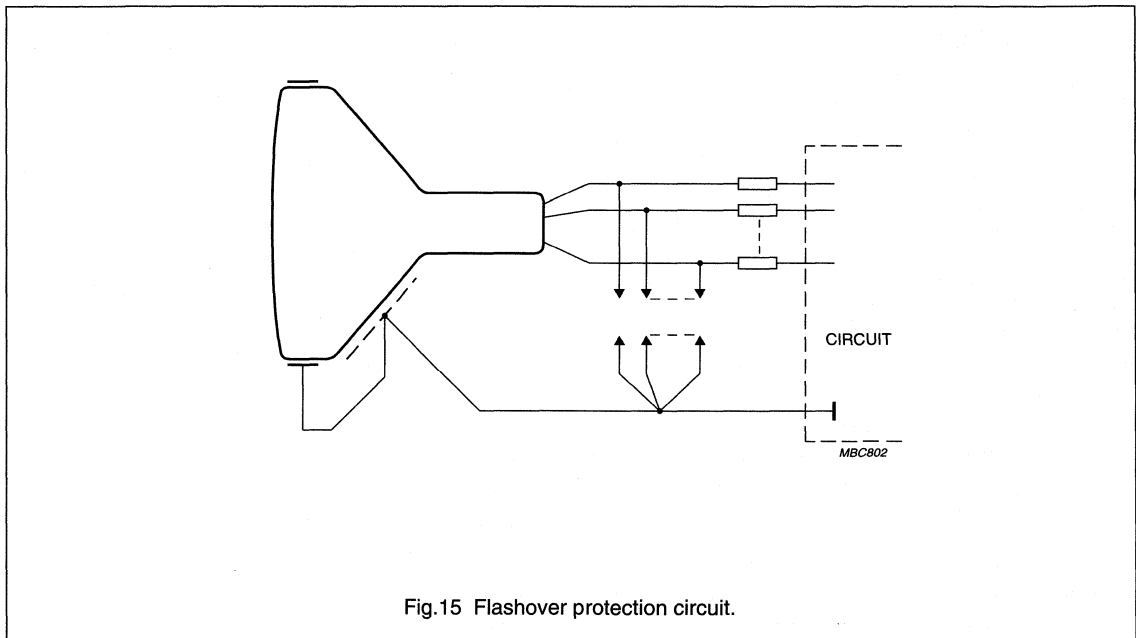


Fig.15 Flashover protection circuit.

'Black Line SF' colour picture tube

A59ESF002X

X-RADIATION

Maximum anode voltage at which the X-radiation emitted will not exceed 0.5 mR/h at an anode current of 300 μ A.

PARAMETER	VALUE
Entire tube; note 1	40.8 kV
Face-plate only	40.3 kV

Note

1. This rating applies only if the anode connector used by the set maker provides the necessary attenuation to reduce the X-radiation from the anode contact by a factor equal to the difference between the anode button iso-exposure-rate limit curve and the iso-exposure-rate limit curve for the entire tube.

WARNING

If the value for the tube face only is used as design criteria, adequate shielding must be provided in the TV receiver for the anode contact and/or certain portions of the tube funnel and panel sidewalls to ensure that the X-radiation from the TV receiver is attenuated to a value equal to or lower than that specified for the face of the tube.

The X-radiation emitted from this picture tube, as measured in accordance with the procedure of "JEDEC Publications No.64D" will not exceed 0.5 mR/h throughout the useful life of the tube when operated within the design-maximum ratings.

The tube should not be operated beyond its design-maximum ratings stated above, but its X-radiation will not exceed 0.5 mR/h for anode voltage and current combinations given by the iso-exposure-rate limit characteristics as shown in Fig.17.

Operation above the values shown by the curve may result in failure of the TV receiver to comply with the "Federal Performance Standard of the U.S. for Television Receivers, Section 1020.10 of Part 1020 of Title 21, Code of Federal Regulation".

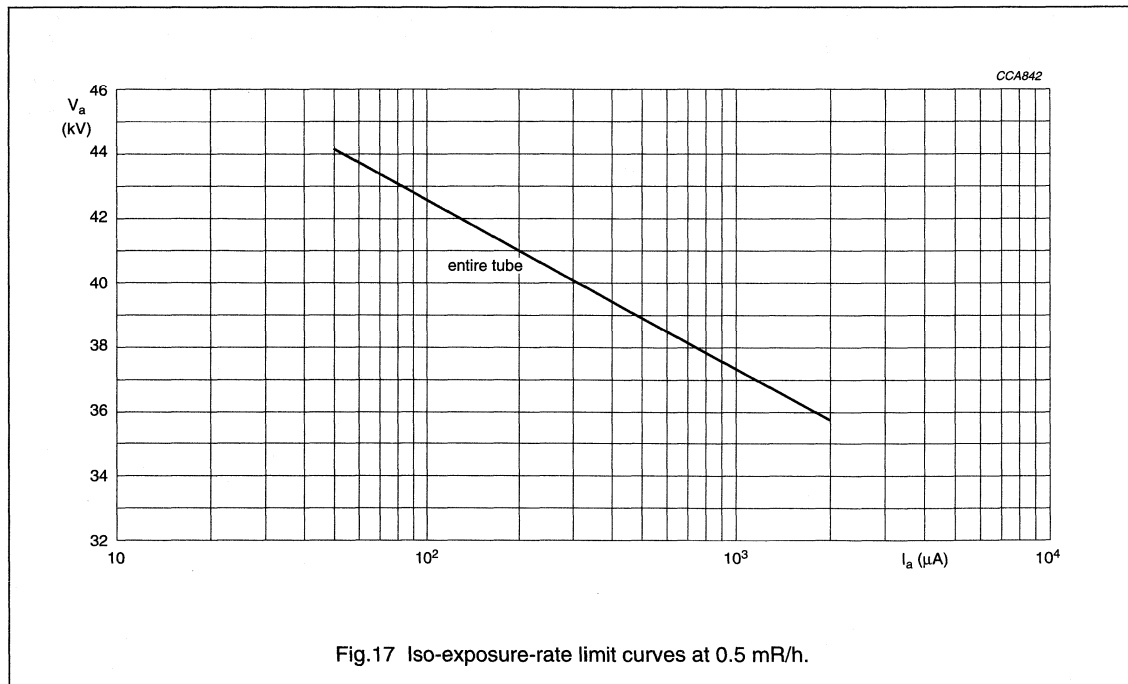
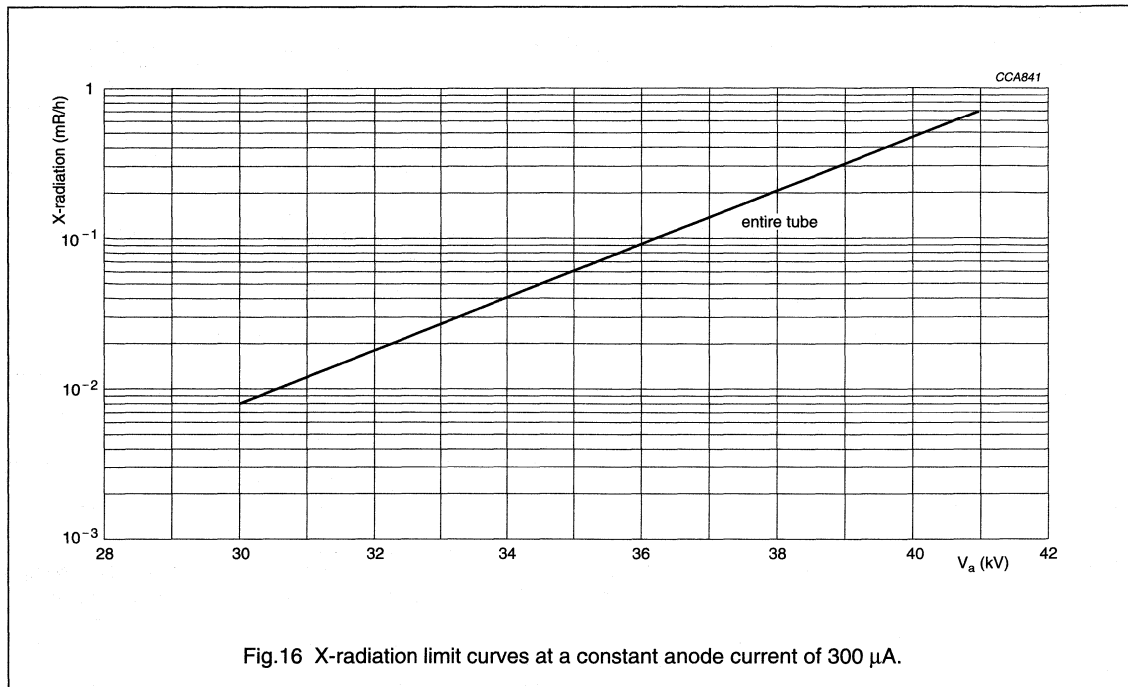
Maximum X-radiation as a function of anode voltage at 300 μ A current is shown by Fig.16. X-radiation at a constant anode voltage varies linearly with anode current.

WARNING

The cathode ray tube is intrinsically safe in accordance with "Appendix III Röntgenverordnung".
Eigensichere Kathodenstrahlröhre nach "Anlage III Röntgenverordnung".

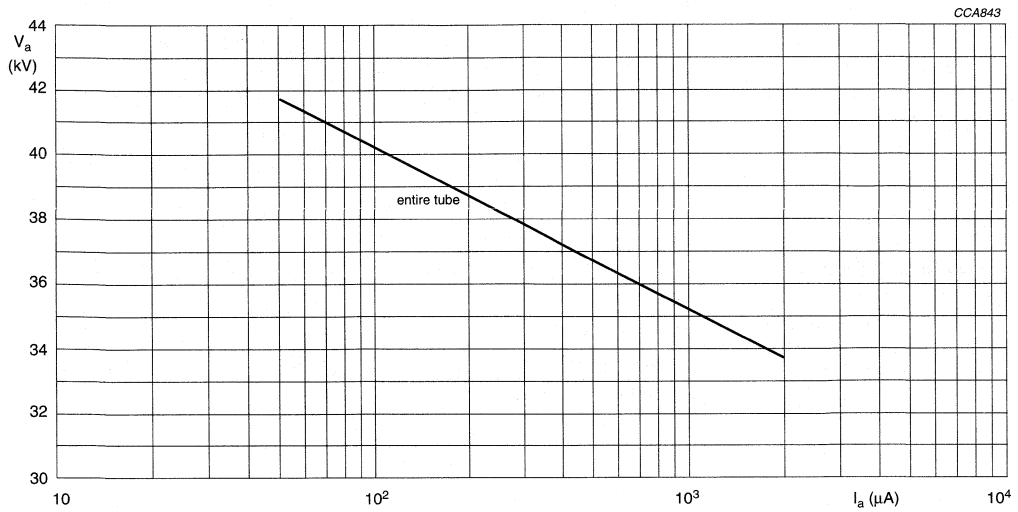
'Black Line SF' colour picture tube

A59ESF002X



'Black Line SF' colour picture tube

A59ESF002X



The tube does not emit X-radiation above 1 μSv/h when operated at 33 kV and 1.8 mA. The X-radiation emitted will also not exceed 1 μSv/h for anode voltage and current combinations shown in the iso-exposure-rate limit curve.

Fig.18 1 μSv/h iso-exposure-rate limit curve.

'Black Line SF' colour picture tube

A59ESF002X

DEGAUSSING

The picture tube is provided with an internal magnetic shield. This shield and the shadow mask with its suspension system may be provided with an automatic degaussing system, consisting of two coil windings mounted on the cone of the picture tube.

For proper degaussing an initial magnetomotive force (MMF) of 400 ampere-turns is required in each coil. This MMF has to be gradually decreased using appropriate degaussing circuitry. In the steady state, no significant MMF should remain in the coils (≤ 0.15 ampere-turns).

To prevent beam landing disturbances by line-frequency currents induced in the degaussing coils, these coils should be shunted by a capacitor of sufficiently high value.

If single-phase power rectification is employed in the TV circuitry, provision should be included to prevent asymmetric distortion of the AC voltage applied to the

degaussing circuit due to high DC inrush currents.

In principle, degaussing should be carried out during the 'off' scanning period (especially, the vertical scanning should be 'off'). If degaussing is attempted during 'on'

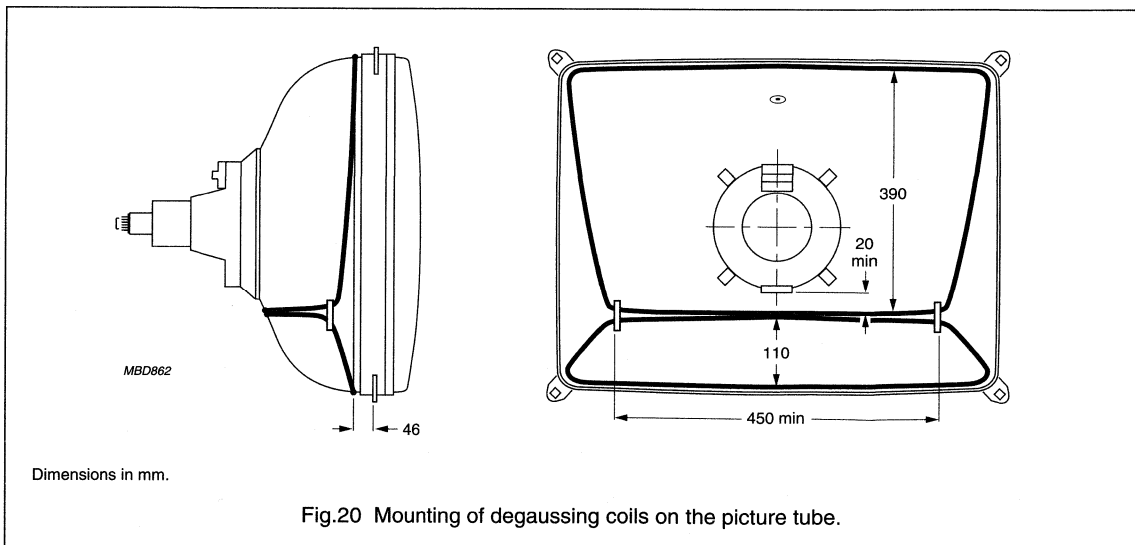
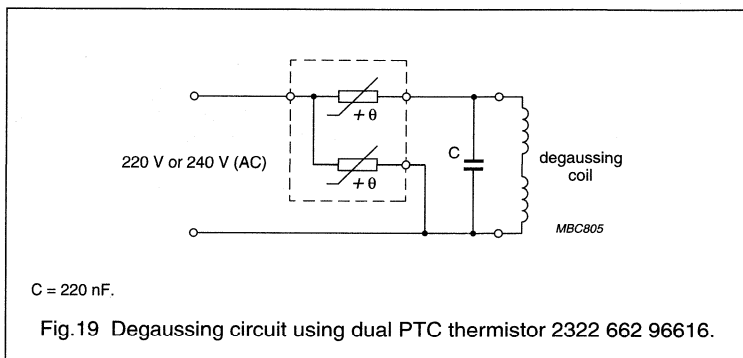
scanning condition, beam register of the tube may be affected.

An example of a degaussing circuit and coil data is given in Fig.19 and Table "Degaussing coil data".

To ease mounting the coils, the rimband is provided with slots.

Degaussing coil data

PARAMETER	TYP.	UNIT
Circumference	276	cm
Number of turns	70	
Copper wire diameter	0.45	mm
Resistance	22	Ω



'Black Line SF'
colour picture tube assembly

A59ESF002X11

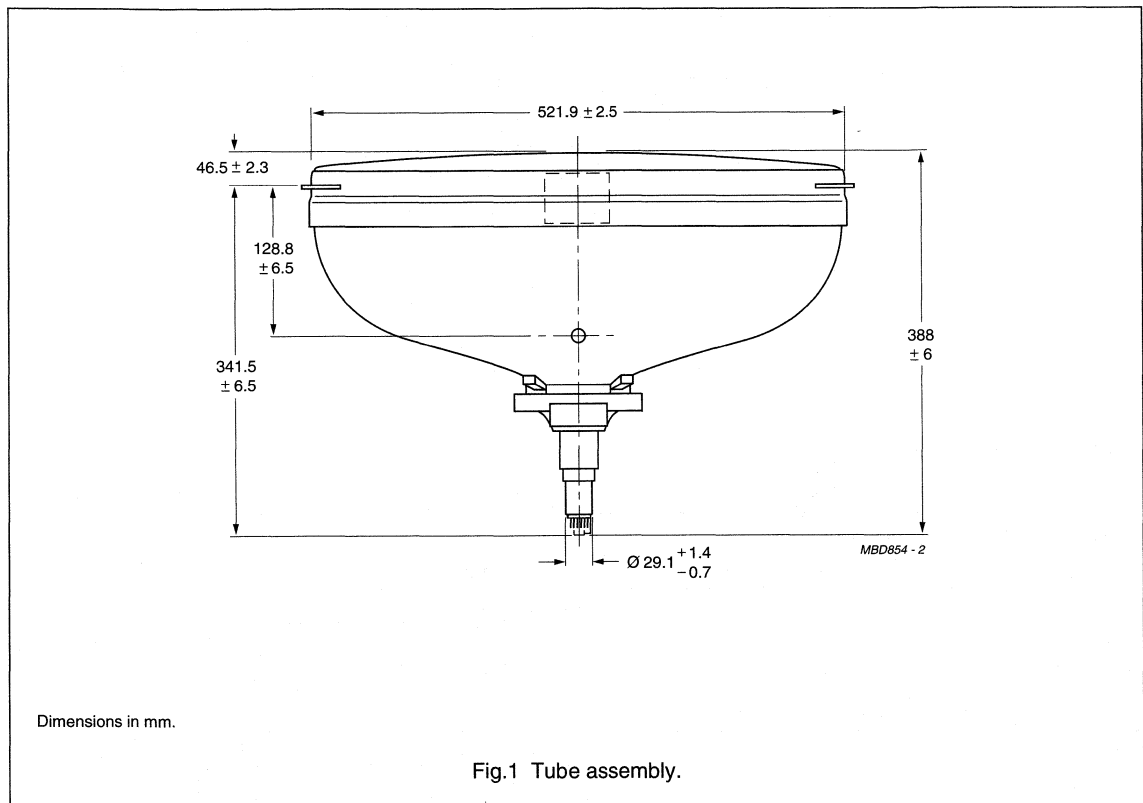
FEATURES

- Factory preset tube/coil assembly
- 59 cm, 110° colour picture tube A59ESF002X
- Double saddle deflection unit
- Scan Velocity Modulation (SVM) for improved picture sharpness.

QUICK REFERENCE DATA

PARAMETER	TYP.	UNIT
Deflection angle	110	deg
Useful screen diagonal	59	cm
Overall length	39	cm
Neck diameter	29.1	mm
Anode voltage	29.5	kV
Mass	≈20	kg

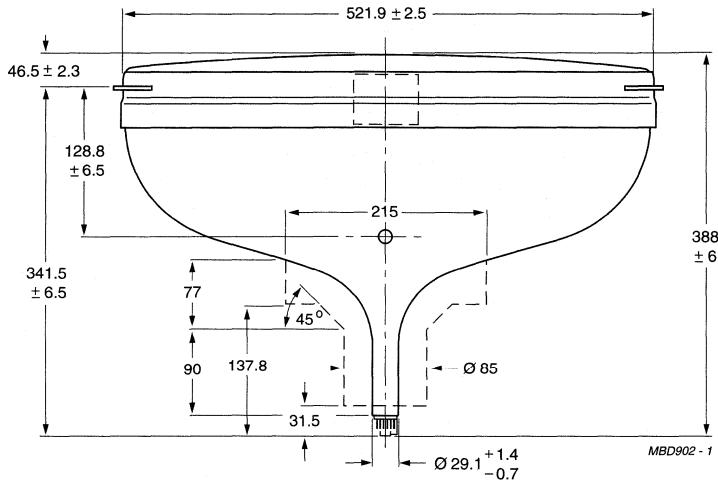
MECHANICAL DATA



Black Line SF

'Black Line SF'
colour picture tube assembly

A59ESF002X11



Dimensions in mm.

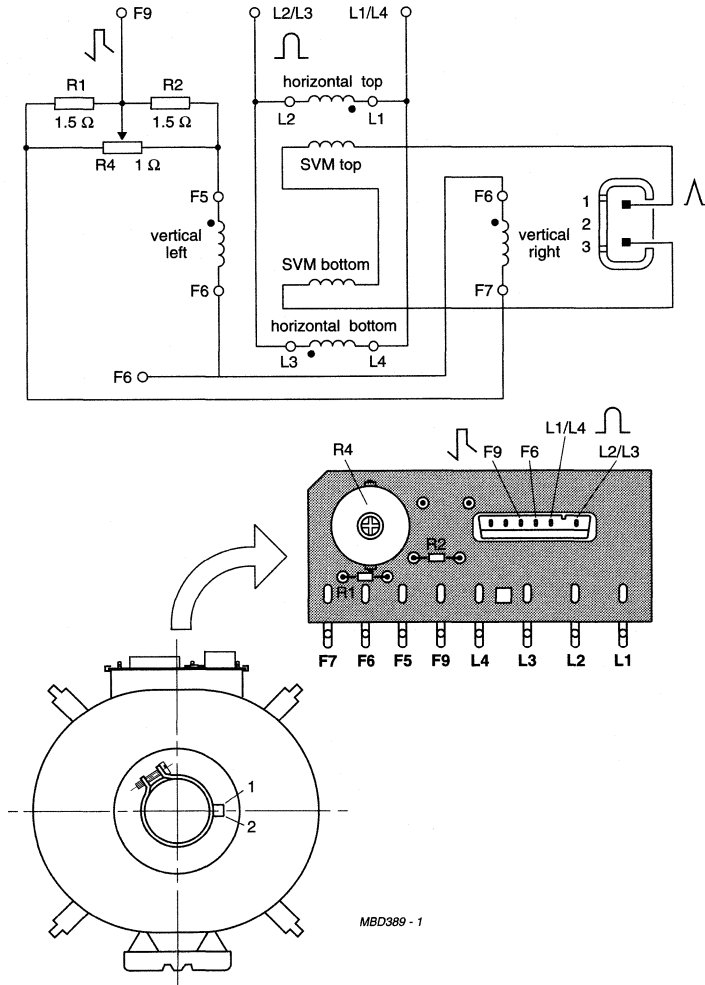
Fig.2 Yoke clearance; top view.

DEFLECTION COIL DATA

PARAMETER	CONDITIONS	VALUE	UNIT
Horizontal coils, parallel connected			
Inductance	1 V (RMS); 1 kHz	1.25	mH
Resistance	T _{amb} = 25 °C	1.4	Ω
Magnetic flux		7.3 ±5%	mWb
Horizontal deflection current (peak-to-peak value)	edge-to-edge; V _a = 29.5 kV	5.6	A
Vertical coils, series connected			
Inductance	1 V (RMS); 1 kHz	6.5	mH
Resistance	T _{amb} = 25 °C	5.9	Ω
Vertical deflection current (peak-to-peak value)	edge-to-edge; V _a = 29.5 kV	2.2	A
SVM coil			
Inductance	1 V (RMS); 1 kHz	7.5	μH
Resistance	T _{amb} = 25 °C	1.6	Ω
Sensitivity in X-direction	at screen centre	1.9	mm/A

'Black Line SF'
colour picture tube assembly

A59ESF002X11



MBD389 - 1

The beginning of the windings is indicated with •

Fig.3 Deflection coil connections.

'Black Line SF' colour picture tube assembly

A59ESF002X43

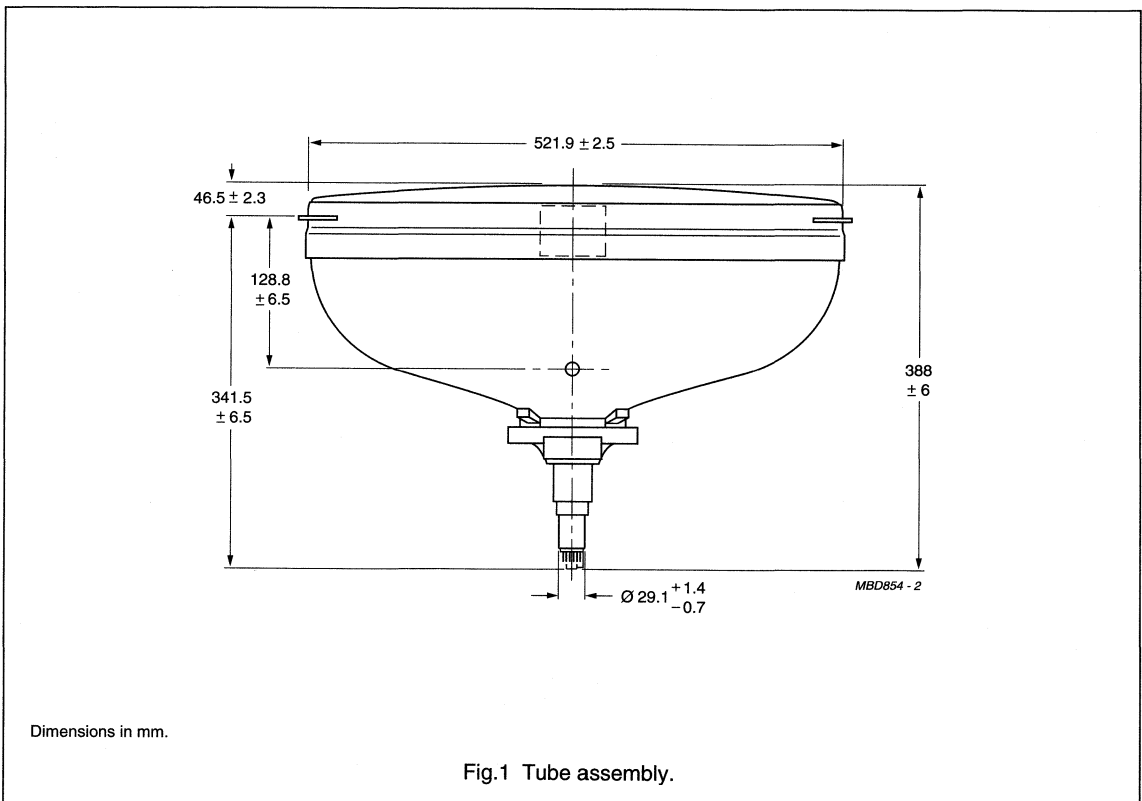
FEATURES

- 100 Hz vertical repetition
- Factory preset tube/coil assembly
- Self-converging
- 59 cm, 110° colour picture tube A59ESF002X
- Double saddle deflection unit
- Scan Velocity Modulation (SVM) for improved picture sharpness.

QUICK REFERENCE DATA

PARAMETER	TYP.	UNIT
Deflection angle	110	deg
Useful screen diagonal	59	cm
Overall length	39	cm
Neck diameter	29.1	mm
Anode voltage	29.5	kV
Mass	≈20	kg

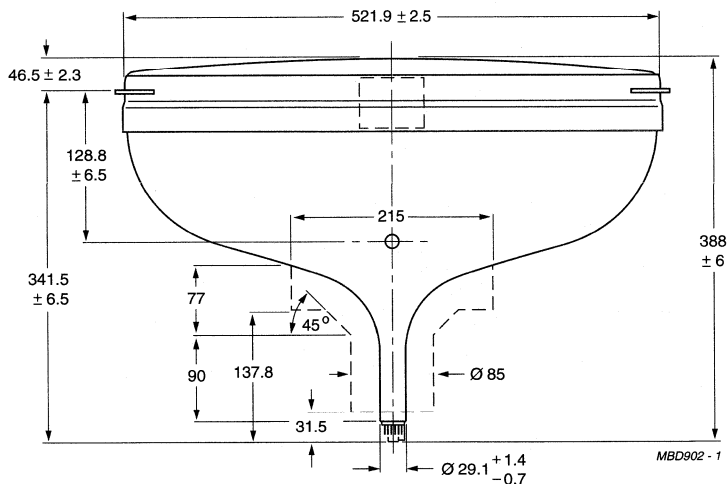
MECHANICAL DATA



Black Line SF

'Black Line SF'
colour picture tube assembly

A59ESF002X43



Dimensions in mm.

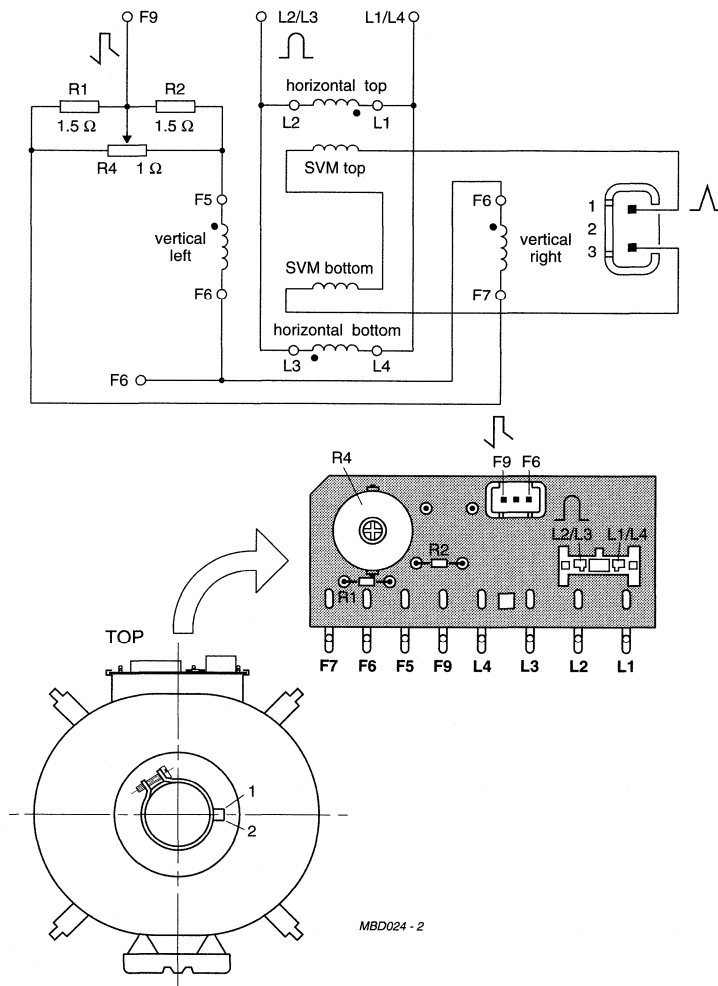
Fig.2 Yoke clearance.

DEFLECTION COIL DATA

PARAMETER	CONDITIONS	TYP.	UNIT
Horizontal coils, parallel connected			
Inductance	1 V (RMS); 1 kHz	0.32	mH
Resistance	$T_{amb} = 25\text{ }^{\circ}\text{C}$	0.4	Ω
Magnetic flux		$3.6 \pm 5\%$	mWb
Horizontal deflection current (peak-to-peak value)	edge-to-edge; $V_a = 29.5\text{ kV}$	11.5	A
Vertical coils, series connected			
Inductance	1 V (RMS); 1 kHz	5.4	mH
Resistance	$T_{amb} = 25\text{ }^{\circ}\text{C}$	4.8	Ω
Vertical deflection current (peak-to-peak value)	edge-to-edge; $V_a = 29.5\text{ kV}$	2.4	A
SVM coil			
Inductance	1 V (RMS); 1 kHz	2.4	μH
Resistance	$T_{amb} = 25\text{ }^{\circ}\text{C}$	0.8	Ω
Sensitivity in X-direction	at screen centre	1.0	mm/A

'Black Line SF'
colour picture tube assembly

A59ESF002X43



The beginning of the windings is indicated with •

Fig.3 Deflection coil connections.

'Black Standard' colour picture tube**A66EAK071X****FEATURES**

- 'Flatter' and 'squarer' screen
- In-line, hi-bi potential ART (Aberration Reducing Triode) gun with quadrupole cathode lens
- Mask with corner suspension
- BLACK MATRIX technology
- HIGH GLOSS screen finish
- Cd-free phosphors
 - Pigmented deep red
 - Sulphide green
 - Pigmented sulphide blue
- Quick-heating low-power cathodes
- Slotted shadow mask optimized for minimum moiré at 525 and 625 line systems
- Internal magnetic shield
- Internal multipole.

QUICK REFERENCE DATA

PARAMETER	TYP.	UNIT
Deflection angle	110	deg
Useful screen diagonal	66	cm
Overall length	42	cm
Glass transmission	44	%
Neck diameter	29.1	mm
Heater voltage	6.15	V
Heater current	315	mA
Anode voltage	25	kV
Focus voltage	31% of anode voltage	

Black Standard

'Black Standard' colour picture tube

A66EAK071X

ELECTRICAL DATA

SYMBOL	PARAMETER	MIN.	TYP.	UNIT
Capacitances				
$C_{a(m+m')}$	anode to external conductive coating, including rimband	2000	–	pF
$C_{am'}$	anode to metal rimband	–	300	pF
C_k	cathodes of all guns (connected in parallel) to all other electrodes	–	15	pF
C_{kR}, C_{kG}, C_{kB}	cathode of any gun to all other electrodes	–	5	pF
C_{g1}	grid 1 to all other electrodes	–	17	pF
C_{g2}	grid 2 to all other electrodes	–	4.5	pF
C_{g3}	grid 3 (focusing electrode) to all other electrodes	–	6	pF
Heating				
V_f	heater voltage at average beam current: indirect AC (preferably mains or horizontal frequency) or DC	–	6.15	V
I_f	heater current	–	315	mA
Resistance				
R_{rim}	resistance between rimband and external conductive coating	50	–	MΩ

ELECTRO-OPTICAL DATA

PARAMETER	VALUE
Electron gun system	unitized triple-aperture electrodes; aberration reducing triode
Focus method	electrostatic
Focus lens	hi-bi potential
Deflection method	magnetic
Deflection angles	
diagonal	110°
vertical	97°
horizontal	77°

'Black Standard' colour picture tube

A66EAK071X

OPTICAL DATA

PARAMETER	VALUE
Matrix	black opaque material, PVP technology
Screen	metal-backed vertical phosphor stripes
Screen finish	high gloss
Nominal useful screen dimensions	
diagonal axis	661.0 mm
vertical axis	406.0 mm
horizontal axis	535.0 mm
area	2175 cm ²
Phosphor alignment	see Fig.1
Phosphors	
red	pigmented europium activated rare earth
green	Cd-free sulphide type
blue	pigmented sulphide type
Persistence	medium short
Centre-to-centre distance of identical colour phosphor stripes at centre of screen	≈0.8 mm
Light transmission of face glass at screen centre	44%
Luminance at centre of screen; note 1	78 cd/m ²

Note

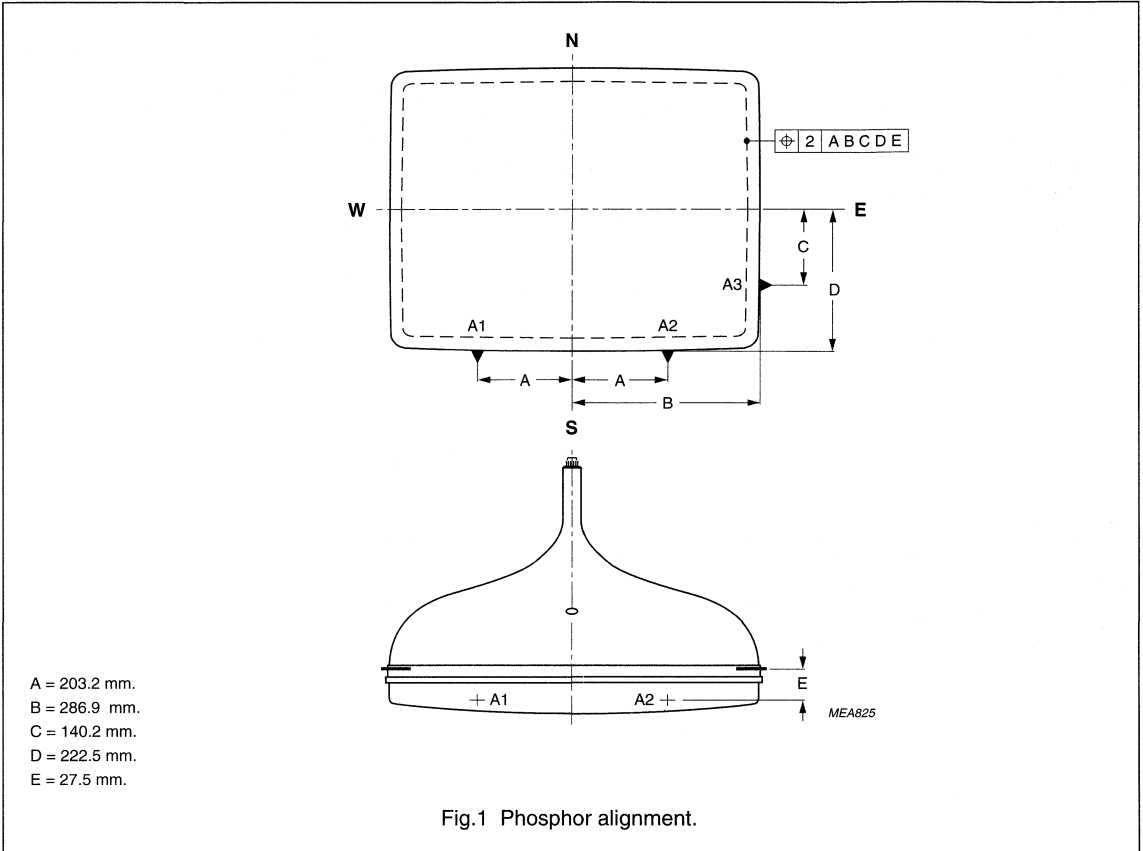
1. Tube settings adjusted to produce white D ($x = 0.313$, $y = 0.329$), focused raster, current density $0.4 \mu\text{A}/\text{cm}^2$, $V_a = 25 \text{ kV}$.

Colour coordinates

COLOUR	x	y
Red	0.630	0.330
Green	0.295	0.595
Blue	0.155	0.065

'Black Standard' colour picture tube

A66EAK071X



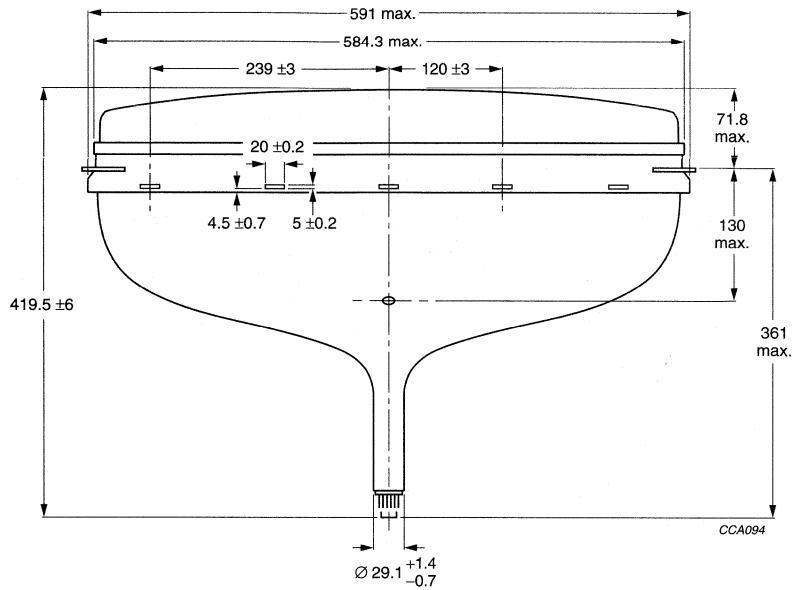
MECHANICAL DATA

See Figs 2 to 12.

PARAMETER	VALUE
Base	Base JEDEC B10-277
Anode contact	small cavity contact JEDEC J1-21; IEC 67-III-2
Mounting position	anode contact on top
Implosion protection	shrunk-on rimband
Mass including deflection unit	≈24 kg

'Black Standard' colour picture tube

A66EAK071X

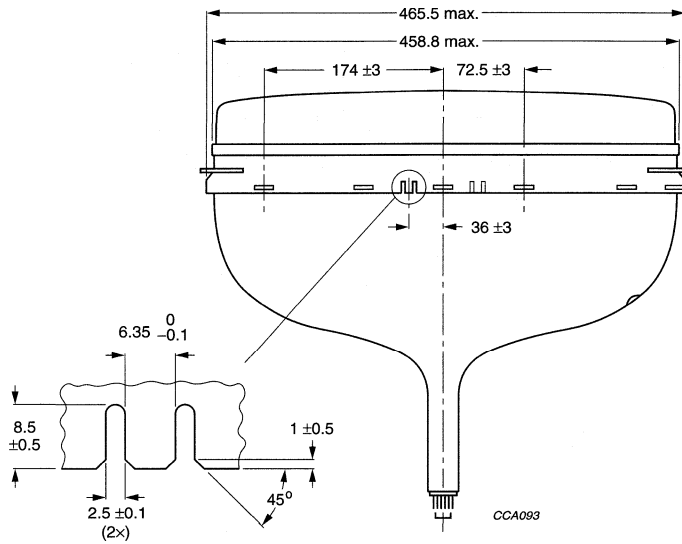


Dimensions in mm.

Fig.2 Tube dimensions; top view.

'Black Standard' colour picture tube

A66EAK071X

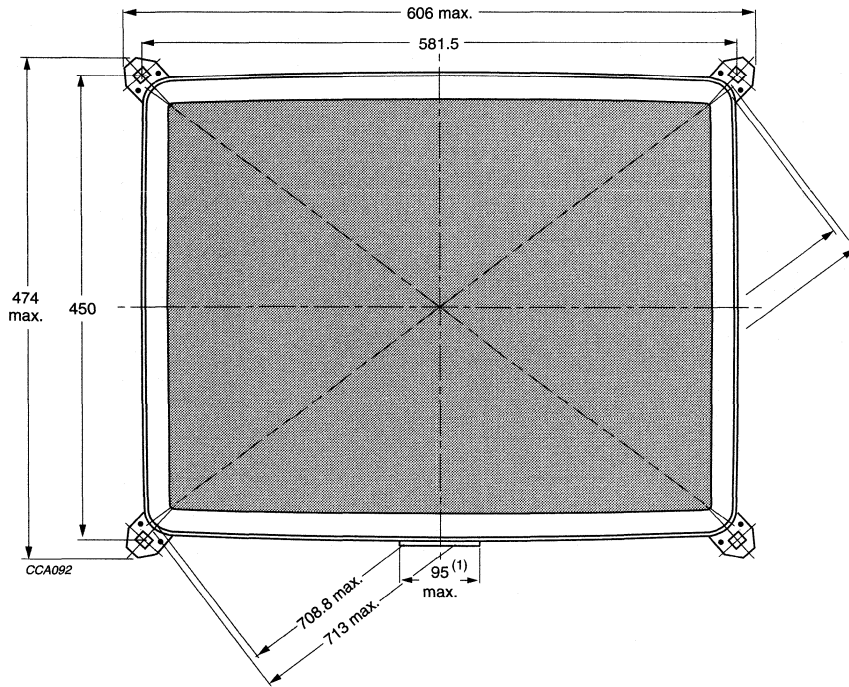


Dimensions in mm.

Fig.3 Tube dimensions; side view.

'Black Standard' colour picture tube

A66EAK071X

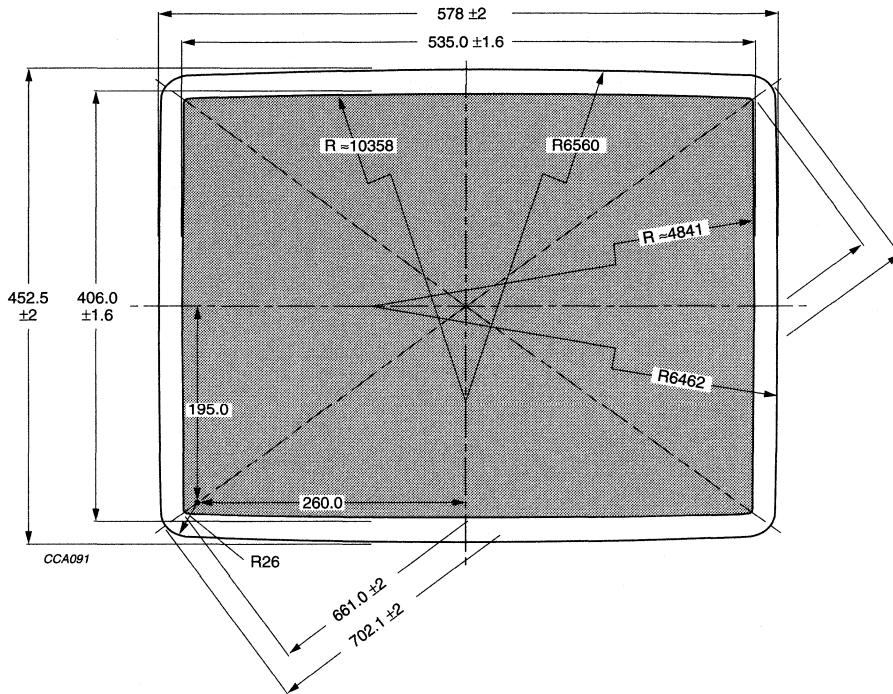


Dimensions in mm.
(1) Location of fishplate.

Fig.4 Tube dimensions; front view.

'Black Standard' colour picture tube

A66EAK071X

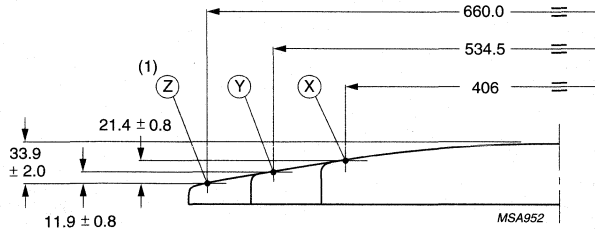


Dimensions in mm.

Fig.5 Phosphor and screen dimensions.

'Black Standard' colour picture tube

A66EAK071X



Dimensions in mm.

(1) Coordinates of Z-point: X = 264, Y = 198.

The X, Y and Z reference points are located on the outside surface of the face plate at the intersection of the minor, major and diagonal screen axis respectively.

The distance Z from any point on the screen to the centre can be calculated using the following formula:

$$R = \sqrt{X^2 + Y^2}$$

$$R1 = 1688.40$$

$$XB = XA - \frac{R2 \times XA}{R1}$$

$$R2 = 1568.29$$

$$XA = 93.62 \text{ (transition)}$$

$$ZA = R1 - \sqrt{R1^2 - XA^2}$$

$$ZB = R1 - R2 - ZC$$

$$ZC = \frac{(R1 - ZA) \times XB}{XA}$$

$$\text{If } R < XA \text{ then } Z = R1 - \sqrt{R1^2 - R^2}$$

$$\text{else } Z = ZB + R2 - \sqrt{R2^2 - (R - XB)^2}$$

Fig.6 Screen reference points.

'Black Standard' colour picture tube

A66EAK071X

Sagittal heights with reference to screen centre at edge of the nominal useful screen

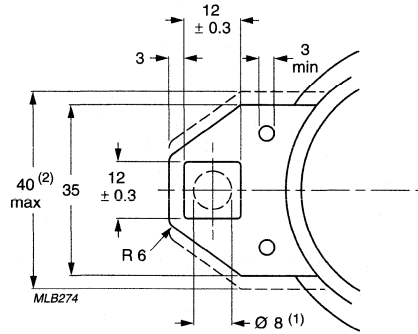
NOMINAL USEFUL SCREEN (NUS)			3 mm INSIDE NUS			10 mm OUTSIDE NUS		
COORDINATES		SAGITTAL HEIGHT (mm)	COORDINATES		SAGITTAL HEIGHT (mm)	COORDINATES		SAGITTAL HEIGHT (mm)
X (mm)	Y (mm)		X (mm)	Y (mm)		X (mm)	Y (mm)	
0.0 ⁽¹⁾	203.0	12.5	0.0	200.0	12.2	0.0	213.0	13.8
20.0	203.0	12.7	20.0	200.0	12.3	20.0	213.0	13.9
40.0	202.9	13.0	40.0	199.9	12.6	40.0	212.9	14.3
60.0	202.8	13.6	60.0	199.8	13.3	60.0	212.8	14.9
80.0	202.7	14.5	80.0	199.7	14.1	80.0	212.7	15.8
100.0	202.5	15.6	100.0	199.5	15.2	100.0	212.5	16.9
120.0	202.3	16.9	120.0	199.3	16.6	120.0	212.3	18.2
140.0	202.1	18.5	140.0	199.1	18.2	140.0	212.1	19.8
160.0	201.8	20.4	160.0	198.8	20.0	160.0	211.8	21.7
180.0	201.4	22.5	180.0	198.4	22.1	180.0	211.4	23.8
200.0	201.1	24.8	200.0	198.1	24.5	200.0	211.1	26.1
220.0	200.7	27.4	220.0	197.7	27.1	220.0	210.7	28.8
240.0	200.2	30.3	240.0	197.2	29.9	240.0	210.2	31.6
260.0	199.7	33.4	260.0	196.7	33.1	260.0	209.7	34.7
263.4 ⁽²⁾	199.7	34.0	260.5	196.7	33.1	273.0	209.4	36.9
—	—	—	—	—	—	273.4	200.0	35.7
264.2	180.0	31.7	261.2	180.0	31.2	274.2	180.0	33.5
264.9	160.0	29.7	261.9	160.0	29.2	274.9	160.0	31.4
265.5	140.0	27.9	262.5	140.0	27.4	275.5	140.0	29.6
266.0	120.0	26.3	263.0	120.0	25.8	276.0	120.0	28.1
266.5	100.0	25.0	263.5	100.0	24.5	276.5	100.0	26.7
266.8	80.0	23.9	263.8	80.0	23.4	276.8	80.0	25.7
267.1	60.0	23.1	264.1	60.0	22.6	277.1	60.0	24.8
267.3	40.0	22.5	264.3	40.0	22.0	277.3	40.0	24.2
267.5	20.0	22.2	264.5	20.0	21.6	277.5	20.0	23.9
267.5 ⁽³⁾	0.0	22.0	264.5	0.0	21.5	277.5	0.0	23.8

Notes

1. End of short axis.
2. End of diagonal axis.
3. End of long axis.

'Black Standard' colour picture tube

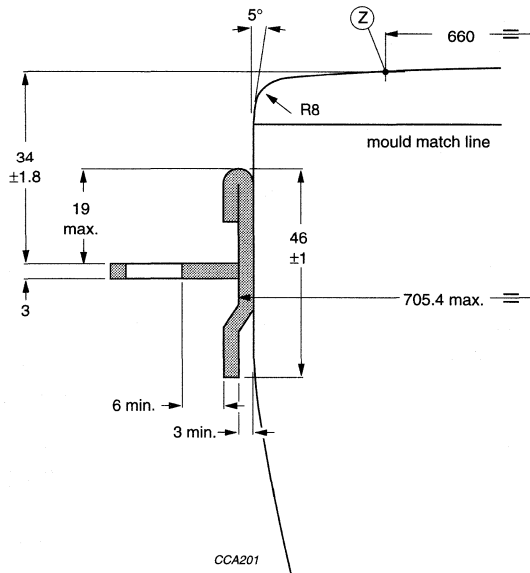
A66EAK071X



Dimensions in mm.

- (1) The position of the mounting screw in the cabinet must be within a circle of 8 mm diameter drawn around the true geometrical positions, i.e. the corners of a rectangle of 581.5 mm × 450.0 mm.
- (2) Minimum space to be reserved for mounting lug in cabinet.

Fig.7 Lug dimensions.



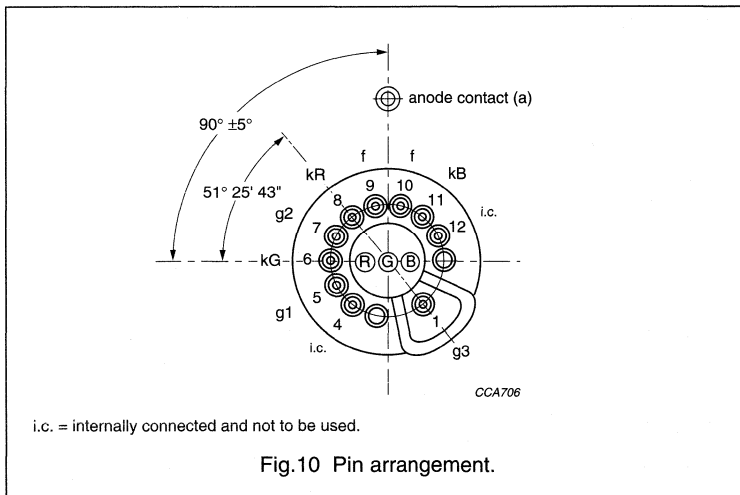
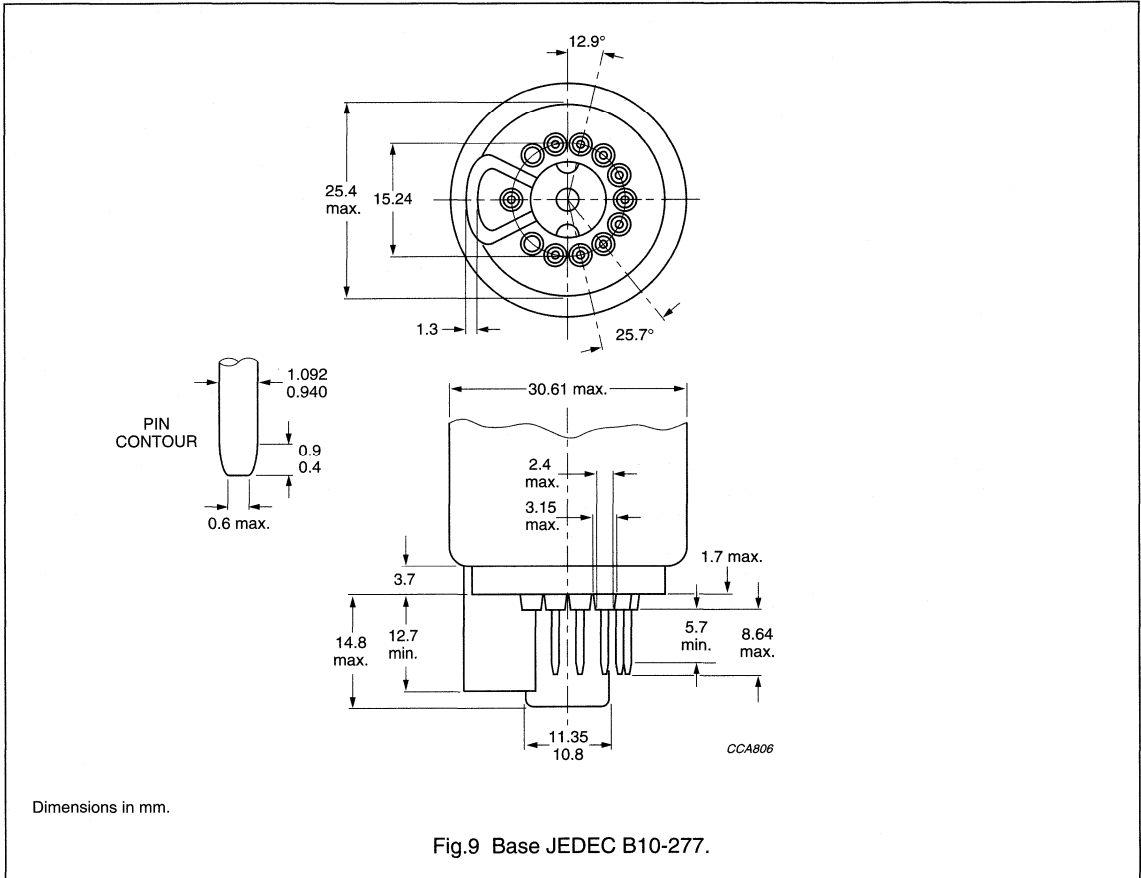
Dimensions in mm.

The displacement of any lug with respect to the plane through the three other lugs is max. 1.5 mm. This deviation is incorporated in the tolerance of ±1.8 mm.

Fig.8 Lug position.

'Black Standard' colour picture tube

A66EAK071X



Remarks: to Figs 9 and 10.

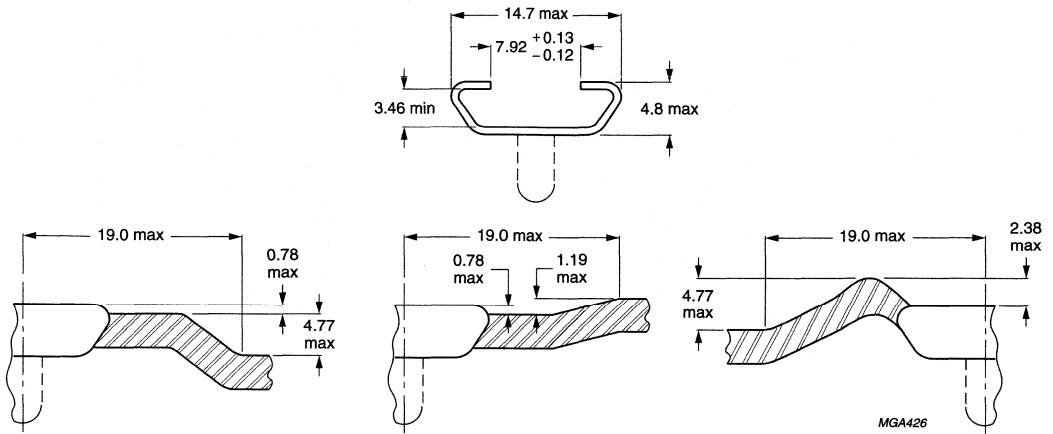
The socket for this base should not be rigidly mounted, it should have flexible leads and be allowed to move freely. After mounting the tube in the cabinet, note that the position of the base can fall within a circle, having a diameter of max. 55 mm concentric with an imaginary tube axis.

The mass of the mounting socket assembly should not exceed 150 g.

Maximum permissible torque on the tube neck is 0.04 Nm.

'Black Standard' colour picture tube

A66EAK071X



MGA426

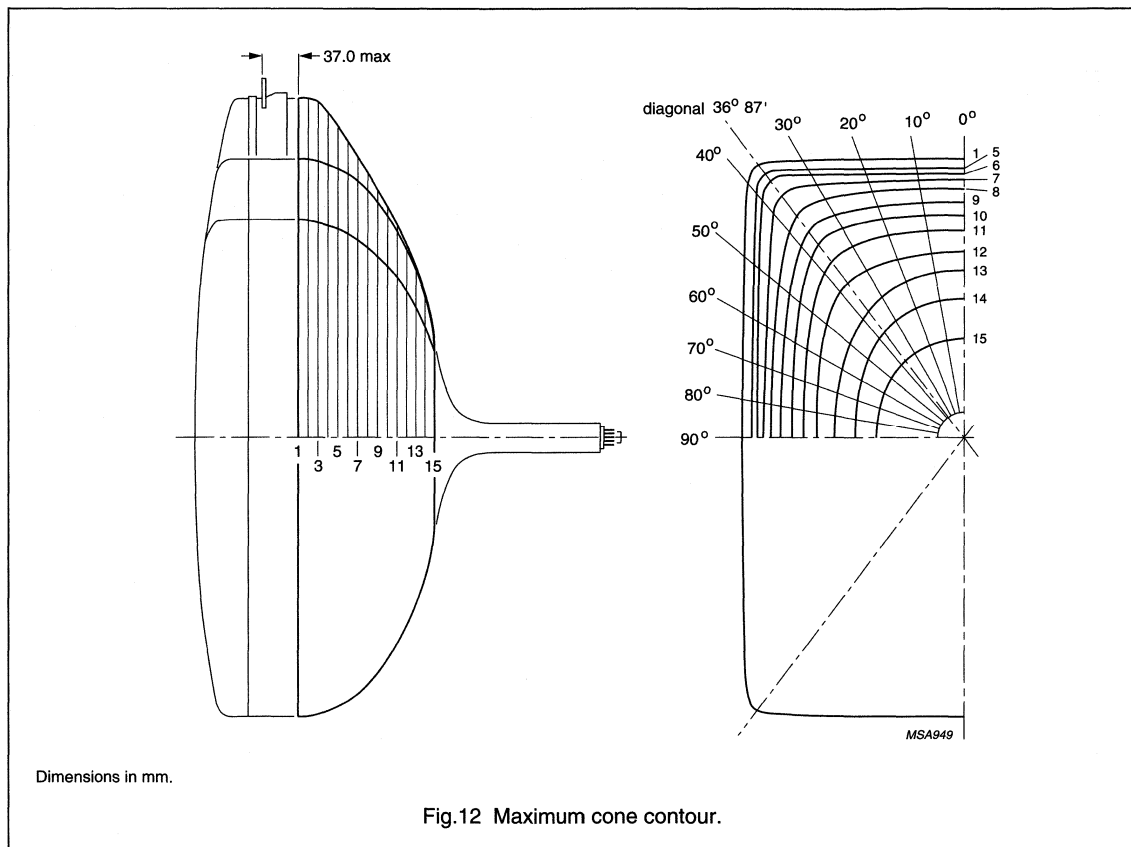
Dimensions in mm.

Fig.11 Cavity cap JEDEC J1-21, IEC 67-III-2.

'Black Standard' colour picture tube

A66EAK071X

Cone contour



'Black Standard' colour picture tube

A66EAK071X

Cone contour data

SECTION	NOMINAL DISTANCE FROM SECTION 1 (mm)	MAXIMUM DISTANCE FROM TUBE AXIS (mm)										
		0°	10°	20°	30°	36°87	40°	50°	60°	70°	80°	90°
1	0	286.7	290.9	304.2	328.7	348.8	340.3	288.9	257.1	237.8	227.3	223.9
2	10.0	285.6	289.8	303.1	327.4	347.1	337.5	286.7	255.3	236.2	225.8	222.5
3	20.0	283.7	287.8	300.8	324.7	341.6	333.3	283.2	252.2	233.2	223.0	219.7
4	30.0	281.0	285.1	297.8	321.1	331.3	325.0	278.5	247.9	229.3	219.2	216.0
5	40.0	276.6	280.4	292.4	314.2	318.4	312.4	270.5	241.4	223.6	213.9	210.8
6	50.0	270.5	274.1	285.2	303.6	303.9	298.4	261.3	233.9	216.9	207.7	204.7
7	60.0	262.6	265.9	275.8	289.7	287.8	282.9	251.3	225.6	209.7	200.9	198.1
8	70.0	252.5	255.3	264.0	273.5	270.5	266.3	240.2	216.4	201.5	193.3	190.7
9	80.0	239.7	242.0	249.3	255.6	252.2	248.5	227.1	205.4	191.7	184.1	181.7
10	90.0	224.0	226.0	232.0	236.0	232.5	229.2	211.2	191.6	179.1	172.2	170.0
11	100.0	206.2	207.9	213.0	215.7	212.1	208.9	192.3	174.6	163.3	157.0	155.0
12	110.0	185.8	187.2	191.4	192.7	189.0	186.0	171.1	155.4	145.4	139.8	138.0
13	120.0	161.7	162.7	165.5	165.5	162.0	159.5	147.8	134.7	126.3	121.6	120.1
14	130.0	131.3	132.0	134.1	133.9	131.5	129.9	122.3	112.6	106.0	102.3	101.1
15	140.0	93.2	93.3	93.5	93.2	92.4	91.9	89.6	86.4	83.8	82.3	81.8

HANDLING

During shipment and handling the tube should not be subjected to accelerations greater than 350 m/s² in any direction (at pulse ≤10 ms).

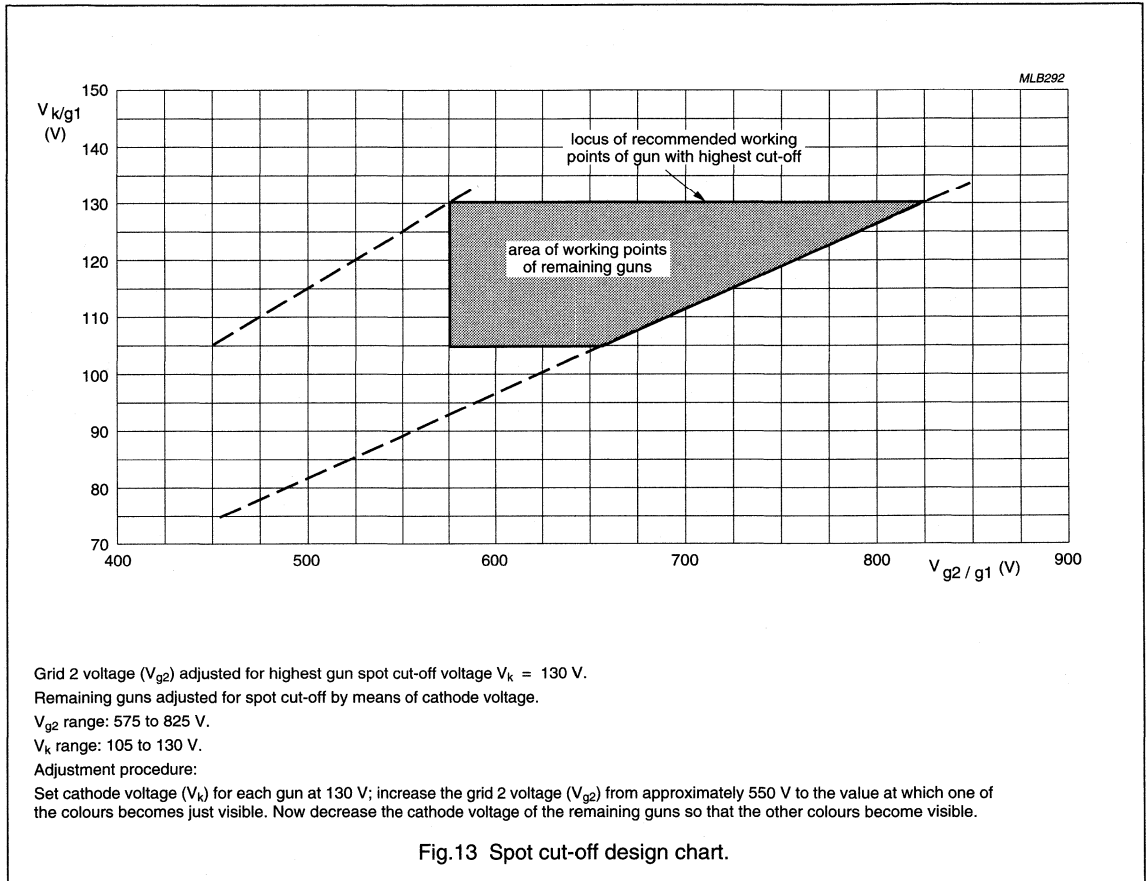
'Black Standard' colour picture tube

A66EAK071X

OPERATING DATA

The voltages are specified with respect to grid 1.

SYMBOL	PARAMETER	CONDITIONS	MIN.	TYP.	MAX.	UNIT
$V_{a,g4}$	anode voltage	tube operating at no load	-	25	-	kV
V_{g3}	grid 3 (focus electrode) voltage		7.25	-	8.25	kV
V_{g2}	grid 2 voltage	for spot cut-off voltage $V_k = 130$ V	575	-	825	V
V_f	heater voltage	tube operating	-	6.15	-	V



'Black Standard' colour picture tube

A66EAK071X

CHASSIS DESIGN VALUES

The values are valid for anode voltages between 20 and 27.5 kV. The voltages are specified with respect to grid 1.

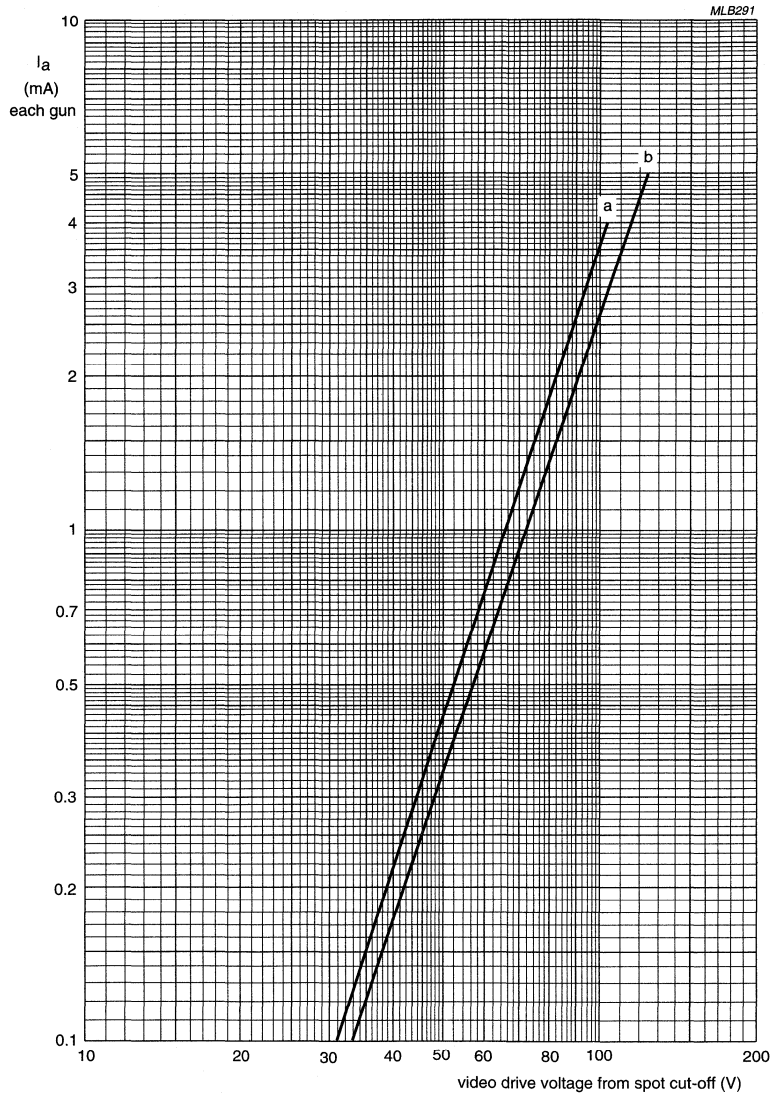
SYMBOL	PARAMETER	CONDITIONS	MIN.	TYP.	MAX.	UNIT
V_{g3}	grid 3 (focus electrode) voltage as a percentage of anode voltage		29	–	33	%
V_{g2} and V_k	grid 2 voltage and cathode voltage	for visual extinction of focused spot	see Fig.13			
ΔV_k	difference in cut-off voltage between guns in any tube		lowest value >80% of highest value			
V_f	heater voltage	operating	–	6.15	–	V
	video drive characteristics		note 1 and Fig.14			
I_{g3}	grid 3 (focus electrode) current		–2	–	2	μA
I_{g2}	grid 2 current		–2	–	2	μA
I_{g1}	grid 1 current	under cut-off conditions	–2	–	2	μA
R_{ins}	insulation resistance	each cathode to grid 1 and heater	50	–	–	$\text{M}\Omega$
Anode currents to produce white of 6500 K + 7 MPCD (CIE coordinates: x = 0.313; y = 0.329)						
PERCENTAGE OF THE TOTAL ANODE CURRENT SUPPLIED BY EACH GUN (TYPICAL)						
	red gun		–	41.3	–	%
	green gun		–	34.4	–	%
	blue gun		–	24.3	–	%
RATIO OF ANODE CURRENTS						
	red gun to green gun		0.85	1.20	1.55	
	red gun to blue gun		1.20	1.70	2.20	
	blue gun to green gun		0.40	0.70	1.00	

Note

- For optimum picture performance it is recommended that the cathodes are not driven below +1 V with respect to grid 1.

'Black Standard' colour picture tube

A66EAK071X



$V_f = 6.15$ V.

$V_{a,g4} = 25$ kV.

V_{g3} adjusted for focus.

V_{g2} (each gun) adjusted to provide spot cut-off for $V_k = 105$ V (curve a) and $V_k = 130$ V (curve b).

Fig.14 Typical cathode drive characteristics.

'Black Standard' colour picture tube

A66EAK071X

LIMITING VALUES

In accordance with the Absolute Maximum Rating System (IEC 134). The voltages are specified with respect to grid 1.

SYMBOL	PARAMETER	CONDITIONS	MIN.	MAX.	UNIT
V_a	anode voltage	note 1	20 ⁽²⁾	30 ⁽³⁾	kV
I_a	long-term average current for three guns	note 4	–	1000	μ A
V_{g3}	grid 3 (focus electrode) voltage	note 5	–	12	kV
V_{g2}	grid 2 voltage	note 6	–	1200	V
V_f	heater voltage	note 7	5.7	6.6 ⁽³⁾	V
Cathode voltage					
V_k	positive	operating	–	250	V
		during blanking	–	400	V
V_k	positive operating cut-off		–	200	V
V_k	negative		–	0	V
V_{kp}	negative peak		–	–2	V
Cathode to heater voltage					
V_{kf}	positive		–	250	V
V_{kfp}	positive peak		–	300	V
V_{kf}	negative		–	0	V
V_{kfp}	negative peak		–	–50	V
Circuit values					
R_{g3}	grid 3 circuit resistance		–	70	M Ω
R_{g2}	grid 2 circuit resistance		–	7	M Ω
R_{g1k}	grid 1 to cathode circuit resistance (each gun)		–	750	k Ω

Notes

1. During adjustment on the production line this value is likely to be surpassed considerably. It is therefore strongly recommended to first make the necessary adjustments for normal operation without the picture tube.
2. Operation of the tube at lower voltages impairs the luminance and resolution and may impair the convergence.
3. This value is an absolute maximum.
4. The short-term average anode current should be limited by circuitry to 1500 μ A.
5. During flashover conditions maximum 20 kV is permitted (see Chapter "Flashover protection").
6. During adjustment on the production line maximum 1500 V is permitted.
7. For maximum cathode life and optimum performance it is recommended that the heater supply is designed for 6.15 V at average beam current, for most applications this equals 6.3 V at zero beam current.

BEAM CENTRING

Maximum centring error in any direction is 4 mm.

'Black Standard' colour picture tube

A66EAK071X

FLASHOVER PROTECTION

The high voltages used with this tube (absolute max. 30 kV) may produce internal flashovers. Soft-flash technology limits these flashover currents to approximately 60 A offering higher reliability, optimum circuit protection and component savings.

Primary protective circuitry using properly grounded spark gaps and series isolation resistors (preferably carbon composition) is still necessary

to prevent tube damage. The spark gaps should be connected to all picture tube electrodes (except the tube heaters) at the tube socket in accordance with Fig.15. No other connections between the outer conductive coating and the chassis are permissible. The spark gaps should be designed for a maximum breakdown voltage at the focus electrode (g_3) of approximately 19 to 20 kV and at the other electrodes of 2 kV at the lowest operating atmospheric pressure.

The values of the series isolation resistors should be as high as possible (min. 0.5 k Ω) without causing deterioration of circuit performance. The resistors should be able to withstand an instantaneous surge of 20 kV for the focus circuit and 12 kV for the remaining circuits without arcing.

To guarantee the soft flash behaviour, the internal dynamic resistance of the tube during flashover is minimum 400 Ω and maximum 800 Ω .

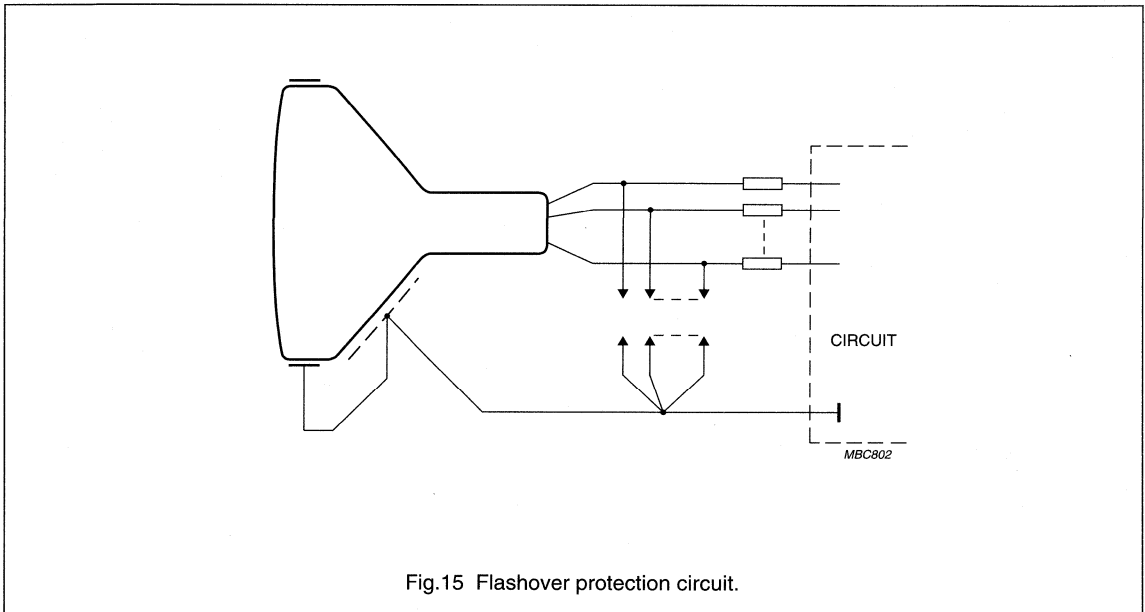


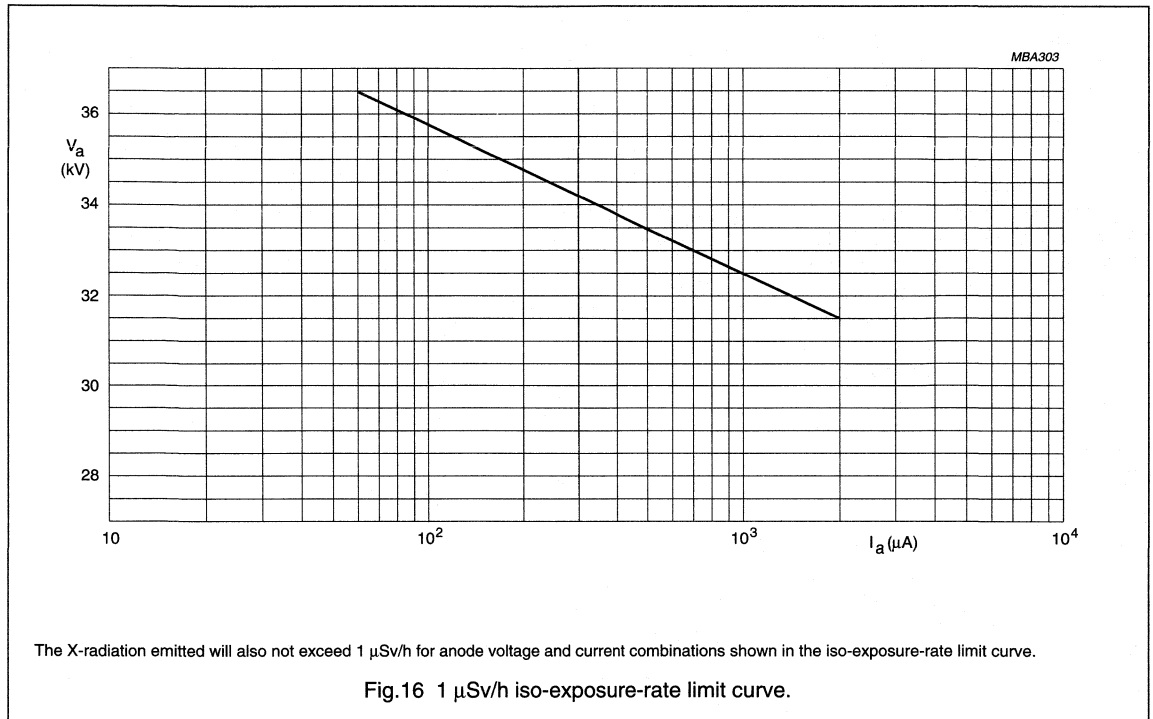
Fig.15 Flashover protection circuit.

'Black Standard' colour picture tube

A66EAK071X

X-RADIATION

The tube does not emit X-radiation above 1 $\mu\text{Sv/h}$ when operated at 30 kV and 1.5 mA.



'Black Standard' colour picture tube

A66EAK071X

DEGAUSSING

The picture tube is provided with an internal magnetic shield. This shield and the shadow mask with its suspension system may be provided with an automatic degaussing system, consisting of one single coil mounted on the cone of the picture tube.

For proper degaussing an initial magnetomotive force (MMF) of 400 ampere-turns is required. This MMF has to be gradually decreased with a maximum of 25% per half period, using appropriate degaussing circuitry. In the steady state, no significant MMF should remain in the coil(s) (≤ 0.15 ampere-turns). Switch-off of the degaussing current is permitted at a peak MMF ≤ 4 ampere-turns.

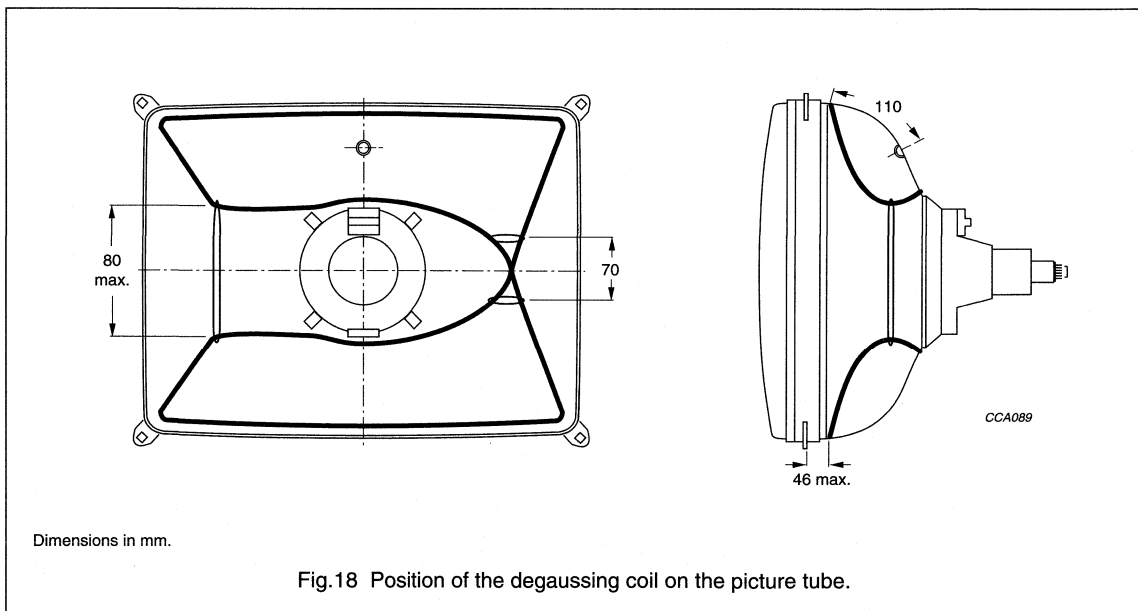
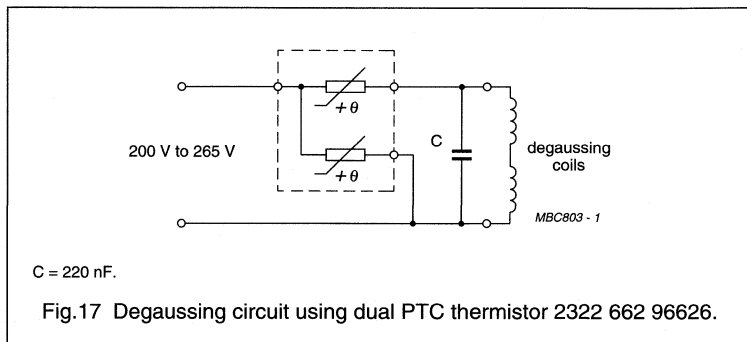
To prevent beam landing disturbances by line-frequency currents induced in the degaussing coils, these coils should be shunted by a capacitor of sufficiently high value.

If single-phase power rectification is employed in the TV circuitry, provision should be included to prevent asymmetric distortion of the AC voltage applied to the degaussing circuit due to high DC inrush currents.

An example of a degaussing circuit and coil data is given in Fig.17 and Table "Degaussing coil data".

Degaussing coil data

PARAMETER	TYP.	UNIT
Circumference	317	cm
Number of turns	70	
Copper wire diameter	0.4	mm
Resistance	29	Ω



'Black Standard'
colour picture tube assembly

A66EAK071X01

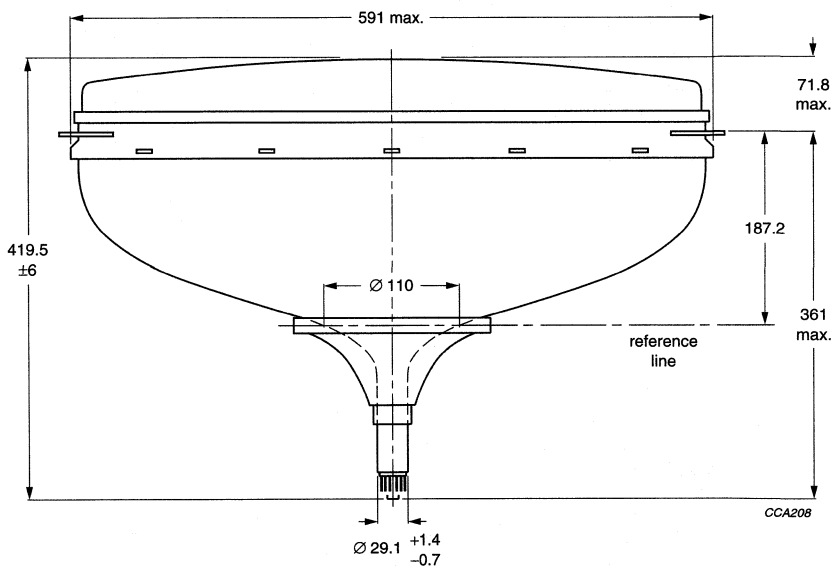
FEATURES

- Factory preset tube/coil assembly
- Self-converging and north-south raster correction free
- 66 cm, 110° colour picture tube A66EAK071X
- Double saddle deflection unit.

QUICK REFERENCE DATA

PARAMETER	TYP.	UNIT
Deflection angle	110	deg
Minimum useful screen diagonal	66	cm
Overall length	42	cm
Neck diameter	29.1	mm
Anode voltage	25	kV

MECHANICAL DATA



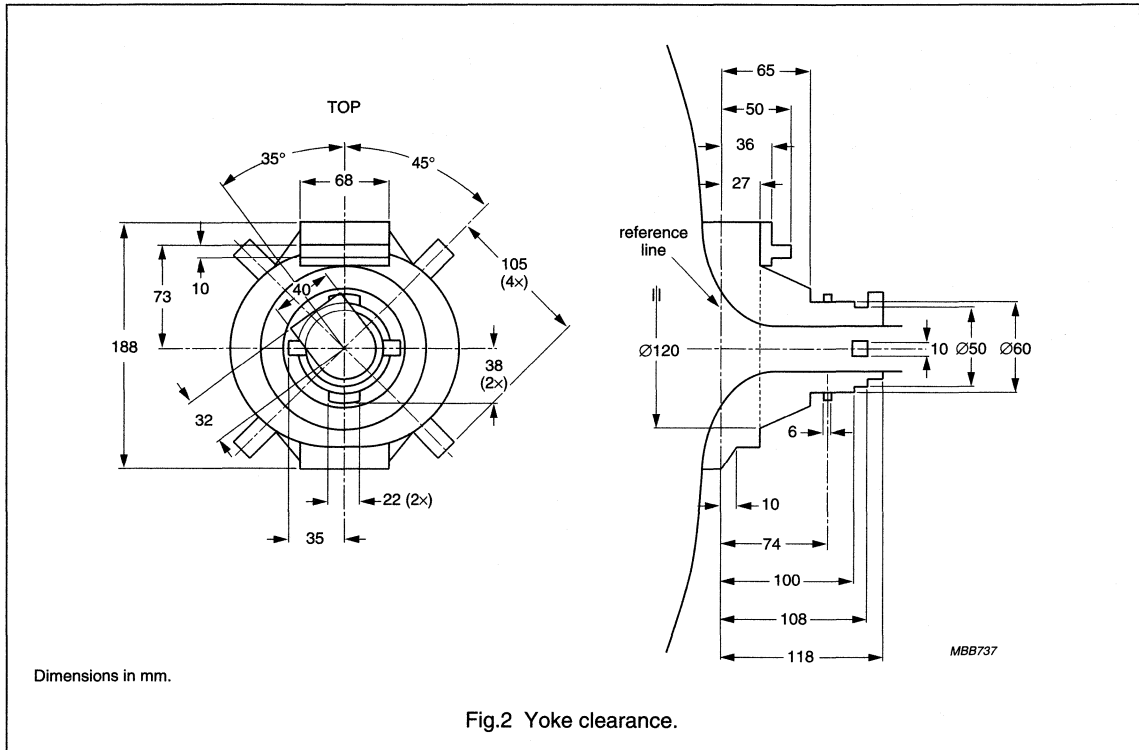
Dimensions in mm.

Fig.1 Tube assembly.

Black Standard

'Black Standard'
colour picture tube assembly

A66EAK071X01

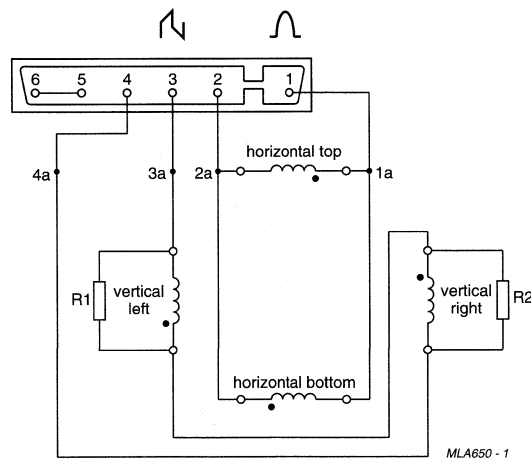
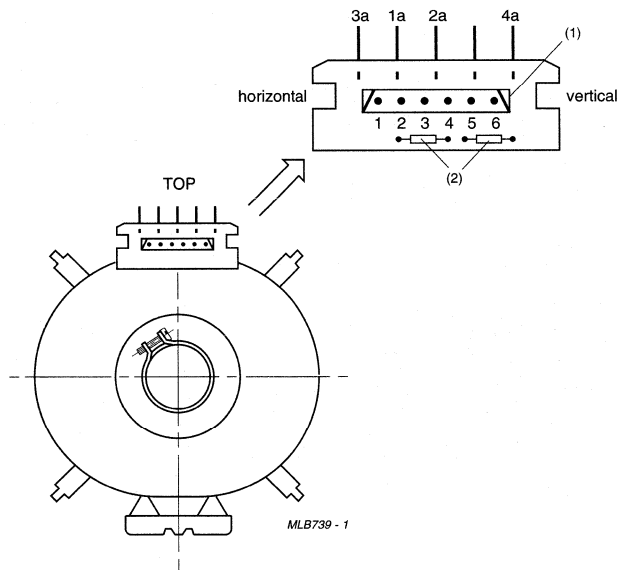


DEFLECTION COIL DATA

PARAMETER	CONDITIONS	VALUE	UNIT
Horizontal coils, parallel connected			
Inductance	1 V (RMS); 1 kHz	1.84	mH
Resistance	$T_{amb} = 25\text{ }^{\circ}\text{C}$	1.8	Ω
Magnetic flux	$V_a = 25\text{ kV}$	$7.8 \pm 5\%$	mWb
Horizontal deflection current (peak-to-peak value)	edge-to-edge; $V_a = 25\text{ kV}$	4.23	A
Vertical coils, series connected			
Inductance	1 V (RMS); 1 kHz	10.70	mH
Resistance	$T_{amb} = 25\text{ }^{\circ}\text{C}$	6.2	Ω
Vertical deflection current (peak-to-peak value)	edge-to-edge; $V_a = 25\text{ kV}$	1.76	A

'Black Standard'
colour picture tube assembly

A66EAK071X01



The beginning of the windings is indicated with •

(1) Main connector: Stocko series MKS 2820; matching socket connector Stocko series MKF 2800.

(2) $R1 = R2 = 100 \Omega, 0.25 \text{ W}$.

Fig.3 Deflection coil connections.

'Black Standard'
colour picture tube assembly

A66EAK071X11

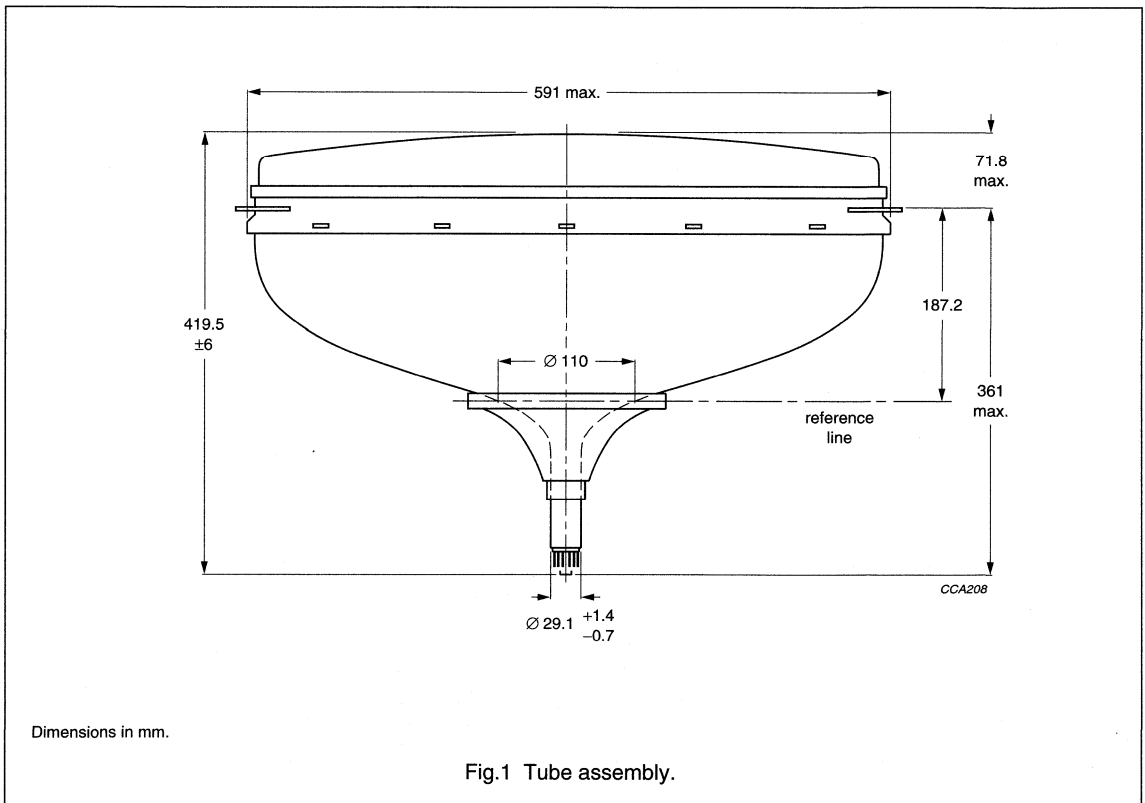
FEATURES

- Factory preset tube/coil assembly
- Self-converging and north-south raster correction free
- 66 cm, 110° colour picture tube A66EAK071X
- Double saddle deflection unit.

QUICK REFERENCE DATA

PARAMETER	TYP.	UNIT
Deflection angle	110	deg
Minimum useful screen diagonal	66	cm
Overall length	42	cm
Neck diameter	29.1	mm
Anode voltage	25	kV

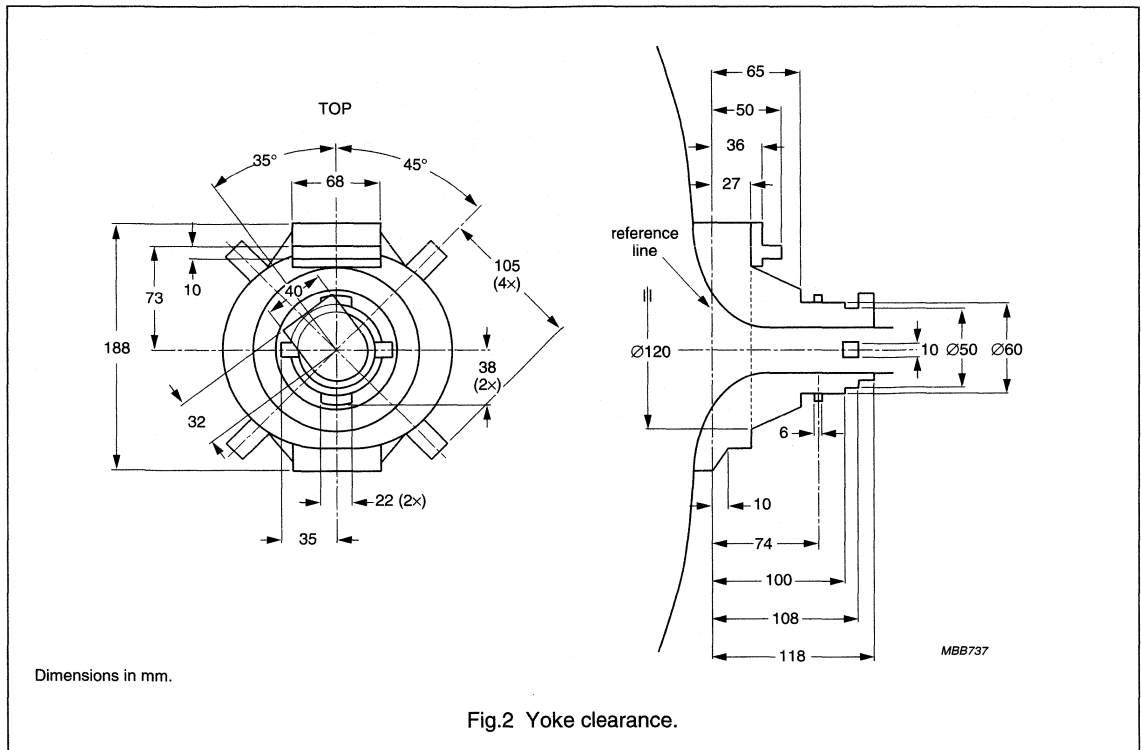
MECHANICAL DATA



Black Standard

'Black Standard'
colour picture tube assembly

A66EAK071X11

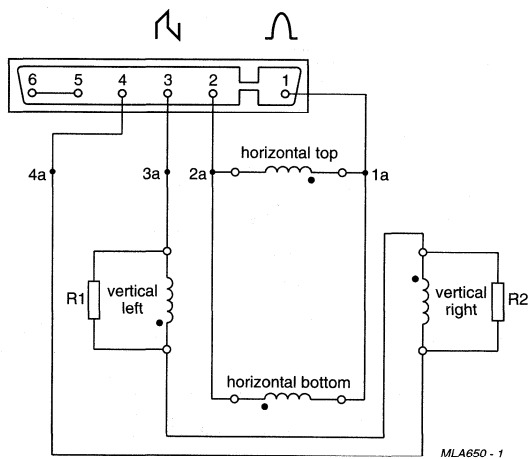
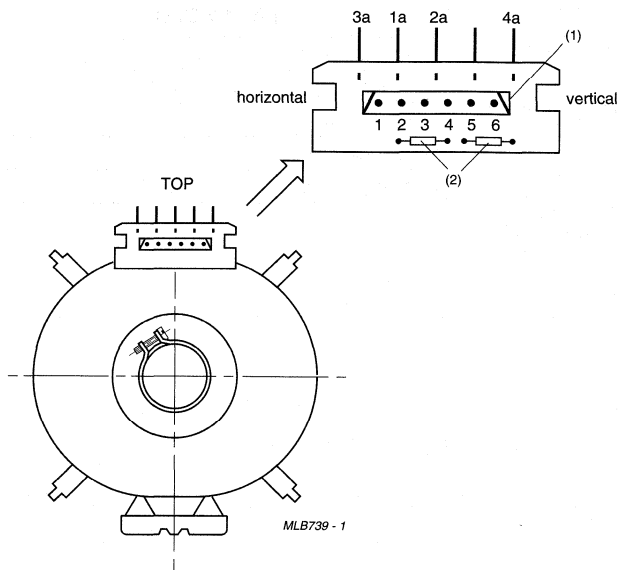


DEFLECTION COIL DATA

PARAMETER	CONDITIONS	TYP.	UNIT
Horizontal coils, parallel connected			
Inductance	1 V (RMS); 1 kHz	1.58	mH
Resistance	$T_{amb} = 25\text{ }^{\circ}\text{C}$	1.6	Ω
Magnetic flux	$V_a = 25\text{ kV}$	$7.2 \pm 5\%$	mWb
Horizontal deflection current (peak-to-peak value)	edge-to-edge; $V_a = 25\text{ kV}$	4.55	A
Vertical coils, series connected			
Inductance	1 V (RMS); 1 kHz	8.63	mH
Resistance	$T_{amb} = 25\text{ }^{\circ}\text{C}$	5.0	Ω
Vertical deflection current (peak-to-peak value)	edge-to-edge; $V_a = 25\text{ kV}$	1.94	A

'Black Standard'
colour picture tube assembly

A66EAK071X11



The beginning of the windings is indicated with •

(1) Main connector: Stocko series MKS 2820; matching socket connector Stocko series MKF 2800.

(2) $R1 = R2 = 100 \Omega, 0.25 \text{ W}$.

Fig.3 Deflection coil connections.

'Black Standard'
colour picture tube assembly

A66EAK071X21

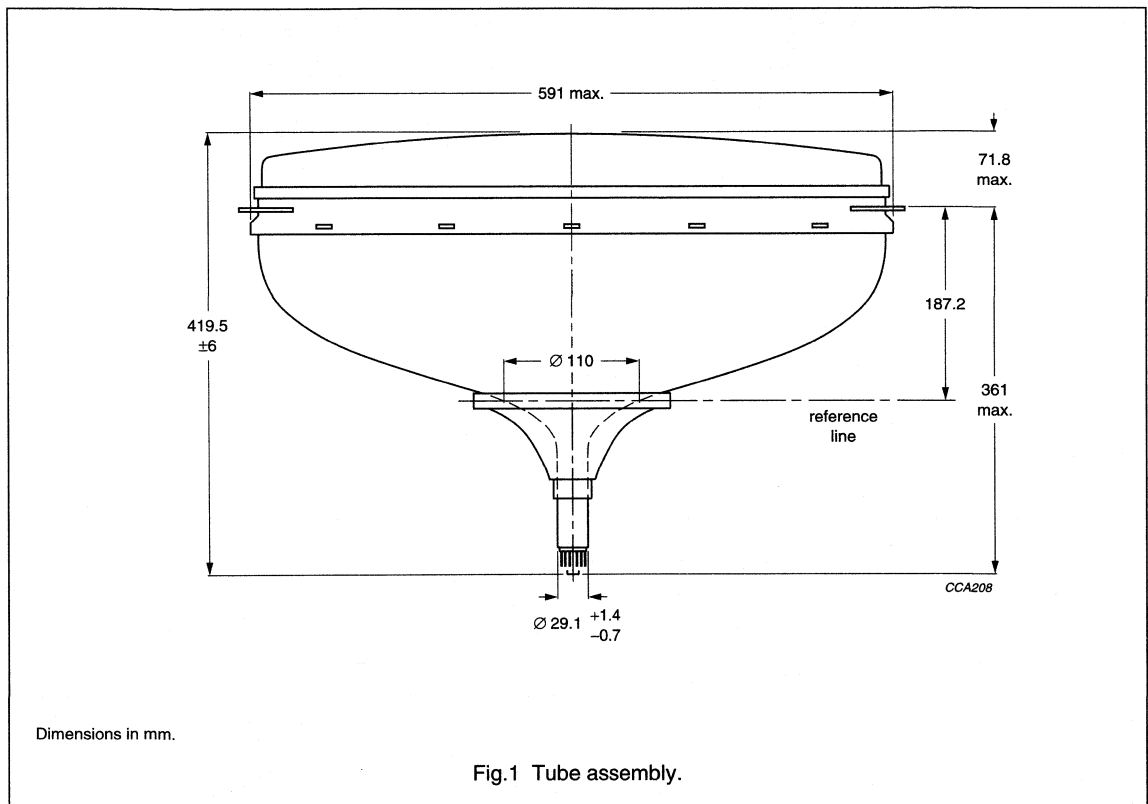
FEATURES

- Factory preset tube/coil assembly
- Self-converging and north-south raster correction free
- 66 cm, 110° colour picture tube A66EAK071X
- Double saddle deflection unit
- Scan Velocity Modulation (SVM) for improved picture sharpness.

QUICK REFERENCE DATA

PARAMETER	TYP.	UNIT
Deflection angle	110	deg
Minimum useful screen diagonal	66	cm
Overall length	42	cm
Neck diameter	29.1	mm
Anode voltage	25	kV

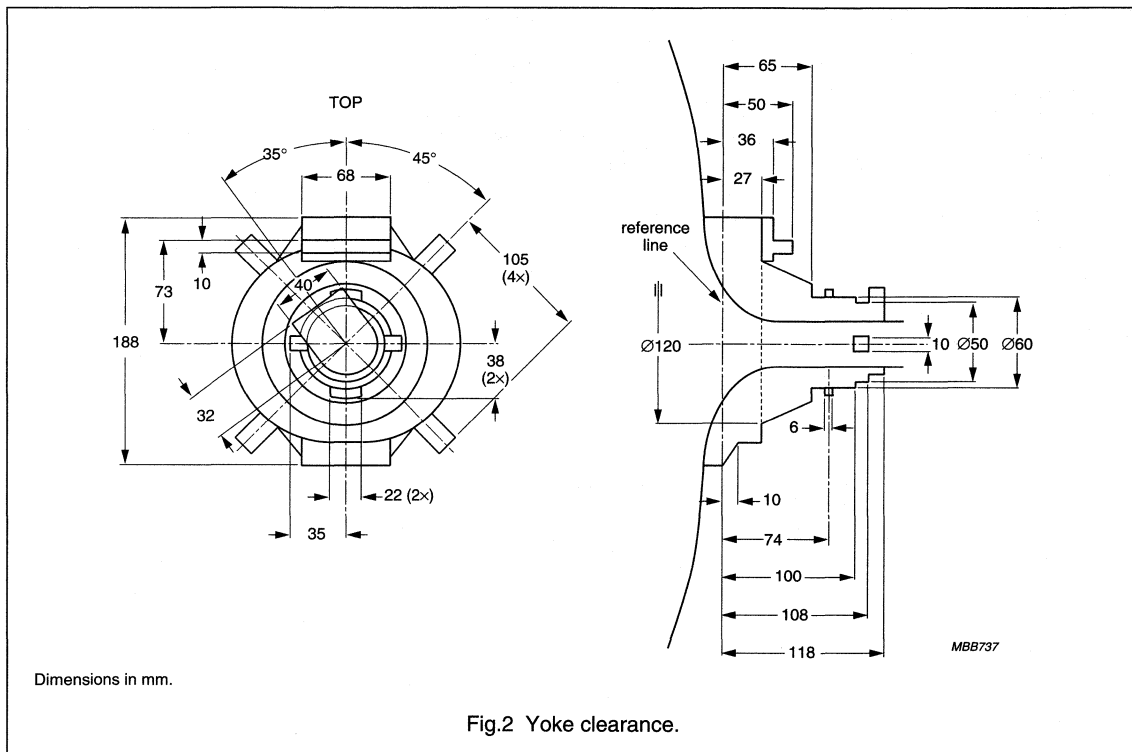
MECHANICAL DATA



Black Standard

'Black Standard' colour picture tube assembly

A66EAK071X21

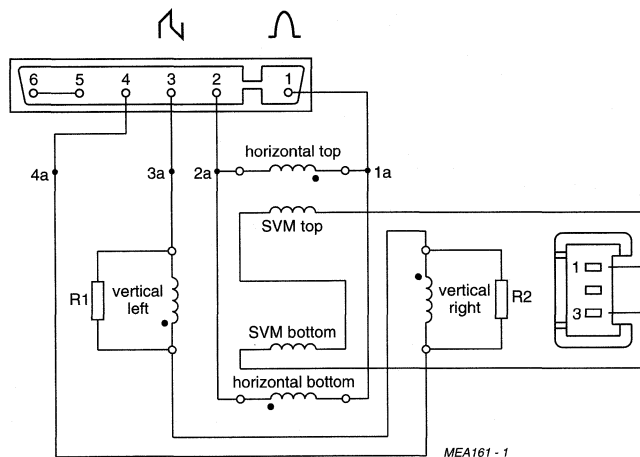
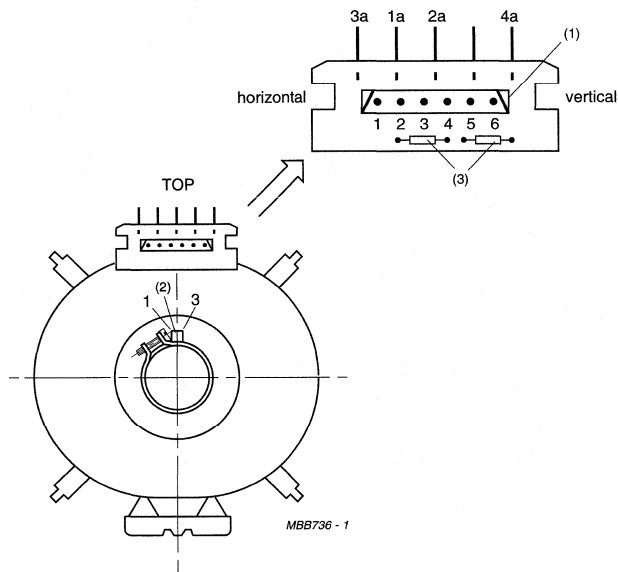


DEFLECTION COIL DATA

PARAMETER	CONDITIONS	VALUE	UNIT
Horizontal coils, parallel connected			
Inductance	1 V (RMS); 1 kHz	1.58	mH
Resistance	$T_{amb} = 25\text{ }^{\circ}\text{C}$	1.64	Ω
Magnetic flux	$V_a = 25\text{ kV}$	$7.20 \pm 5\%$	mWb
Horizontal deflection current (peak-to-peak value)	edge-to-edge; $V_a = 25\text{ kV}$	4.55	A
Vertical coils, series connected			
Inductance	1 V (RMS); 1 kHz	8.63	mH
Resistance	$T_{amb} = 25\text{ }^{\circ}\text{C}$	5.00	Ω
Vertical deflection current (peak-to-peak value)	edge-to-edge; $V_a = 25\text{ kV}$	1.94	A
SVM coils			
Inductance	1 V (RMS); 1 kHz	4.2	μH
Resistance	$T_{amb} = 25\text{ }^{\circ}\text{C}$	1.6	Ω
Sensitivity in X-direction	at screen centre	2.1	mm/A

'Black Standard'
colour picture tube assembly

A66EAK071X21



The beginning of the windings is indicated with •

- (1) Main connector: Stocko series MKS 2820; matching socket connector Stocko series MKF 2800.
- (2) SVM connector: Stocko system RFK 1 (MKS series); matching connector MKF17033, MKF17330 or MKF17360 series.
- (3) $R1 = R2 = 100 \Omega, 0.25 \text{ W}$.

Fig.3 Deflection coil connections.

'Black Standard' colour picture tube assembly

A66EAK071X44

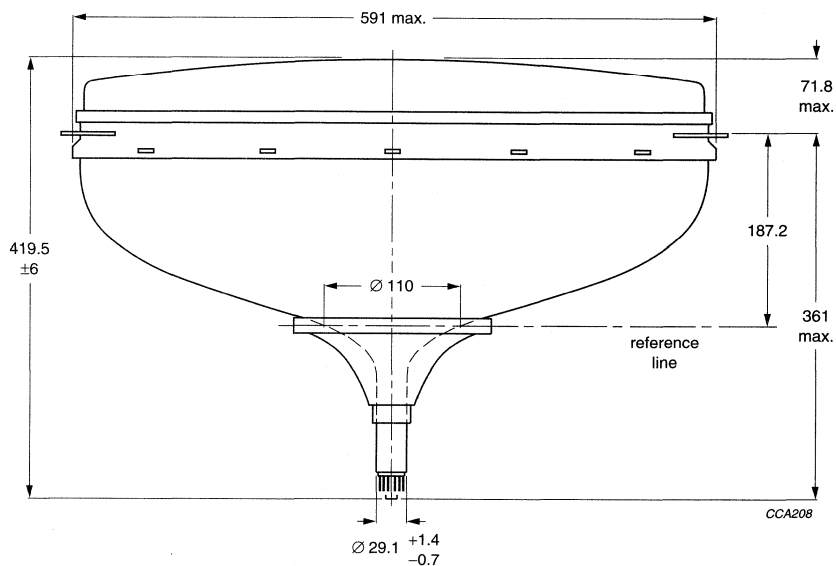
FEATURES

- 100 Hz vertical repetition
- Factory preset tube/coil assembly
- Self-converging and north-south raster correction free
- 66 cm, 110° colour picture tube A66EAK071X
- Double saddle deflection unit.

QUICK REFERENCE DATA

PARAMETER	TYP.	UNIT
Deflection angle	110	deg
Minimum useful screen diagonal	66	cm
Overall length	42	cm
Neck diameter	29.1	mm
Anode voltage	25	kV

MECHANICAL DATA



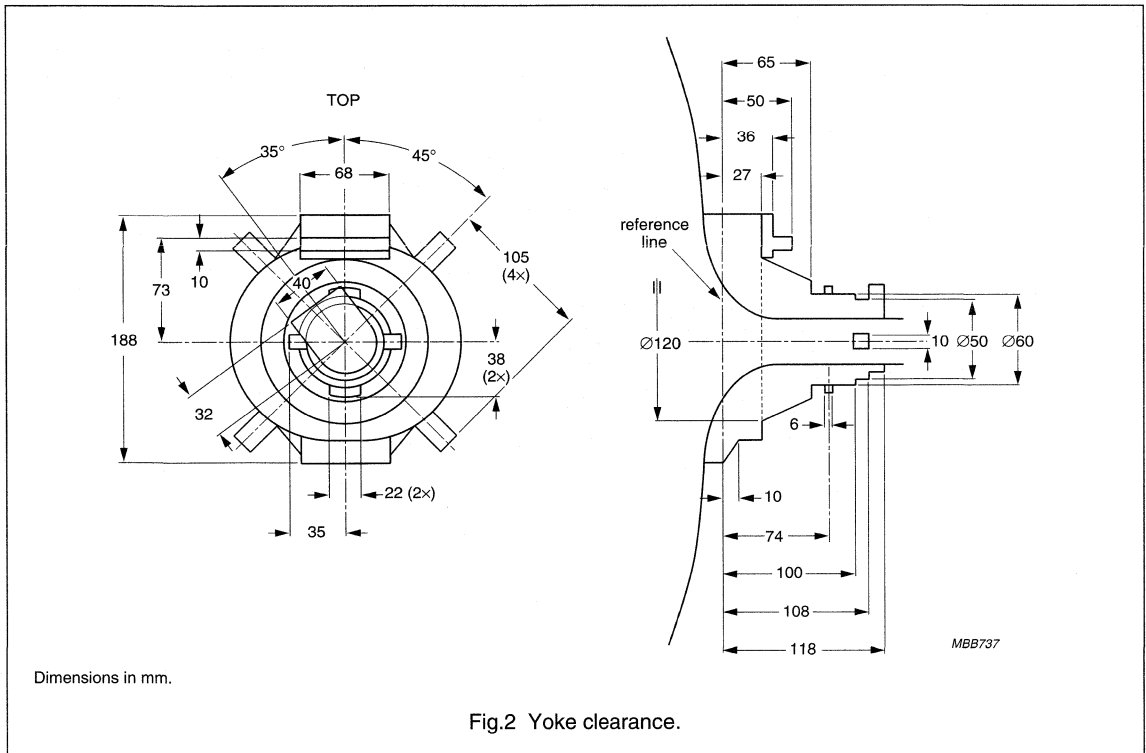
Dimensions in mm.

Fig.1 Tube assembly.

Black Standard

'Black Standard'
colour picture tube assembly

A66EAK071X44

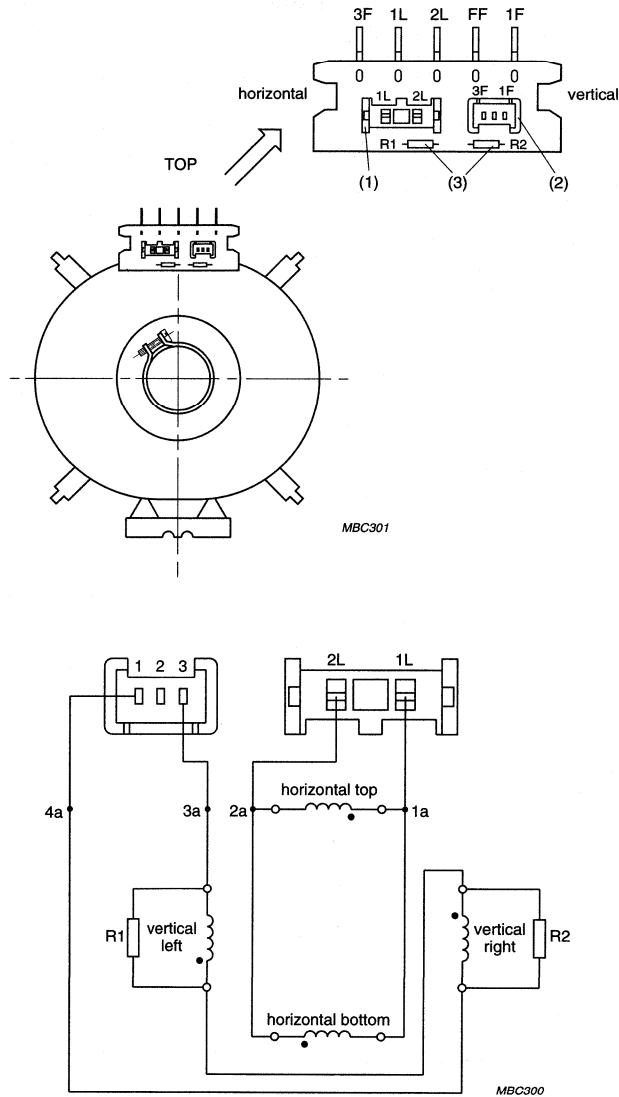


DEFLECTION COIL DATA

PARAMETER	CONDITIONS	VALUE	UNIT
Horizontal coils, parallel connected			
Inductance	1 V (RMS); 1 kHz	0.35	mH
Resistance	T _{amb} = 25 °C	0.40	Ω
Magnetic flux	V _a = 25 kV	3.43 ±5%	mWb
Horizontal deflection current (peak-to-peak value)	edge-to-edge; V _a = 25 kV	9.82	A
Vertical coils, series connected			
Inductance	1 V (RMS); 1 kHz	6.10	mH
Resistance	T _{amb} = 25 °C	3.45	Ω
Vertical deflection current (peak-to-peak value)	edge-to-edge; V _a = 25 kV	2.34	A

'Black Standard'
colour picture tube assembly

A66EAK071X44



The beginning of the windings is indicated with •

- (1) Horizontal connector: AMP Ultrex connection system; connector 2-173270-2; matching connector 2-173268-2.
- (2) Vertical connector: Stocko system RFK1 (MKS series); matching connector MKF17033, MKF17330 or MKF17360 series.
- (3) $R1 = R2 = 100 \Omega$, 0.25 W.

Fig.3 Deflection coil connections.

'Black Standard' colour picture tube assembly

A66EAK071X54

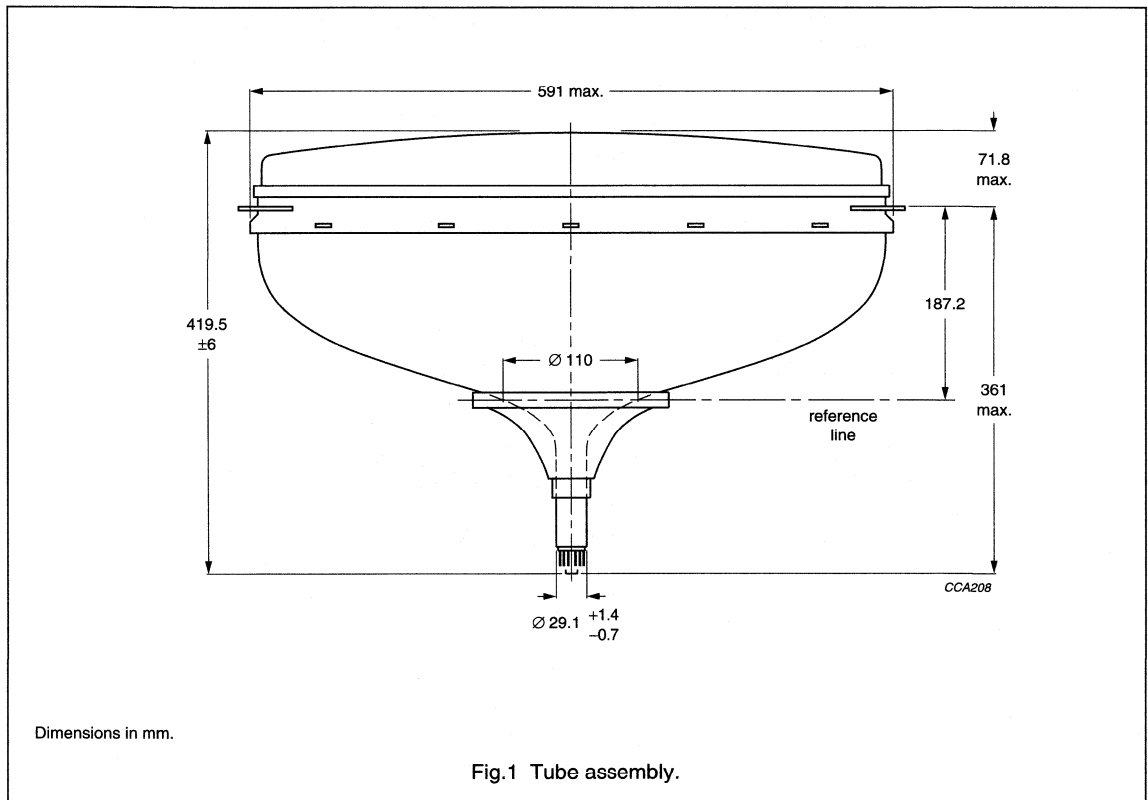
FEATURES

- 100 Hz vertical repetition
- Factory preset tube/coil assembly
- Self-converging and north-south raster correction free
- 66 cm, 110° colour picture tube A66EAK071X
- Double saddle deflection unit
- Scan Velocity Modulation (SVM) for improved picture sharpness.

QUICK REFERENCE DATA

PARAMETER	TYP.	UNIT
Deflection angle	110	deg
Minimum useful screen diagonal	66	cm
Overall length	42	cm
Neck diameter	29.1	mm
Anode voltage	25	kV

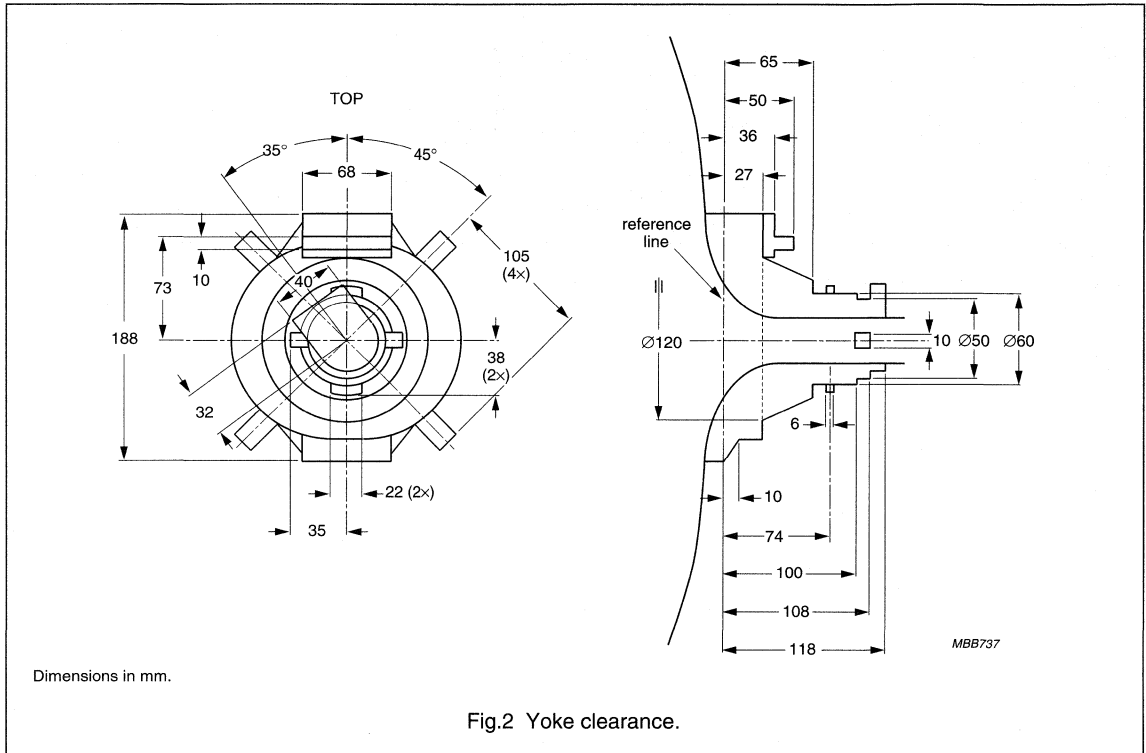
MECHANICAL DATA



Black Standard

'Black Standard' colour picture tube assembly

A66EAK071X54

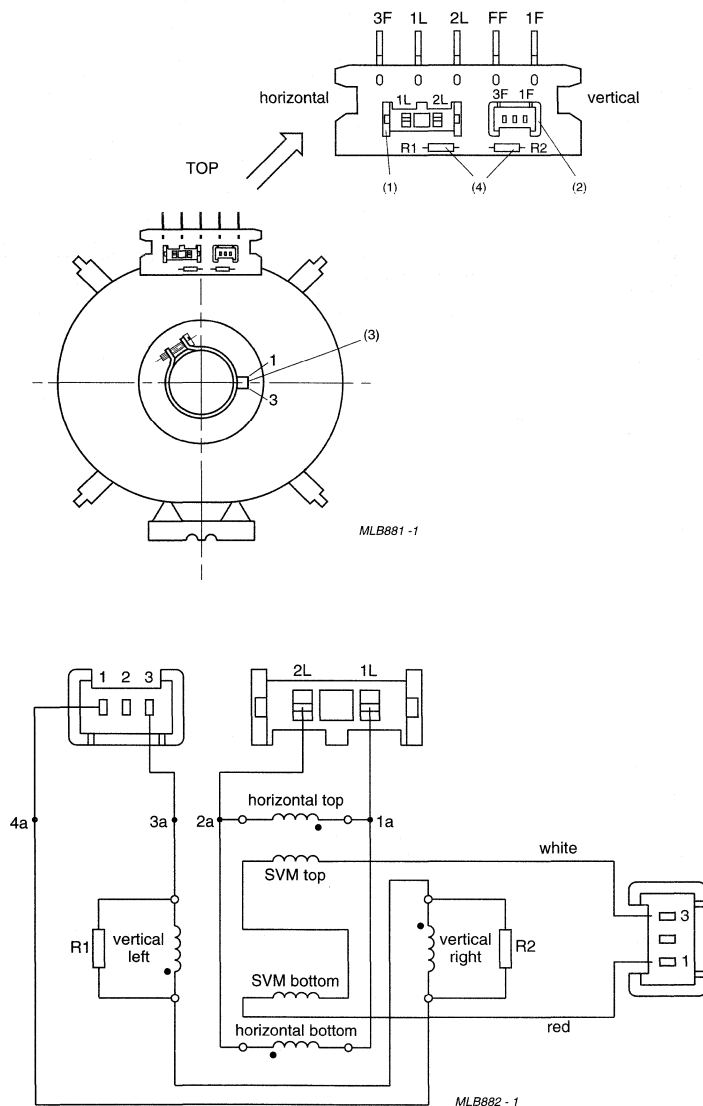


DEFLECTION COIL DATA

PARAMETER	CONDITIONS	VALUE	UNIT
Horizontal coils, parallel connected			
Inductance	1 V (RMS); 1 kHz	0.35	mH
Resistance	$T_{amb} = 25\text{ }^{\circ}\text{C}$	0.40	Ω
Magnetic flux	$V_a = 25\text{ kV}$	$3.43 \pm 5\%$	mWb
Horizontal deflection current (peak-to-peak value)	edge-to-edge; $V_a = 25\text{ kV}$	9.82	A
Vertical coils, series connected			
Inductance	1 V (RMS); 1 kHz	6.10	mH
Resistance	$T_{amb} = 25\text{ }^{\circ}\text{C}$	3.45	Ω
Vertical deflection current (peak-to-peak value)	edge-to-edge; $V_a = 25\text{ kV}$	2.34	A
SVM coils			
Inductance	1 V (RMS); 1 kHz	4.2	μH
Resistance	$T_{amb} = 25\text{ }^{\circ}\text{C}$	1.6	Ω
Sensitivity in X-direction	at screen centre	2.1	mm/A

'Black Standard'
colour picture tube assembly

A66EAK071X54



The beginning of the windings is indicated with •

- (1) Horizontal connector: AMP Ultrex connection system; connector 2-173270-2; matching connector 2-173268-2.
- (2) Vertical connector: Stocko system RFK1 (MKS series); matching connector MKF17033, MKF17330 or MKF17360 series.
- (3) SVM connector: Stocko system RFK1 (MKS series); matching connector MKF17033, MKF17330 or MKF17360 series.
- (4) $R1 = R2 = 100 \Omega, 0.25 \text{ W}$.

Fig.3 Deflection coil connections.

'Black Line S' colour picture tube**A66EAK552X****FEATURES**

- 'Flatter' and 'squarer' screen
- In-line, hi-bi potential ART (Aberration Reducing Triode) gun with quadrupole cathode lens
- INVAR mask with corner suspension
- BLACK MATRIX technology
- Improved BLACK LEVEL
- HIGH GLOSS screen finish
- Low transmission screen
- Cd-free phosphors
 - Pigmented deep red
 - Sulphide green
 - Pigmented sulphide blue
- Quick-heating low-power cathodes
- Slotted shadow mask optimized for minimum moiré at 525 and 625 line systems
- Internal magnetic shield
- Internal multipole.

QUICK REFERENCE DATA

PARAMETER	TYP.	UNIT
Deflection angle	110	deg
Useful screen diagonal	66	cm
Overall length	42	cm
Glass transmission	39	%
Neck diameter	29.1	mm
Heater voltage	6.15	V
Heater current	315	mA
Anode voltage	27.5	kV
Focus voltage	31% of anode voltage	

'Black Line S' colour picture tube

A66EAK552X

ELECTRICAL DATA

SYMBOL	PARAMETER	MIN.	TYP.	UNIT
Capacitances				
$C_{a(m+m')}$	anode to external conductive coating, including rimband	2000	–	pF
$C_{am'}$	anode to metal rimband	–	300	pF
C_k	cathodes of all guns (connected in parallel) to all other electrodes	–	15	pF
C_{kP}, C_{kG}, C_{kB}	cathode of any gun to all other electrodes	–	5	pF
C_{g1}	grid 1 to all other electrodes	–	17	pF
C_{g2}	grid 2 to all other electrodes	–	4.5	pF
C_{g3}	grid 3 (focusing electrode) to all other electrodes	–	6	pF
Heating				
V_f	heater voltage at average beam current: indirect AC (preferably mains or horizontal frequency) or DC	–	6.15	V
I_f	heater current	–	315	mA
Resistance				
R_{rim}	resistance between rimband and external conductive coating	50	–	MΩ

ELECTRO-OPTICAL DATA

PARAMETER	VALUE
Electron gun system	unitized triple-aperture electrodes; aberration reducing triode
Focus method	electrostatic
Focus lens	hi-bi potential
Deflection method	magnetic
Deflection angles	
diagonal	110°
vertical	97°
horizontal	77°

'Black Line S' colour picture tube

A66EAK552X

OPTICAL DATA

PARAMETER	VALUE
Matrix	black opaque material, PVP technology
Screen	metal-backed vertical phosphor stripes
Screen finish	high gloss
Nominal useful screen dimensions	
diagonal axis	662.6 mm
vertical axis	406.9 mm
horizontal axis	536.8 mm
area	2 184 cm ²
Phosphor alignment	see Fig.1
Phosphors	
red	pigmented europium activated rare earth
green	Cd-free sulphide type
blue	pigmented sulphide type
Persistence	medium short
Centre-to-centre distance of identical colour phosphor stripes at centre of screen	≈0.8 mm
Light transmission of face glass at screen centre	39%
Luminance at centre of screen; note 1	70 cd/m ²

Note

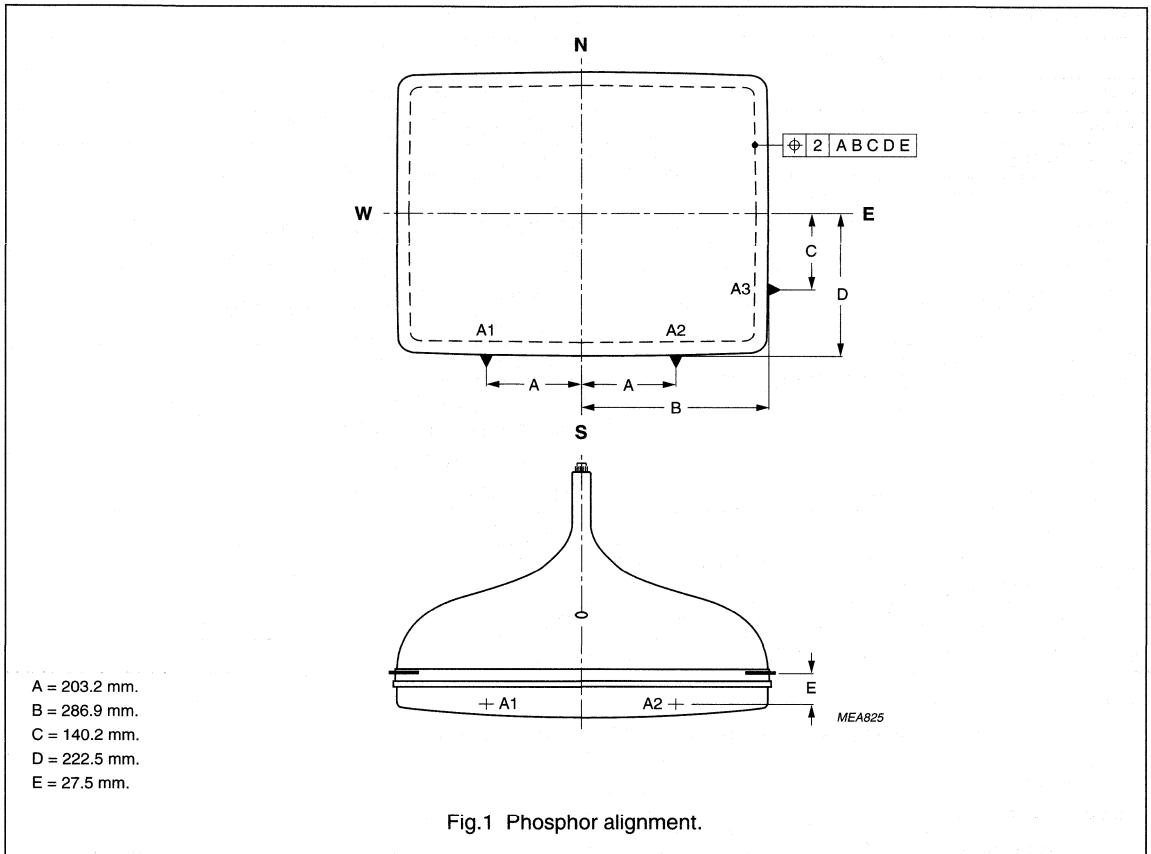
1. Tube settings adjusted to produce white D ($x = 0.313$, $y = 0.329$), focused raster, current density $0.4 \mu\text{A}/\text{cm}^2$, $V_a = 27.5 \text{ kV}$.

Colour coordinates

COLOUR	x	y
Red	0.630	0.330
Green	0.295	0.595
Blue	0.155	0.065

'Black Line S' colour picture tube

A66EAK552X



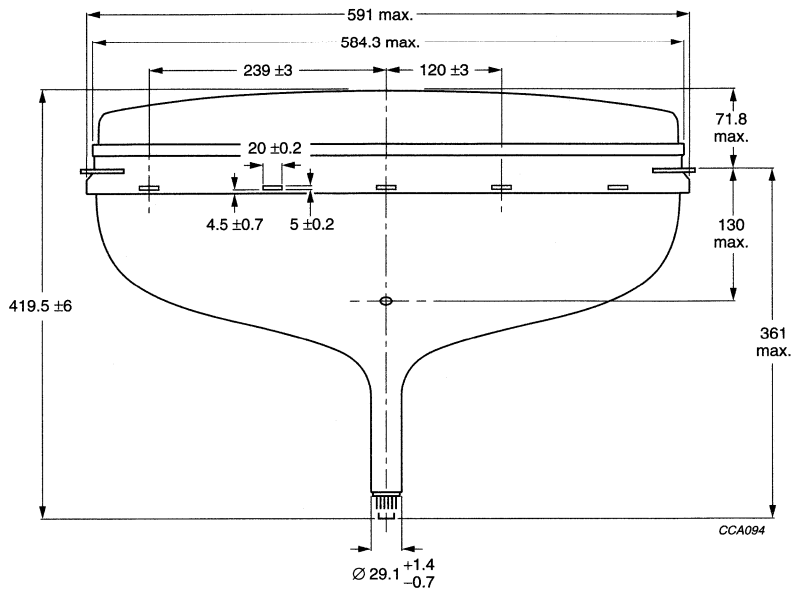
MECHANICAL DATA

See Figs 2 to 12.

PARAMETER	VALUE
Base	Base JEDEC B10-277
Anode contact	small cavity contact JEDEC J1-21; IEC 67-III-2
Mounting position	anode contact on top
Implosion protection	shrunk-on rimband provided with skirt and slots to accommodate clips for mounting of degaussing coils
Mass including deflection unit	≈24 kg

'Black Line S' colour picture tube

A66EAK552X

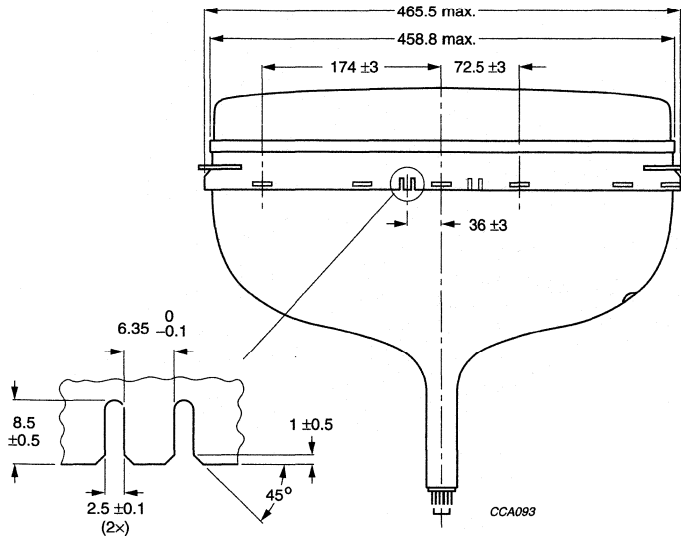


Dimensions in mm.

Fig.2 Tube dimensions; top view.

'Black Line S' colour picture tube

A66EAK552X

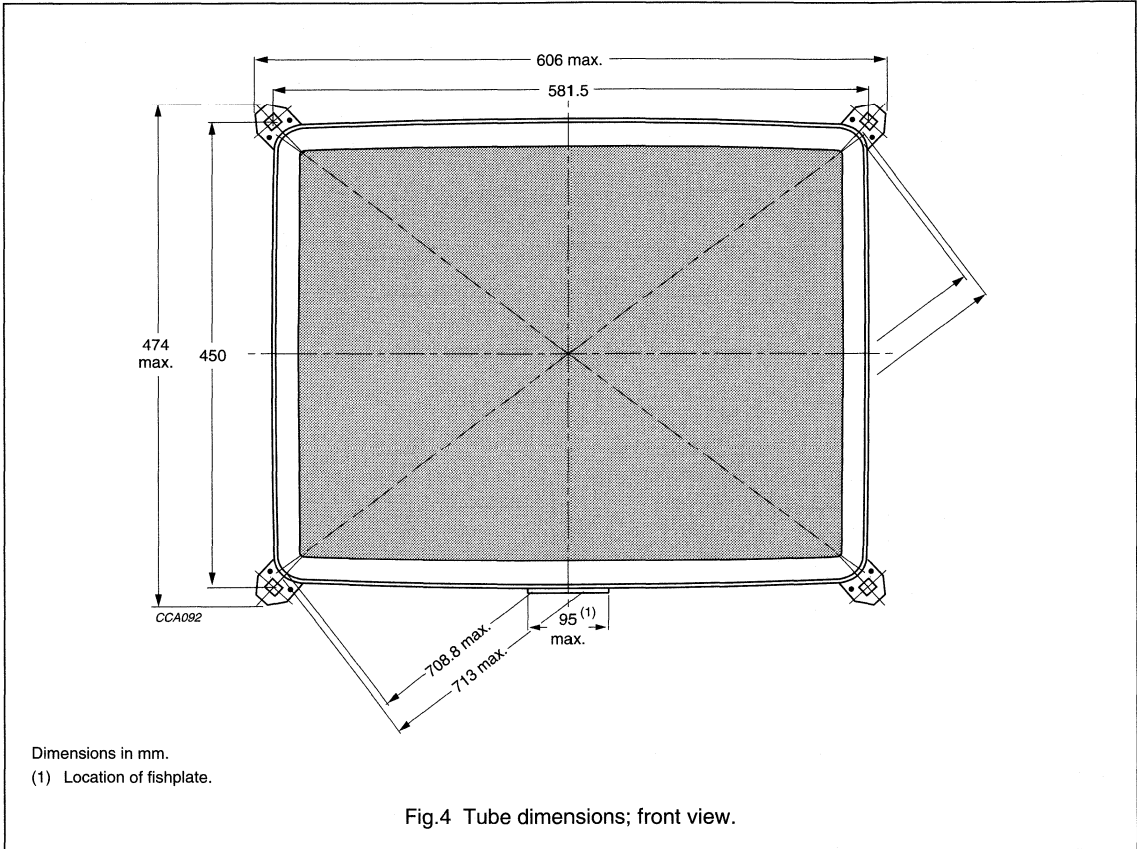


Dimensions in mm.

Fig.3 Tube dimensions; side view.

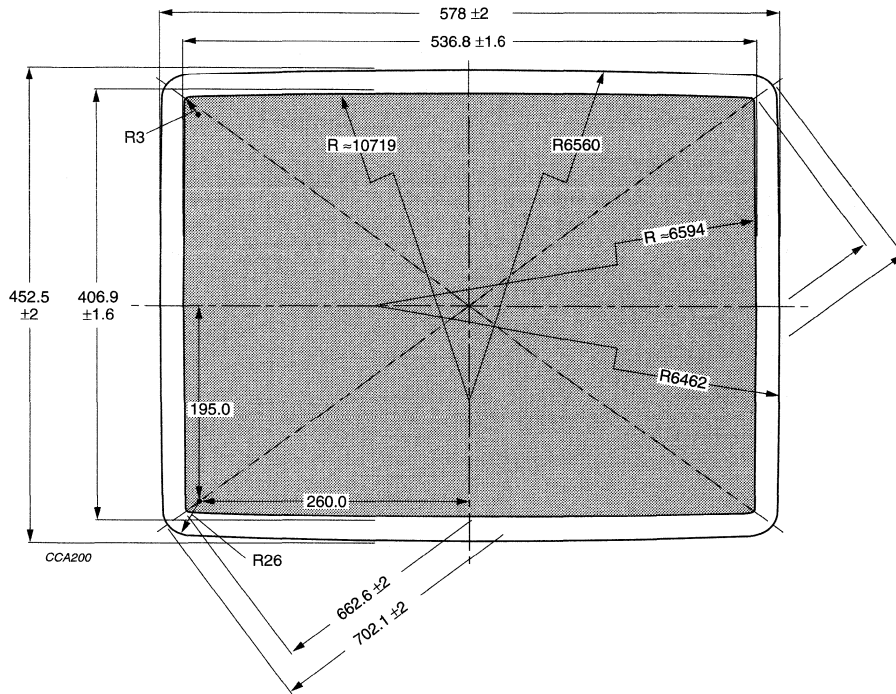
'Black Line S' colour picture tube

A66EAK552X



'Black Line S' colour picture tube

A66EAK552X

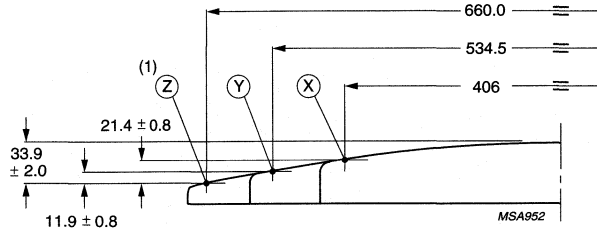


Dimensions in mm.

Fig.5 Phosphor and screen dimensions.

'Black Line S' colour picture tube

A66EAK552X



Dimensions in mm.

(1) Coordinates of Z-point: X = 264, Y = 198.

The X, Y and Z reference points are located on the outside surface of the face plate at the intersection of the minor, major and diagonal screen axis respectively.

The distance Z from any point on the screen to the centre can be calculated using the following formula:

$$R = \sqrt{X^2 + Y^2}$$

$$XB = XA - \frac{R2 \times XA}{R1}$$

$$ZA = R1 - \sqrt{R1^2 - XA^2}$$

$$ZB = R1 - R2 - ZC$$

$$ZC = \frac{(R1 - ZA) \times XB}{XA}$$

If $R < XA$ then $Z = R1 - \sqrt{R1^2 - R^2}$
 else $Z = ZB + R2 - \sqrt{R2^2 - (R - XB)^2}$

$$R1 = 1688.40$$

$$R2 = 1568.29$$

$$XA = 93.62 \text{ (transition)}$$

Fig.6 Screen reference points.

'Black Line S' colour picture tube

A66EAK552X

Sagittal heights with reference to screen centre at edge of the nominal useful screen

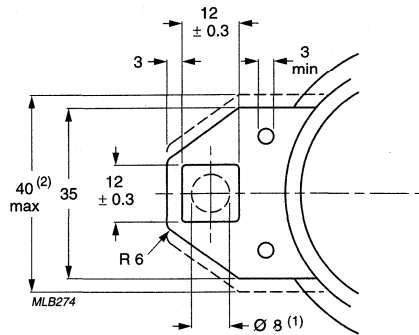
NOMINAL USEFUL SCREEN (NUS)			3 mm INSIDE NUS			10 mm OUTSIDE NUS		
COORDINATES		SAGITTAL HEIGHT	COORDINATES		SAGITTAL HEIGHT	COORDINATES		SAGITTAL HEIGHT
X (mm)	Y (mm)		X (mm)	Y (mm)		X (mm)	Y (mm)	
0.0 ⁽¹⁾	203.5	12.6	0.0	200.5	12.2	0.0	213.5	13.9
20.0	203.4	12.7	20.0	200.4	12.3	20.0	213.4	14.0
40.0	203.4	13.1	40.0	200.4	12.7	40.0	213.4	14.4
60.0	203.3	13.7	60.0	200.3	13.3	60.0	213.3	15.0
80.0	203.2	14.5	80.0	200.2	14.2	80.0	213.2	15.8
100.0	203.0	15.6	100.0	200.0	15.3	100.0	213.0	16.9
120.0	202.8	17.0	120.0	199.8	16.6	120.0	212.8	18.3
140.0	202.5	18.6	140.0	199.5	18.2	140.0	212.5	19.9
160.0	202.3	20.4	160.0	199.3	20.1	160.0	212.3	21.7
180.0	201.9	22.5	180.0	198.9	22.2	180.0	211.9	23.9
200.0	201.6	24.9	200.0	198.6	24.5	200.0	211.6	26.2
220.0	201.2	27.5	220.0	198.2	27.1	220.0	211.2	28.8
240.0	200.8	30.4	240.0	197.8	30.0	240.0	210.8	31.7
260.0	200.3	33.5	260.0	197.3	33.1	260.0	210.3	34.8
262.5	200.2	33.9	–	–	–	275.1	209.9	37.3
264.9 ⁽²⁾	199.0	34.2	262.5	197.2	33.5	275.4	200.0	36.1
265.5	197.3	34.0	–	–	–	–	–	–
265.9	180.0	32.0	262.9	180.0	31.5	276.0	180.0	33.8
266.5	160.0	30.0	263.5	160.0	29.5	276.5	160.0	31.7
266.9	140.0	28.1	263.9	140.0	27.6	276.9	140.0	29.9
267.3	120.0	26.6	264.3	120.0	26.0	277.3	120.0	28.3
267.6	100.0	25.2	264.6	100.0	24.7	277.6	100.0	26.9
267.9	80.0	24.1	264.9	80.0	23.6	277.9	80.0	25.9
268.1	60.0	23.3	265.1	60.0	22.8	278.1	60.0	25.0
268.3	40.0	22.7	265.3	40.0	22.2	278.3	40.0	24.4
268.4	20.0	22.3	265.4	20.0	21.8	278.4	20.0	24.0
268.4 ⁽³⁾	0.0	22.2	265.4	0.0	21.7	278.4	0.0	23.9

Notes

1. End of short axis.
2. End of diagonal axis.
3. End of long axis.

'Black Line S' colour picture tube

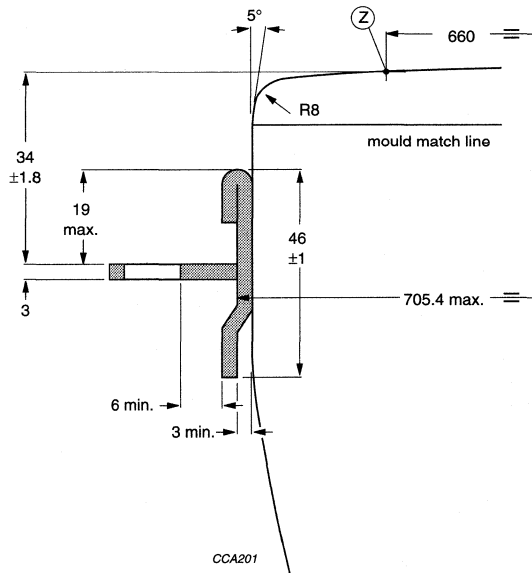
A66EAK552X



Dimensions in mm.

- (1) The position of the mounting screw in the cabinet must be within a circle of 8 mm diameter drawn around the true geometrical positions, i.e. the corners of a rectangle of 581.5 mm x 450.0 mm.
- (2) Minimum space to be reserved for mounting lug in cabinet.

Fig.7 Lug dimensions.



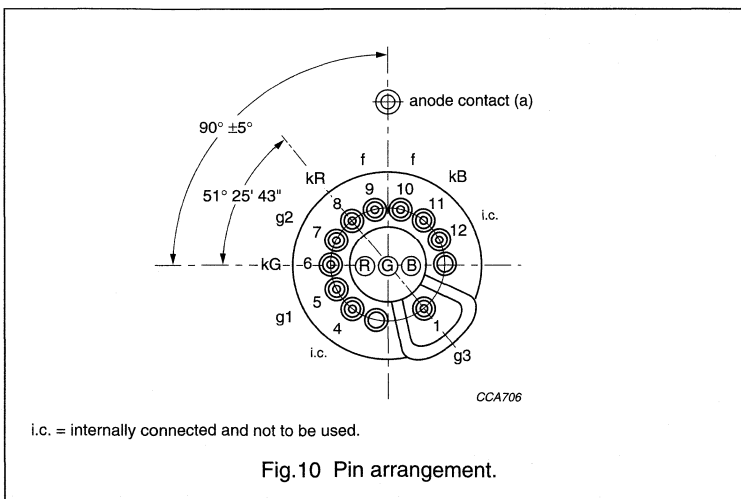
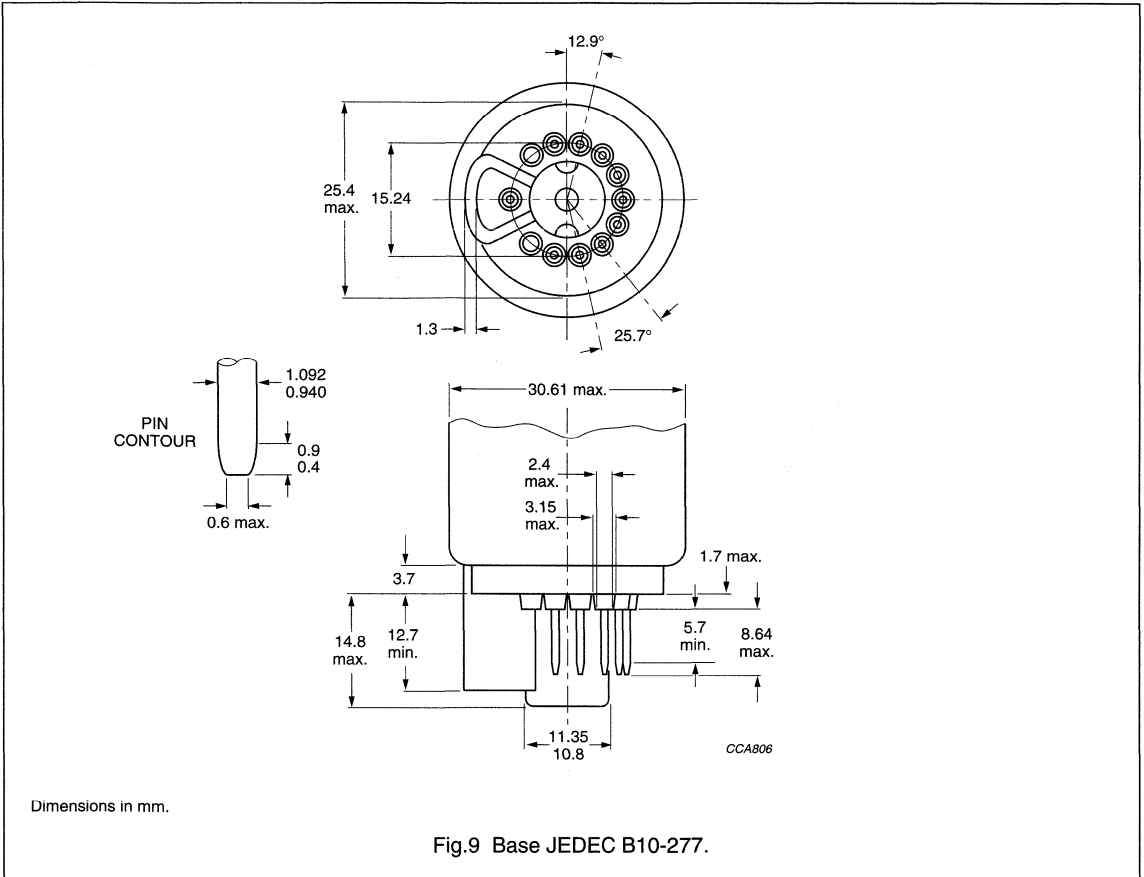
Dimensions in mm.

The displacement of any lug with respect to the plane through the three other lugs is max. 1.5 mm. This deviation is incorporated in the tolerance of ±1.8 mm.

Fig.8 Lug position.

'Black Line S' colour picture tube

A66EAK552X



Remarks: to Figs 9 and 10.

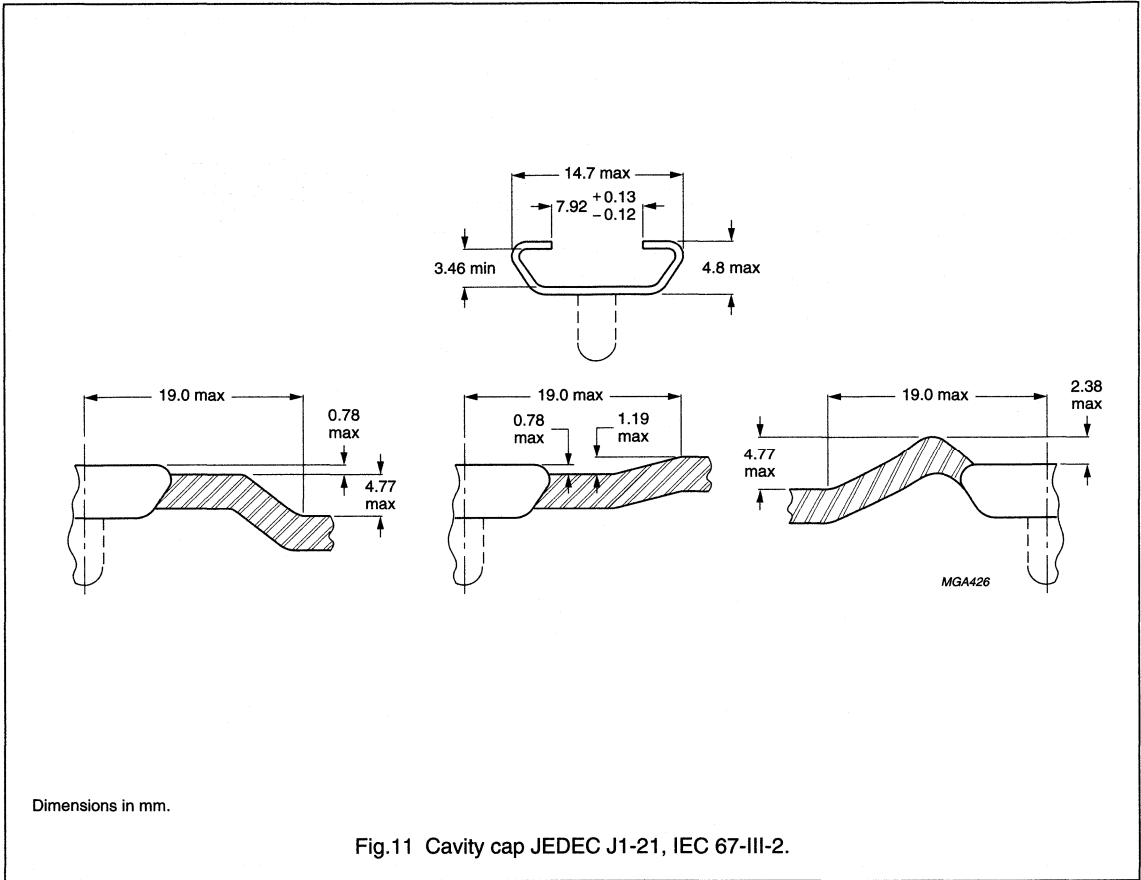
The socket for this base should not be rigidly mounted, it should have flexible leads and be allowed to move freely. After mounting the tube in the cabinet, note that the position of the base can fall within a circle, having a diameter of max. 55 mm concentric with an imaginary tube axis.

The mass of the mounting socket assembly should not exceed 150 g.

Maximum permissible torque on the tube neck is 0.04 Nm.

'Black Line S' colour picture tube

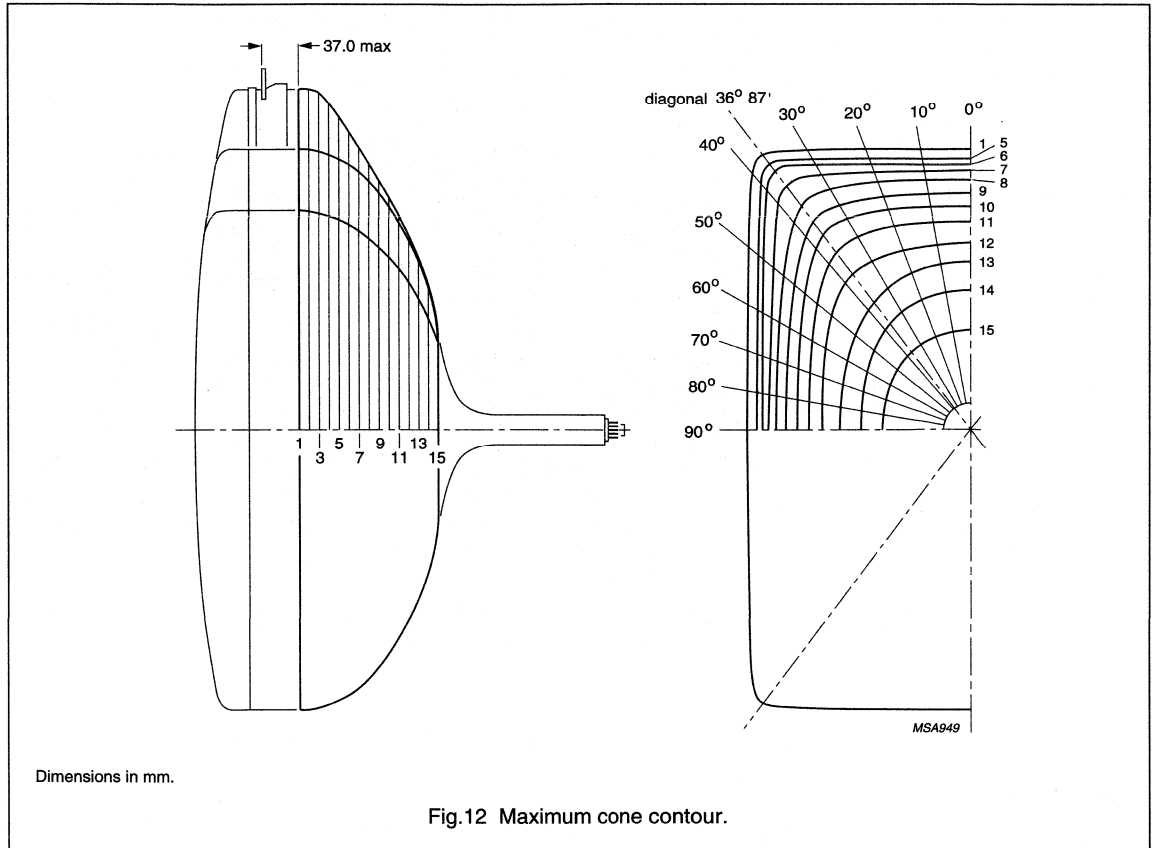
A66EAK552X



'Black Line S' colour picture tube

A66EAK552X

Cone contour



'Black Line S' colour picture tube

A66EAK552X

Cone contour data

SECTION	NOMINAL DISTANCE FROM SECTION 1 (mm)	MAXIMUM DISTANCE FROM TUBE AXIS (mm)										
		0°	10°	20°	30°	36°87	40°	50°	60°	70°	80°	90°
1	0	286.7	290.9	304.2	328.7	348.8	340.3	288.9	257.1	237.8	227.3	223.9
2	10.0	285.6	289.8	303.1	327.4	347.1	337.5	286.7	255.3	236.2	225.8	222.5
3	20.0	283.7	287.8	300.8	324.7	341.6	333.3	283.2	252.2	233.2	223.0	219.7
4	30.0	281.0	285.1	297.8	321.1	331.3	325.0	278.5	247.9	229.3	219.2	216.0
5	40.0	276.6	280.4	292.4	314.2	318.4	312.4	270.5	241.4	223.6	213.9	210.8
6	50.0	270.5	274.1	285.2	303.6	303.9	298.4	261.3	233.9	216.9	207.7	204.7
7	60.0	262.6	265.9	275.8	289.7	287.8	282.9	251.3	225.6	209.7	200.9	198.1
8	70.0	252.5	255.3	264.0	273.5	270.5	266.3	240.2	216.4	201.5	193.3	190.7
9	80.0	239.7	242.0	249.3	255.6	252.2	248.5	227.1	205.4	191.7	184.1	181.7
10	90.0	224.0	226.0	232.0	236.0	232.5	229.2	211.2	191.6	179.1	172.2	170.0
11	100.0	206.2	207.9	213.0	215.7	212.1	208.9	192.3	174.6	163.3	157.0	155.0
12	110.0	185.8	187.2	191.4	192.7	189.0	186.0	171.1	155.4	145.4	139.8	138.0
13	120.0	161.7	162.7	165.5	165.5	162.0	159.5	147.8	134.7	126.3	121.6	120.1
14	130.0	131.3	132.0	134.1	133.9	131.5	129.9	122.3	112.6	106.0	102.3	101.1
15	140.0	93.2	93.3	93.5	93.2	92.4	91.9	89.6	86.4	83.8	82.3	81.8

HANDLING

During shipment and handling the tube should not be subjected to accelerations greater than 350 m/s² in any direction (at pulse ≤10 ms).

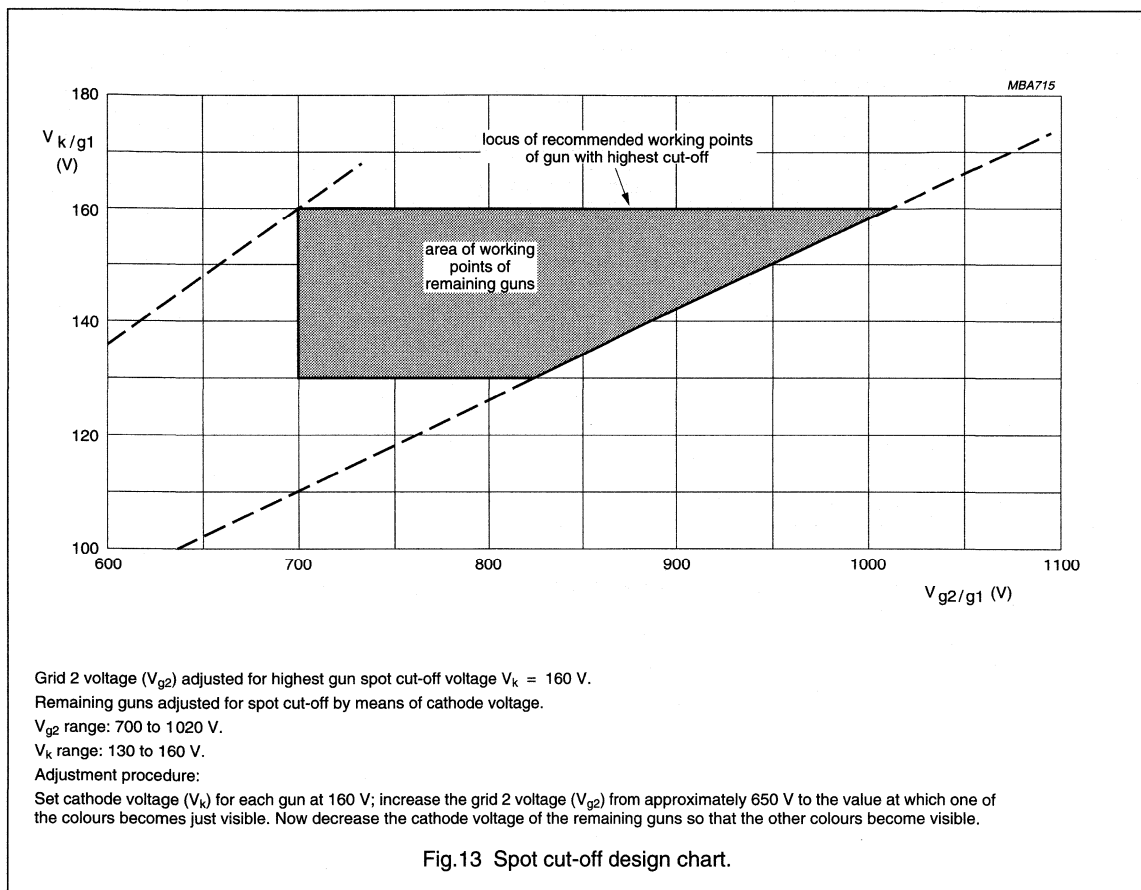
'Black Line S' colour picture tube

A66EAK552X

OPERATING DATA

The voltages are specified with respect to grid 1.

SYMBOL	PARAMETER	CONDITIONS	MIN.	TYP.	MAX.	UNIT
$V_{a,g4}$	anode voltage	at full screen load	–	27.5	–	kV
V_{g3}	grid 3 (focus electrode) voltage		8.0	–	9.1	kV
V_{g2}	grid 2 voltage	for spot cut-off voltage $V_k = 160$ V	700	–	1020	V
V_f	heater voltage	tube operating	–	6.15	–	V



'Black Line S' colour picture tube

A66EAK552X

CHASSIS DESIGN VALUES

The values are valid for anode voltages between 25 and 30 kV. The voltages are specified with respect to grid 1.

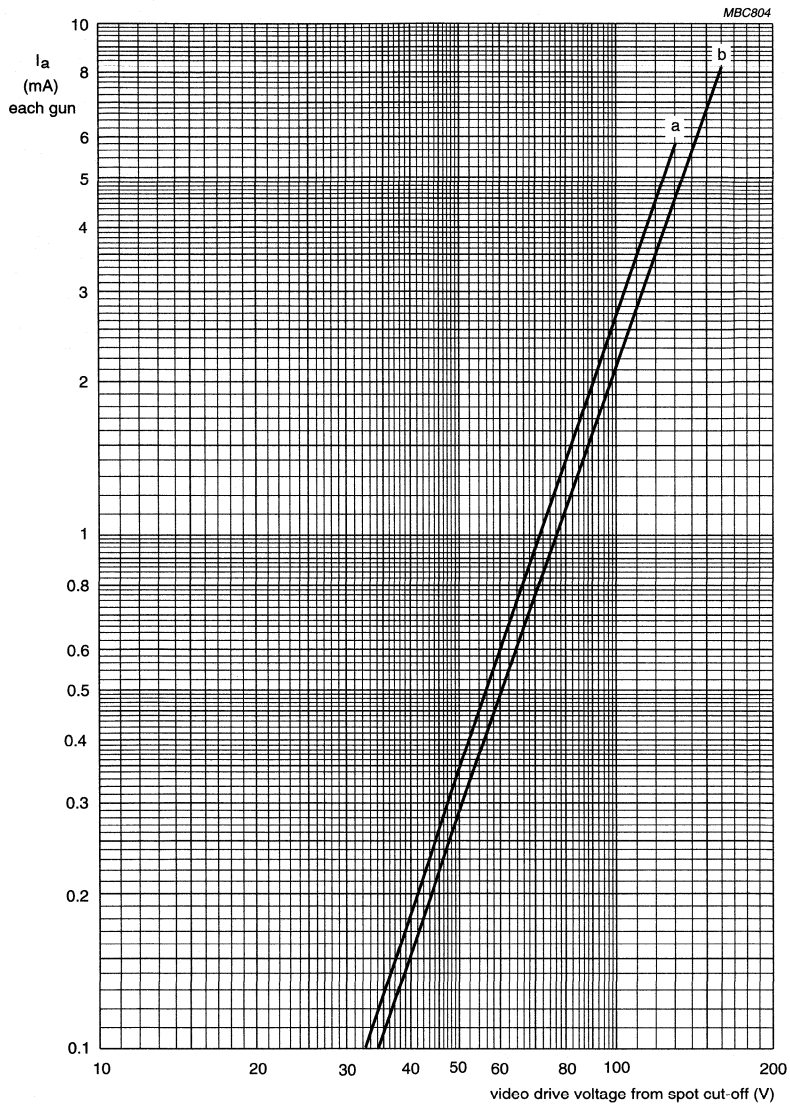
SYMBOL	PARAMETER	CONDITIONS	MIN.	TYP.	MAX.	UNIT
V_{g3}	grid 3 (focus electrode) voltage as a percentage of anode voltage		29	–	33	%
V_{g2} and V_k	grid 2 voltage and cathode voltage	for visual extinction of focused spot	see Fig.13			
ΔV_k	difference in cut-off voltage between guns in any tube		lowest value >80% of highest value			
V_f	heater voltage	operating	–	6.15	–	V
	video drive characteristics		note 1 and Fig.14			
I_{g3}	grid 3 (focus electrode) current		–2	–	2	μA
I_{g2}	grid 2 current		–2	–	2	μA
I_{g1}	grid 1 current	under cut-off conditions	–2	–	2	μA
R_{ins}	insulation resistance	each cathode to grid 1 and heater	50	–	–	$\text{M}\Omega$
Anode currents to produce white of 6500 K + 7 MPCD (CIE coordinates: x = 0.313; y = 0.329)						
PERCENTAGE OF THE TOTAL ANODE CURRENT SUPPLIED BY EACH GUN (TYPICAL)						
	red gun		–	41.3	–	%
	green gun		–	34.4	–	%
	blue gun		–	24.3	–	%
RATIO OF ANODE CURRENTS						
	red gun to green gun		0.85	1.20	1.55	
	red gun to blue gun		1.20	1.70	2.20	
	blue gun to green gun		0.40	0.70	1.00	

Note

- For optimum picture performance it is recommended that the cathodes are not driven below +1 V with respect to grid 1.

'Black Line S' colour picture tube

A66EAK552X



$V_f = 6.15$ V.

$V_{a,g4} = 27.5$ kV.

V_{g3} adjusted for focus.

V_{g2} (each gun) adjusted to provide spot cut-off for $V_k = 130$ V (curve a) and $V_k = 160$ V (curve b).

Fig.14 Typical cathode drive characteristics.

'Black Line S' colour picture tube

A66EAK552X

LIMITING VALUES

In accordance with the Absolute Maximum Rating System (IEC 134). The voltages are specified with respect to grid 1.

SYMBOL	PARAMETER	CONDITIONS	MIN.	MAX.	UNIT
V _a	anode voltage	note 1	25 ⁽²⁾	32 ⁽³⁾	kV
I _a	long-term average current for three guns	note 4	–	1 300	μA
V _{g3}	grid 3 (focus electrode) voltage	note 5	–	12	kV
V _{g2}	grid 2 voltage	note 6	–	1 200	V
V _f	heater voltage	note 7	5.7	6.6 ⁽³⁾	V
Cathode voltage					
V _k	positive	operating	–	250	V
		during blanking	–	400	V
V _k	positive operating cut-off		–	200	V
V _k	negative		–	0	V
V _{kp}	negative peak		–	–2	V
Cathode to heater voltage					
V _{kf}	positive		–	250	V
V _{kfp}	positive peak		–	300	V
V _{kf}	negative		–	0	V
V _{kfp}	negative peak		–	–50	V
Circuit values					
R _{g3}	grid 3 circuit resistance		–	70	MΩ
R _{g2}	grid 2 circuit resistance		–	7	MΩ
R _{g1k}	grid 1 to cathode circuit resistance (each gun)		–	750	kΩ

Notes

1. During adjustment on the production line this value is likely to be surpassed considerably. It is therefore strongly recommended to first make the necessary adjustments for normal operation without the picture tube.
2. Operation of the tube at lower voltages impairs the luminance and resolution and may impair the convergence.
3. This value is an absolute maximum.
4. The short-term average anode current should be limited by circuitry to 1 800 μA.
5. During flashover conditions maximum 20 kV is permitted (see Chapter "Flashover protection").
6. During adjustment on the production line maximum 1 500 V is permitted.
7. For maximum cathode life and optimum performance it is recommended that the heater supply is designed for 6.15 V at average beam current, for most applications this equals 6.3 V at zero beam current.

BEAM CENTRING

Maximum centring error in any direction is 4 mm.

'Black Line S' colour picture tube

A66EAK552X

FLASHOVER PROTECTION

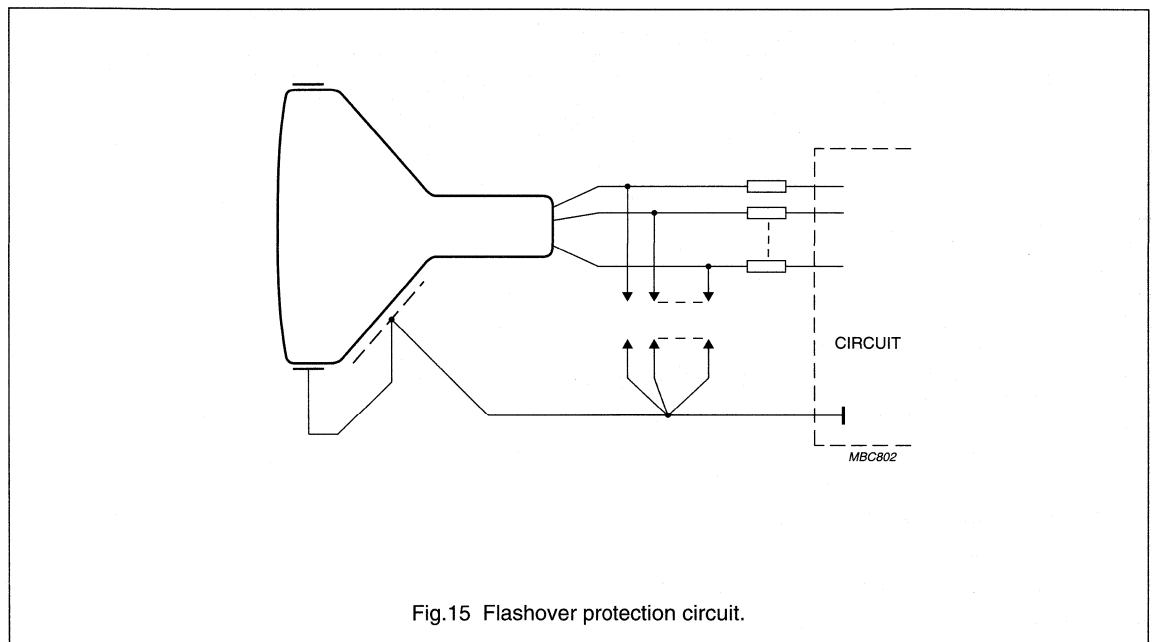
The high voltages used with this tube (absolute max. 32 kV) may produce internal flashovers. Soft-flash technology limits these flashover currents to approximately 60 A offering higher reliability, optimum circuit protection and component savings.

Primary protective circuitry using properly grounded spark gaps and series isolation resistors (preferably carbon composition) is still necessary

to prevent tube damage. The spark gaps should be connected to all picture tube electrodes (except the tube heaters) at the tube socket in accordance with Fig. 15. No other connections between the outer conductive coating and the chassis are permissible. The spark gaps should be designed for a maximum breakdown voltage at the focus electrode (g_3) of approximately 19 to 20 kV and at the other electrodes of 2 kV at the lowest operating atmospheric pressure.

The values of the series isolation resistors should be as high as possible (min. 0.5 k Ω) without causing deterioration of circuit performance. The resistors should be able to withstand an instantaneous surge of 20 kV for the focus circuit and 12 kV for the remaining circuits without arcing.

To guarantee the soft flash behaviour, the internal dynamic resistance of the tube during flashover is minimum 400 Ω and maximum 800 Ω .

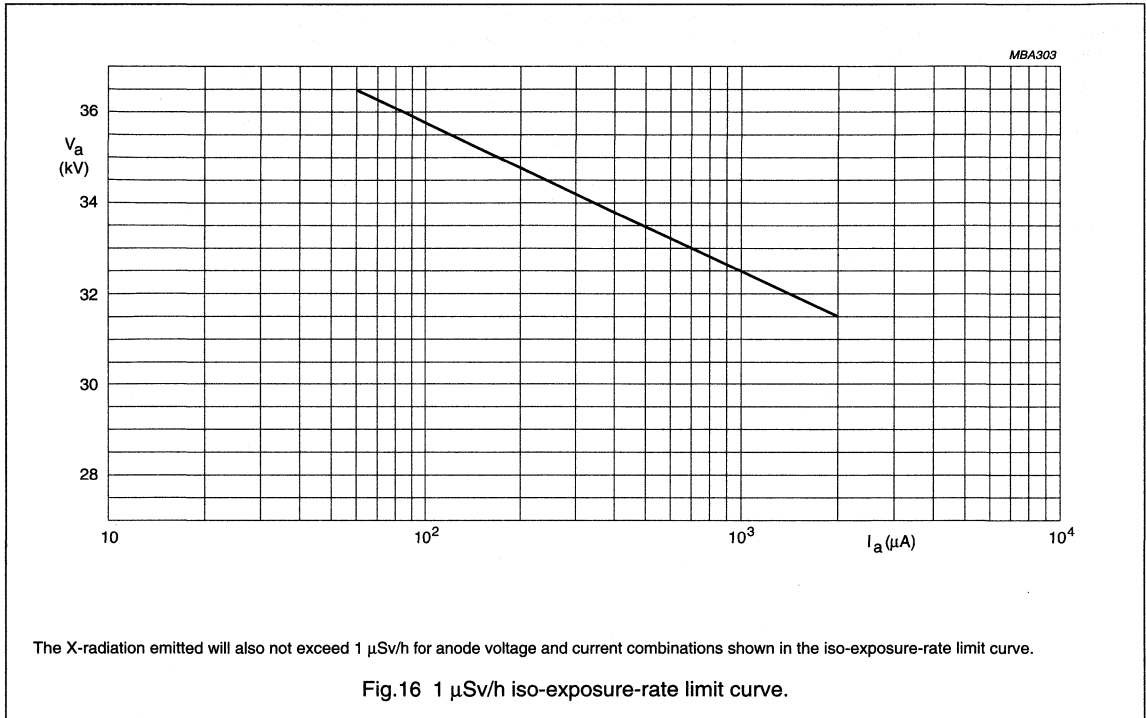


'Black Line S' colour picture tube

A66EAK552X

X-RADIATION

The tube does not emit X-radiation above 1 $\mu\text{Sv/h}$ when operated at 30 kV and 1.8 mA.



'Black Line S' colour picture tube

A66EAK552X

DEGAUSSING

The picture tube is provided with an internal magnetic shield. This shield and the shadow mask with its suspension system may be provided with an automatic degaussing system, consisting of one single coil mounted on the cone of the picture tube.

For proper degaussing an initial magnetomotive force (MMF) of 400 ampere-turns is required. This MMF has to be gradually decreased with a maximum of 25% per half period, using appropriate degaussing circuitry. In the steady state, no significant MMF should remain in the coil(s) (≤ 0.15 ampere-turns). Switch-off of the degaussing current is permitted at a peak $MMF \leq 4$ ampere-turns.

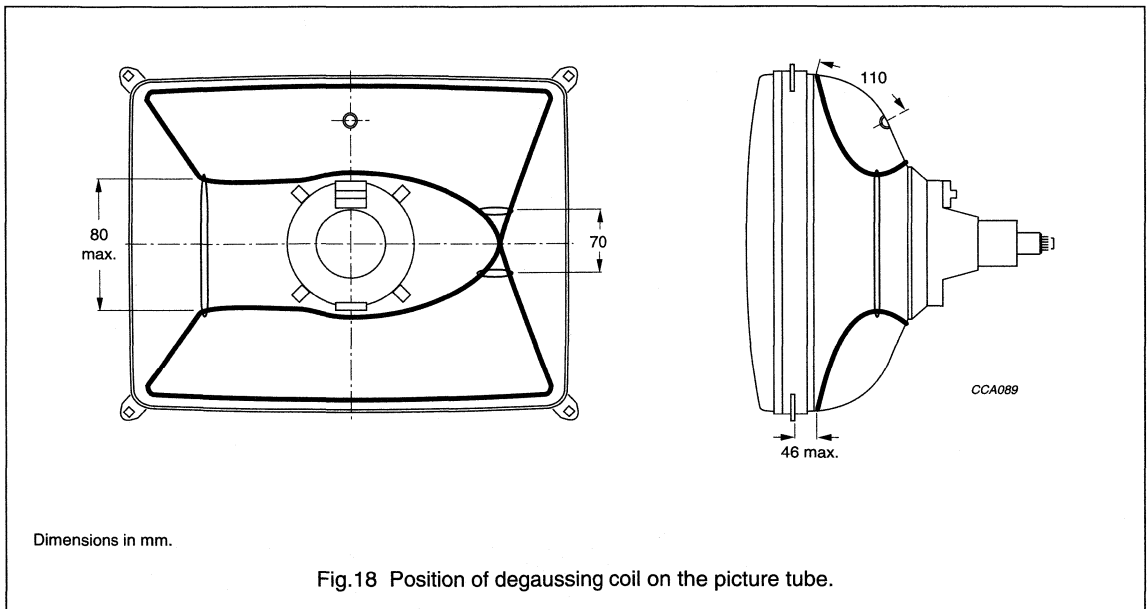
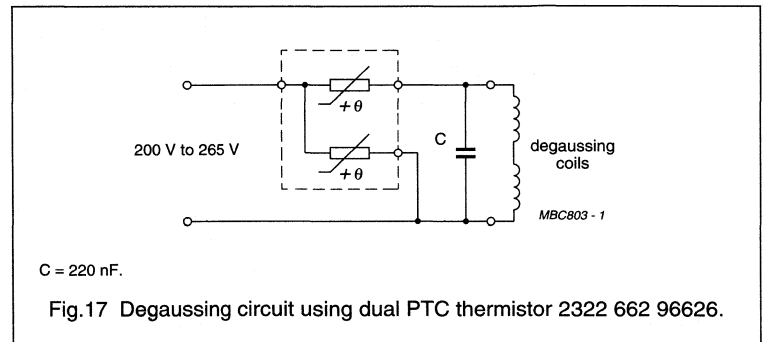
To prevent beam landing disturbances by line-frequency currents induced in the degaussing coils, these coils should be shunted by a capacitor of sufficiently high value.

If single-phase power rectification is employed in the TV circuitry, provision should be included to prevent asymmetric distortion of the AC voltage applied to the degaussing circuit due to high DC inrush currents.

An example of a degaussing circuit and coil data is given in Fig.17 and Table "Degaussing coil data".

Degaussing coil data

PARAMETER	TYP.	UNIT
Circumference	317	cm
Number of turns	70	
Copper wire diameter	0.4	mm
Resistance	29	Ω



FS 'Black Line S' colour picture tube assembly

A66EAK552X01

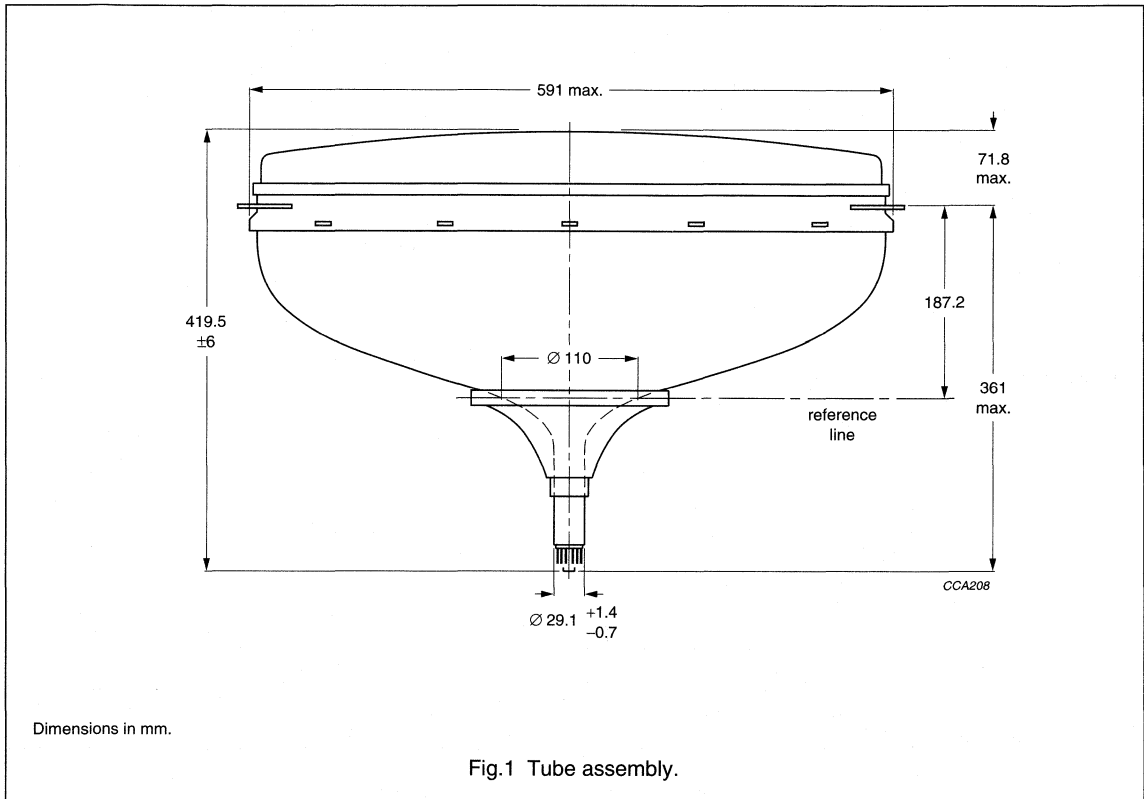
FEATURES

- Factory preset tube/coil assembly
- Self-converging and north-south raster correction free
- 66 cm, 110° colour picture tube A66EAK552X
- Double saddle deflection unit.

QUICK REFERENCE DATA

PARAMETER	TYP.	UNIT
Deflection angle	110	deg
Minimum useful screen diagonal	66	cm
Overall length	42	cm
Neck diameter	29.1	mm
Anode voltage	27.5	kV

MECHANICAL DATA



Black Line S

FS 'Black Line S'
colour picture tube assembly

A66EAK552X01

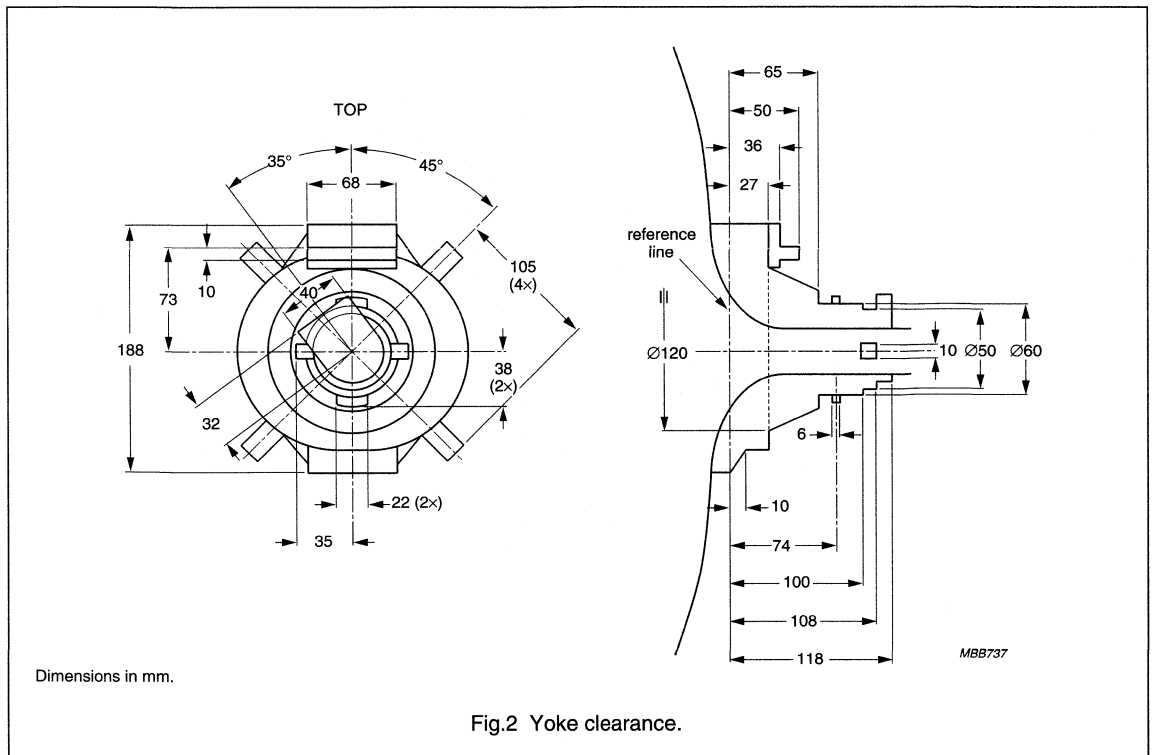


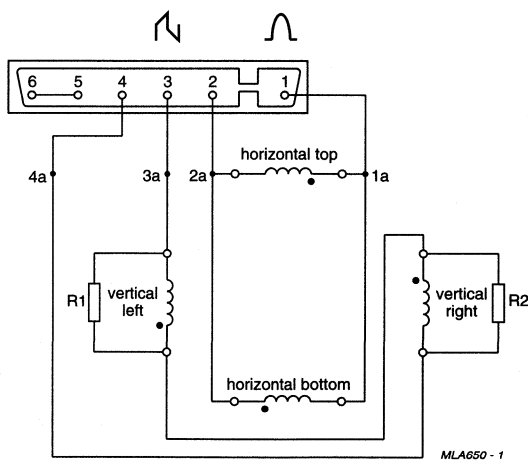
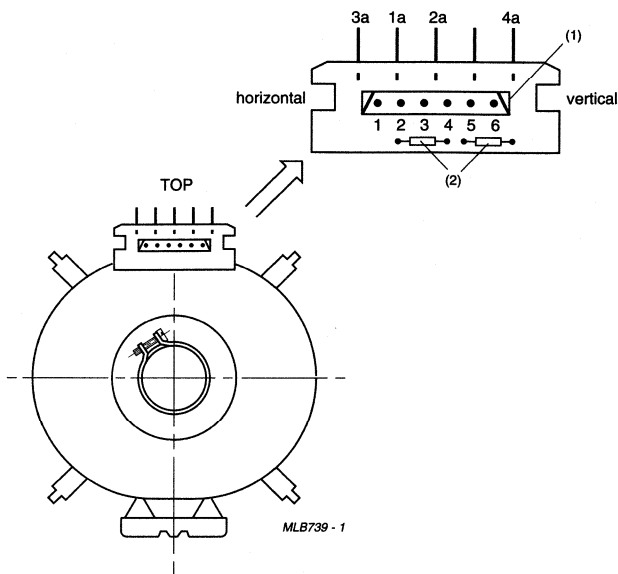
Fig.2 Yoke clearance.

DEFLECTION COIL DATA

PARAMETER	CONDITIONS	VALUE	UNIT
Horizontal coils, parallel connected			
Inductance	1 V (RMS); 1 kHz	1.84	mH
Resistance	T _{amb} = 25 °C	1.8	Ω
Magnetic flux	V _a = 27.5 kV	8.2 ±5%	mWb
Horizontal deflection current (peak-to-peak value)	edge-to-edge; V _a = 27.5 kV	4.44	A
Vertical coils, series connected			
Inductance	1 V (RMS); 1 kHz	10.70	mH
Resistance	T _{amb} = 25 °C	6.2	Ω
Vertical deflection current (peak-to-peak value)	edge-to-edge; V _a = 27.5 kV	1.85	A

FS 'Black Line S'
colour picture tube assembly

A66EAK552X01



The beginning of the windings is indicated with •

(1) Main connector: Stocko series MKS 2820; matching socket connector Stocko series MKF 2800.

(2) $R1 = R2 = 100 \Omega, 0.25 \text{ W}$.

Fig.3 Deflection coil connections.

FS 'Black Line S' colour picture tube assembly

A66EAK552X11

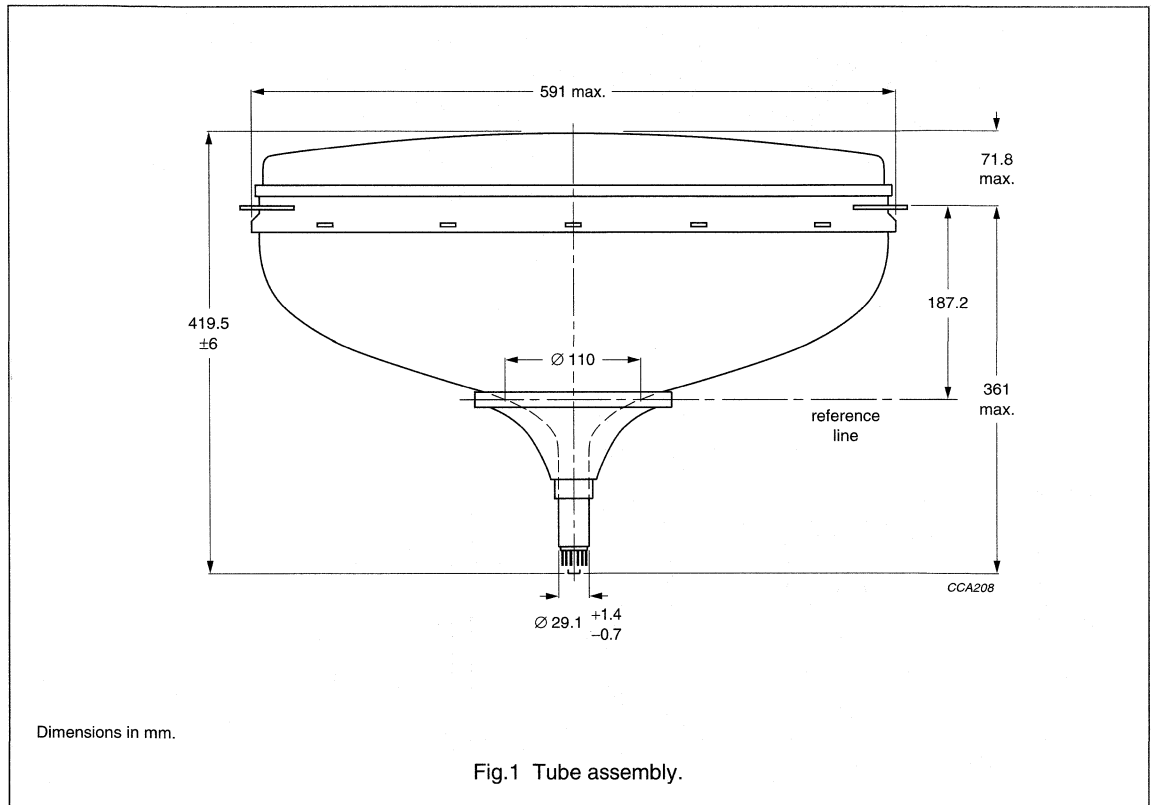
FEATURES

- Factory preset tube/coil assembly
- Self-converging and north-south raster correction free
- 66 cm, 110° colour picture tube A66EAK552X
- Double saddle deflection unit.

QUICK REFERENCE DATA

PARAMETER	TYP.	UNIT
Deflection angle	110	deg
Minimum useful screen diagonal	66	cm
Overall length	42	cm
Neck diameter	29.1	mm
Anode voltage	27.5	kV

MECHANICAL DATA

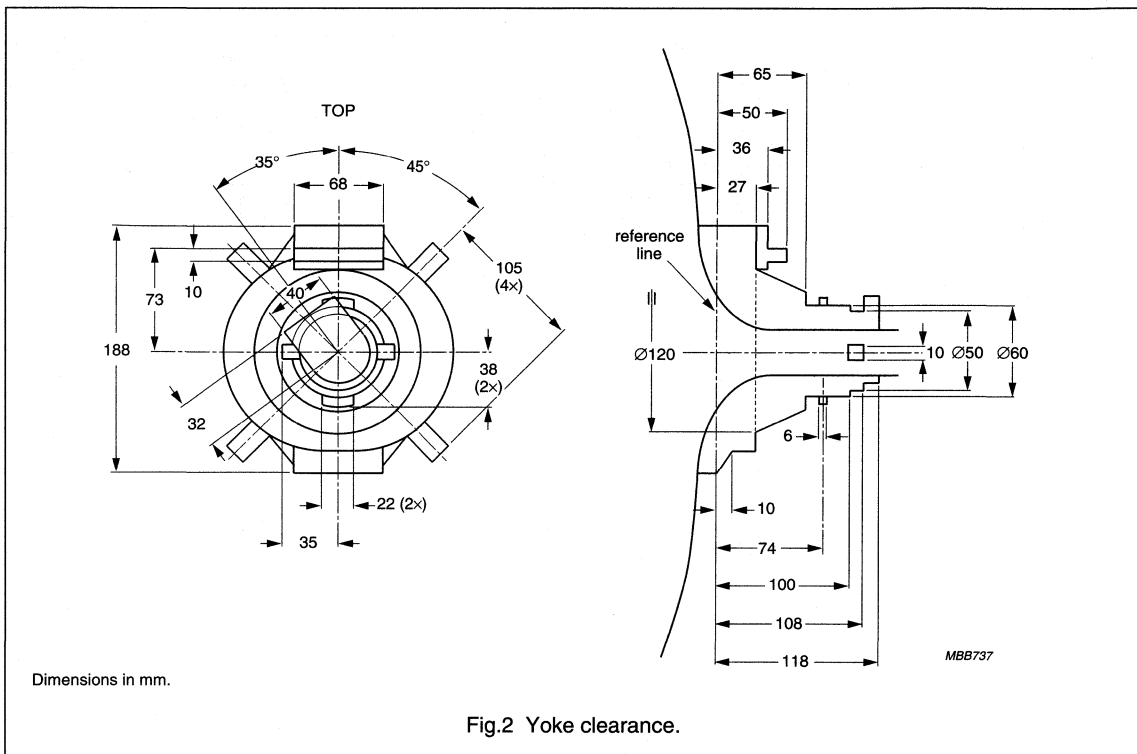


Black Line S

FS 'Black Line S'

colour picture tube assembly

A66EAK552X11

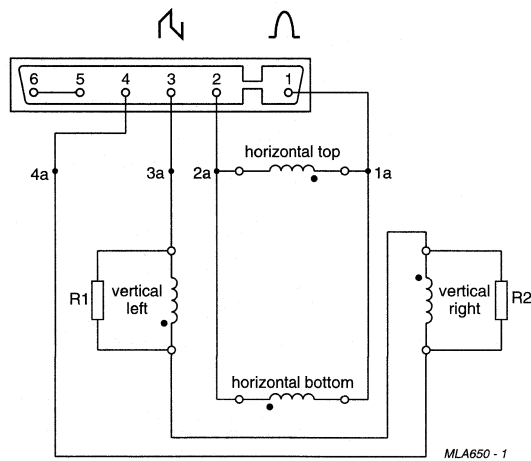
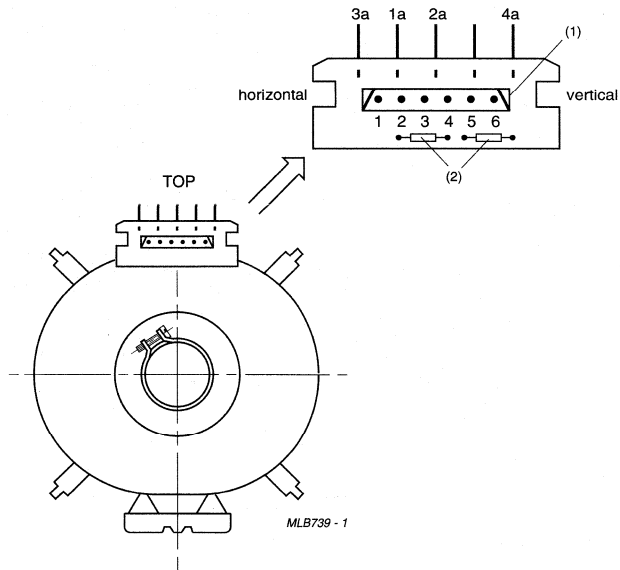


DEFLECTION COIL DATA

PARAMETER	CONDITIONS	TYP.	UNIT
Horizontal coils, parallel connected			
Inductance	1 V (RMS); 1 kHz	1.58	mH
Resistance	$T_{amb} = 25\text{ }^{\circ}\text{C}$	1.6	Ω
Magnetic flux	$V_a = 27.5\text{ kV}$	$7.5 \pm 5\%$	mWb
Horizontal deflection current (peak-to-peak value)	edge-to-edge; $V_a = 27.5\text{ kV}$	4.79	A
Vertical coils, series connected			
Inductance	1 V (RMS); 1 kHz	8.63	mH
Resistance	$T_{amb} = 25\text{ }^{\circ}\text{C}$	5.0	Ω
Vertical deflection current (peak-to-peak value)	edge-to-edge; $V_a = 27.5\text{ kV}$	2.04	A

FS 'Black Line S'
colour picture tube assembly

A66EAK552X11



The beginning of the windings is indicated with •

(1) Main connector: Stocko series MKS 2820; matching socket connector Stocko series MKF 2800.

(2) $R1 = R2 = 100 \Omega, 0.25 \text{ W}$.

Fig.3 Deflection coil connections.

FS 'Black Line S' colour picture tube assembly

A66EAK552X21

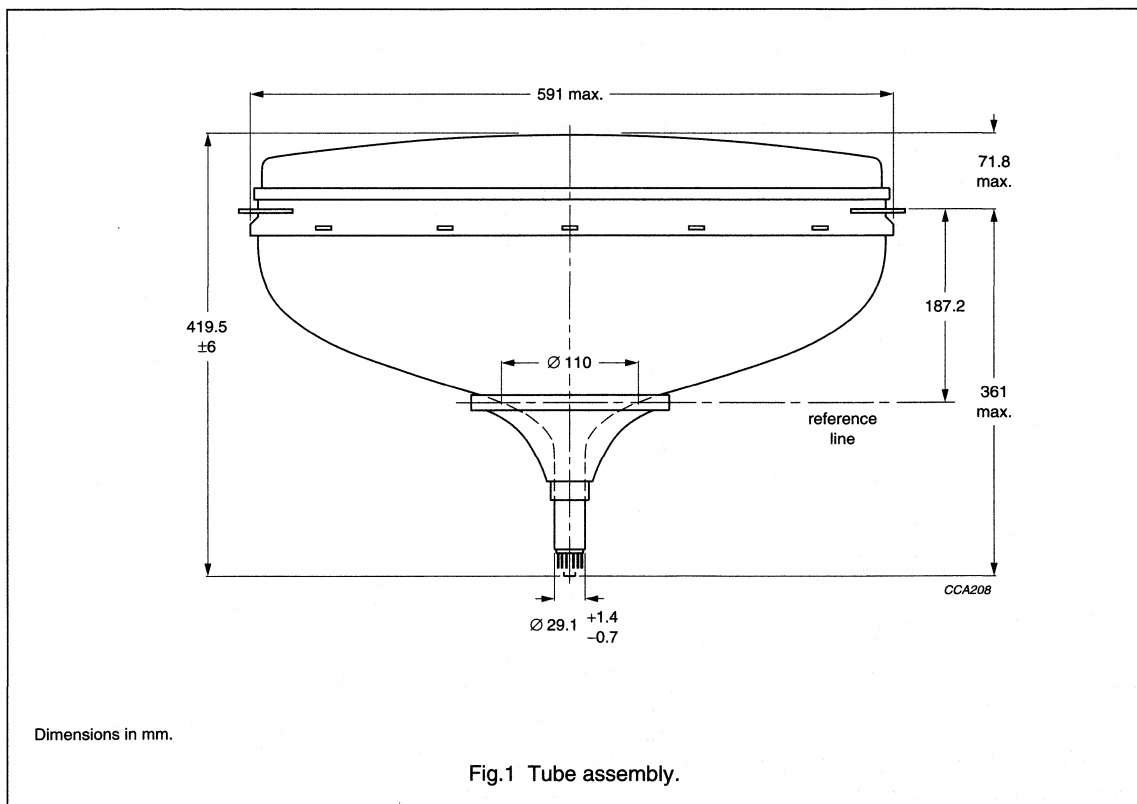
FEATURES

- Factory preset tube/coil assembly
- Self-converging and north-south raster correction free
- 66 cm, 110° colour picture tube A66EAK552X
- Double saddle deflection unit
- Scan Velocity Modulation (SVM) for improved picture sharpness.

QUICK REFERENCE DATA

PARAMETER	TYP.	UNIT
Deflection angle	110	deg
Minimum useful screen diagonal	66	cm
Overall length	42	cm
Neck diameter	29.1	mm
Anode voltage	27.5	kV

MECHANICAL DATA

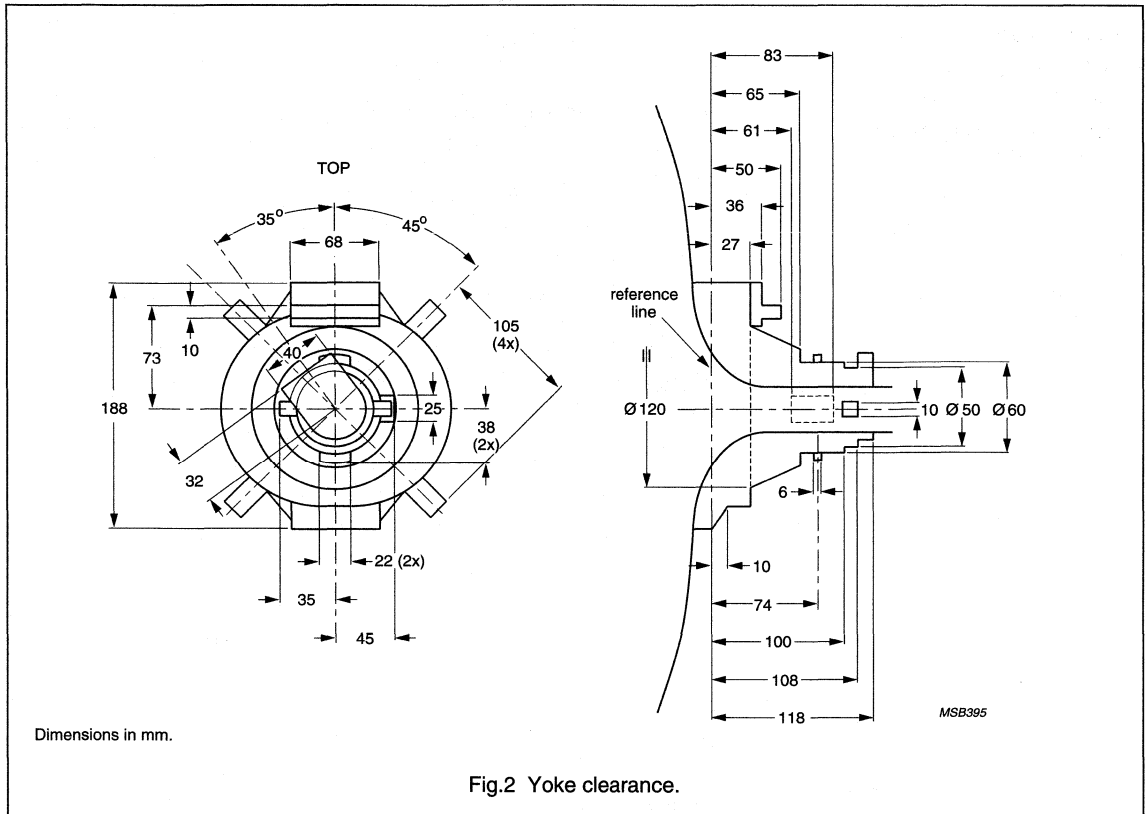


Black Line S

FS 'Black Line S'

colour picture tube assembly

A66EAK552X21

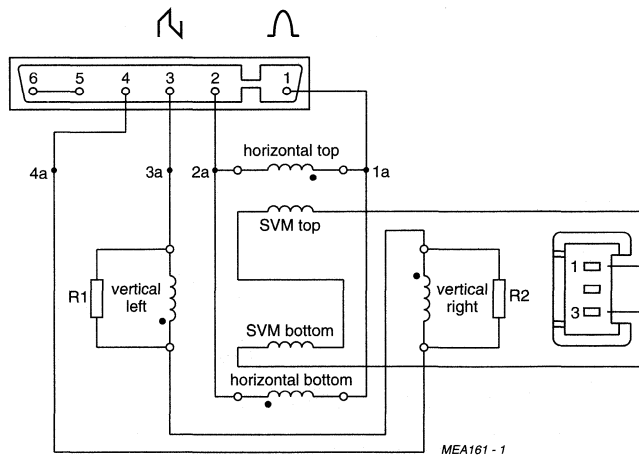
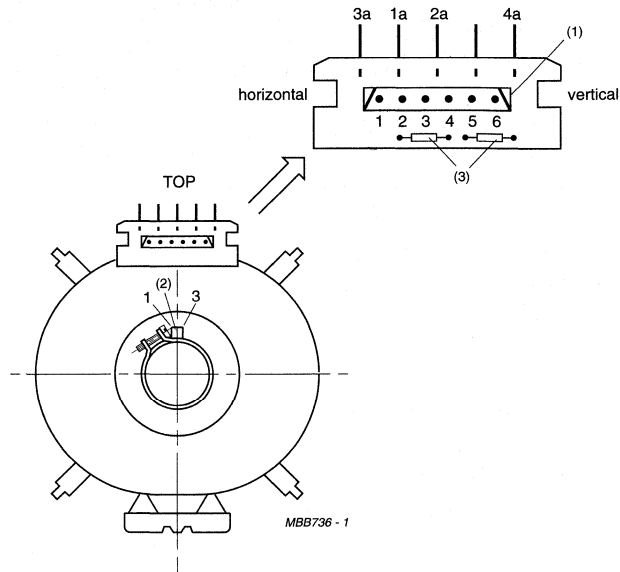


DEFLECTION COIL DATA

PARAMETER	CONDITIONS	TYP.	UNIT
Horizontal coils, parallel connected			
Inductance	1 V (RMS); 1 kHz	1.58	mH
Resistance	$T_{amb} = 25\text{ }^{\circ}\text{C}$	1.6	Ω
Magnetic flux	$V_a = 27.5\text{ kV}$	$7.5 \pm 5\%$	mWb
Horizontal deflection current (peak-to-peak value)	edge-to-edge; $V_a = 27.5\text{ kV}$	4.79	A
Vertical coils, series connected			
Inductance	1 V (RMS); 1 kHz	8.63	mH
Resistance	$T_{amb} = 25\text{ }^{\circ}\text{C}$	5.0	Ω
Vertical deflection current (peak-to-peak value)	edge-to-edge; $V_a = 27.5\text{ kV}$	2.04	A
SVM coils			
Inductance	1 V (RMS); 1 kHz	4.2	μH
Resistance	$T_{amb} = 25\text{ }^{\circ}\text{C}$	1.6	Ω
Sensitivity in X-direction	at screen centre	2.1	mm/A

FS 'Black Line S'
colour picture tube assembly

A66EAK552X21



The beginning of the windings is indicated with •

- (1) Main connector: Stocko series MKS 2820; matching socket connector Stocko series MKF 2800.
- (2) SVM connector: Stocko system RFK 1 (MKS series); matching connector MKF17033, MKF17330 or MKF17360 series.
- (3) $R1 = R2 = 100 \Omega, 0.25 \text{ W}$.

Fig.3 Deflection coil connections.

FS 'Black Line S'
colour picture tube assembly

A66EAK552X44

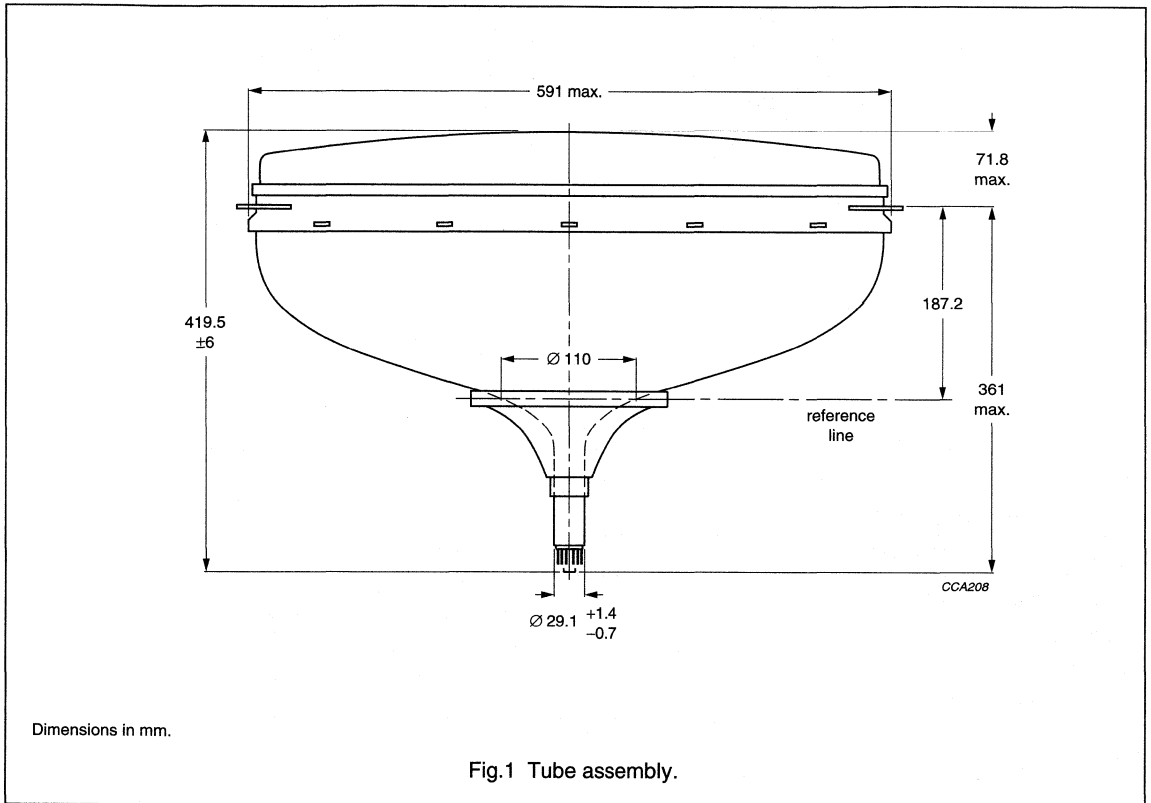
FEATURES

- 100 Hz vertical repetition
- Factory preset tube/coil assembly
- Self-converging and north-south raster correction free
- 66 cm, 110° colour picture tube A66EAK552X
- Double saddle deflection unit.

QUICK REFERENCE DATA

PARAMETER	TYP.	UNIT
Deflection angle	110	deg
Minimum useful screen diagonal	66	cm
Overall length	42	cm
Neck diameter	29.1	mm
Anode voltage	27.5	kV

MECHANICAL DATA

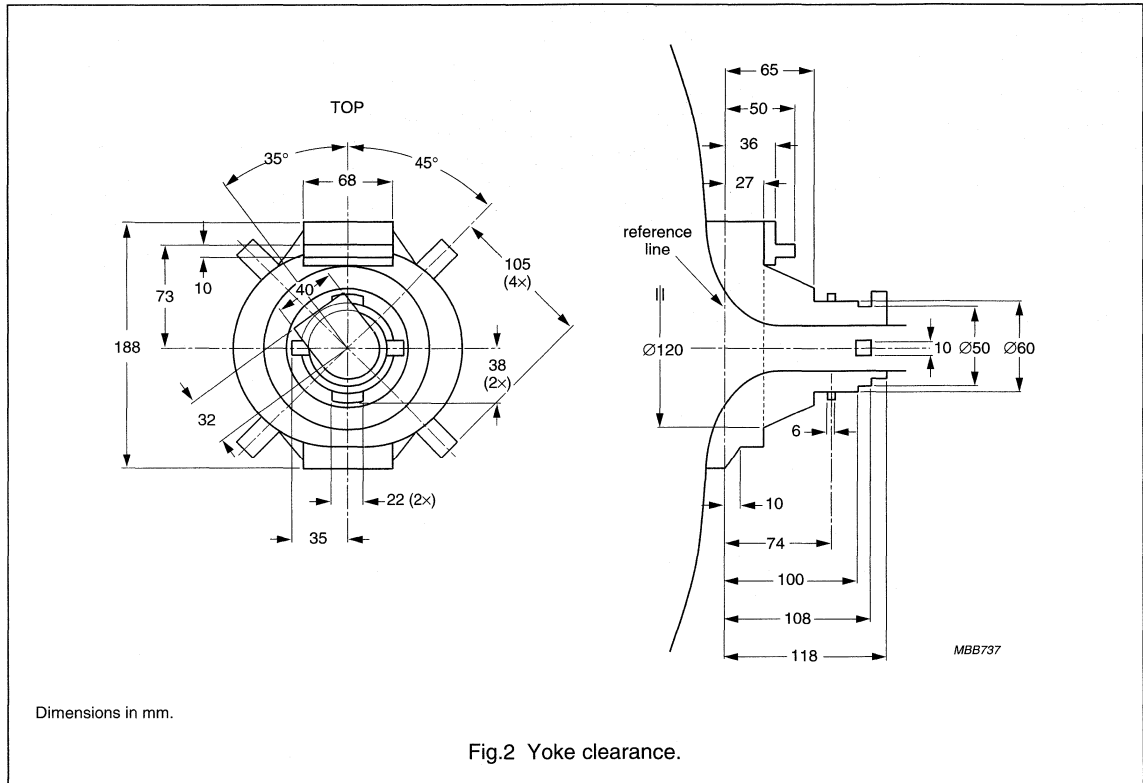


Black Line S

FS 'Black Line S'

colour picture tube assembly

A66EAK552X44



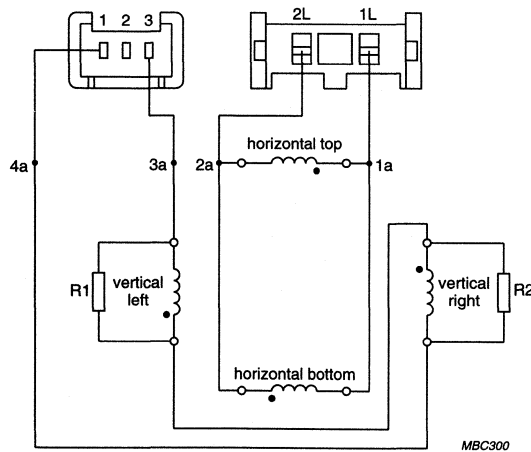
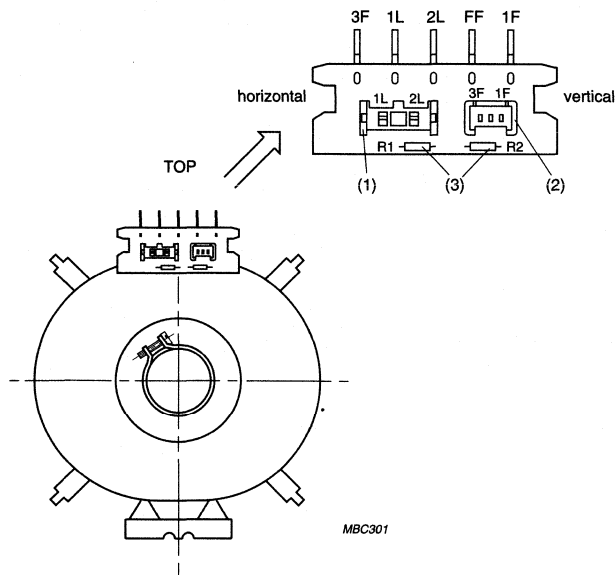
DEFLECTION COIL DATA

PARAMETER	CONDITIONS	TYP.	UNIT
Horizontal coils, parallel connected			
Inductance	1 V (RMS); 1 kHz	0.35	mH
Resistance	$T_{amb} = 25\text{ }^{\circ}\text{C}$	0.40	Ω
Magnetic flux		$3.6 \pm 5\%$	mWb
Horizontal deflection current (peak-to-peak value)	edge-to-edge; $V_a = 27.5\text{ kV}$	10.3	A
Vertical coils, series connected			
Inductance	1 V (RMS); 1 kHz	6.1	mH
Resistance	$T_{amb} = 25\text{ }^{\circ}\text{C}$	3.45	Ω
Vertical deflection current (peak-to-peak value)	edge-to-edge; $V_a = 27.5\text{ kV}$	2.45	A

FS 'Black Line S'

colour picture tube assembly

A66EAK552X44



The beginning of the windings is indicated with •

- (1) Horizontal connector: AMP Ultrex connection system; connector 2-173270-2; matching connector 2-173268-2.
- (2) Vertical connector: Stocko system RFK1 (MKS series); matching connector MKF17033, MKF17330 or MKF17360 series.
- (3) $R1 = R2 = 100 \Omega$, 0.25 W.

Fig.3 Deflection coil connections.

FS 'Black Line S' colour picture tube assembly

A66EAK552X54

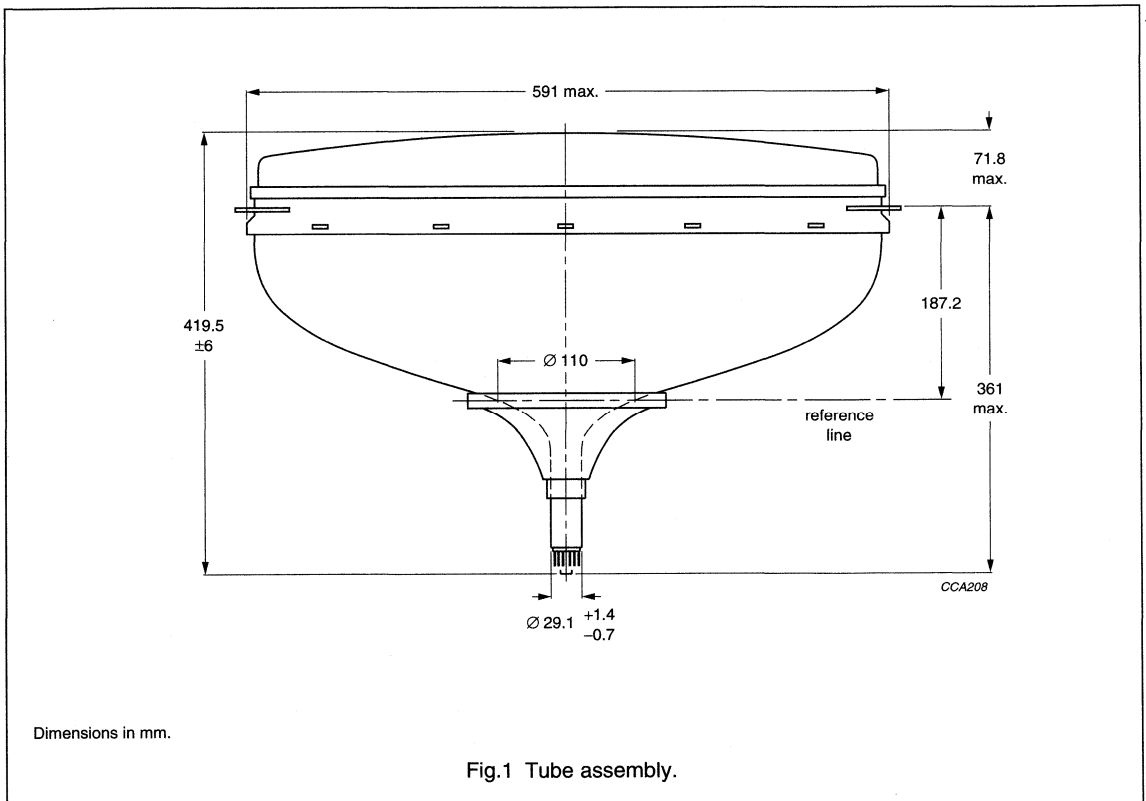
FEATURES

- 100 Hz vertical repetition
- Factory preset tube/coil assembly
- Self-converging and north-south raster correction free
- 66 cm, 110° colour picture tube A66EAK552X
- Double saddle deflection unit
- Scan Velocity Modulation (SVM) for improved picture sharpness.

QUICK REFERENCE DATA

PARAMETER	TYP.	UNIT
Deflection angle	110	deg
Minimum useful screen diagonal	66	cm
Overall length	42	cm
Neck diameter	29.1	mm
Anode voltage	27.5	kV

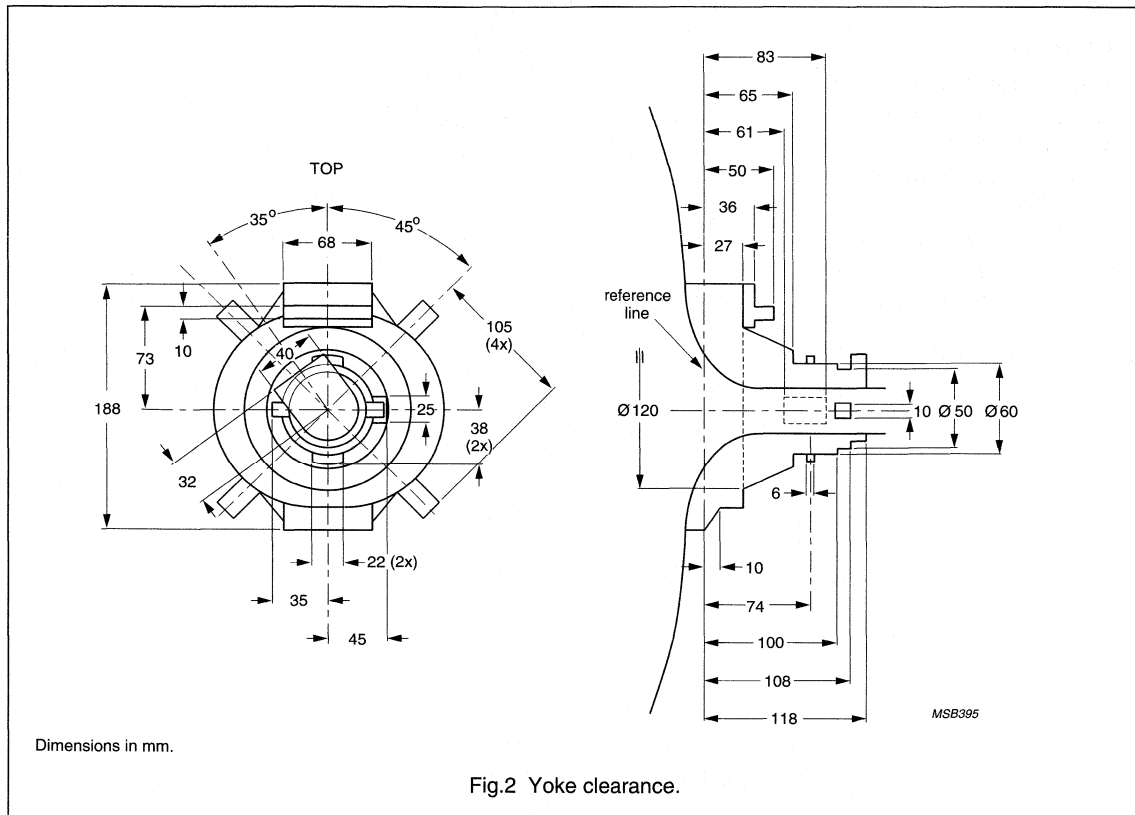
MECHANICAL DATA



Black Line S

FS 'Black Line S'
colour picture tube assembly

A66EAK552X54

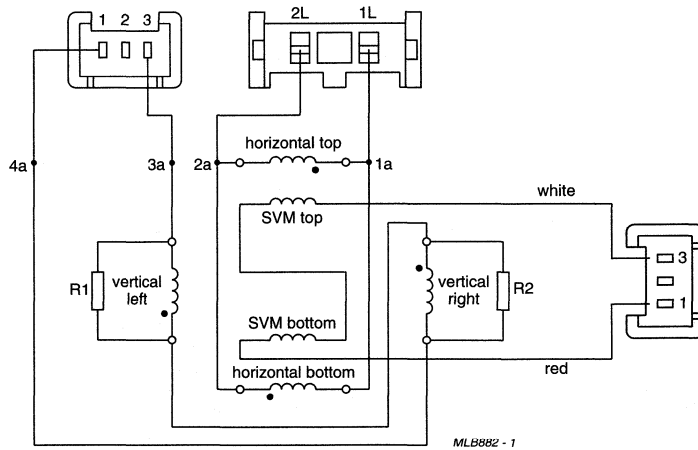
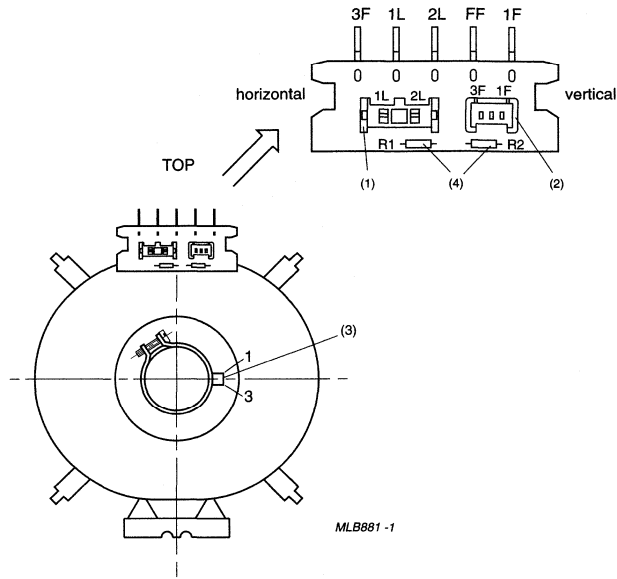


DEFLECTION COIL DATA

PARAMETER	CONDITIONS	TYP.	UNIT
Horizontal coils, parallel connected			
Inductance	1 V (RMS); 1 kHz	0.35	mH
Resistance	T _{amb} = 25 °C	0.40	Ω
Magnetic flux	V _a = 27.5 kV	3.6 ±5%	mWb
Horizontal deflection current (peak-to-peak value)	edge-to-edge; V _a = 27.5 kV	10.3	A
Vertical coils, series connected			
Inductance	1 V (RMS); 1 kHz	6.1	mH
Resistance	T _{amb} = 25 °C	3.45	Ω
Vertical deflection current (peak-to-peak value)	edge-to-edge; V _a = 27.5 kV	2.45	A
SVM coils			
Inductance	1 V (RMS); 1 kHz	4.2	μH
Resistance	T _{amb} = 25 °C	1.6	Ω
Sensitivity in X-direction	at screen centre	2.1	mm/A

FS 'Black Line S'
colour picture tube assembly

A66EAK552X54



The beginning of the windings is indicated with •

- (1) Horizontal connector: AMP Ultrex connection system; connector 2-173270-2; matching connector 2-173268-2.
- (2) Vertical connector: Stocko system RFK1 (MKS series); matching connector MKF17033, MKF17330 or MKF17360 series.
- (3) SVM connector: Stocko system RFK1 (MKS series); matching connector MKF17033, MKF17330 or MKF17360 series.
- (4) $R1 = R2 = 100 \Omega, 0.25 \text{ W}$.

Fig.3 Deflection coil connections.

'Black Line SF' colour picture tube**A68ESF002X****FEATURES**

- 'SF' screen ($R_v = 4150$ mm)
- Quick-heating low-power impregnated cathodes
- In-line, IFL, ART (Aberration Reducing Triode) gun with quadrupole cathode lens
- Cd-free phosphors
 - Pigmented deep red
 - Sulphide green
 - Pigmented sulphide blue
- BLACK MATRIX technology
- INVAR mask with corner suspension
- Soft-flash
- Slotted shadow mask optimized for minimum moiré at 525 and 625 line systems
- Internal magnetic shield
- Internal multipole
- High contrast
- High gloss, low transmission screen.

QUICK REFERENCE DATA

PARAMETER	TYP.	UNIT
Deflection angle	110	deg
Useful screen diagonal	68	cm
Overall length	43.2	cm
Glass transmission	36.5	%
Neck diameter	29.1	mm
Heater voltage	6.15	V
Heater current	315	mA
Anode voltage (full load)	29.5	kV
Focus voltage	25.3 to 29.3% of anode voltage	

Black Line SF

'Black Line SF' colour picture tube

A68ESF002X

ELECTRICAL DATA

SYMBOL	PARAMETER	MIN.	TYP.	UNIT
Capacitances				
$C_{a(m+m')}$	anode to external conductive coating, including rimband	2000	2400	pF
$C_{am'}$	anode to metal rimband	–	300	pF
C_k	cathodes of all guns (connected in parallel) to all other electrodes	–	15	pF
C_{kR}, C_{kG}, C_{kB}	cathode of any gun to all other electrodes	–	5	pF
C_{g1}	grid 1 to all other electrodes	–	17	pF
C_{g2}	grid 2 to all other electrodes	–	4.5	pF
C_{g3}	grid 3 (focusing electrode) to all other electrodes	–	6	pF
Heating				
V_f	heater voltage: indirect AC (preferably mains or line frequency) or DC	–	6.15	V
I_f	heater current	–	315	mA
Resistance				
R_{rim}	resistance between rimband and external conductive coating	50	–	MΩ

ELECTRO-OPTICAL DATA

PARAMETER	VALUE
Electron gun system	unitized triple-aperture electrodes; aberration reducing triode
Focus method	electrostatic
Main lens	polygon
Convergence method	magnetic
Deflection method	magnetic
Deflection angles	
diagonal	110°
horizontal	97°
vertical	77°

'Black Line SF' colour picture tube

A68ESF002X

OPTICAL DATA

PARAMETER	VALUE
Matrix	black opaque material, PVP technology
Screen	metal-backed vertical phosphor stripes
Screen finish	high gloss
Nominal screen dimensions	
diagonal	679.6 mm
horizontal axis	545.0 mm
vertical axis	409.4 mm
area	2231 cm ²
Phosphor alignment	see Fig.1
Phosphors	
red	pigmented europium activated rare earth
green	Cd-free sulphide type
blue	pigmented sulphide type
Persistence	medium short
Centre-to-centre distance of identical colour phosphor stripes	
at screen centre	≈0.80 mm
at ends of long axis	≈0.99 mm
Light transmission of face glass at centre of screen	36.5%
Luminance at centre of screen; note 1	70 cd/m ²

Note

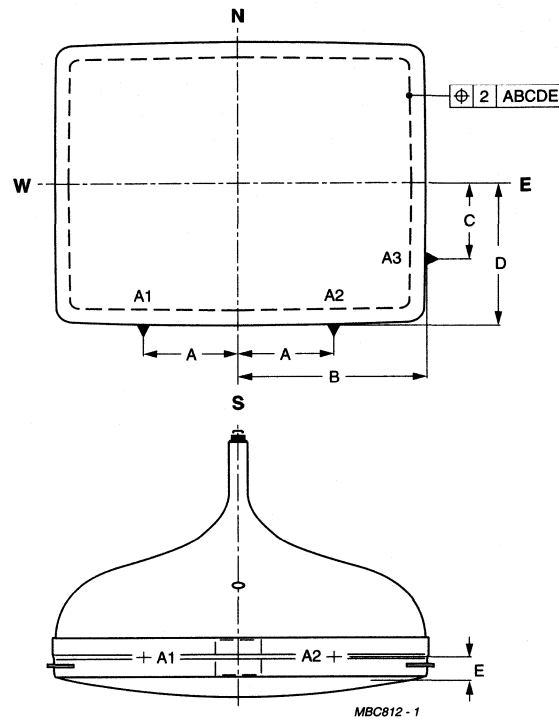
1. Tube settings adjusted to produce white D ($x = 0.313$, $y = 0.329$), focused raster, current density $0.4 \mu\text{A}/\text{cm}^2$.

Colour coordinates

COLOUR COORDINATE	x	y
Red	0.630	0.330
Green	0.295	0.595
Blue	0.155	0.065

'Black Line SF' colour picture tube

A68ESF002X



A = 204.2 mm.
 B = 300.4 mm.
 C = 141.0 mm.
 D = 234.3 mm.
 E = 28.9 mm.

Fig.1 Phosphor alignment.

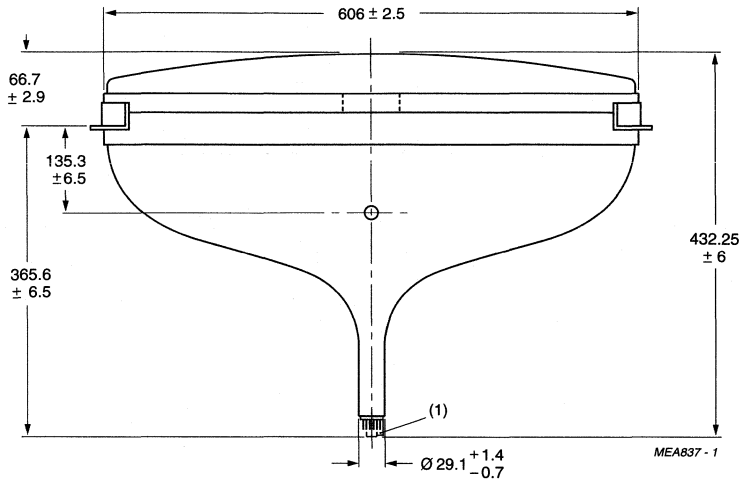
MECHANICAL DATA

See Figs 2 to 12.

PARAMETER	VALUE
Base	JEDEC B10-277
Anode contact	small cavity contact JEDEC J1-21; IEC 67-III-2
Mounting position	anode contact on top
Implosion protection	shrunk-on rimband
Mass including deflection unit	≈31 kg

'Black Line SF' colour picture tube

A68ESF002X



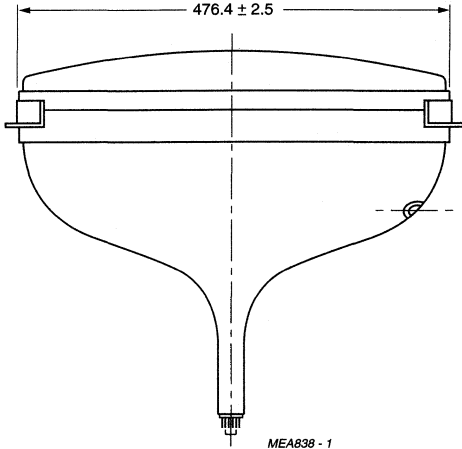
Dimensions in mm.

(1) The socket for this base should not be rigidly mounted; it should have flexible leads and be allowed to move freely. After mounting of the tube in the cabinet note that the position of the base can fall within a circle, having a diameter of max. 50 mm concentric with an imaginary tube axis.

Fig.2 Tube dimensions; top view.

'Black Line SF' colour picture tube

A68ESF002X

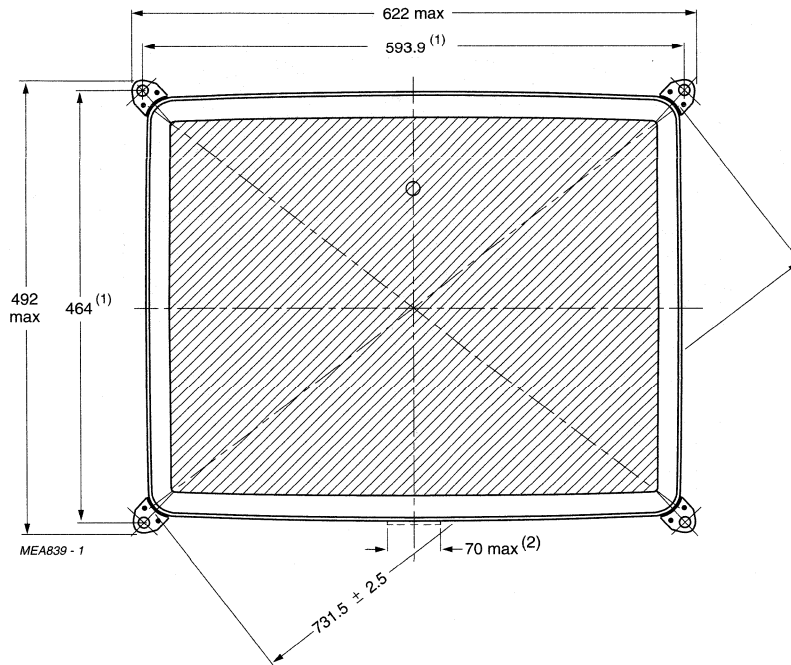


Dimensions in mm.

Fig.3 Tube dimensions; side view.

'Black Line SF' colour picture tube

A68ESF002X



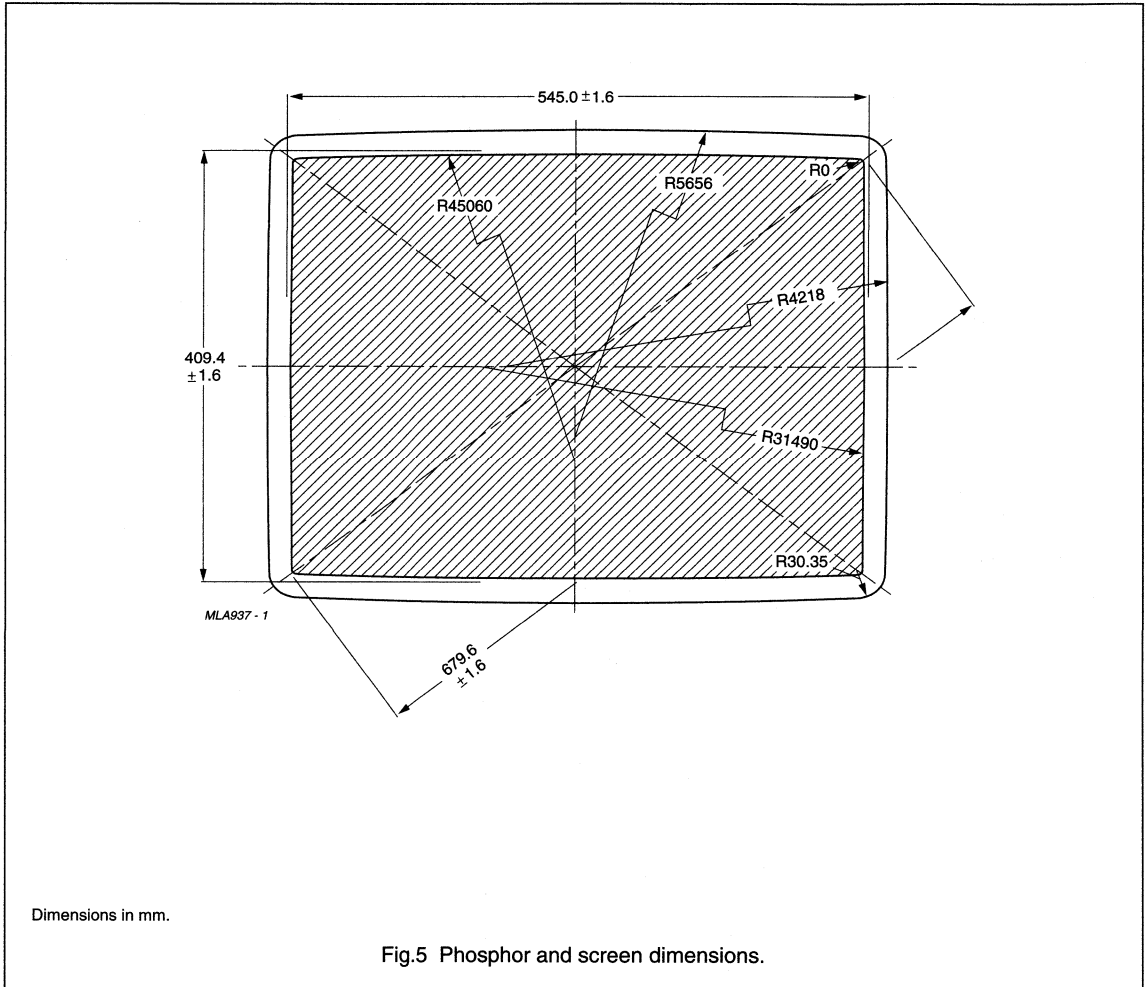
Dimensions in mm.

- (1) The position of the mounting screw in the cabinet must be within a circle of 12 mm drawn around the true geometrical positions (i.e. the corners of a rectangle 593.9 × 464 mm).
- (2) Location of fishplate.

Fig.4 Tube dimensions; front view.

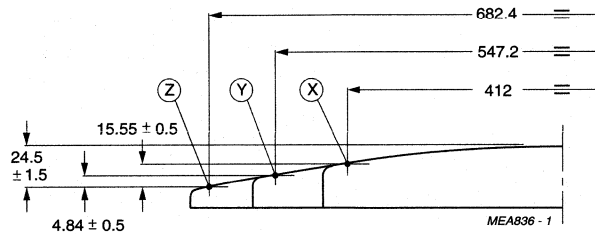
'Black Line SF' colour picture tube

A68ESF002X



'Black Line SF' colour picture tube

A68ESF002X



Dimensions in mm.

Nominal sagittal height (mm) of the bezel with respect to the screen centre is described by:

$$Z = (2.119181 \times 10^{-4} \times X^2) + (6.750876 \times 10^{-10}) \times X^4 + (2.106018 \times 10^{-4} \times Y^2) \\ + (-8.56111 \times 10^{-10} \times X^2 \times Y^2) + (-9.520334 \times 10^{-15} \times X^4 \times Y^2) + (7.781627 \times 10^{-15} \times X^2 \times Y^4)$$

Coordinates of Z-point: X = 272.96, Y = 204.72.

Fig.6 Screen reference points.

'Black Line SF' colour picture tube

A68ESF002X

Sagittal heights

Sagittal heights of the useful screen measured with respect to the end of the diagonal axis

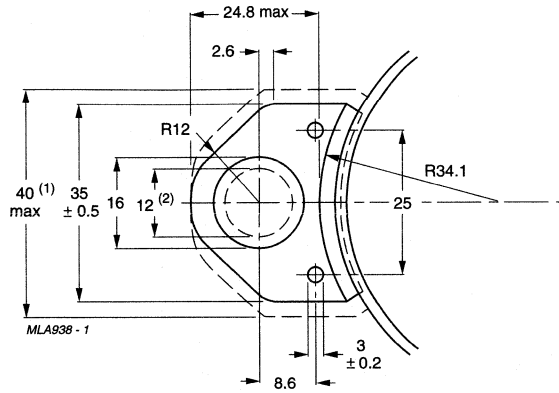
NOMINAL USEFUL SCREEN (NUS)			3 mm INSIDE NUS			10 mm OUTSIDE NUS		
COORDINATES		SAGITTAL HEIGHT (mm)	COORDINATES		SAGITTAL HEIGHT (mm)	COORDINATES		SAGITTAL HEIGHT (mm)
X (mm)	Y (mm)		X (mm)	Y (mm)		X (mm)	Y (mm)	
0.0	0.0	24.3	0.0	0.0	23.8	0.0	0.0	26.1
272.5 ⁽¹⁾	0.0	4.8	269.5	0.0	4.8	282.5	0.0	4.9
272.5	20.0	4.8	269.5	20.0	4.8	282.5	20.0	4.9
272.5	40.0	4.7	269.5	40.0	4.6	282.5	40.0	4.8
272.4	60.0	4.5	269.4	60.0	4.5	282.4	60.0	4.6
272.4	80.0	4.2	269.4	80.0	4.2	282.4	80.0	4.4
272.3	100.0	3.9	269.3	100.0	3.8	282.3	100.0	4.1
272.3	120.0	3.4	269.3	120.0	3.3	282.3	120.0	3.7
272.2	140.0	2.8	269.2	140.0	2.7	282.2	140.0	3.1
272.1	160.0	2.1	269.1	160.0	2.0	282.1	160.0	2.5
272.0	180.0	1.2	269.0	180.0	1.1	282.0	180.0	1.7
271.9	200.0	0.2	268.9	200.0	0.1	281.9	200.0	0.8
271.8 ⁽²⁾	203.9	0.0	268.9	200.9	0.0	281.8	213.8	0.0
270.0	203.9	0.2	—	—	—	280.0	213.8	0.2
260.0	203.9	1.4	260.0	200.9	1.1	260.0	214.0	2.6
240.0	204.1	3.7	240.0	201.1	3.3	240.0	214.1	4.8
220.0	204.2	5.7	220.0	201.2	5.4	220.0	214.2	6.8
200.0	204.3	7.5	200.0	201.3	7.2	200.0	214.3	8.5
180.0	204.3	9.1	180.0	201.3	8.8	180.0	214.3	10.1
160.0	204.4	10.5	160.0	201.4	10.2	160.0	214.4	11.5
140.0	204.5	11.7	140.0	201.5	11.4	140.0	214.5	12.7
120.0	204.5	12.7	120.0	201.5	12.4	120.0	214.5	13.7
100.0	204.6	13.6	100.0	201.6	13.3	100.0	214.6	14.5
80.0	204.6	14.3	80.0	201.6	14.0	80.0	214.6	15.2
60.0	204.7	14.8	60.0	201.7	14.5	60.0	214.7	15.8
40.0	204.7	15.2	40.0	201.7	14.9	40.0	214.7	16.1
20.0	204.7	15.4	20.0	201.7	15.1	20.0	214.7	16.4
0.0 ⁽³⁾	204.7	15.5	0.0	201.7	15.2	0.0	214.7	16.4

Notes

1. End of long axis.
2. End of diagonal axis.
3. End of short axis.

'Black Line SF' colour picture tube

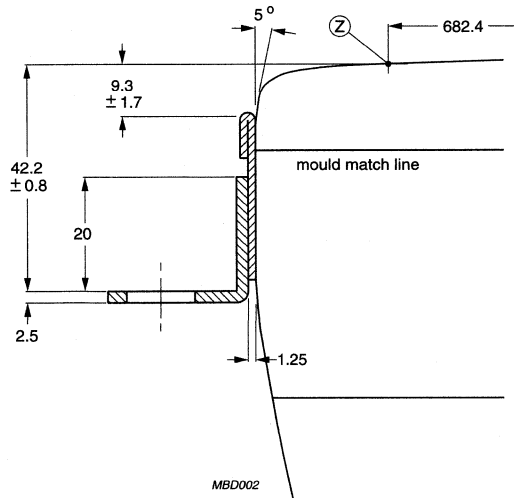
A68ESF002X



Dimensions in mm.

- (1) Minimum space to be reserved for mounting lug.
- (2) The position of the mounting screw in the cabinet must be within a circle of 12 mm diameter drawn around the true geometrical positions, i.e. the corners of a rectangle of 593.9 mm × 464 mm.

Fig.7 Lug dimensions.

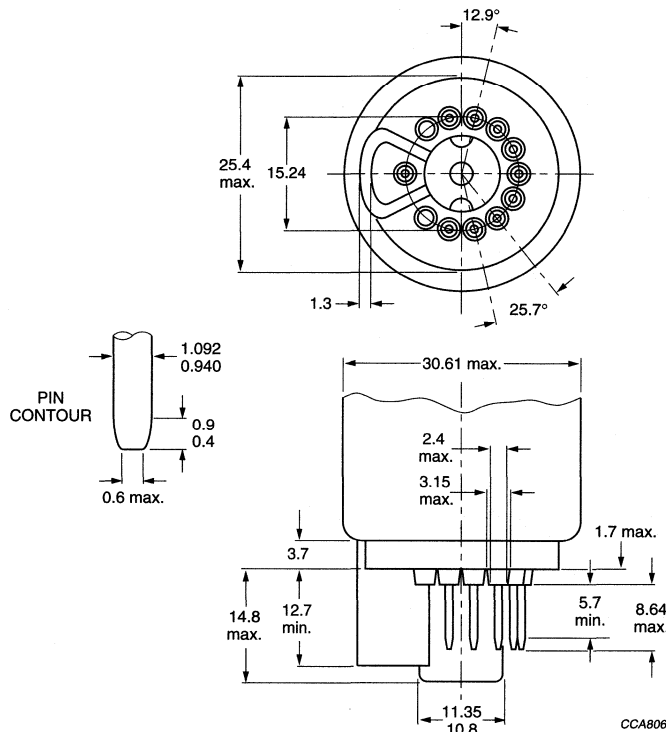


Dimensions in mm.

Fig.8 Lug position.

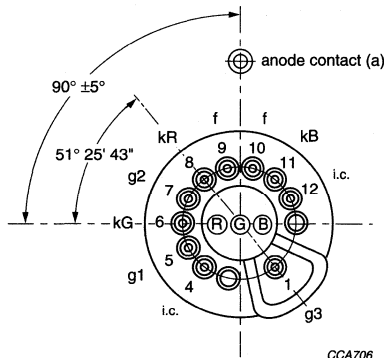
'Black Line SF' colour picture tube

A68ESF002X



Dimensions in mm.

Fig.9 Base JEDEC B10-277.



i.c. = internally connected and not to be used.

Fig.10 Pin arrangement.

Remarks: to Figs 9 and 10.

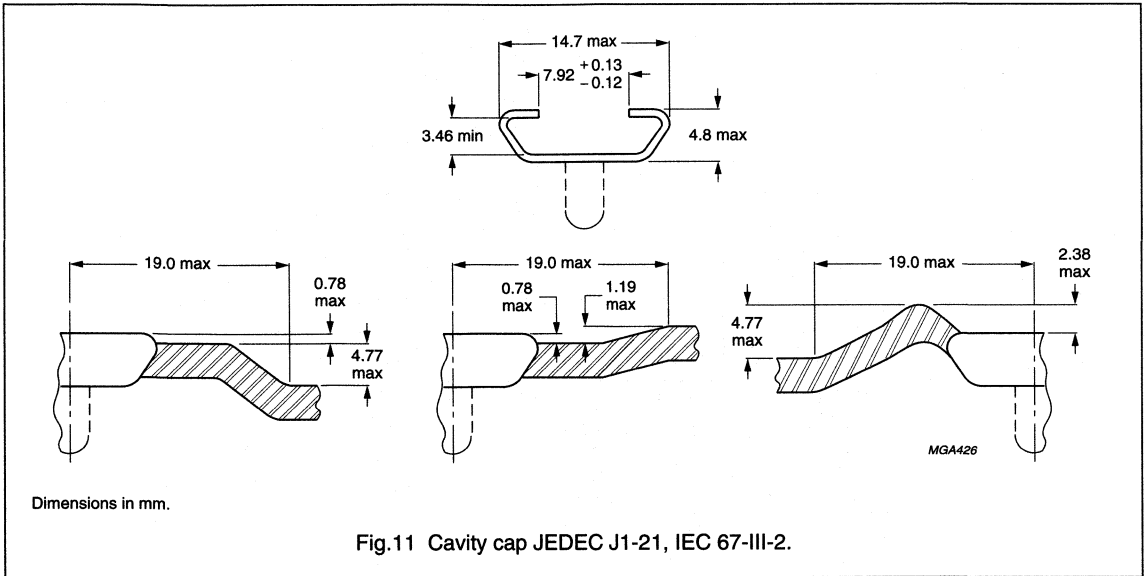
The socket for this base should not be rigidly mounted, it should have flexible leads and be allowed to move freely. After mounting the tube in the cabinet, note that the position of the base can fall within a circle, having a diameter of max. 50 mm concentric with an imaginary tube axis.

The mass of the mounting socket assembly should not exceed 150 g.

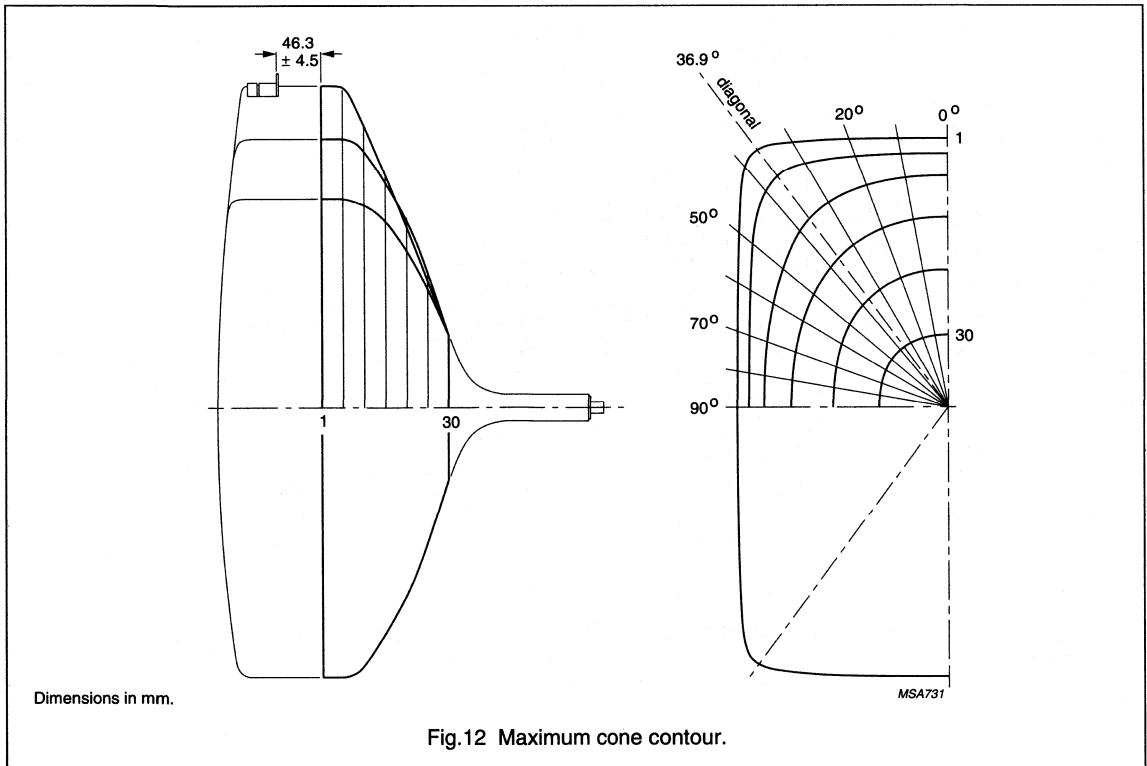
Maximum permissible torque on the tube neck is 0.04 Nm.

'Black Line SF' colour picture tube

A68ESF002X



Cone contour



'Black Line SF' colour picture tube

A68ESF002X

Cone contour data

SECTION	NOMINAL DISTANCE FROM SECTION 1 (mm)	MAXIMUM DISTANCE FROM TUBE AXIS (mm)										
		0°	10°	20°	30°	36.9°	40°	50°	60°	70°	80°	90°
1	0	299.4	303.7	317.0	341.4	360.7	353.8	301.6	268.9	248.9	238.0	234.6
2	5	299.2	303.5	316.8	341.0	360.5	353.0	301.3	268.7	248.7	237.8	234.4
3	10	298.7	303.0	316.3	340.4	360.0	351.8	300.8	268.3	248.3	237.5	234.0
4	15	297.9	302.2	315.6	339.4	359.0	350.1	300.1	267.7	247.7	236.8	233.4
5	20	296.8	301.0	314.4	338.0	356.9	347.8	299.0	266.8	246.8	236.0	232.5
6	25	295.2	299.4	312.7	335.9	353.4	344.3	297.5	265.5	245.7	234.9	231.4
7	30	293.1	297.3	310.4	332.8	347.8	339.1	295.2	263.8	244.2	233.5	230.1
8	35	290.7	294.8	307.3	328.3	339.7	331.6	291.3	261.2	242.2	231.7	228.4
9	40	287.8	291.7	303.3	322.0	329.4	321.8	285.8	257.8	239.6	229.6	226.3
10	45	284.5	288.1	298.7	314.8	318.8	311.8	279.5	253.6	236.6	227.0	223.9
11	50	280.8	284.0	293.6	307.0	308.0	301.6	272.7	248.9	233.0	224.0	221.0
12	55	276.5	279.4	287.6	298.0	297.0	291.4	265.6	243.8	229.0	220.5	217.8
13	60	271.7	274.1	281.0	288.3	285.7	280.9	258.3	238.3	224.6	216.6	214.1
14	65	266.2	268.2	273.7	278.0	274.5	270.2	250.8	232.6	219.8	212.4	209.9
15	70	259.8	261.5	265.5	267.3	263.2	259.4	242.7	226.4	214.6	207.7	205.4
16	75	252.4	253.7	256.4	256.2	251.8	248.5	234.2	219.8	209.0	202.5	200.4
17	80	243.9	244.9	246.4	244.8	240.4	237.5	225.3	212.7	202.9	196.9	194.9
18	85	234.5	235.1	235.5	233.2	228.9	226.3	215.9	205.1	196.3	190.8	189.0
19	90	224.0	224.4	224.1	221.3	217.3	215.0	206.2	196.9	189.2	184.2	182.5
20	95	212.9	213.1	212.2	209.2	205.5	203.5	195.9	188.0	181.3	176.9	175.3
21	100	201.4	201.3	200.1	196.9	193.6	191.8	185.2	178.5	172.7	168.8	167.4
22	105	189.6	189.3	187.7	184.6	181.4	179.8	174.1	168.2	163.2	159.8	158.6
23	110	177.5	177.0	175.2	172.0	169.0	167.6	162.5	157.5	153.2	150.2	149.1
24	115	165.0	164.4	162.4	159.2	156.4	155.0	150.5	146.2	142.6	140.1	139.2
25	120	152.1	151.3	149.2	146.0	143.4	142.2	138.3	134.6	131.7	129.7	128.9
26	125	138.8	137.8	135.5	132.3	130.0	128.9	125.5	122.6	120.3	118.8	118.3
27	130	124.9	123.6	121.1	118.1	115.9	115.0	112.2	110.0	108.4	107.5	107.3
28	135	109.6	108.1	105.7	103.0	101.2	100.5	98.4	96.9	96.1	95.8	95.9
29	140	91.2	90.2	88.7	87.0	86.0	85.6	84.5	83.8	83.5	83.7	84.0
30	142.8	78.9	78.7	78.2	77.7	77.4	77.2	76.9	76.7	76.7	76.8	76.9

HANDLING

During shipment and handling the tube should not be subjected to acceleration greater than 350 m/s² in any direction (at pulse ≤10 ms).

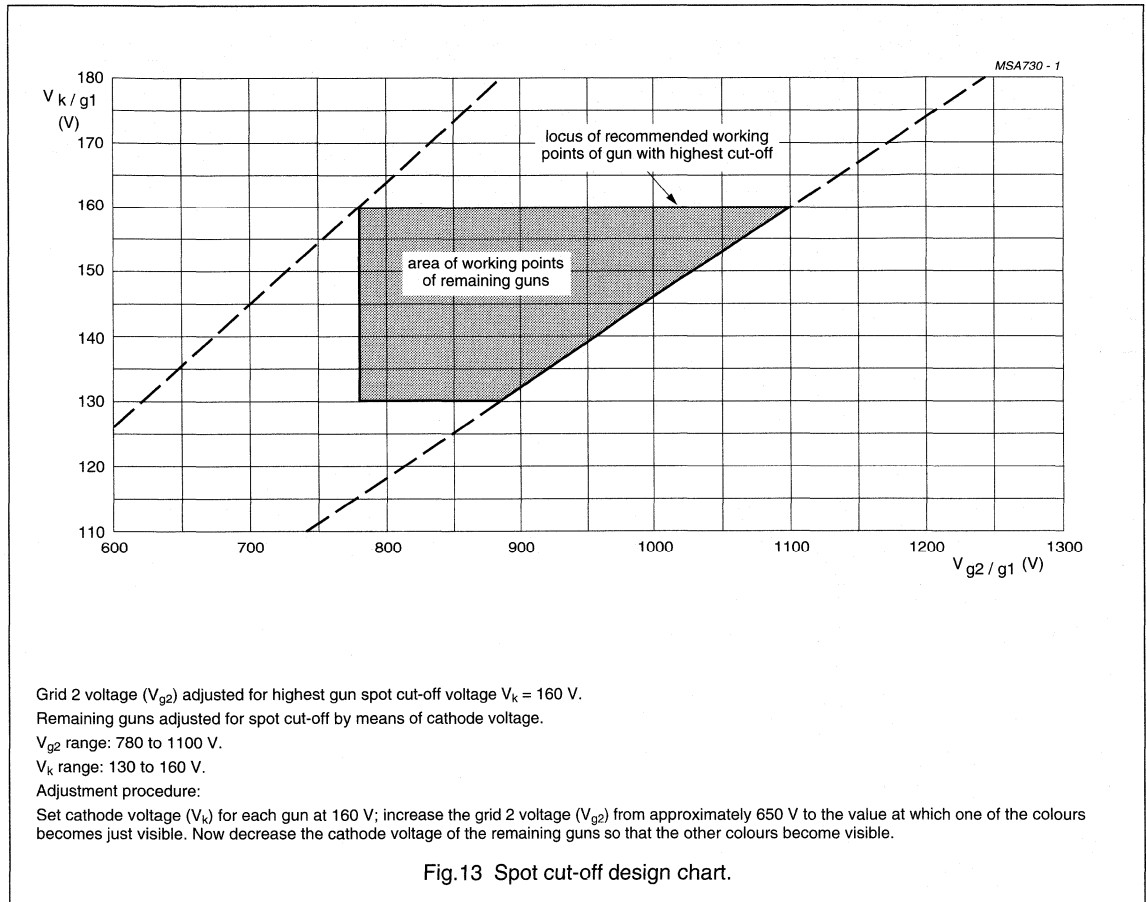
'Black Line SF' colour picture tube

A68ESF002X

OPERATING DATA

The voltages are specified with respect to grid 1.

SYMBOL	PARAMETER	CONDITIONS	MIN.	TYP.	MAX.	UNIT
V_a	anode voltage	full screen load	–	29.5	–	kV
V_{g3}	grid 3 (focus electrode) voltage		7.5	–	8.6	kV
V_{g2}	grid 2 voltage	for spot cut-off voltage $V_k = 160$ V	780	–	1100	V
V_f	heater voltage	tube operating	5.70	6.15	6.60	V



'Black Line SF' colour picture tube

A68ESF002X

CHASSIS DESIGN VALUES

The values given are valid for anode voltages between 25 and 32 kV. The voltages are specified with respect to grid 1.

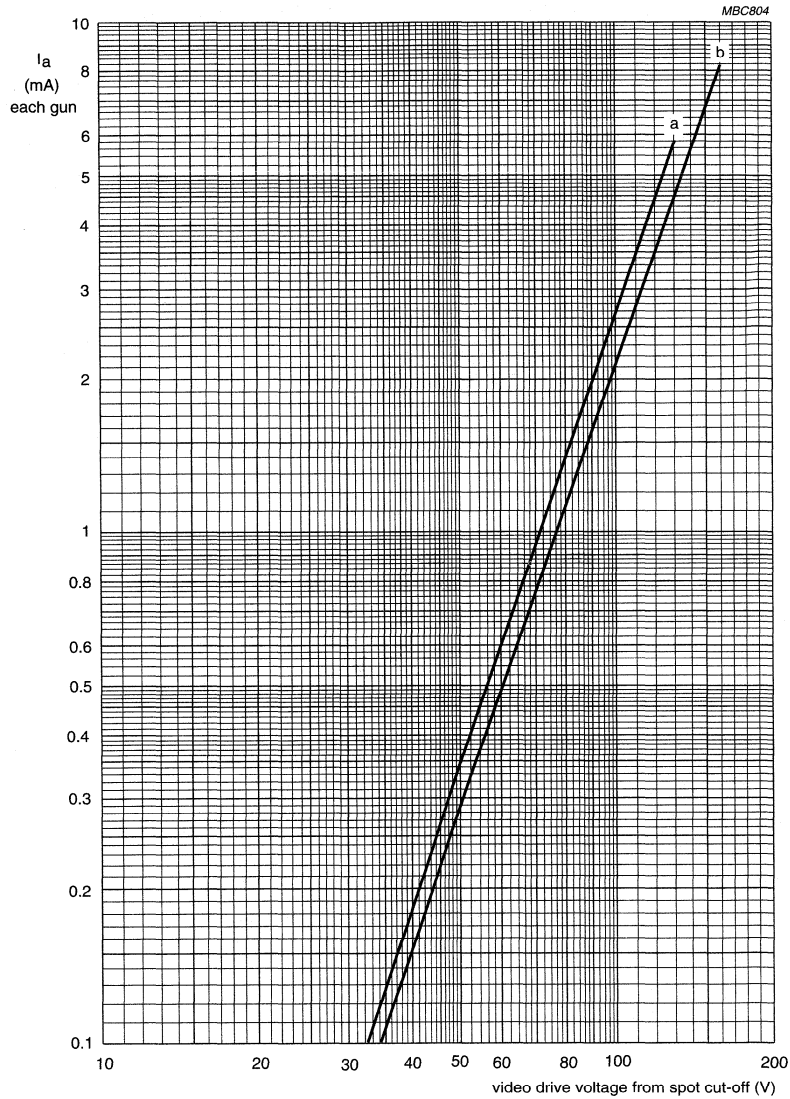
SYMBOL	PARAMETER	CONDITIONS	MIN.	TYP.	MAX.	UNIT
V_{g3}	grid 3 (focus electrode) voltage as a percentage of anode voltage		25.3	–	29.3	%
V_{g2} and V_k	grid 2 voltage and cathode voltage	for visual extinction of focused spot	see Fig.13			
ΔV_k	difference in cut-off voltage between guns in any tube		lowest value >80% of highest value			
V_f	heater voltage	at average beam current	5.70	6.15	6.60	V
	video drive characteristics		note 1 and Fig.14			
I_{g3}	grid 3 (focus electrode) current		–2	–	+2	μA
I_{g2}	grid 2 current		–2	–	+2	μA
I_{g1}	grid 1 current	under cut-off conditions	–2	–	+2	μA
R_{ins}	insulation resistance	each cathode to grid 1 and/or heater	50	–	–	M Ω
Anode currents to produce white of 6500 K + 7 MPCD (CIE coordinates: x = 0.313; y = 0.329)						
PERCENTAGE OF THE TOTAL ANODE CURRENT SUPPLIED BY EACH GUN (TYPICAL)						
	red gun		–	41.3	–	%
	green gun		–	34.4	–	%
	blue gun		–	24.3	–	%
RATIO OF ANODE CURRENTS						
	red gun to green gun		1.00	1.20	1.40	
	red gun to blue gun		1.40	1.70	2.00	
	blue gun to green gun		0.59	0.70	0.83	

Note

- For optimum picture performance it is recommended that the cathodes are not driven below +1 V.

'Black Line SF' colour picture tube

A68ESF002X



$V_f = 6.15 \text{ V.}$

$V_{a,g4} = 29.5 \text{ kV.}$

V_{g3} adjusted for focus.

V_{g2} (each gun) adjusted to provide spot cut-off for $V_k = 130 \text{ V}$ (curve a) and $V_k = 160 \text{ V}$ (curve b).

Fig.14 Typical cathode drive characteristics.

'Black Line SF' colour picture tube

A68ESF002X

LIMITING VALUES

In accordance with the Absolute Maximum Rating System (IEC 134). The voltages are specified with respect to grid 1.

SYMBOL	PARAMETER	CONDITIONS	MIN.	MAX.	UNIT
V_a	anode voltage	note 1	25 ⁽²⁾	36 ⁽³⁾	kV
I_a	long-term average current for three guns	note 4	–	1 300	μ A
V_{g3}	grid 3 (focus electrode) voltage	note 5	–	12	kV
V_{g2}	grid 2 voltage (peak value)	note 6	–	1 400	V
V_f	heater voltage	note 7	5.7	6.6	V
Cathode voltage					
V_k	positive operating		–	250	V
V_k	during switch-off		–	250	V
V_k	positive operating cut-off		–	200	V
V_k	negative		–	0	V
V_{kp}	negative peak		–	–2	V
Cathode to heater voltage					
V_{kf}	positive		–	250	V
V_{kfp}	positive peak		–	300	V
V_{kf}	negative		–	0	V
V_{kfp}	negative peak		–	–50	V
Circuit values					
R_{g3}	grid 3 circuit resistance		–	70	M Ω
R_{g1k}	grid 1 to cathode circuit resistance (each gun)		–	750	k Ω

Notes

1. During adjustment on the production line this value is likely to be surpassed considerably. It is therefore strongly recommended to first make the necessary adjustments for normal operation without the picture tube.
2. Operation of the tube at lower voltages impairs the luminance and resolution and may impair the convergence.
3. This value is an absolute maximum.
4. The short-term average anode current should be limited by circuitry to 1 800 μ A.
5. During flashover conditions maximum 20 kV is allowed (see Chapter "Flashover protection").
6. During adjustment on the production line maximum 1 500 V is permitted.
7. For maximum cathode life and optimum performance it is recommended that the heater supply is designed for 6.15 V at average beam current, for most applications this equals 6.3 V at zero beam current. **The heater supply source impedance must not be less than 2 Ω .**

BEAM CENTRING

Maximum centring error in any direction is 4 mm.

'Black Line SF' colour picture tube

A68ESF002X

FLASHOVER PROTECTION

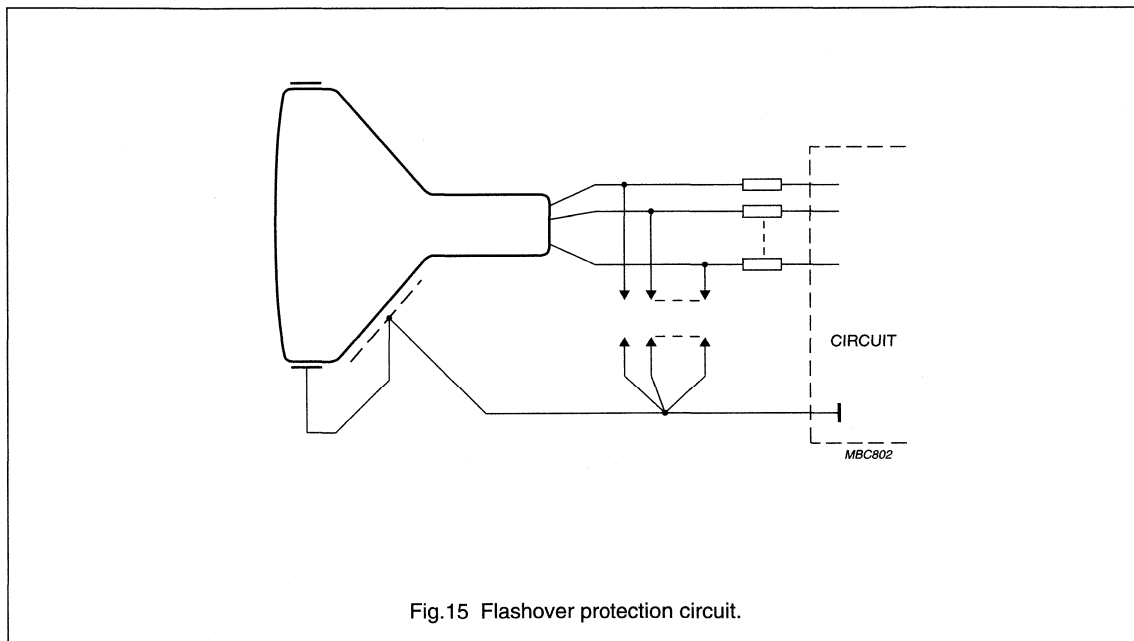
With the high voltage used with this tube (max. 34 kV) internal flashovers may occur. As a result of Soft-flash technology these flashover currents are limited to approximately 60 A offering higher reliability, optimum circuit protection and component savings.

Primary protective circuitry using properly grounded spark gaps and series isolation resistors (preferably carbon composition) is still necessary to prevent tube damage.

The spark gaps should be connected to all picture tube electrodes at the socket in accordance with Fig.15; they are not required on the heater pins. No other connections between the outer conductive coating and the chassis are permissible. The spark gaps should be designed for a breakdown voltage at the focus electrode (g3) of approximately 19 to 20 kV and at the other electrodes of 2 kV at the lowest operating atmospheric pressure.

The values of the series isolation resistors should be as high as possible (min. 0.5 k Ω) without causing deterioration of the circuit performance. The resistors should be able to withstand an instantaneous surge of 20 kV for the focusing circuit and 12 kV for the remaining circuits without arcing.

To guarantee the soft flash behaviour, the internal dynamic resistance of the tube during flashover is a minimum 400 Ω and a maximum 800 Ω .

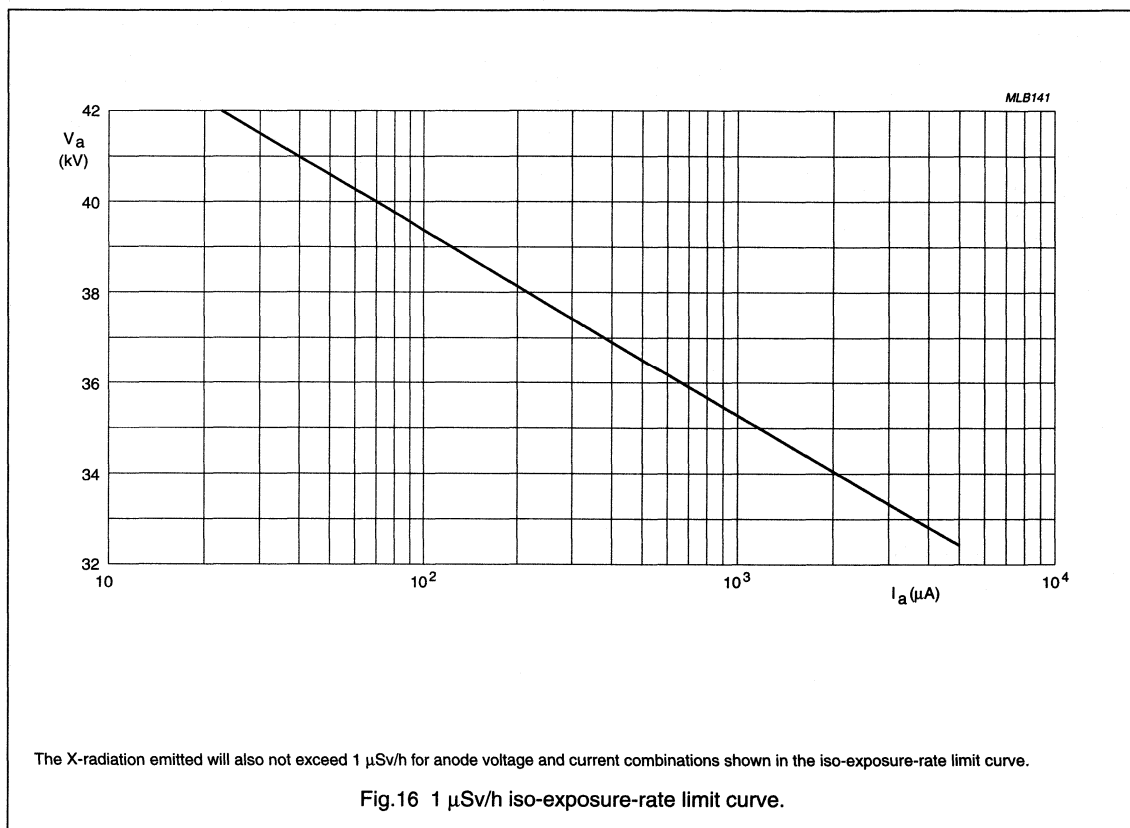


'Black Line SF' colour picture tube

A68ESF002X

X-RADIATION

The tube does not emit X-radiation above 1 $\mu\text{Sv/h}$ when operated at 34 kV and 1.8 mA.



'Black Line SF' colour picture tube

A68ESF002X

DEGAUSSING

The picture tube is provided with an internal magnetic shield. This shield and the shadow mask with its suspension system may be provided with an automatic degaussing system, consisting of two coil windings mounted on the cone of the picture tube.

For proper degaussing an initial magnetomotive force (MMF) of 400 ampere-turns is required in each coil. This MMF has to be gradually decreased using appropriate degaussing circuitry. In the steady state, no significant MMF should remain in the coils (≤ 0.15 ampere-turns).

To prevent beam landing disturbances by line-frequency currents induced in the degaussing coils, these coils should be shunted by a capacitor of sufficiently high value.

If single-phase power rectification is employed in the TV circuitry, provision should be included to prevent asymmetric distortion of the AC voltage applied to the

degaussing circuit due to high DC inrush currents.

In principle, degaussing should be carried out during the 'off' scanning period (especially, the vertical scanning should be 'off'). If degaussing is attempted during 'on'

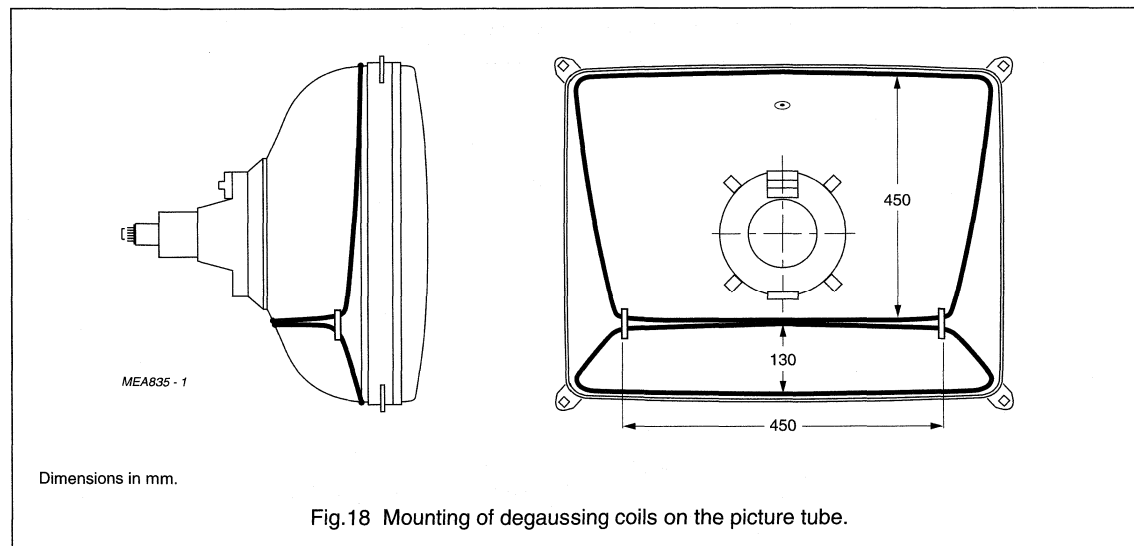
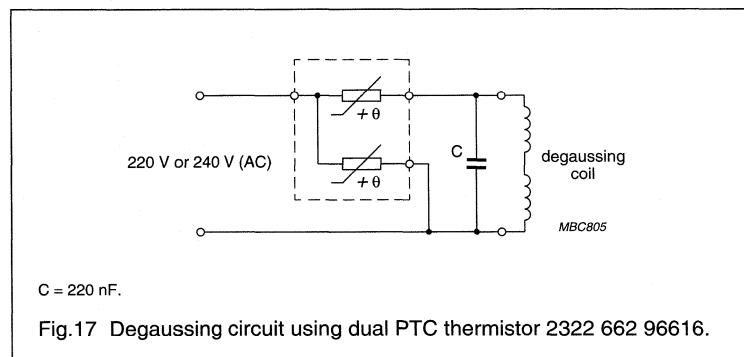
scanning condition, beam register of the tube may be affected.

An example of a degaussing circuit and coil data is given in Fig.17 and Table "Degaussing coil data".

To ease mounting the coils, the rimband is provided with slots.

Degaussing coil data

PARAMETER	TYP.	UNIT
Circumference	325	cm
Number of turns	70	
Copper wire diameter	0.45	mm
Resistance	25	Ω



'Black Line SF'
colour picture tube assembly**A68ESF002X011****FEATURES**

- Factory preset tube/coil assembly
- Self-converging
- 68 cm, 110° colour picture tube
A68ESF002X
- Double saddle deflection unit
- Scan Velocity Modulation (SVM)
for improved picture sharpness.

QUICK REFERENCE DATA

PARAMETER	TYP.	UNIT
Deflection angle	110	deg
Useful screen diagonal	68	cm
Overall length	43.2	cm
Neck diameter	29.1	mm
Anode voltage	29.5	kV

Black Line SF

'Black Line SF'
colour picture tube assembly

A68ESF002X011

DEFLECTION UNIT DATA

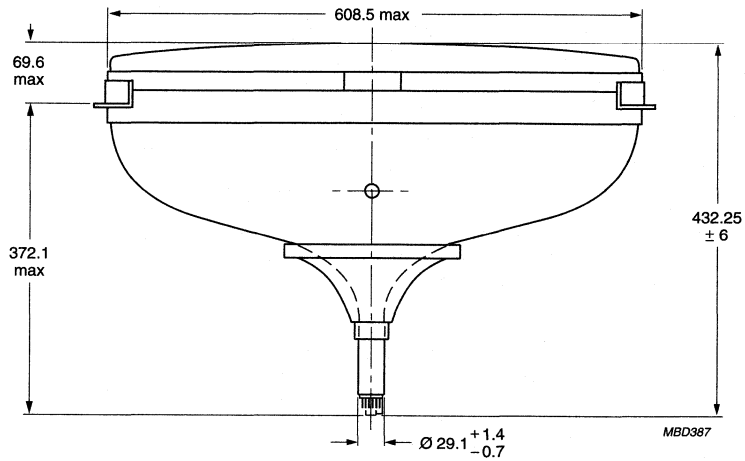
PARAMETER	CONDITIONS	MIN.	TYP.	MAX.	UNIT
Horizontal coils, parallel connected					
Inductance	1 V (RMS); 1 kHz	1.15	1.20	1.25	mH
Resistance	$T_{amb} = 25\text{ }^{\circ}\text{C}$	1.3	1.4	1.5	Ω
Magnetic flux		6.77	7.20	7.63	mWb
Deflection current (peak-to-peak value)	edge-to-edge; $V_a = 29.5\text{ kV}$	–	5.88	–	A
Average copper temperature	note 1	–	–	110	$^{\circ}\text{C}$
Temperature rise (ΔT)	$V_a = 29.5\text{ kV}$; $I_a = \text{long term average value}$	–	t.b.f.	–	$^{\circ}\text{C}$
Vertical coils, series connected					
Inductance	1 V (RMS); 1 kHz	4.8	5.3	5.8	mH
Resistance	$T_{amb} = 25\text{ }^{\circ}\text{C}$	4.50	4.85	5.20	Ω
Vertical voltage		10.2	11.1	11.9	V
Deflection current (peak-to-peak value)	edge-to-edge; $V_a = 29.5\text{ kV}$	–	2.30	–	A
Average copper temperature	note 1	–	–	95	$^{\circ}\text{C}$
Temperature rise (ΔT)	$V_a = 29.5\text{ kV}$; $I_a = \text{long term average value}$	–	35	–	$^{\circ}\text{C}$
SVM coil					
Inductance	1 V (RMS); 1 kHz	–	7.5	–	μH
Resistance	$T_{amb} = 25\text{ }^{\circ}\text{C}$	–	1.6	–	Ω
Sensitivity in X-direction	at screen centre	–	2.2	–	mm/A
Deflection unit					
Permissible DC voltage					
between horizontal and vertical coils		–	–	2000	V
between horizontal and yoke ring		–	–	2000	V
between vertical coils and yoke ring		–	–	300	V
Insulation resistance	1 kV				
between horizontal and vertical coils		500	–	–	$\text{M}\Omega$
between horizontal coil and yoke ring		500	–	–	$\text{M}\Omega$
between vertical coil and yoke ring		10	–	–	$\text{M}\Omega$
Cross-talk from horizontal to vertical coils	1 V; 500 Hz applied to the horizontal deflection coils	–	–	20	mV

Note

1. Measured by the resistance method.

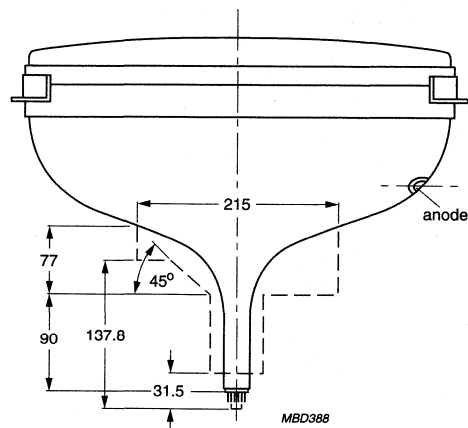
'Black Line SF'
colour picture tube assembly

A68ESF002X011



Dimensions in mm.

Fig.1 Tube assembly.

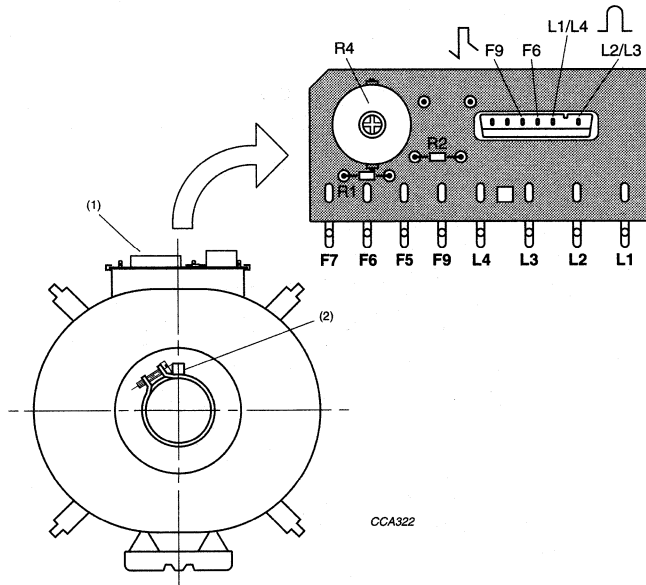
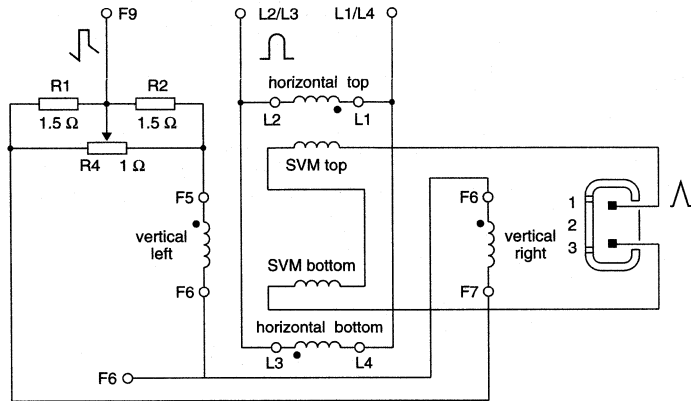


Dimensions in mm.

Fig.2 Yoke clearance.

'Black Line SF'
colour picture tube assembly

A68ESF002X011



CCA322

The beginning of the windings is indicated with •

(1) Main connector: Stocko series MKS 2820; matching socket connector Stocko series MKF 2800.

(2) SVM connector: Stocko system RFK 1 (MKS series); matching connector MKF17033, MKF17330 or MKF17360 series.

Fig.3 Deflection coil connections.

'Black Line SF'
colour picture tube assembly**A68ESF002X043****FEATURES**

- 100 Hz field repetition
- Factory preset tube/coil assembly
- Self-converging
- 68 cm, 110° colour picture tube
A68ESF002X
- Double saddle deflection unit
- Scan Velocity Modulation (SVM)
for improved picture sharpness.

QUICK REFERENCE DATA

PARAMETER	TYP.	UNIT
Deflection angle	110	deg
Useful screen diagonal	68	cm
Overall length	43.2	cm
Neck diameter	29.1	mm
Anode voltage	29.5	kV

Black Line SF

'Black Line SF'
colour picture tube assembly

A68ESF002X043

DEFLECTION UNIT DATA

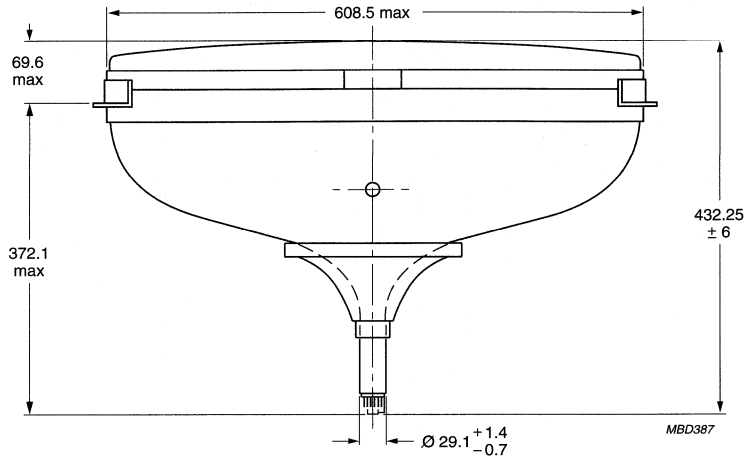
PARAMETER	CONDITIONS	MIN.	TYP.	MAX.	UNIT
Horizontal coils, parallel connected					
Inductance	1 V (RMS); 1 kHz	0.297	0.309	0.321	mH
Resistance	T _{amb} = 25 °C	0.30	0.34	0.37	Ω
Magnetic flux		–	3.6	–	mWb
Deflection current (peak-to-peak value)	edge-to-edge; V _a = 29.5 kV	–	11.5	–	A
Average copper temperature	note 1	–	–	110	°C
Temperature rise (ΔT)	V _a = 29.5 kV; I _a = long term average value	–	51	–	°C
Vertical coils, series connected					
Inductance	1 V (RMS); 1 kHz	4.8	5.3	5.8	mH
Resistance	T _{amb} = 25 °C	4.50	4.85	5.20	Ω
Vertical voltage		10.2	11.1	11.9	V
Deflection current (peak-to-peak value)	edge-to-edge; V _a = 29.5 kV	–	2.30	–	A
Average copper temperature	note 1	–	–	97	°C
Temperature rise (ΔT)	V _a = 29.5 kV; I _a = long term average value	–	37	–	°C
SVM coil					
Inductance	1 V (RMS); 1 kHz	–	2.4	–	μH
Resistance	T _{amb} = 25 °C	–	0.8	–	Ω
Sensitivity in X-direction	at screen centre	–	1.2	–	mm/A
Sensitivity in X-direction	at screen edge	–	2.3	–	mm/A
Deflection unit					
Permissible DC voltage					
between horizontal and vertical coils		–	–	2000	V
between horizontal and yoke ring		–	–	2000	V
between vertical coils and yoke ring		–	–	300	V
Insulation resistance	1 kV				
between horizontal and vertical coils		500	–	–	MΩ
between horizontal coil and yoke ring		500	–	–	MΩ
between vertical coil and yoke ring		10	–	–	MΩ
Cross-talk from horizontal to vertical coils	1 V; 500 Hz applied to the horizontal deflection coils	–	–	20	mV

Note

1. Measured by the resistance method.

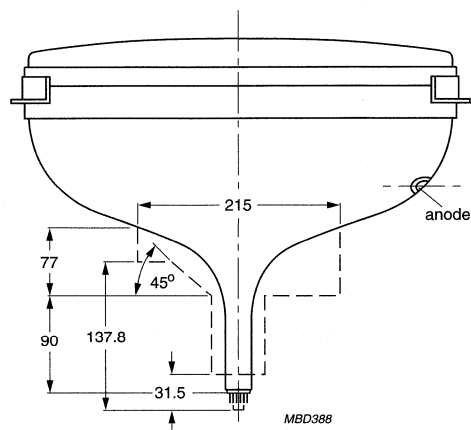
'Black Line SF'
colour picture tube assembly

A68ESF002X043



Dimensions in mm.

Fig.1 Tube assembly.

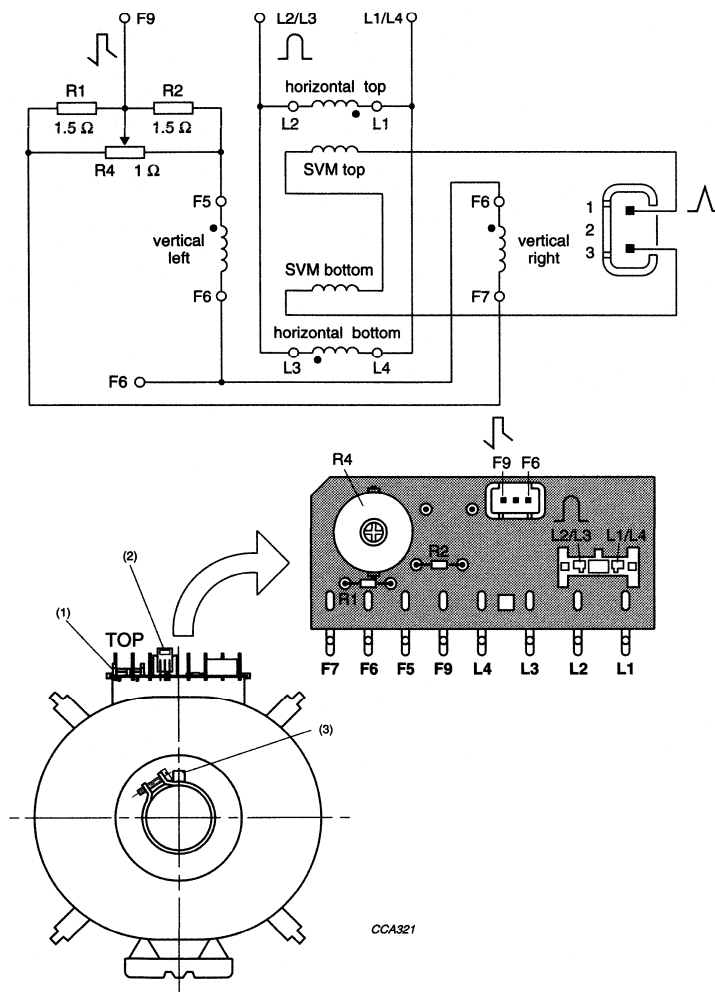


Dimensions in mm.

Fig.2 Yoke clearance.

'Black Line SF'
colour picture tube assembly

A68ESF002X043



The beginning of the windings is indicated with •

- (1) Horizontal connector: AMP Ultrex connection system; connector 2-173270-2; matching connector 2-173268-2.
- (2) Vertical connector: Stocko system RFK1 (MKS series); matching connector MKF17033, MKF17330 or MKF17360 series.
- (3) SVM connector: Stocko system RFK1 (MKS series); matching connector MKF17033, MKF17330 or MKF17360 series, actual position of this connector is on top.

Fig.3 Deflection coil connections.

'Black Line S' colour picture tube**A80EFF002X****FEATURES**

- 'Flatter' and 'squarer' screen
- In-line, IFL, ART (Aberration Reducing Triode) gun with quadrupole cathode lens
- INVAR mask with corner suspension
- BLACK MATRIX technology
- Pigmented phosphors
 - Cd-free green
 - Deep red
- Quick-heating low-power impregnated cathodes
- Soft-flash
- Slotted shadow mask optimized for minimum moiré at 525 and 625 line systems
- Internal magnetic shield
- Application for northern hemisphere
- Internal multipole
- Reinforced envelope for re-entrant mounting.

QUICK REFERENCE DATA

PARAMETER	TYP.	UNIT
Deflection angle	110	deg
Useful screen diagonal	80	cm
Overall length	50	cm
Glass transmission	36.7	%
Neck diameter	29.1	mm
Heater voltage	6.15	V
Heater current	315	mA
Anode voltage	27.5	kV
Focus voltage	28% of anode voltage	

'Black Line S' colour picture tube

A80EFF002X

ELECTRICAL DATA

SYMBOL	PARAMETER	MIN.	TYP.	UNIT
Capacitances				
$C_{a(m+m')}$	anode to external conductive coating, including rimband	3000	–	pF
$C_{am'}$	anode to metal rimband	–	300	pF
C_k	cathodes of all guns (connected in parallel) to all other electrodes	–	15	pF
C_{kR}, C_{kG}, C_{kB}	cathode of any gun to all other electrodes	–	5	pF
C_{g1}	grid 1 to all other electrodes	–	17	pF
C_{g3}	grid 3 (focus electrode) to all other electrodes	–	6	pF
Heating				
V_f	heater voltage: indirect AC (preferably mains or line frequency) or DC	–	6.15	V
I_f	heater current	–	315	mA
Resistance				
R_{rim}	resistance between rimband and external conductive coating	50	–	M Ω

ELECTRO-OPTICAL DATA

PARAMETER	VALUE
Electron gun system	unitized triple-aperture electrodes; aberration reducing triode; impregnated cathodes
Focus method	electrostatic
Main lens	IFL (Integrated Focus Lens)
Deflection method	magnetic
Deflection angles	
diagonal	110°
horizontal	97°
vertical	77°

'Black Line S' colour picture tube

A80EFF002X

OPTICAL DATA

PARAMETER	VALUE
Screen	metal-backed vertical phosphor stripes; phosphor lines follow glass contour
Matrix	black opaque material, PVP technology
Screen finish	high gloss
Useful screen dimensions	
diagonal	800.9 mm
horizontal axis	647.2 mm
vertical axis	489.3 mm
area	≈3150 cm ²
Phosphor alignment	see Fig.1
Phosphors	
red	pigmented europium activated rare earth
green	Cd-free sulphide type
blue	pigmented sulphide type
Persistence	medium short
Centre-to-centre distance of identical colour phosphor stripes	≈0.9 mm
Light transmission of face glass at centre of screen	36.7%
Luminance at centre of screen; note 1	60 cd/m ²

Note

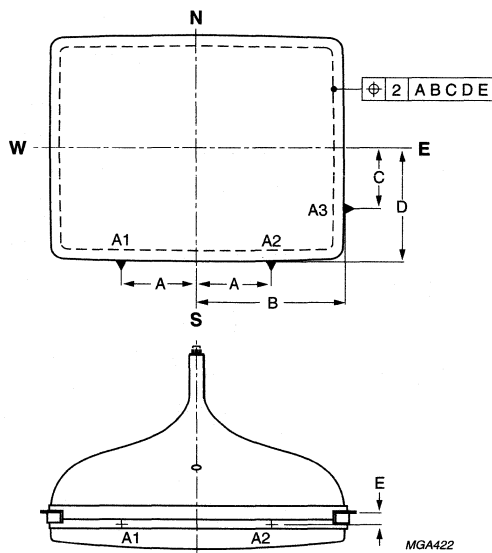
1. Tube settings adjusted to produce white D ($x = 0.313$, $y = 0.329$), focused raster, current density $0.4 \mu\text{A}/\text{cm}^2$.

Colour coordinates

COLOUR	x	y
Red	0.630	0.330
Green	0.295	0.595
Blue	0.155	0.065

'Black Line S' colour picture tube

A80EFF002X



A = 256.0 mm.
 B = 346.4 mm.
 C = 174.0 mm.
 D = 269.9 mm.
 E = 24.1 mm.

Fig.1 Phosphor alignment.

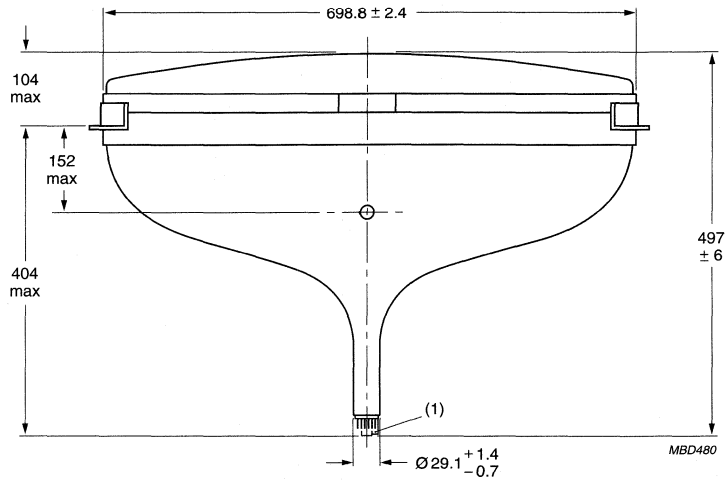
MECHANICAL DATA

See Figs 2 to 12.

PARAMETER	VALUE
Overall length	498 ±6 mm
Neck diameter	29.1 +1.4/-0.7 mm
Base	Base JEDEC B10-277
Anode contact	small cavity contact JEDEC J1-21; IEC 67-III-2
Mounting position	anode contact on top
Implosion protection	shrunk-on rimband
Mass including deflection unit	≈40.5 kg

'Black Line S' colour picture tube

A80EFF002X



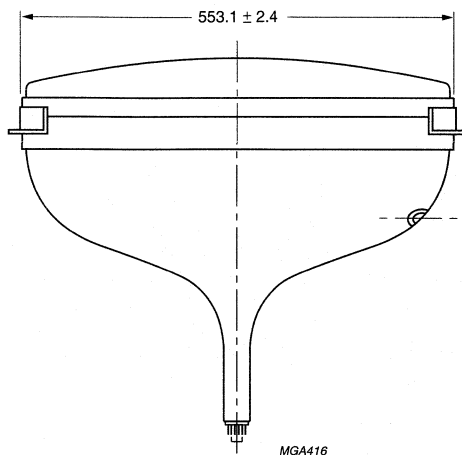
Dimensions in mm.

- (1) The socket for this base should not be rigidly mounted; it should have flexible leads and be allowed to move freely. After mounting the tube in the cabinet, note that the position of the base can fall within a circle having a diameter of max. 55 mm concentric with an imaginary tube axis.

Fig.2 Tube dimensions; top view.

'Black Line S' colour picture tube

A80EFF002X

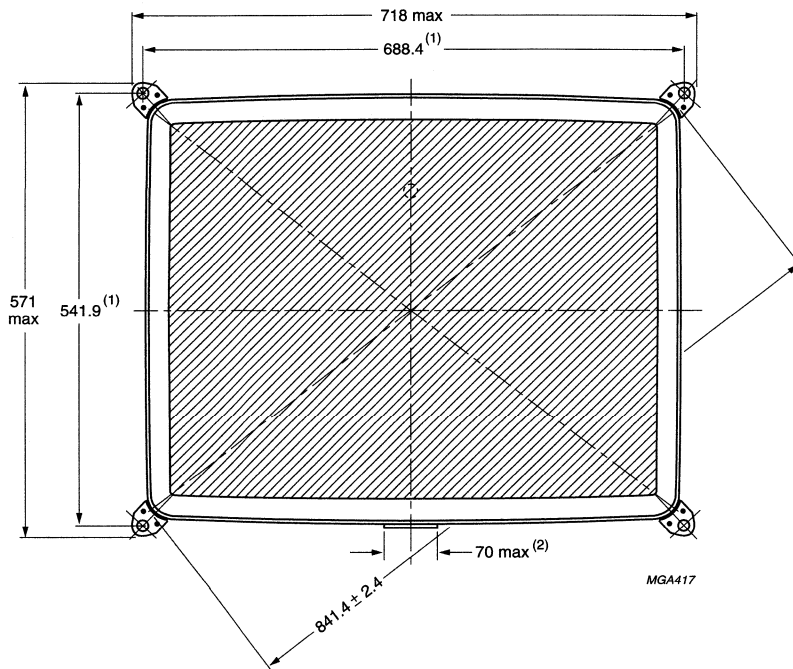


Dimensions in mm.

Fig.3 Tube dimensions; side view.

'Black Line S' colour picture tube

A80EFF002X



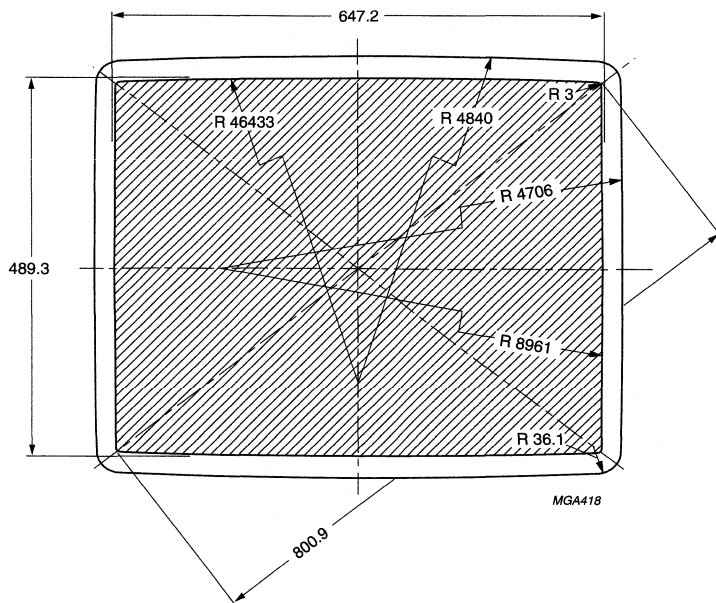
Dimensions in mm.

- (1) The position of the mounting screw in the cabinet must be within a circle of 10.5 mm drawn around the true geometrical positions (i.e. the corners of a rectangle 688.4 mm × 541.9 mm).
- (2) Location of fishplate.

Fig.4 Tube dimensions; front view.

'Black Line S' colour picture tube

A80EFF002X

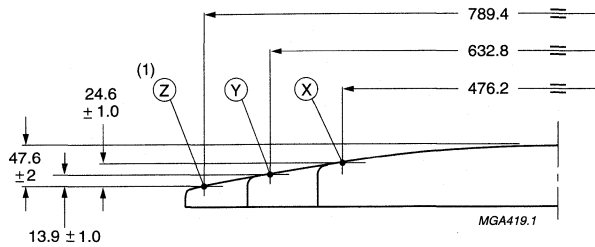


Dimensions in mm.

Fig.5 Phosphor and screen dimensions.

'Black Line S' colour picture tube

A80EFF002X



Dimensions in mm.

(1) Coordinates of Z-point: X = 315.76, Y = 236.82.

The X, Y and Z reference points are located on the outside surface of the face plate on the minor, major and diagonal screen axis respectively.

The distance Z from any point on the screen to the centre can be calculated using the following formula:

$$R = \sqrt{X^2 + Y^2}$$

$$A = \tan^{-1}\left(\frac{Y}{X}\right)$$

$$P = \sum_{i=0}^5 \{B_i \times \cos(2 \times i \times A)\}$$

$$Q = \left[\sum_{i=0}^5 \{K_i \times \cos(2 \times i \times A)\} \right]^{-1}$$

$$Z = \left\{ \frac{\sqrt{Q^2 + R^2} - Q}{P} \right\}$$

$$B_0 = 1.5212766$$

$$B_1 = 0.4812777$$

$$B_2 = -1.3812790$$

$$B_3 = -0.3712766$$

$$B_4 = 2.3713430 \times 10^{-6}$$

$$B_5 = -1.0992640 \times 10^{-6}$$

$$K_0 = 1.0898877 \times 10^{-3}$$

$$K_1 = 3.0225573 \times 10^{-4}$$

$$K_2 = -1.0012023 \times 10^{-3}$$

$$K_3 = -2.3277834 \times 10^{-4}$$

$$K_4 = 7.6873502 \times 10^{-6}$$

$$K_5 = 2.6051020 \times 10^{-6}$$

Fig.6 Screen reference points.

'Black Line S' colour picture tube

A80EFF002X

Sagittal heights with reference to screen centre at edge of the nominal useful screen

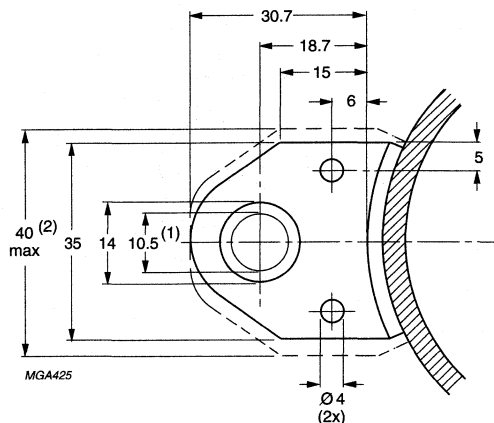
NOMINAL USEFUL SCREEN (NUS)		3 mm INSIDE NUS				10 mm OUTSIDE NUS		
COORDINATES		SAGITTAL HEIGHT (mm)	COORDINATES		SAGITTAL HEIGHT (mm)	COORDINATES		SAGITTAL HEIGHT (mm)
X (mm)	Y (mm)		X (mm)	Y (mm)		X (mm)	Y (mm)	
0.0	0.0	48.9	0.0	0.0	48.3	0.0	0.0	52.2
0.0 ⁽¹⁾	244.5	24.7	0.0	241.5	24.7	0.0	254.5	25.9
10.0	244.5	24.7	10.0	241.5	24.7	10.0	254.5	25.9
20.0	244.5	24.6	20.0	241.5	24.6	20.0	254.5	25.9
40.0	244.4	24.4	40.0	241.4	24.3	40.0	254.4	25.6
60.0	244.4	23.9	60.0	241.4	23.9	60.0	254.4	25.1
80.0	244.4	23.2	80.0	241.4	23.2	80.0	254.4	24.5
100.0	244.4	22.3	100.0	241.4	22.3	100.0	254.4	23.6
120.0	244.3	21.2	120.0	241.3	21.2	120.0	254.3	22.5
140.0	244.3	19.9	140.0	241.3	19.9	140.0	254.3	21.2
160.0	244.2	18.5	160.0	241.2	18.4	160.0	254.2	19.8
180.0	244.1	16.9	180.0	241.1	16.8	180.0	254.1	18.2
200.0	244.0	15.1	200.0	241.0	15.0	200.0	254.0	16.4
220.0	243.9	13.1	220.0	240.9	13.0	220.0	253.9	14.5
240.0	243.8	10.9	240.0	240.8	10.8	240.0	253.8	12.4
260.0	243.7	8.5	260.0	240.7	8.3	260.0	253.7	10.1
280.0	243.6	5.8	280.0	240.6	5.7	280.0	253.6	7.5
300.0	243.5	2.9	300.0	240.5	2.7	300.0	253.5	4.7
317.3	243.4	0.2	310.0	240.4	1.2	320.0	253.4	1.6
319.7 ⁽²⁾	242.2	0.0	317.3	240.4	0.0	329.9	253.3	0.0
320.3	240.0	0.2	317.3	240.0	0.1	330.3	240.0	1.7
320.6	230.0	1.4	317.6	230.0	1.3	330.6	230.0	2.9
320.8	220.0	2.6	317.8	220.0	2.5	330.8	220.0	4.0
321.3	200.0	4.6	318.3	200.0	4.6	331.3	200.0	6.0
321.7	180.0	6.4	318.7	180.0	6.3	331.7	180.0	7.7
322.1	160.0	7.9	319.1	160.0	7.8	332.1	160.0	9.1
322.4	140.0	9.1	319.4	140.0	9.1	332.4	140.0	10.3
322.7	120.0	10.2	319.7	120.0	10.2	332.7	120.0	11.3
322.9	100.0	11.2	319.9	100.0	11.2	332.9	100.0	12.3
323.1	80.0	12.0	320.1	80.0	12.0	333.1	80.0	13.1
323.3	60.0	12.8	320.3	60.0	12.8	333.3	60.0	13.8
323.4	40.0	13.3	320.4	40.0	13.3	333.4	40.0	14.4
323.5	20.0	13.6	320.5	20.0	13.6	333.5	20.0	14.7
323.5	10.0	13.7	320.5	10.0	13.7	333.5	10.0	14.7
323.5 ⁽³⁾	0.0	13.7	320.5	0.0	13.7	333.5	0.0	14.7

Notes

1. End of short axis.
2. End of diagonal axis.
3. End of long axis.

'Black Line S' colour picture tube

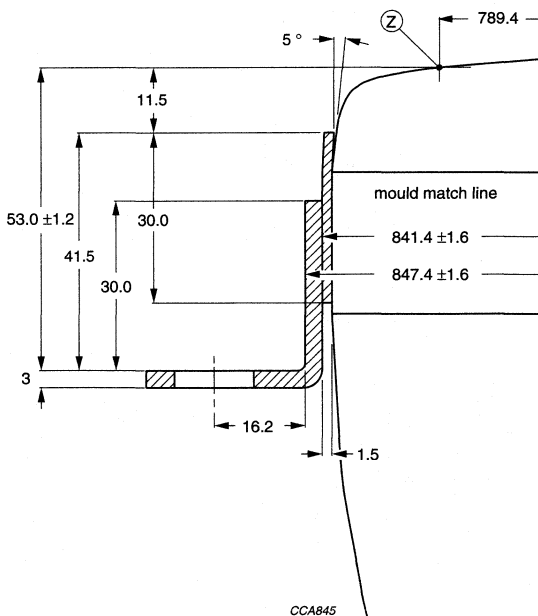
A80EFF002X



Dimensions in mm.

- (1) The position of the mounting screw in the cabinet must be within a circle of 10.5 mm diameter drawn around the true geometrical positions, i.e. the corners of a rectangle of 688.4 mm x 541.9 mm.
- (2) Minimum space to be reserved for mounting lug.

Fig.7 Lug dimensions.



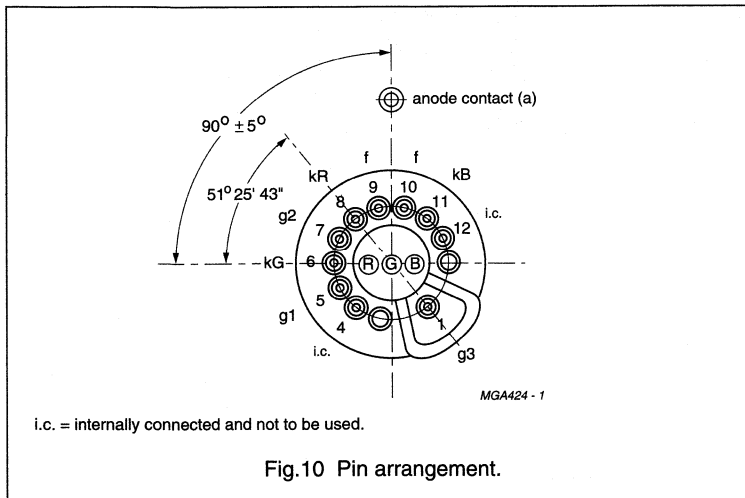
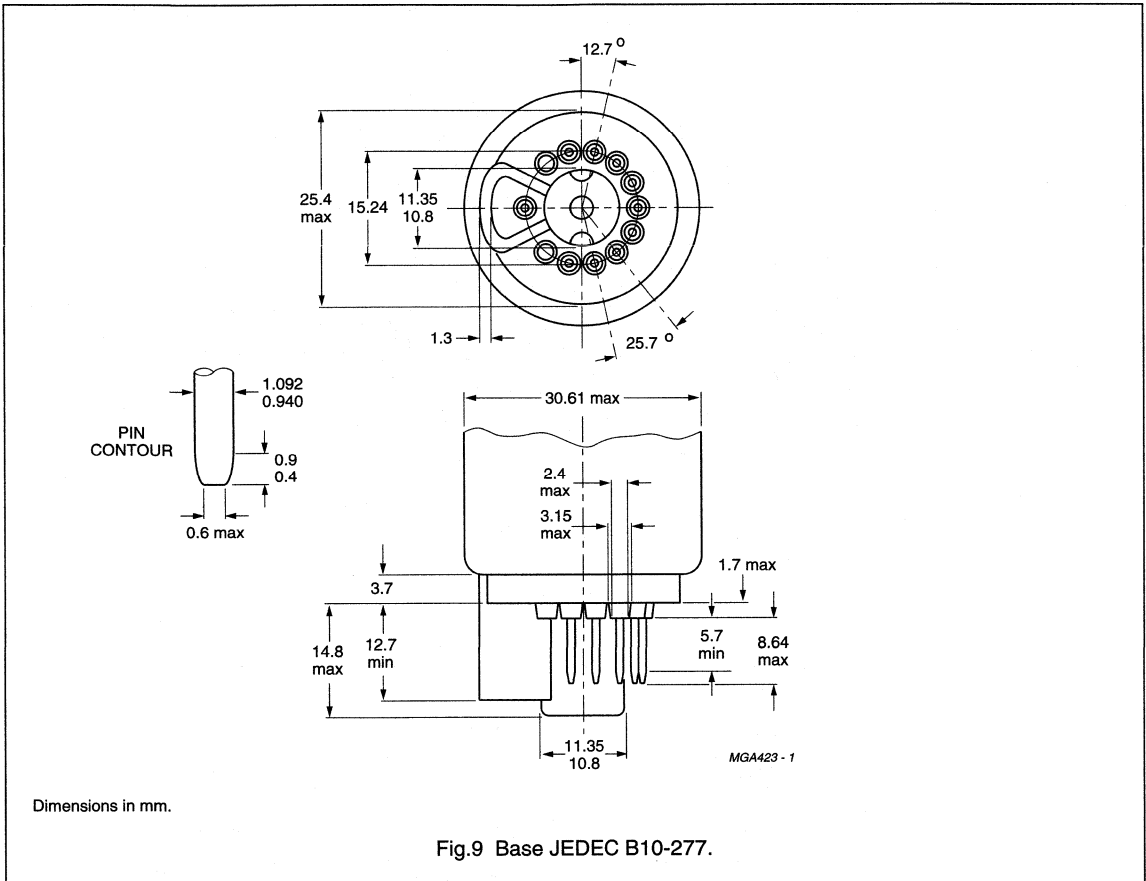
Dimensions in mm.

The displacement of any lug with respect to the plane through the three other lugs is max. 1.0 mm.

Fig.8 Lug position.

'Black Line S' colour picture tube

A80EFF002X



Remarks: to Figs 9 and 10.

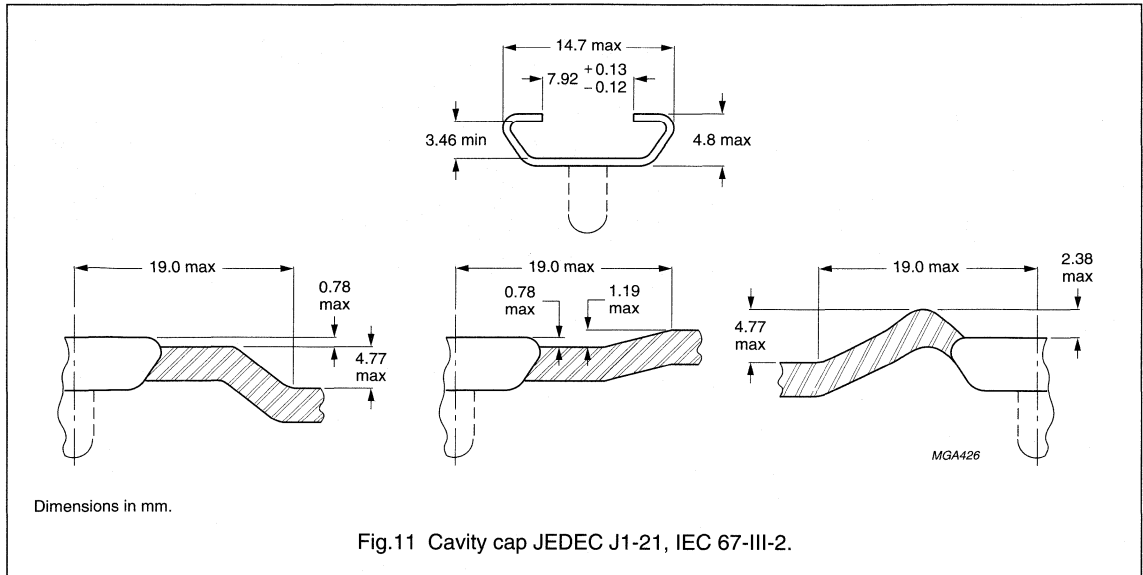
The socket for this base should not be rigidly mounted, it should have flexible leads and be allowed to move freely. After mounting the tube in the cabinet, note that the position of the base can fall within a circle having a diameter of max. 55 mm concentric with an imaginary tube axis.

The mass of the mounting socket assembly should not exceed 150 g.

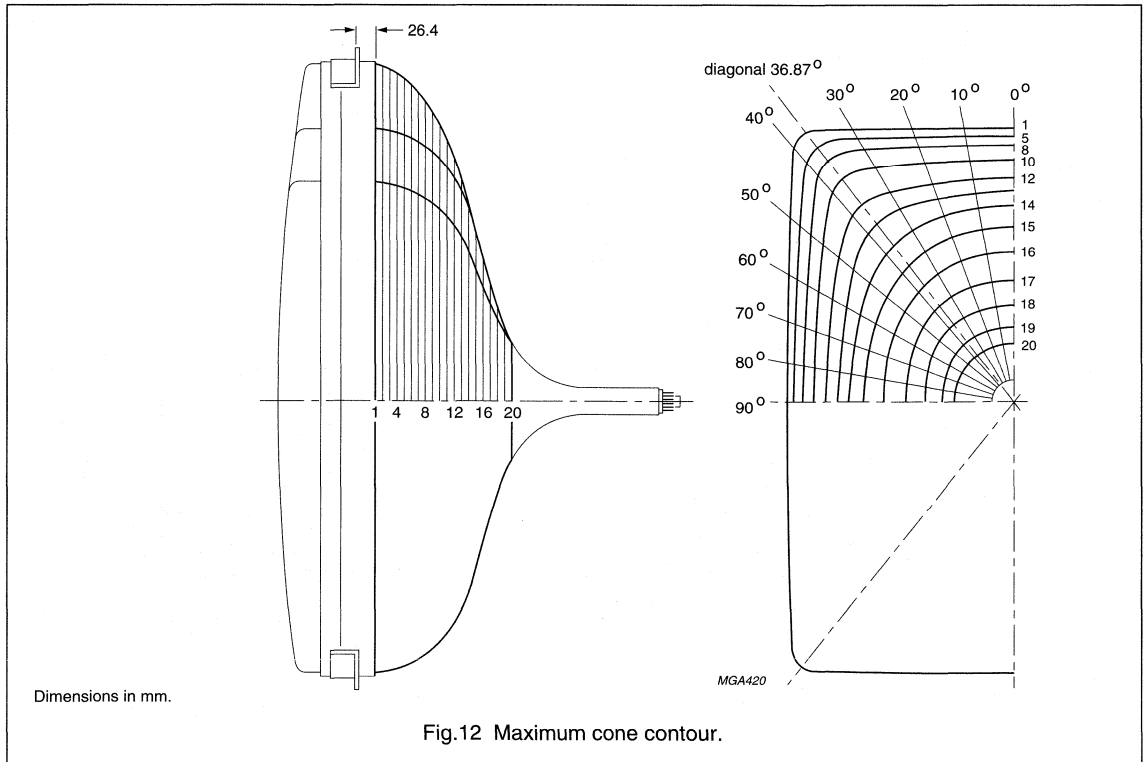
Maximum permissible torque on the tube neck is 0.04 Nm.

'Black Line S' colour picture tube

A80EFF002X



Cone contour



'Black Line S' colour picture tube

A80EFF002X

Cone contour data

SECTION	NOMINAL DISTANCE FROM SECTION 1 (mm)	MAXIMUM DISTANCE FROM TUBE AXIS (mm)										
		0°	10°	20°	30°	36.87°	40°	50°	60°	70°	80°	90°
1	0	345.9	350.9	366.4	394.9	417.6	409.2	349.6	312.1	289.2	276.6	272.7
2	10.0	344.6	349.6	365.3	393.9	416.3	407.7	348.8	311.3	288.2	275.6	271.6
3	20.0	341.3	346.4	362.1	390.6	412.8	404.2	346.4	308.9	285.8	273.3	269.3
4	30.0	336.9	341.8	357.3	385.2	406.6	398.6	342.1	305.2	282.5	270.2	266.2
5	40.0	332.0	336.8	351.8	378.7	397.7	390.4	336.9	301.0	278.9	266.8	262.9
6	50.0	326.6	331.3	345.7	370.8	385.8	379.3	330.6	296.2	274.8	263.1	259.4
7	60.0	320.8	325.2	338.7	361.2	371.5	365.9	323.1	290.6	270.1	258.9	255.2
8	70.0	314.2	318.3	330.4	350.2	356.6	351.6	314.5	284.0	264.5	253.7	250.2
9	80.0	306.5	310.4	321.9	337.9	341.4	336.8	304.9	276.3	257.9	247.6	244.3
10	90.0	297.7	301.3	311.6	324.3	325.7	321.5	294.0	267.8	250.3	240.6	237.4
11	100.0	287.5	290.7	299.6	309.4	309.2	305.4	282.0	258.2	241.9	232.7	229.7
12	110.0	275.3	278.2	285.8	293.0	291.9	288.5	260.9	247.7	232.6	223.9	221.1
13	120.0	261.1	263.6	269.9	275.1	273.6	270.7	254.5	236.1	222.3	214.2	211.6
14	130.0	244.9	247.1	252.2	256.0	254.5	252.2	239.0	223.2	210.8	203.4	201.0
15	140.0	227.2	229.1	233.2	236.1	234.7	232.8	222.1	208.8	197.9	191.2	189.0
16	150.0	208.1	209.6	213.0	215.0	213.7	212.2	203.6	192.6	183.2	177.3	175.3
17	160.0	187.1	188.5	191.1	192.5	191.4	190.1	183.3	174.4	166.5	161.3	159.6
18	170.0	164.0	165.0	167.0	168.0	167.0	166.0	160.7	153.8	147.4	143.1	141.6
19	180.0	137.9	138.7	140.0	140.5	139.7	139.0	135.3	130.4	125.7	122.5	121.2
20	190.0	108.6	109.0	109.7	109.8	109.3	108.8	106.9	104.2	101.5	99.5	98.7
21	200.0	76.3	76.4	76.5	76.5	76.4	76.3	76.0	75.6	75.2	74.9	74.7
22	200.82	73.6	73.6	73.7	73.6	73.6	73.6	73.4	73.2	73.0	72.8	72.7

HANDLING

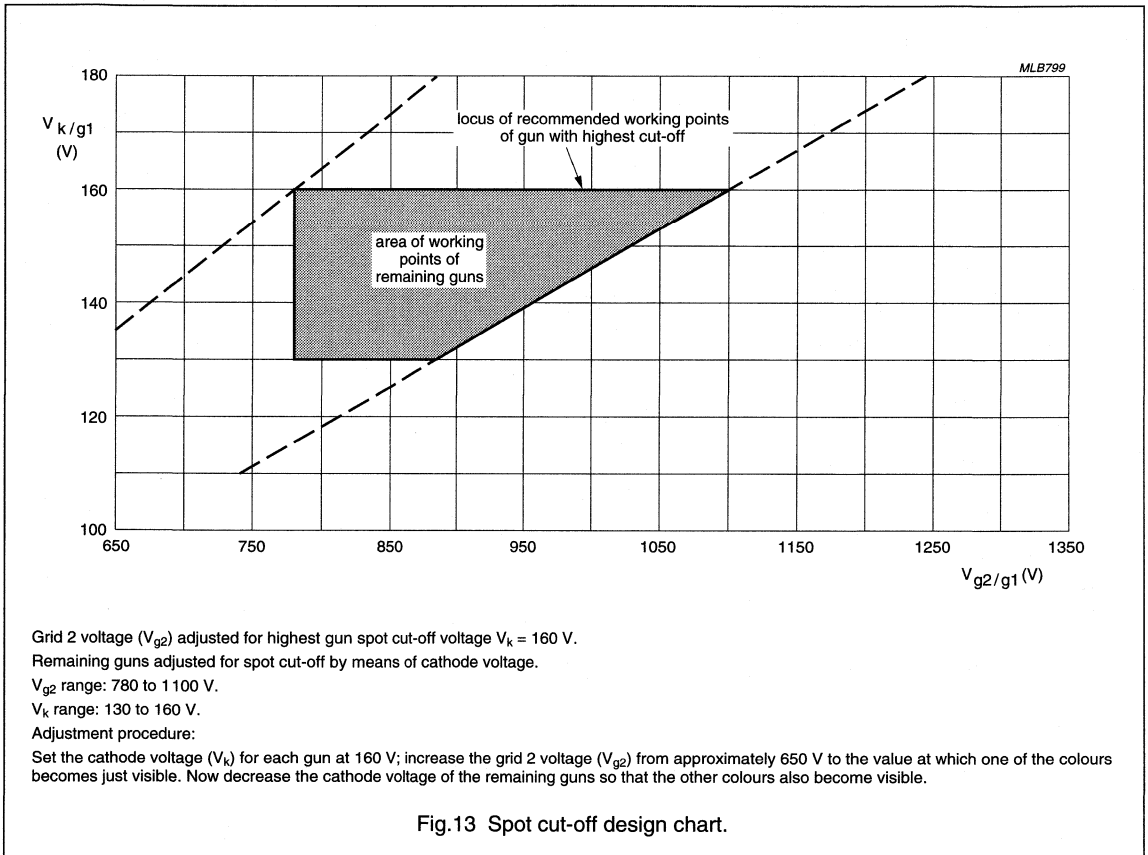
During shipment and handling the tube should not be subjected to accelerations greater than 200 m/s² in cone direction and 350 m/s² in any other direction.

'Black Line S' colour picture tube

A80EFF002X

OPERATING DATA

SYMBOL	PARAMETER	CONDITION	MIN.	TYP.	MAX.	UNIT
V_a	anode voltage	full screen load	–	27.5	–	kV
V_{g3}	grid 3 (focus electrode) voltage	screen centre	7.5	–	8.7	kV
V_{g2}	grid 2 voltage		see Fig.13			
V_f	heater voltage	tube operating	5.7	6.15	6.6	V



'Black Line S' colour picture tube

A80EFF002X

CHASSIS DESIGN VALUES

The values given are valid for anode voltages between 25 and 33 kV. The voltages are specified with respect to grid 1.

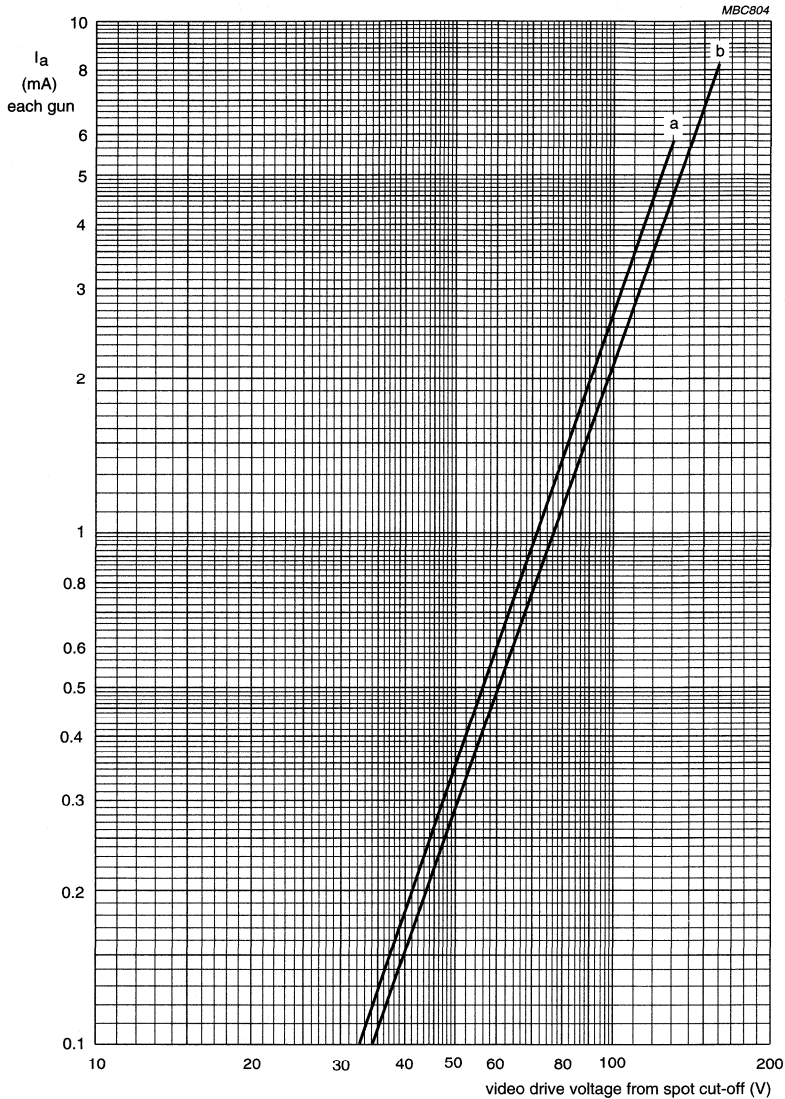
SYMBOL	PARAMETER	CONDITIONS	MIN.	TYP.	MAX.	UNIT
V_{g3}	grid 3 (focus electrode) voltage as a percentage of anode voltage		26	–	29.8	%
V_{g2} and V_k	grid 2 voltage and cathode voltage	for visual extinction of focused spot	see Fig.13			
ΔV_k	difference in cut-off voltage between guns in any tube		lowest value >80% of highest value			
V_f	heater voltage	at average beam current	5.7	6.15	6.6	V
	video drive characteristics		note 1 and Fig.14			
I_{g3}	grid 3 (focus electrode) current		–2	–	+2	μA
I_{g2}	grid 2 current		–2	–	+2	μA
I_{g1}	grid 1 current	under cut-off conditions	–2	–	+2	μA
R_{ins}	insulation resistance	each cathode to grid 1 and heater	50	–	–	$\text{M}\Omega$
Anode currents to produce white of 6500 K + 7 MPCD (CIE coordinates: x = 0.313; y = 0.329)						
PERCENTAGE OF THE TOTAL ANODE CURRENT SUPPLIED BY EACH GUN (TYPICAL)						
	red gun		–	41.3	–	%
	green gun		–	34.4	–	%
	blue gun		–	24.3	–	%
RATIO OF ANODE CURRENTS						
	red gun to green gun		0.85	1.20	1.55	
	red gun to blue gun		1.20	1.70	2.20	
	blue gun to green gun		0.40	0.70	1.00	

Note

1. For optimum picture performance it is recommended that the cathodes are not driven below +1 V.

'Black Line S' colour picture tube

A80EFF002X



MBC804

$V_1 = 6.15$ V.
 $V_a = 27.5$ kV.
 V_{g3} adjusted for focus.
 V_{g2} (each gun) adjusted to provide spot cut-off for $V_k = 130$ V (curve a) and $V_k = 160$ V (curve b).

Fig.14 Typical cathode drive characteristics.

'Black Line S' colour picture tube

A80EFF002X

LIMITING VALUES

In accordance with the Absolute Maximum Rating System (IEC 134). Voltages are specified with respect to grid 1.

SYMBOL	PARAMETER	CONDITIONS	MIN.	MAX.	UNIT
V_a	anode voltage	note 1 and Fig.14	25 ⁽²⁾	33 ⁽³⁾	kV
I_a	long-term average anode current for three guns		–	1300	μ A
	short-term average anode current for three guns		–	1800	μ A
V_{g3}	focus voltage	note 4	–	12	kV
V_{g2}	grid 2 voltage	note 5	–	1400	V
V_f	heater voltage	note 6	5.7	6.6	V
Cathode voltage					
V_k	positive		–	250	V
V_k	during switch-off		–	250	V
V_k	positive operating cut-off		–	200	V
V_k	negative		–	0	V
V_{kp}	negative peak		–	–2	V
Cathode to heater voltage					
V_{kf}	positive		–	250	V
V_{kfp}	positive peak		–	300	V
V_{kf}	negative		–	0	V
V_{kfp}	negative peak		–	–50	V
Circuit limiting values					
R_{g3}	grid 3 circuit resistance		–	70	M Ω
R_{g2}	grid 2 circuit resistance		–	7	M Ω
R_{g1-k}	grid 1 to cathode circuit resistance		–	750	k Ω

Notes

1. During adjustment on the production line this value is likely to be surpassed considerably. It is therefore strongly recommended to first make the necessary adjustments for normal operation without the picture tube.
2. Operation of the tube at lower voltages impairs the luminance and resolution and could impair convergence.
3. This value is an absolute maximum.
4. During flash-over maximum 20 kV is allowed (see Chapter "Flashover protection").
5. During adjustment on the production line a maximum value of 1500 V is allowed.
6. For maximum cathode life and optimum performance it is recommended that the heater supply is designed for 6.15 V at average beam current, for most applications this equals 6.3 V at zero beam current. **The heater supply source impedance must not be less than 2 Ω .**

BEAM CENTRING

Maximum centring error in any direction is 5 mm.

'Black Line S' colour picture tube

A80EFF002X

FLASHOVER PROTECTION

The high voltages used with this tube (absolute max. 33.0 kV) may produce internal flashovers. Soft-flash technology limits these flashover currents to approximately 60 A offering higher reliability, optimum circuit protection and component savings.

Primary protective circuitry using properly grounded spark gaps and series isolation resistors (preferably carbon composition) is still necessary

to prevent tube damage. The spark gaps should be connected to all picture tube electrodes (except the tube heaters) at the tube socket in accordance with Fig.15. No other connections between the outer conductive coating and the chassis are permissible. The spark gaps should be designed for a maximum breakdown voltage at the focus electrode (g_3) of approximately 19 to 20 kV and at the other electrodes of 1.5 to 2 kV at the lowest operating atmospheric pressure.

The values of the series isolation resistors should be as high as possible (min. 1.5 k Ω) without causing deterioration of circuit performance. The resistors should be able to withstand an instantaneous surge of 20 kV for the focus circuit and 12 kV for the remaining circuits without arcing.

Additional information is available on request.

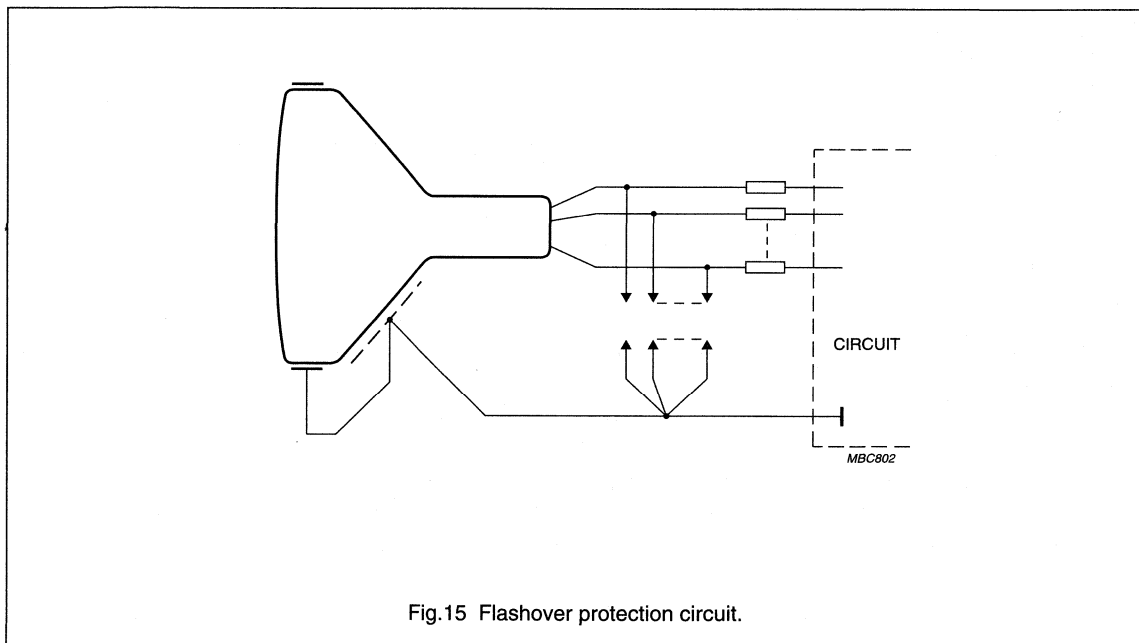


Fig.15 Flashover protection circuit.

'Black Line S' colour picture tube

A80EFF002X

X-RADIATION

Maximum anode voltage at which the X-radiation emitted will not exceed 0.5 mR/h at an anode current of 300 µA.

PARAMETER	VALUE
Entire tube; note 1	46 kV

Note

1. This rating applies only if the anode connector used by the set maker provides the necessary attenuation to reduce the X-radiation from the anode contact by a factor equal to the difference between the anode button iso-exposure-rate limit curve and the iso-exposure limit curve for the entire tube.

WARNING

If the value for the tube face only is used as design criteria, adequate shielding must be provided in the TV receiver for the anode contact and/or certain portions of the tube funnel and panel sidewalls to ensure that the X-radiation from the TV receiver is attenuated to a value equal to or lower than that specified for the face of the tube.

The X-radiation emitted from this picture tube, as measured in accordance with the procedure of "JEDEC Publications No.64D" will not exceed 0.5 mR/h throughout the useful life of the tube when operated within the design-maximum ratings.

The tube should not be operated beyond its design-maximum ratings stated above, but its X-radiation will not exceed 0.5 mR/h for anode voltage and current combinations given by the iso-exposure-rate limit characteristics as shown in Fig.16.

Operation above the values shown by the curve may result in failure of the TV receiver to comply with the "Federal Performance Standard of the U.S. for Television Receivers, Section 1020.10 of Part 1020 of Title 21, Code of Federal Regulation (PL90-602)" as published in "Federal Register Volume 38, No. 198 Monday, October 15, 1973".

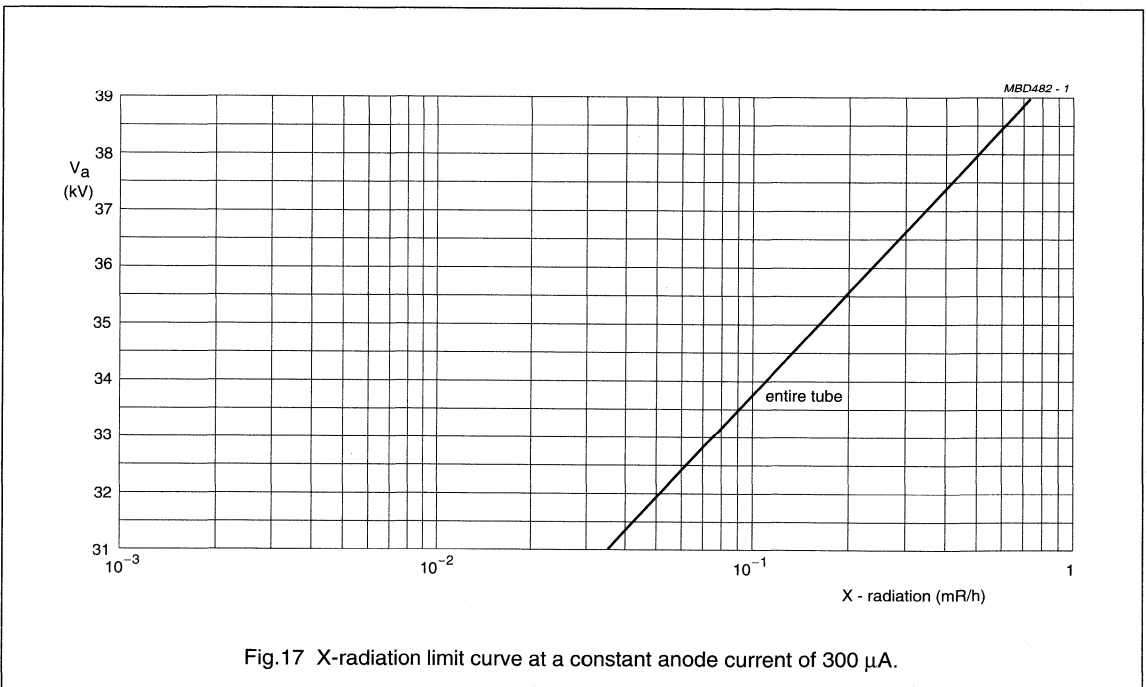
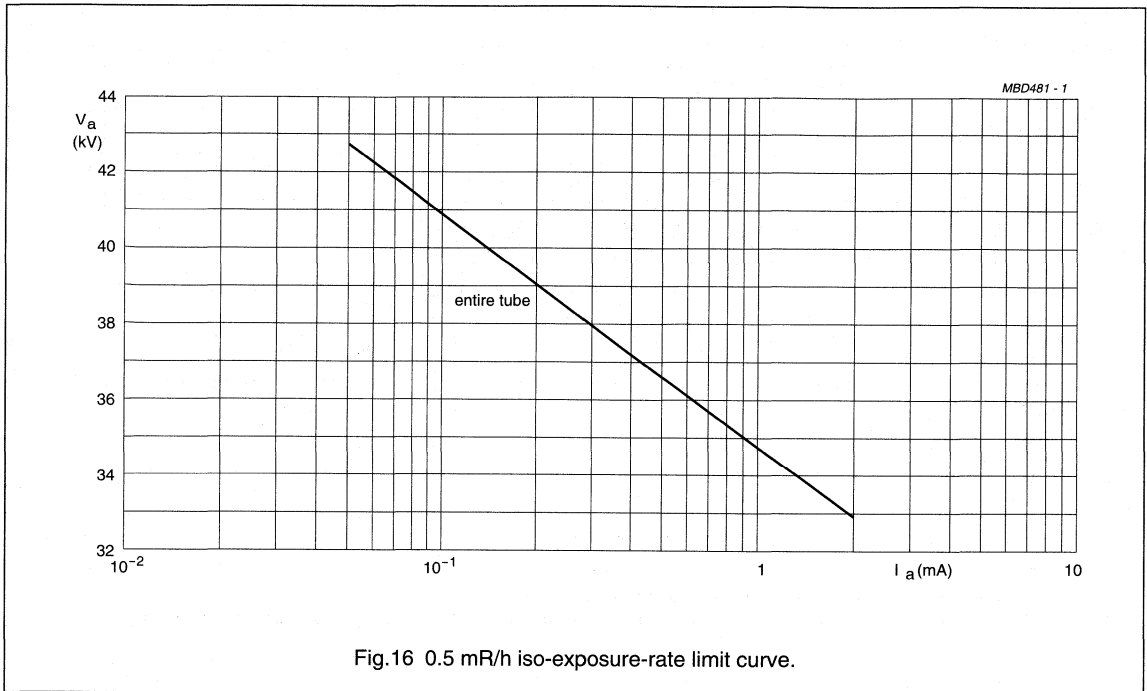
Maximum X-radiation as a function of anode voltage at 300 µA current is shown by Fig.17. X-radiation at a constant anode voltage varies linearly with anode current.

WARNING

The cathode ray tube is intrinsically safe in accordance with "Appendix III Röntgenverordnung".
Eigensichere Kathodenstrahlröhre nach "Anlage III Röntgenverordnung".

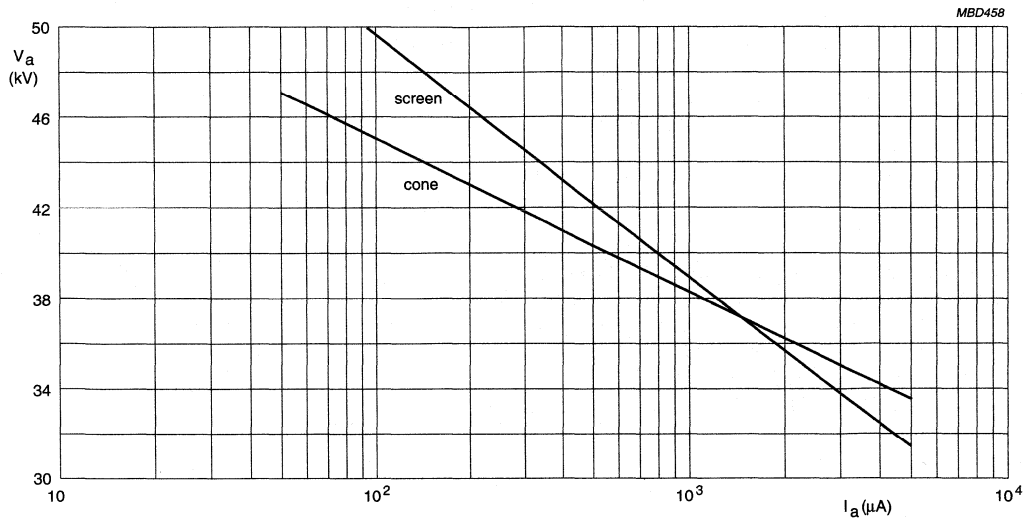
'Black Line S' colour picture tube

A80EFF002X



'Black Line S' colour picture tube

A80EFF002X



The tube does not emit X-radiation above 1 $\mu Sv/h$ when operated at 30 kV and 1.5 mA.
 The X-radiation emitted will also not exceed 1 $\mu Sv/h$ for anode voltage and current combinations shown in the iso-exposure-rate limit curve.

Fig.18 1 $\mu Sv/h$ iso-exposure-rate limit curve.

'Black Line S' colour picture tube

A80EFF002X

DEGAUSSING

The picture tube is provided with an internal magnetic shield. This shield and the shadow mask with its suspension system may be provided with an automatic degaussing system, consisting of two coil windings mounted on the cone of the picture tube.

For proper degaussing an initial magnetomotive force (MMF) of 600 ampere-turns is required in each coil. This MMF has to be gradually decreased using appropriate degaussing circuitry. In the steady state, no significant MMF should remain in the coils (≤ 0.25 ampere-turns).

To prevent beam landing disturbances by line-frequency currents induced in the degaussing coils, these coils should be shunted by a capacitor of sufficiently high value.

If single-phase power rectification is employed in the TV circuitry, provision should be included to prevent asymmetric distortion of the

AC voltage applied to the degaussing circuit due to high DC inrush currents.

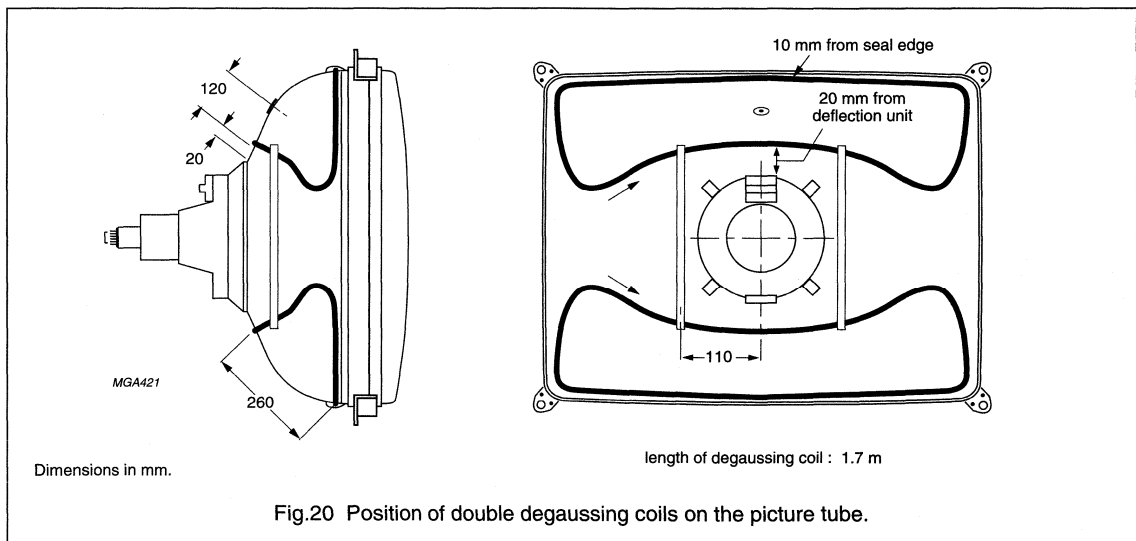
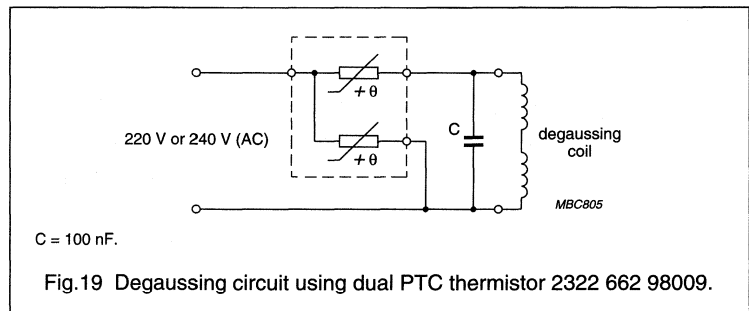
In principle, degaussing should be carried out during the 'off' scanning period (especially, the vertical scanning should be 'off'). If degaussing is attempted during 'on' scanning condition, beam register of the tube may be affected.

An example of a degaussing circuit and coil data is given in Fig.19 and Table "Degaussing coil data".

To ease mounting the coils, the rimband is provided with rectangular holes.

Degaussing coil data

PARAMETER	TYP.	UNIT
Circumference	170	cm
Number of turns	120	
Copper wire diameter	0.63	mm
Resistance	11	Ω



'Black Line S'
colour picture tube assembly

A80EFF002X11

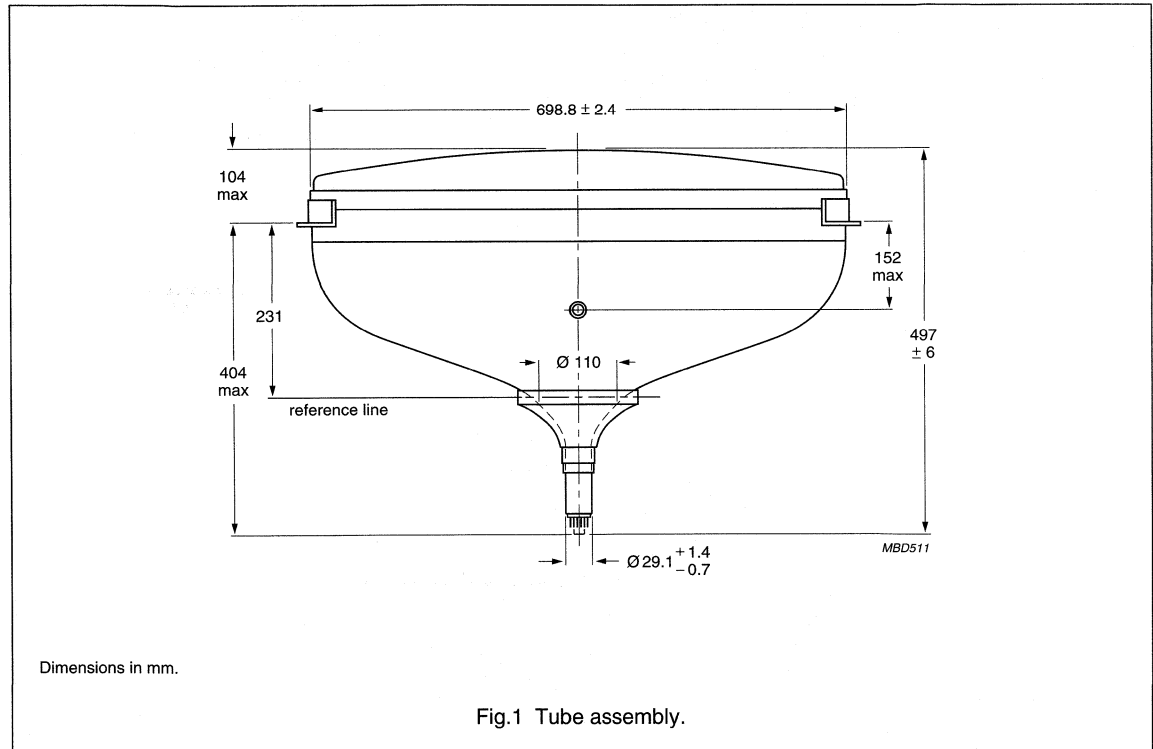
FEATURES

- Factory preset tube/coil assembly
- Self-converging and north-south raster correction free
- Scan Velocity Modulation (SVM) for improved picture sharpness
- 80 cm, 110° colour picture tube A80EFF002X
- Double saddle deflection unit.

QUICK REFERENCE DATA

PARAMETER	TYP.	UNIT
Deflection angle	110	deg
Minimum useful screen diagonal	80	cm
Overall length	50	cm
Glass transmission	36.7	%
Neck diameter	29.1	mm
Anode voltage	27.5	kV

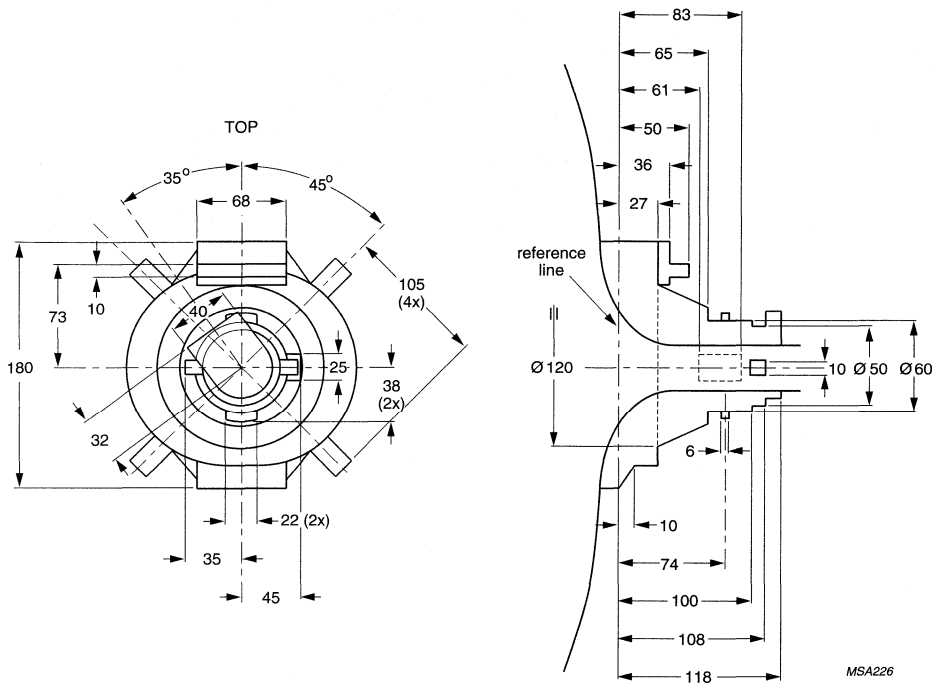
MECHANICAL DATA



Black Line S

'Black Line S' colour picture tube assembly

A80EFF002X11



Dimensions in mm.

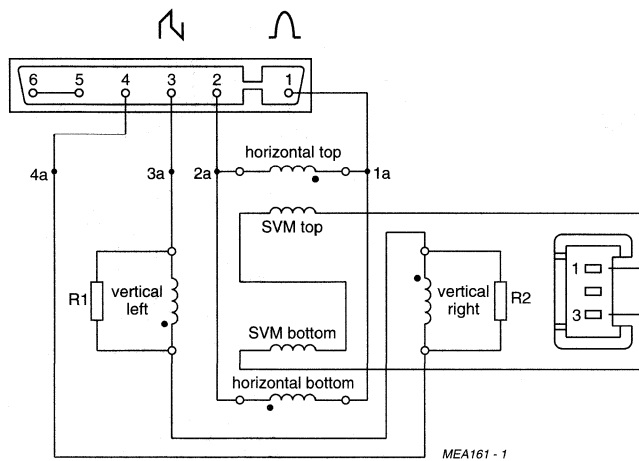
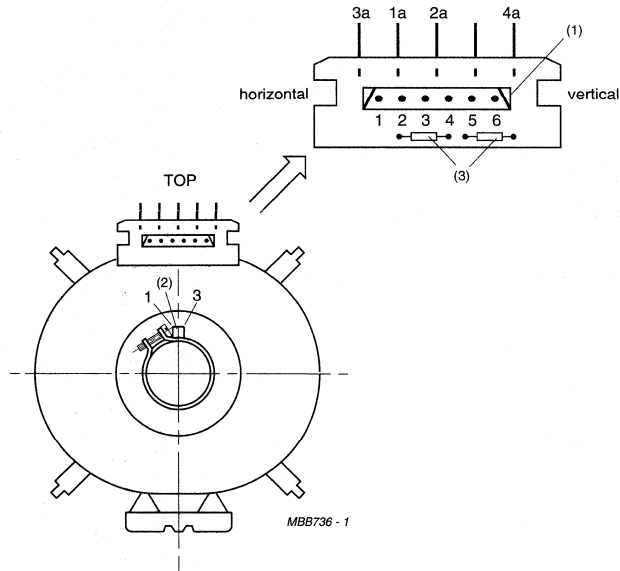
Fig.2 Yoke clearance.

DEFLECTION COIL DATA

PARAMETER	CONDITIONS	MIN.	TYP.	MAX.	UNIT
Horizontal coils, parallel connected					
Inductance	1 V (RMS); 1 kHz	1.44	1.50	1.56	mH
Resistance	$T_{amb} = 25\text{ }^{\circ}\text{C}$	1.35	1.50	1.65	Ω
Horizontal deflection current (peak-to-peak value)	edge-to-edge; $V_a = 27.5\text{ kV}$	–	4.87	–	A
Vertical coils, series connected					
Inductance	1 V (RMS); 1 kHz	10.17	11.30	12.43	mH
Resistance	$T_{amb} = 25\text{ }^{\circ}\text{C}$	6.23	6.70	7.17	Ω
Vertical deflection current (peak-to-peak value)	edge-to-edge; $V_a = 27.5\text{ kV}$	–	1.62	–	A
SVM coils					
Inductance	1 V (RMS); 1 kHz	3.78	4.20	4.62	μH
Resistance	$T_{amb} = 25\text{ }^{\circ}\text{C}$	1.28	1.60	1.92	Ω

'Black Line S'
colour picture tube assembly

A80EFF002X11



The beginning of the windings is indicated with •

- (1) Main connector: Stocko series MKS 2820; matching socket connector Stocko series MKF 2800.
- (2) SVM connector: Stocko system RFK 1 (MKS series); matching connector MKF17033, MKF17330 or MKF17360 series.
- (3) $R1 = R2 = 100 \Omega, 0.25 W$.

Fig.3 Deflection coil connections.

'Black Line S'
colour picture tube assembly

A80EFF002X43

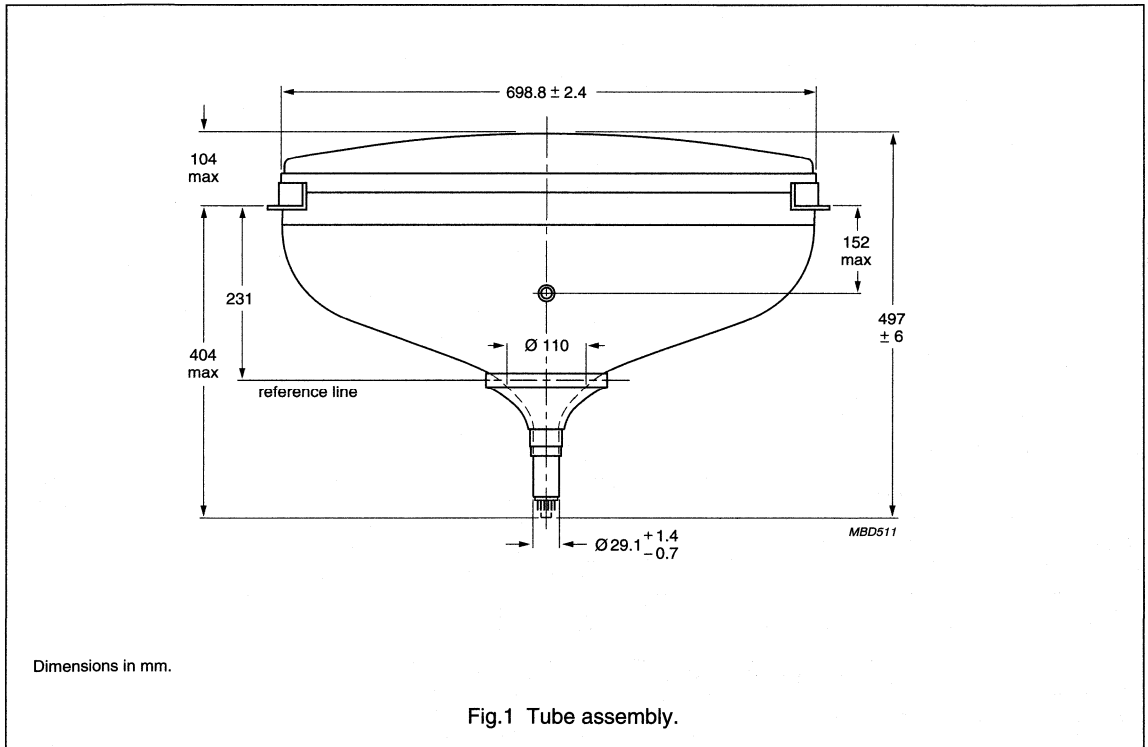
FEATURES

- 100 Hz vertical repetition
- Factory preset tube/coil assembly
- Self-converging and north-south raster correction free
- Scan Velocity Modulation (SVM) for improved picture sharpness
- 80 cm, 110° colour picture tube A80EFF002X
- Double saddle deflection unit AT6076/41.

QUICK REFERENCE DATA

PARAMETER	TYP.	UNIT
Deflection angle	110	deg
Minimum useful screen diagonal	80	cm
Overall length	50	cm
Glass transmission	36.7	%
Neck diameter	29.1	mm
Anode voltage	27.5	kV

MECHANICAL DATA

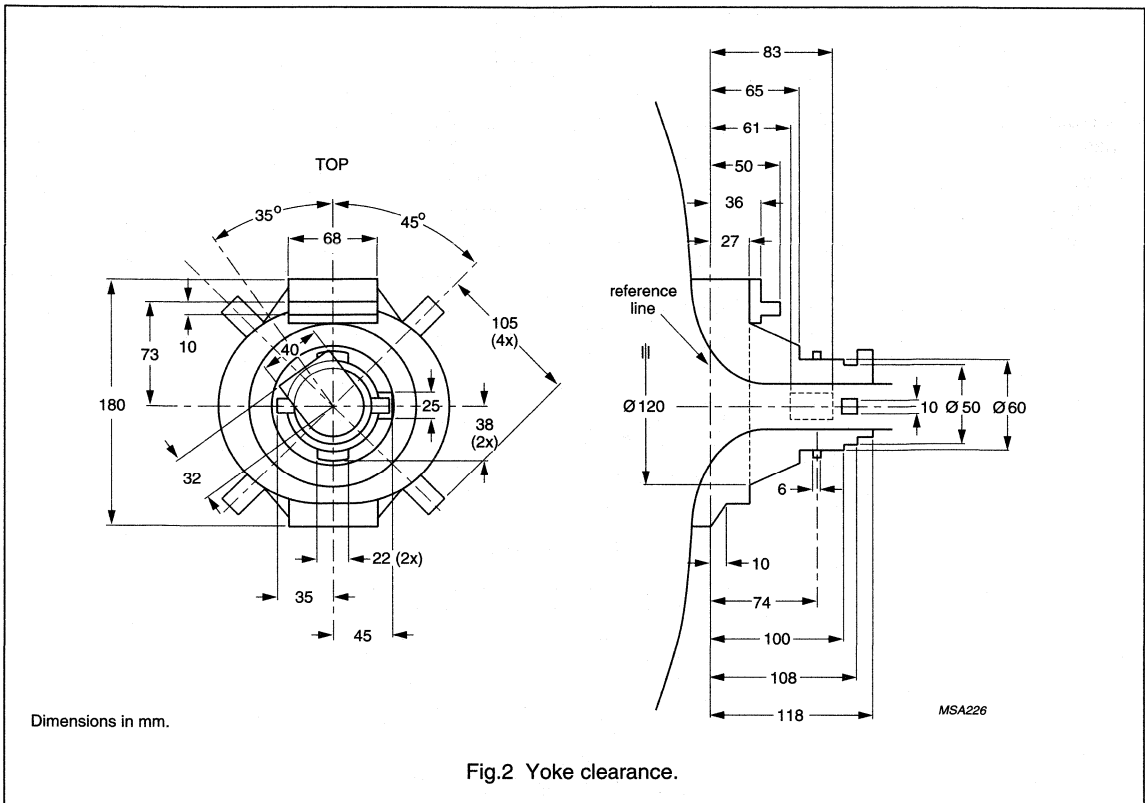


Black Line S

'Black Line S'

colour picture tube assembly

A80EFF002X43

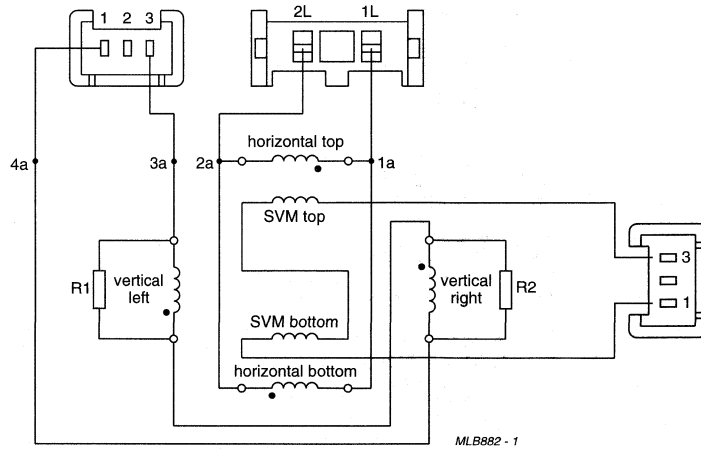
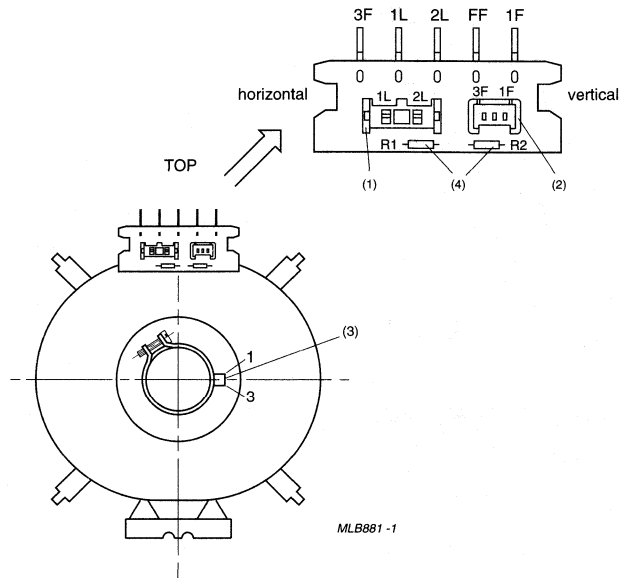


DEFLECTION COIL DATA

PARAMETER	CONDITIONS	MIN.	TYP.	MAX.	UNIT
Horizontal coils, parallel connected					
Inductance	1 V (RMS); 1 kHz	0.34	0.35	0.36	mH
Resistance	$T_{amb} = 25\text{ }^{\circ}\text{C}$	0.45	0.50	0.55	Ω
Magnetic flux		3.38	3.48	3.58	mWb
Horizontal deflection current (peak-to-peak value)	edge-to-edge; $V_a = 27.5\text{ kV}$	–	10.0	–	A
Vertical coils, series connected					
Inductance	1 V (RMS); 1 kHz	6.03	6.70	7.37	mH
Resistance	$T_{amb} = 25\text{ }^{\circ}\text{C}$	3.70	4.00	4.30	Ω
Vertical deflection current (peak-to-peak value)	edge-to-edge; $V_a = 27.5\text{ kV}$	–	2.06	–	A
SVM coils					
Inductance	1 V (RMS); 10 kHz	1.62	1.80	1.98	μH
Resistance	$T_{amb} = 25\text{ }^{\circ}\text{C}$	0.8	1.0	1.2	Ω
Sensitivity in X-direction	at screen centre	–	2.1	–	mm/A

'Black Line S'
colour picture tube assembly

A80EFF002X43



The beginning of the windings is indicated with •

- (1) Horizontal connector: AMP Ultrax connection system; connector 2-173270-2; matching connector 2-173268-2.
- (2) Vertical connector: Stocko system RFK1 (MKS series); matching connector MKF17033, MKF17330 or MKF17360 series.
- (3) SVM connector: Stocko system RFK1 (MKS series); matching connector MKF17033, MKF17330 or MKF17360 series.
- (4) $R1 = R2 = 100 \Omega, 0.25 \text{ W}$.

Fig.3 Deflection coil connections.

Widescreen Standard colour picture tube

W56ECK001X

FEATURES

- 'Super flat' screen
- Screen contour F52
- 16 : 9 screen ratio
- BLACK MATRIX technology
- High gloss screen
- In-line, CFL (Composed Field Lens), ART (Aberration Reducing Triode) gun with quadrupole cathode lens
- Mask with corner suspension
- Cd-free phosphors
 - Pigmented deep red
 - Sulphide green
 - Pigmented sulphide blue
- Quick-heating low-power cathodes
- Soft-flash
- Slotted shadow mask optimized for minimum moiré at 525 and 625 line systems
- Internal magnetic shield
- World wide application
- Internal multipole
- Rimband type mini-P
- N/S raster correction free.

QUICK REFERENCE DATA

PARAMETER	TYP.	UNIT
Deflection angle	106	deg
Nominal useful screen diagonal	56	cm
Overall length	<40.6	cm
Glass transmission	47.8	%
Neck diameter	29.1	mm
Heater voltage	6.15	V
Heater current	315	mA
Anode voltage	25	kV
Focus voltage	25% of anode voltage	

Widescreen Standard colour picture tube

W56ECK001X

ELECTRICAL DATA

SYMBOL	PARAMETER	MIN.	TYP.	MAX.	UNIT
Capacitances					
$C_{a(m+m')}$	anode to external conductive coating, including rimband	1820	1900	1980	pF
$C_{am'}$	anode to metal rimband	235	250	265	pF
$C_{k(R+G+B)}$	cathodes of all guns (connected in parallel) to all other electrodes	–	–	15	pF
C_{kR}, C_{kG}, C_{kB}	cathode of any gun to all other electrodes	–	3.6	–	pF
C_{g1}	grid 1 to all other electrodes	–	22	–	pF
C_{g3}	grid 3 (focus electrode) to all other electrodes	–	7	–	pF
Heating, indirect by AC (preferably mains or line frequency) or DC					
V_f	heater voltage	–	6.15	–	V
I_f	heater current	–	315	–	mA
Resistance					
R_{rim}	between rimband and external conductive coating	50	–	–	M Ω

ELECTRO-OPTICAL DATA

PARAMETER	VALUE
Electron gun system	unitized in-line
Focus method	electrostatic
Main lens	CFL (Composed Field Lens)
Convergence method	self converging
Deflection angles	
diagonal	106°
horizontal	97°
vertical	62°

Widescreen Standard colour picture tube

W56ECK001X

OPTICAL DATA

PARAMETER	VALUE
Screen	vertical matrix and phosphor stripes
Matrix	black opaque material; PVP technology
Screen finish	high gloss
Nominal useful screen dimensions	
diagonal	560.0 mm
horizontal axis	489.1 mm
vertical axis	275.5 mm
area	≈1345 cm ²
Phosphors	
red	pigmented europium activated rare earth
green	Cd-free sulphide type
blue	pigmented sulphide type
Persistence	medium short
Centre-to-centre distance of identical colour phosphor stripes (at screen centre)	≈0.82 mm
Light transmission of face glass at centre of screen	47.8% ±2.2%
Intrinsic luminance (L) at screen centre; at 25 kV; note 1	t.b.f. cd/m ²

Note

1. Tube settings adjusted to produce white D ($x = 0.313$, $y = 0.329$), focused raster, current density $0.4 \mu\text{A}/\text{cm}^2$.

Colour coordinates

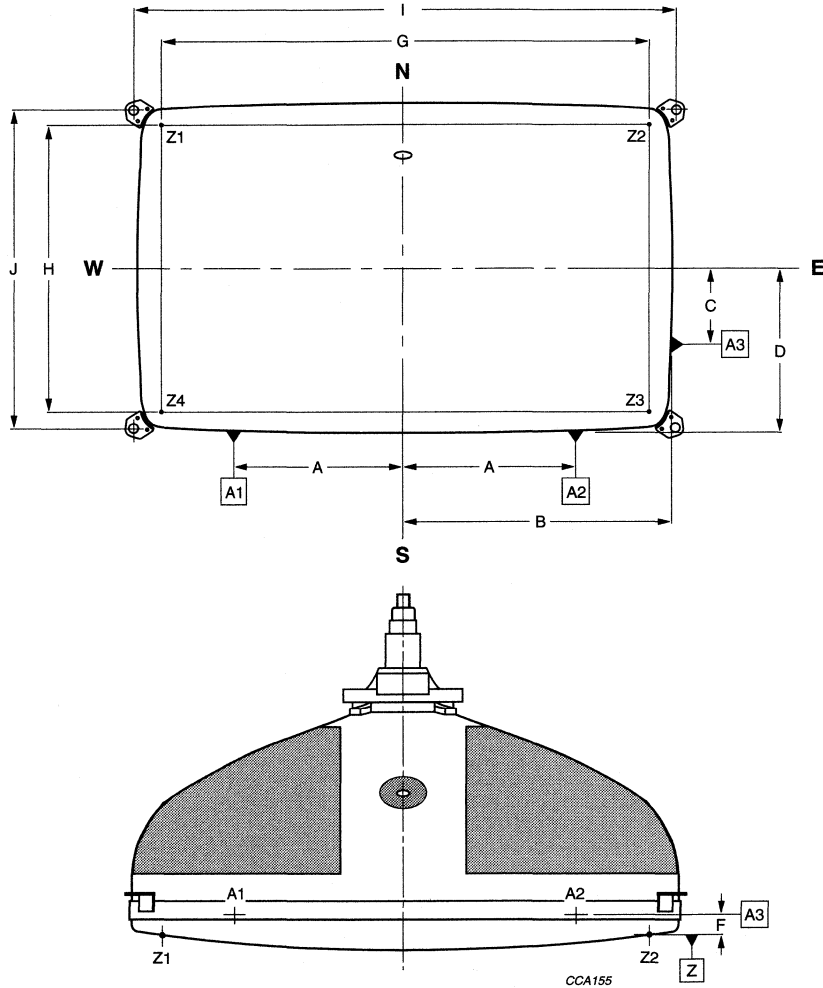
COLOUR COORDINATE	x	y
Red	0.630	0.330
Green	0.295	0.595
Blue	0.155	0.065

MECHANICAL DATA

PARAMETER	VALUE
Mass including deflection unit	≈17.0 kg
Base	JEDEC B10-277
Anode contact	small cavity contact; JEDEC J1-21; IEC 67-III-2
Mounting position	anode contact on top
Implosion protection	mini-P shrink system
Bulb design	
Funnel	EIA/JEDEC F605A
Panel	EIA/JEDEC J601A

Widescreen Standard
colour picture tube

W56ECK001X



- A = 200.0 mm.
- B = 269.48 mm.
- C = 105.0 mm.
- D = 165.91 mm.
- F = 27.89 mm.
- G = 488.08 mm.
- H = 274.54 mm.
- I = 534.4 mm.
- J = 334.0 mm.

Z1 and Z3 are part of plane 'Z'.
Z2 and Z4 have the same distance to 'Z' and lie at the same side of plane 'Z'.

Fig.1 Mechanical reference points.

Widescreen Standard colour picture tube

W56ECK001X

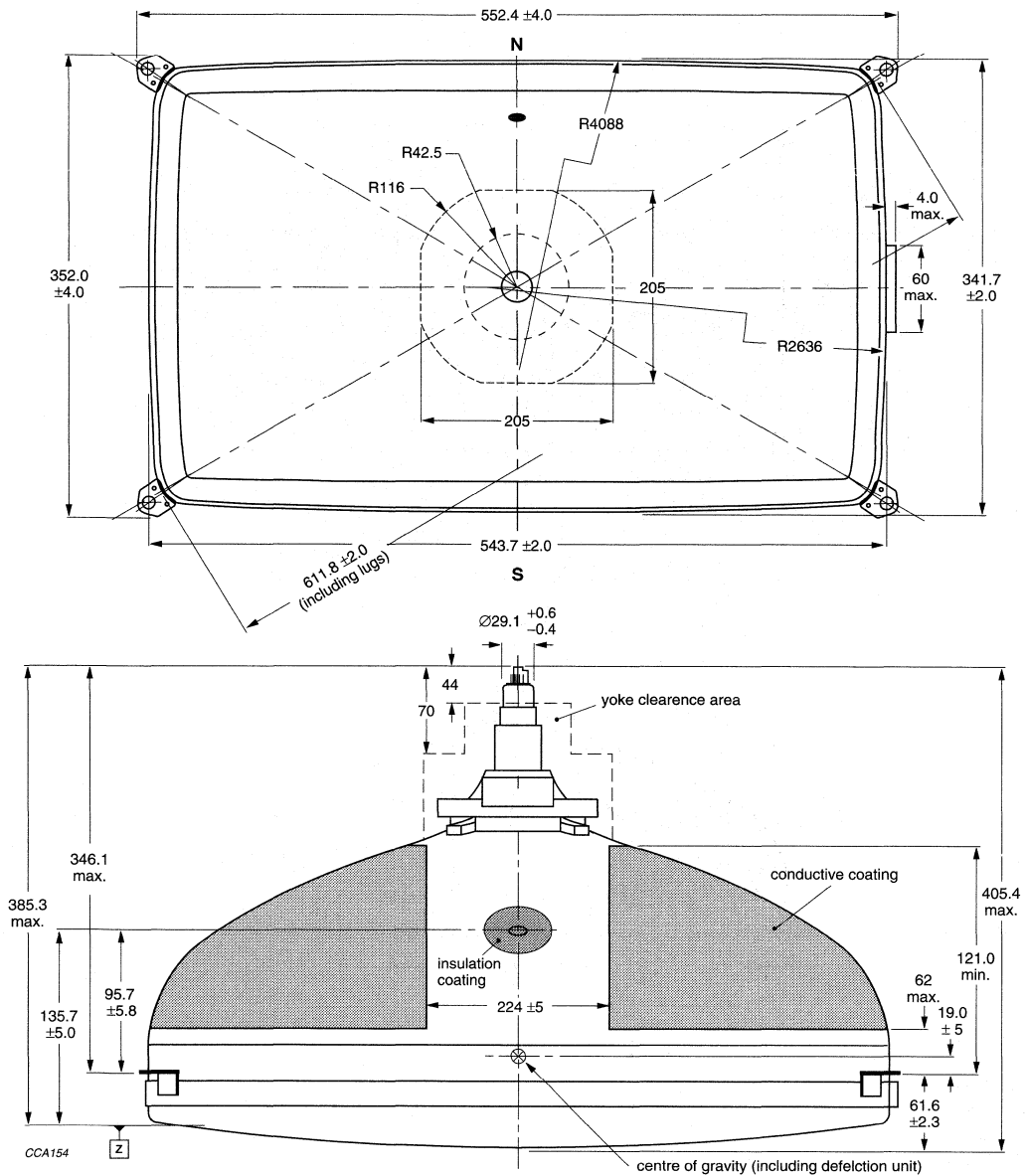
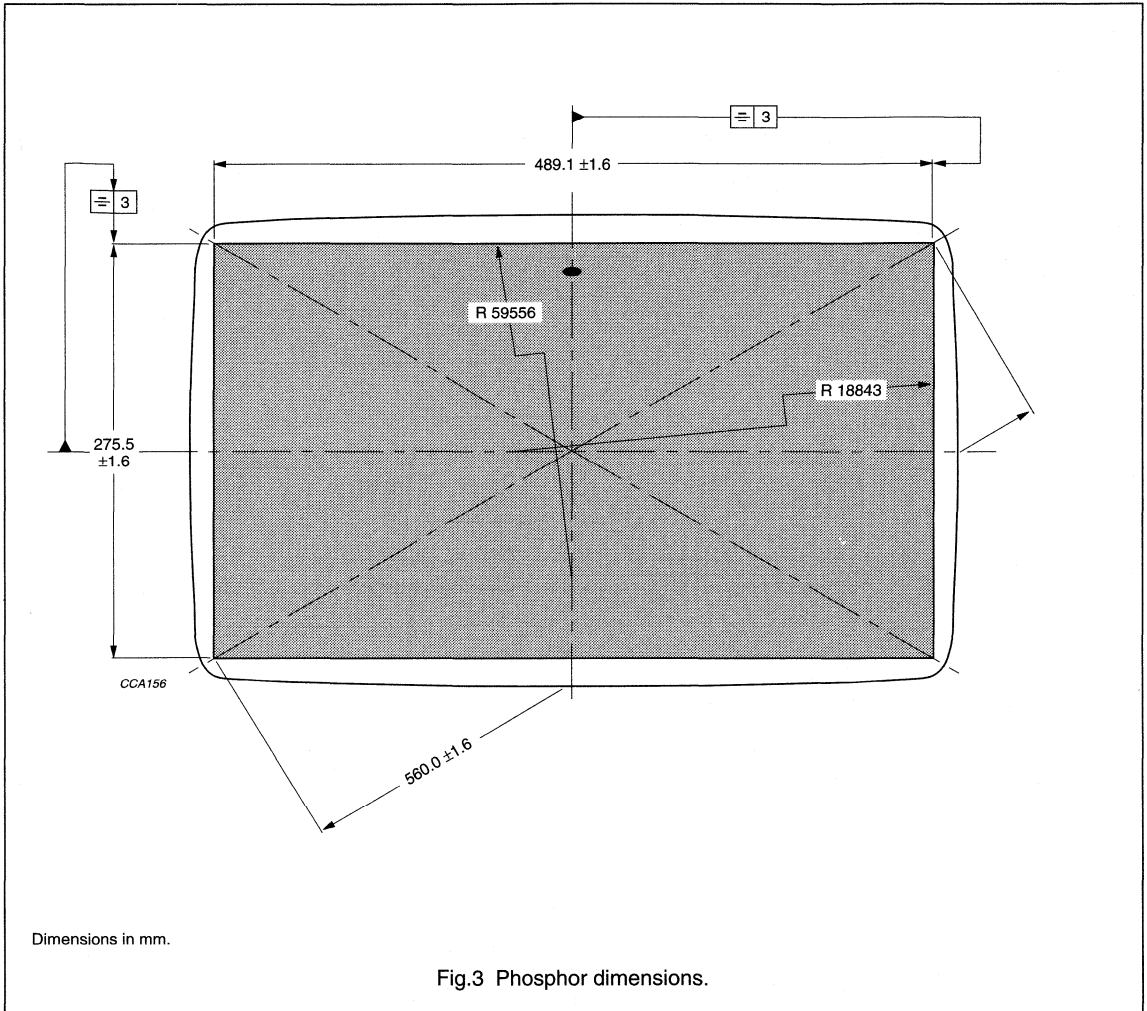


Fig.2 Tube dimensions.

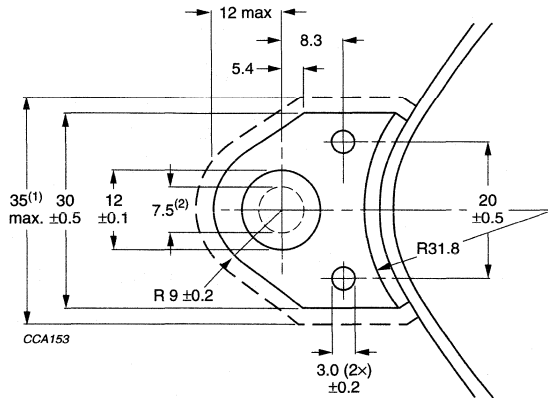
Widescreen Standard
colour picture tube

W56ECK001X



Widescreen Standard
colour picture tube

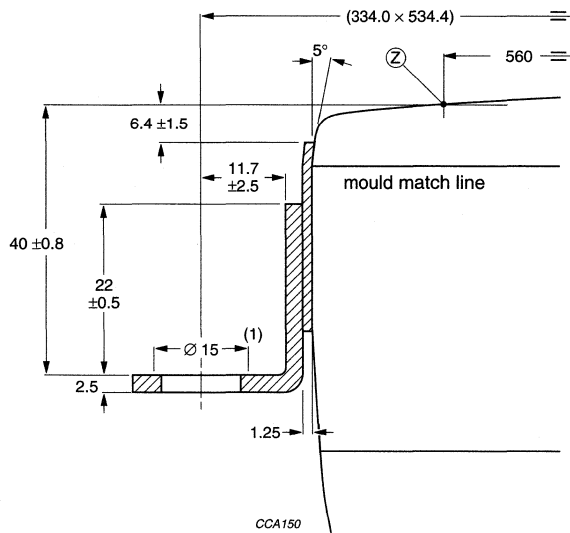
W56ECK001X



Dimensions in mm.

- (1) Minimum space to be reserved for mounting lug in cabinet.
- (2) The position of the mounting screw in the cabinet must be within a circle of 7.5 mm diameter drawn around the true geometrical positions, i.e. the corners of a rectangle of 334 mm x 534.4 mm.

Fig.4 Lug dimensions.



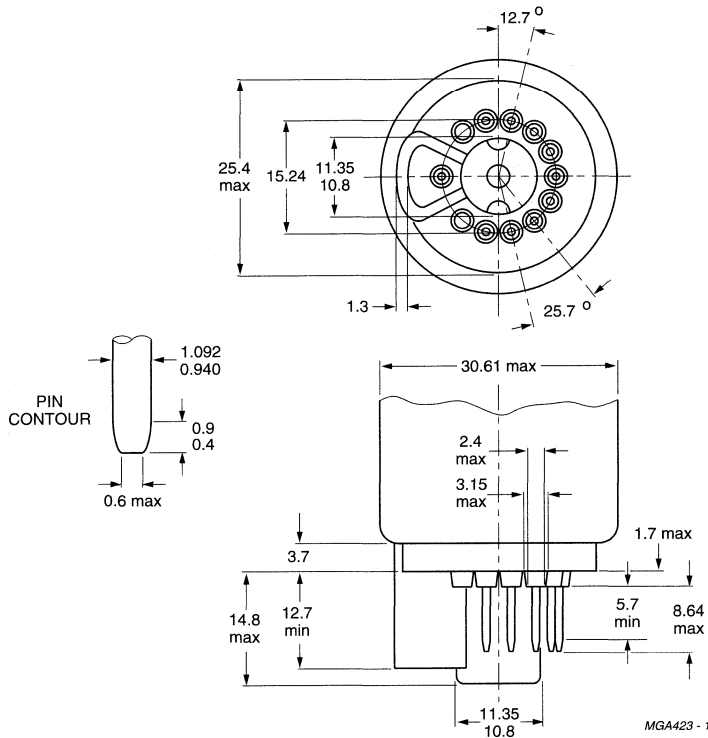
Dimensions in mm.

- (1) Plane of reference for 'Z' to lug distance.

Fig.5 Lug position.

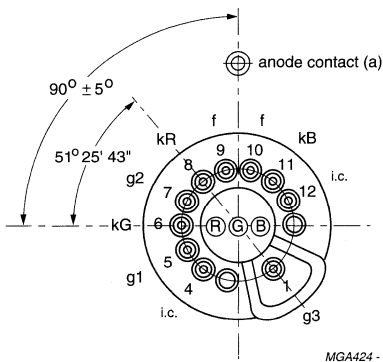
Widescreen Standard
colour picture tube

W56ECK001X



Dimensions in mm.

Fig.6 Base JEDEC B10-277.



i.c. = internally connected and not to be used.

Fig.7 Pin arrangement.

Remarks: to Figs 6 and 7.

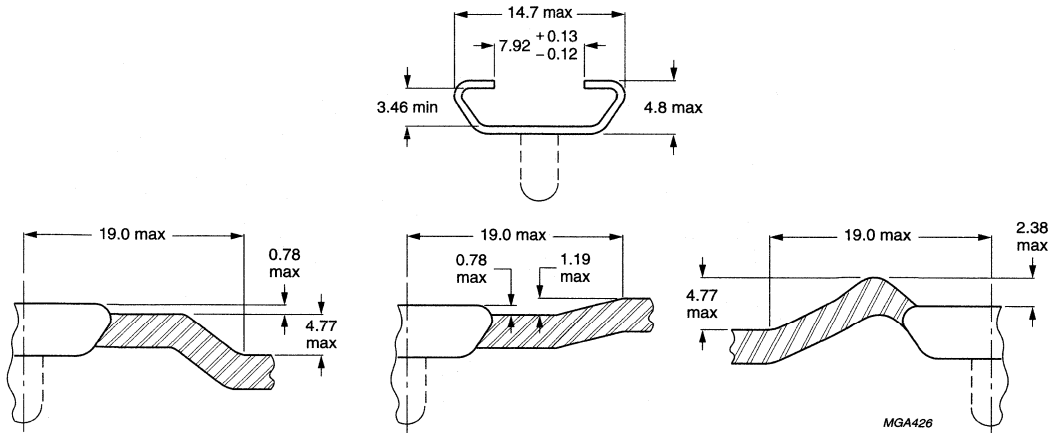
The socket for this base should not be rigidly mounted, it should have flexible leads and be allowed to move freely. After mounting the tube in the cabinet, note that the position of the base can fall within a circle, having a diameter of max. 40 mm concentric with an imaginary tube axis.

The mass of the mounting socket assembly should not exceed 150 g.

Maximum permissible torque on the tube neck is 0.04 Nm.

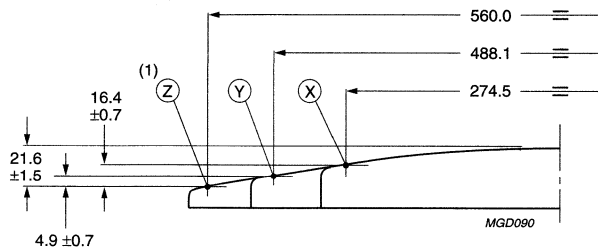
Widescreen Standard
colour picture tube

W56ECK001X



Dimensions in mm.

Fig.8 Cavity cap JEDEC J1-21, IEC 67-III-2.

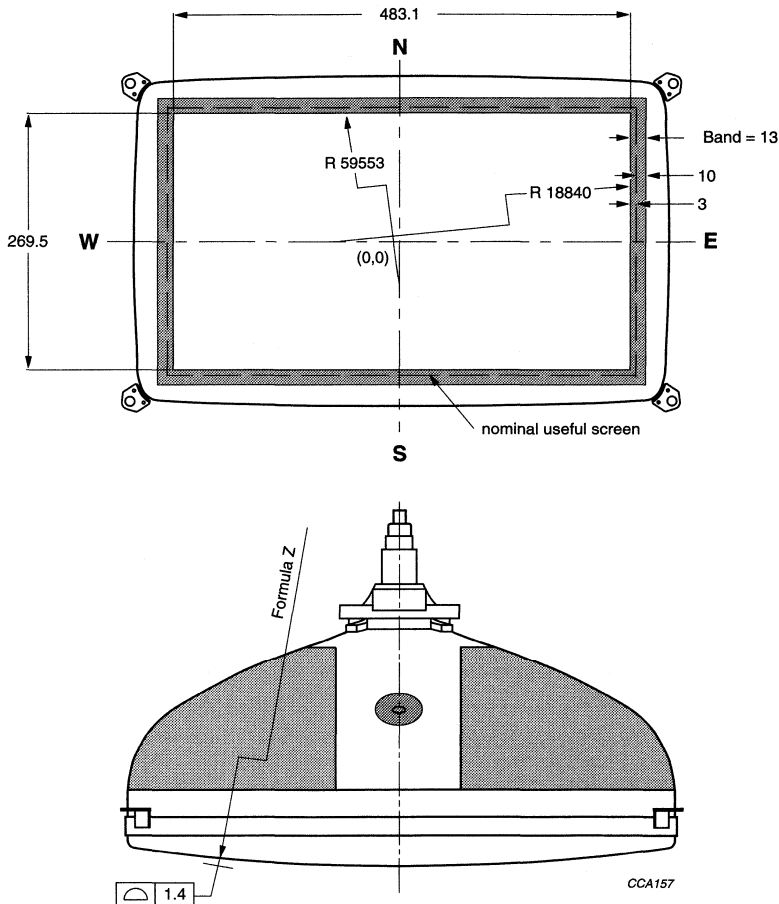


Dimensions in mm.

Fig.9 Screen reference points.

Widescreen Standard
colour picture tube

W56ECK001X



Dimensions in mm.

Nominal sagittal height (mm) of the screen with respect to the screen centre is described by the following formula:

$$Z = \sqrt{2.7987077 \times 10^{-4} \times X^2 + 2.3189520 \times 10^{-11} \times X^4 + 2.7349223 \times 10^{-4} \times Y^2 - 2.6048717 \times 10^{-10} \times X^2 \times Y^2 - 1.1440980 \times 10^{-16} \times X^4 \times Y^2 + 1.7143040 \times 10^{-11} \times Y^4 + 1.3637120 \times 10^{-18} \times X^2 \times Y^4 - 2.2898170 \times 10^{-23} \times X^4 \times Y^4}$$

Fig.10 Bezel contour details.

Widescreen Standard colour picture tube

W56ECK001X

Sagittal heights of the useful screen measured with respect to the end of the diagonal axis

NOMINAL USEFUL SCREEN (NUS)			3 mm INSIDE NUS			10 mm OUTSIDE NUS		
COORDINATES		SAGITTAL HEIGHT (mm)	COORDINATES		SAGITTAL HEIGHT (mm)	COORDINATES		SAGITTAL HEIGHT (mm)
X (mm)	Y (mm)		X (mm)	Y (mm)		X (mm)	Y (mm)	
0.0	0.0	21.6	0.0	0.0	21.0	0.0	0.0	23.7
0.0 ⁽¹⁾	137.8	16.4	0.0	134.8	16.0	0.0	147.8	17.7
20.0	137.8	16.3	20.0	134.8	15.9	20.0	147.8	17.6
40.0	137.8	16.0	40.0	134.8	15.6	40.0	147.8	17.3
60.0	137.7	15.4	60.0	134.7	15.0	60.0	147.7	16.7
80.0	137.7	14.7	80.0	134.7	14.3	80.0	147.7	16.0
100.0	137.7	13.7	100.0	134.7	13.3	100.0	147.7	15.0
120.0	137.7	12.5	120.0	134.7	12.1	120.0	147.7	13.8
140.0	137.6	11.0	140.0	134.6	10.6	140.0	147.6	12.4
160.0	137.6	9.4	160.0	134.6	9.0	160.0	147.6	10.7
180.0	137.5	7.5	180.0	134.5	7.1	180.0	147.5	8.9
200.0	137.4	5.4	200.0	134.4	5.0	200.0	147.4	6.8
220.0	137.4	3.1	220.0	134.4	2.7	220.0	147.4	4.4
240.0	137.3	0.5	240.0	134.3	0.1	240.0	147.3	1.9
244.0 ⁽²⁾	137.3	0.0	241.1	134.3	0.0	254.0	147.2	0.0
244.2	120.0	1.1	241.2	120.0	0.9	254.2	120.0	1.8
244.3	100.0	2.3	241.3	100.0	2.1	254.3	100.0	3.0
244.4	80.0	3.2	241.4	80.0	3.0	254.4	80.0	3.9
244.4	60.0	3.9	241.4	60.0	3.7	254.4	60.0	4.6
244.5	40.0	4.4	241.5	40.0	4.2	254.5	40.0	5.1
244.5	20.0	4.7	241.5	20.0	4.5	254.5	20.0	5.4
244.5 ⁽³⁾	0.0	4.8	241.5	0.0	4.6	254.5	0.0	5.5

Notes

1. End of short axis.
2. End of diagonal axis.
3. End of long axis.

Widescreen Standard colour picture tube

W56ECK001X

Cone contour

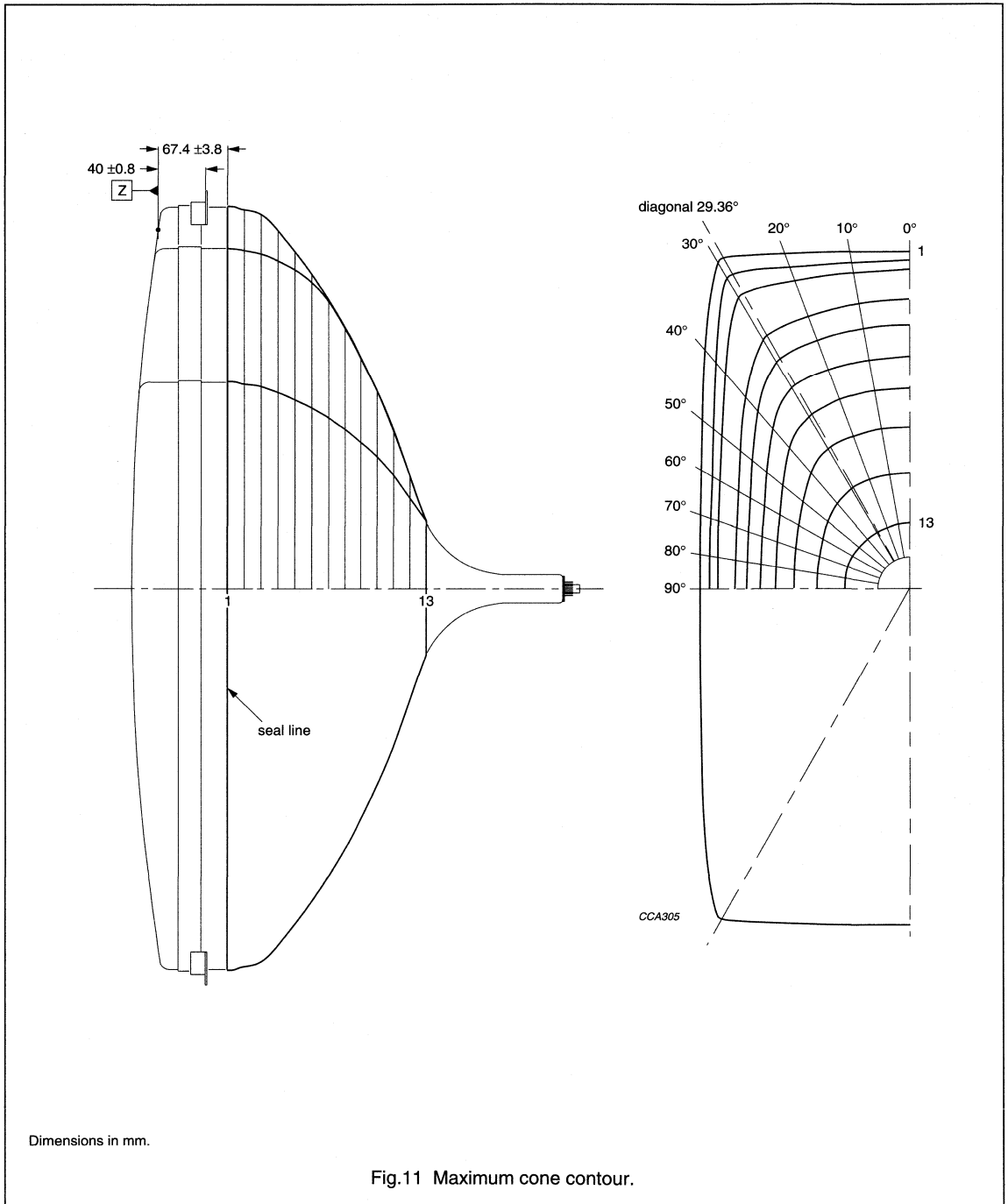


Fig.11 Maximum cone contour.

Widescreen Standard colour picture tube

W56ECK001X

Cone contour data

SECTION	NOMINAL DISTANCE FROM SECTION 1 (mm)	MAXIMUM DISTANCE FROM TUBE AXIS (mm)										
		0°	10°	20°	29.36°	30°	40°	50°	60°	70°	80°	90°
1	0	269.5	273.2	285.0	301.4	301.2	254.7	216.4	192.7	178.2	170.4	167.9
2	10	268.4	272.0	283.4	299.3	299.1	253.4	215.4	191.9	177.5	169.7	167.2
3	20	265.1	268.5	279.3	294.1	293.9	249.9	212.7	189.6	175.5	167.8	165.4
4	30	259.5	262.4	271.3	283.1	282.8	241.8	207.2	185.4	171.9	164.6	162.2
5	40	251.4	253.2	258.8	265.7	265.2	229.0	198.8	179.3	167.0	160.3	158.1
6	50	240.1	241.1	244.3	247.8	247.2	215.7	189.5	172.1	161.0	154.9	152.9
7	60	226.6	227.1	228.5	229.4	228.8	201.9	179.2	163.7	153.8	148.2	146.4
8	70	210.9	211.0	211.3	210.6	210.0	187.2	167.5	153.9	145.1	140.1	138.5
9	80	190.9	191.0	191.2	190.6	190.2	171.1	154.5	142.8	135.1	130.8	129.4
10	90	168.7	168.8	169.0	168.7	168.3	153.1	139.9	130.4	124.1	120.4	119.2
11	100	145.2	145.3	145.5	145.2	144.9	134.7	124.7	117.5	112.5	109.7	108.7
12	110	119.9	119.9	120.1	119.9	119.7	114.2	108.2	103.6	100.3	98.5	97.8
13	120	92.9	92.8	92.6	92.1	92.1	90.3	88.6	87.3	86.4	85.8	85.6

HANDLING

The packaging provides protection against tube damage under normal conditions of shipment or handling. Observe any instructions given on the packaging and handle accordingly. Under no circumstances should the tube assembly be subjected to accelerations greater than the values given in Table "Acceleration limits".

Acceleration limits

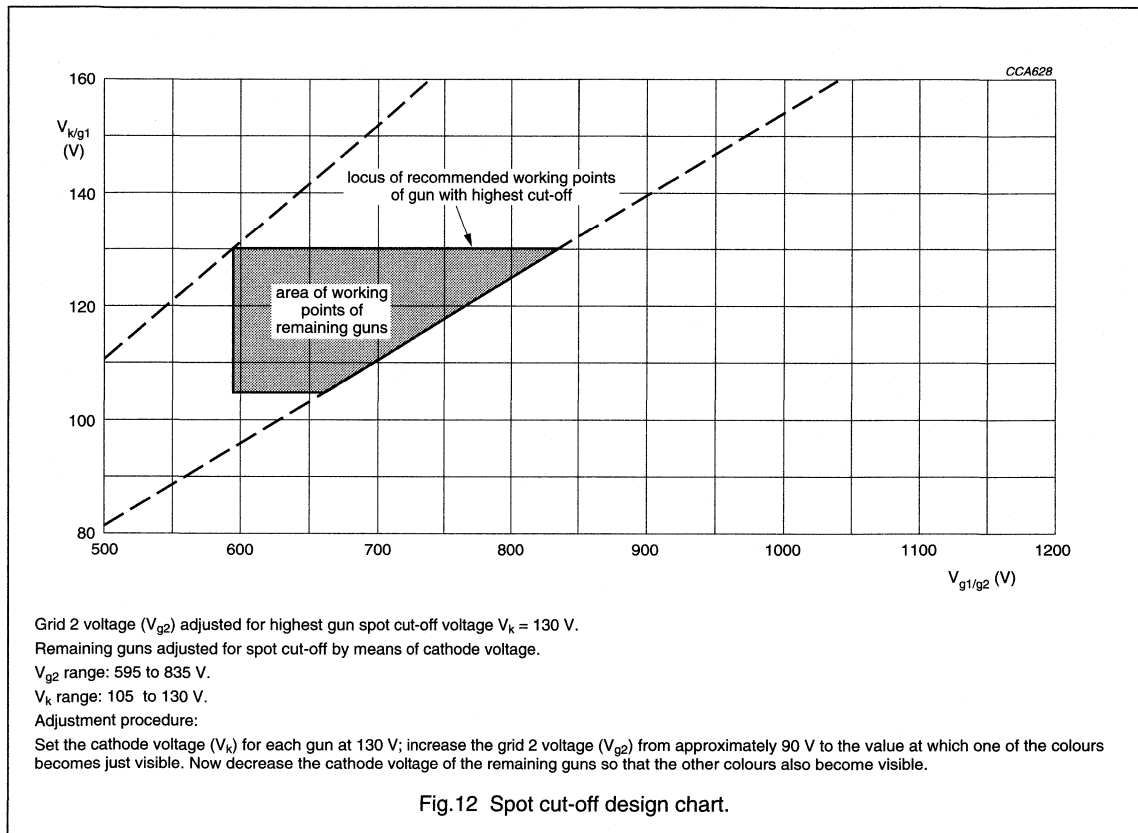
PARAMETER	PULSE DURATION	MAX.	UNIT
Acceleration in cone direction	≤10 ms	350	m/s ²
	>10 ms	350	m/s ²
Acceleration in all other directions		350	m/s ²

Widescreen Standard colour picture tube

W56ECK001X

TYPICAL OPERATING CONDITIONS

SYMBOL	PARAMETER	CONDITION	MIN.	TYP.	MAX.	UNIT
V_a	anode voltage	full screen load	—	25	—	kV
V_{g3}	grid 3 (focus electrode) voltage	screen centre	5.9	6.4	6.9	kV
V_{g2}	grid 2 voltage		see Fig.12			
V_f	heater voltage	tube operating	5.7	6.15	6.6	V



**Widescreen Standard
colour picture tube**

W56ECK001X

CHASSIS DESIGN VALUES

The values are valid for anode voltages between 20 and 27.5 kV. The voltages are specified with respect to grid 1. For optimum picture performance it is recommended that the cathodes are not driven below +1 V.

SYMBOL	PARAMETER	CONDITIONS	MIN.	TYP.	MAX.	UNIT
V_{g3}	grid 3 (focus electrode) voltage as a percentage of anode voltage		23.4	–	27.4	%
V_{g2}	grid 2 voltage	for visual extinction of focusing spot	see Fig.12			
V_k	cathode voltage		see Figs 12 and 13			
ΔV_k	difference in cut-off voltage between guns in any tube		lowest value >80% of highest value			
V_f	heater voltage	tube operating	–	6.15	–	V
I_{g3}	grid 3 (focus electrode) current		–2.0	–	+2.0	μA
I_{g2}	grid 2 current		–2.0	–	+2.0	μA
I_{g1}	grid 1 current	under cut-off conditions	–2.0	–	+2.0	μA
I_{kt}	cathode/heater current		–2.0	–	+2.0	μA
R_{ins}	insulation resistance between each cathode and all other electrodes and heater		50	–	–	M Ω

Anode currents to produce white of 6500 K + 7 MPCD (CIE coordinates x = 0.313; y = 0.329)

PERCENTAGE OF THE TOTAL ANODE CURRENT SUPPLIED BY EACH GUN

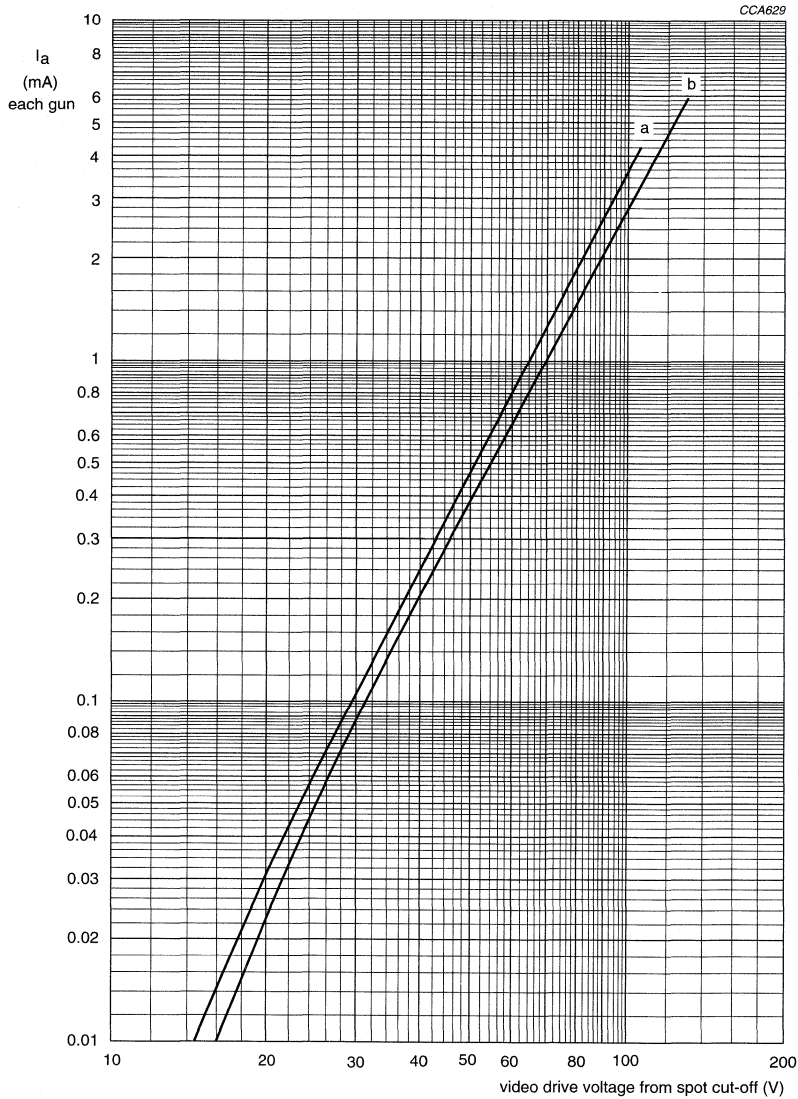
	red gun		–	41.3	–	%
	green gun		–	34.4	–	%
	blue gun		–	24.3	–	%

RATIO OF ANODE CURRENTS

	red gun to green gun		0.85	1.20	1.55	
	red gun to blue gun		1.20	1.70	2.20	
	blue gun to green gun		0.40	0.70	1.00	

Widescreen Standard colour picture tube

W56ECK001X



$V_f = 6.15$ V.

$V_a = 25$ kV.

V_{g3} adjusted for focus.

V_{g2} (each gun) adjusted to provide spot cut-off for $V_k = 105$ V (curve a) and $V_k = 130$ V (curve b).

Fig.13 Typical cathode drive characteristics.

Widescreen Standard colour picture tube

W56ECK001X

LIMITING VALUES

In accordance with the Absolute Maximum Rating System (IEC 134). Voltages are specified with respect to grid 1.

SYMBOL	PARAMETER	CONDITIONS	MIN.	MAX.	UNIT
V_a	anode voltage	notes 1 and 2	20	30	kV
I_a	long-term average anode current for three guns		–	1000	μ A
	short-term average anode current for three guns		–	1300	μ A
V_{g3}	focus voltage	note 3	–	11	kV
V_{g2}	grid 2 voltage	note 4	–	1500	V
V_f	heater voltage	note 5	5.7	6.6	V
Cathode voltage					
V_k	positive		–	250	V
V_k	during switch-off		–	250	V
V_k	positive operating cut-off		–	200	V
V_k	negative		–	0	V
V_{kp}	negative peak		–	–2	V
Cathode to heater voltage					
V_{kf}	positive		–	250	V
V_{kfp}	positive peak		–	300	V
V_{kf}	negative		–	0	V
V_{kfp}	negative peak		–	–50	V
Circuit limiting values					
R_{g3}	grid 3 circuit resistance		–	50	M Ω
R_{g2}	grid 2 circuit resistance		–	50	M Ω
R_{g1-k}	grid 1 to cathode circuit resistance		–	750	k Ω

Notes

1. During adjustment on the production line this value is likely to be surpassed considerably. It is therefore strongly recommended to first make the necessary adjustments for normal operation without the picture tube.
2. Operation of the tube at lower voltages impairs the luminance and resolution and could impair convergence.
3. During flash-over maximum 20 kV is allowed (see Chapter "Flashover protection").
4. During adjustment on the production line a maximum value of 1800 V is allowed.
5. For maximum cathode life and optimum performance it is recommended that the heater supply is designed for 6.15 V at average beam current, for most applications this equals 6.3 V at zero beam current.

Widescreen Standard colour picture tube

W56ECK001X

FLASHOVER PROTECTION

With the high voltage used with this tube (max. 30 kV) internal flashovers may occur. As a result of Soft-Flash technology these flashover currents are limited to approximately 100 A offering higher reliability, optimum circuit protection and component savings.

Primary protective circuitry using properly grounded spark gaps and series isolation resistors (preferably carbon composition) is still necessary to prevent tube damage.

The spark gaps should be connected to all picture tube electrodes at the socket in accordance with Fig.14; they are not required on the heater pins. No other connections between the outer conductive coating and the chassis are permissible. The spark gaps should be designed for a breakdown voltage of less than 20 kV at the focus electrode (g3) and less than 2 kV at the other electrodes, both at an atmospheric pressure of 100 kPa.

The values of the series isolation resistors should be as high as possible (min. 0.5 kΩ) without causing deterioration of the circuit performance. The resistors should be able to withstand an instantaneous surge of 20 kV for the focusing circuit and 12 kV for the remaining circuits without arcing.

To guarantee the soft flash behaviour, the internal dynamic resistance of the tube during flashover is a minimum 400 Ω and a maximum 800 Ω.

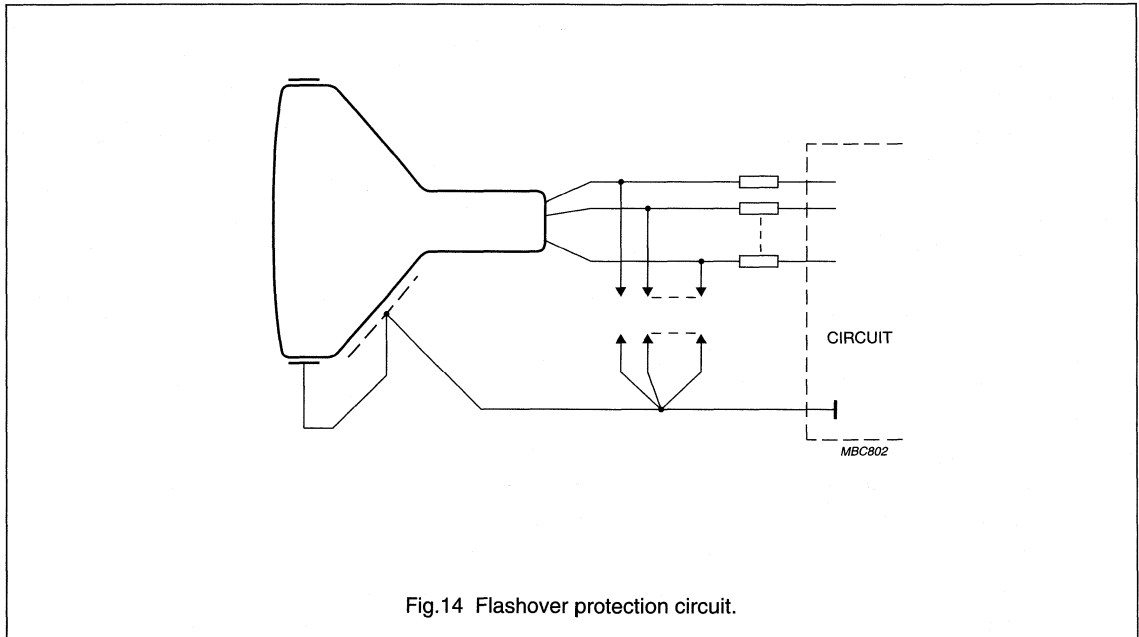


Fig.14 Flashover protection circuit.

Widescreen Standard colour picture tube

W56ECK001X

X-RADIATION

Maximum anode voltage at which the X-radiation emitted will not exceed 0.5 mR/h at an anode current of 300 μ A.

PARAMETER	VALUE
Entire tube; note 1	37.4 kV
Face-plate only	37.4 kV

Note

1. This rating applies only if the anode connector used by the set maker provides the necessary attenuation to reduce the X-radiation from the anode contact by a factor equal to the difference between the anode button iso-exposure-rate limit curve and the iso-exposure-rate limit curve for the entire tube.

WARNING

If the value for the tube face only is used as design criteria, adequate shielding must be provided in the TV receiver for the anode contact and/or certain portions of the tube funnel and panel sidewalls to ensure that the X-radiation from the TV receiver is attenuated to a value equal to or lower than that specified for the face of the tube.

The X-radiation emitted from this picture tube, as measured in accordance with the procedure of "JEDEC Publications No.64D" will not exceed 0.5 mR/h throughout the useful life of the tube when operated within the design-maximum ratings.

The tube should not be operated beyond its design-maximum ratings stated above, but its X-radiation will not exceed 0.5 mR/h for anode voltage and current combinations given by the iso-exposure-rate limit characteristics as shown in Fig.16.

Operation above the values shown by the curve may result in failure of the TV receiver to comply with the "Federal Performance Standard of the U.S. for Television Receivers, Section 1020.10 of Part 1020 of Title 21, Code of Federal Regulation".

Maximum X-radiation as a function of anode voltage at 300 μ A current is shown by Fig.15. X-radiation at a constant anode voltage varies linearly with anode current.

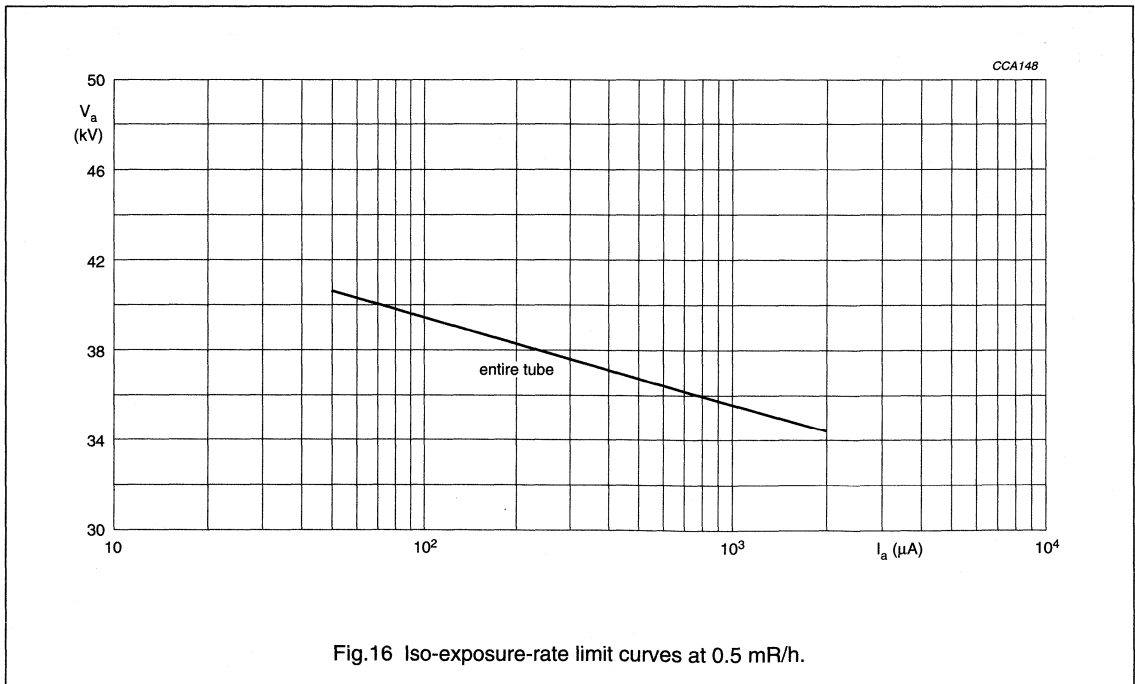
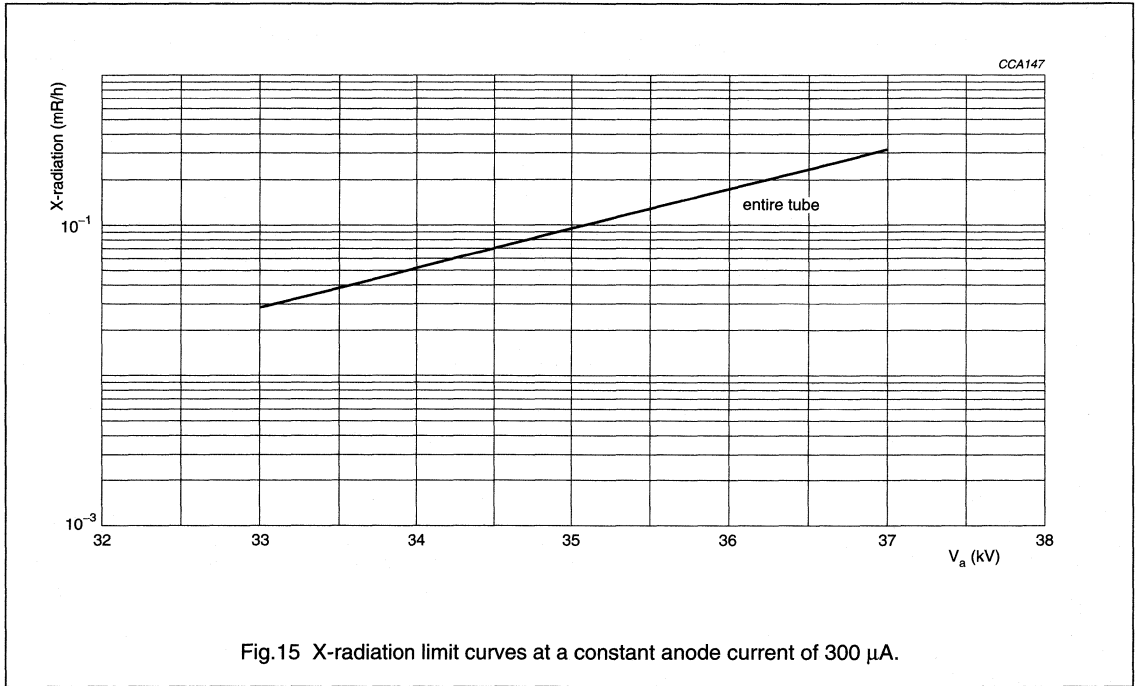
WARNING

The cathode ray tube is intrinsically safe in accordance with "Appendix III Röntgenverordnung".

Eigensichere Kathodenstrahlröhre nach "Anlage III Röntgenverordnung".

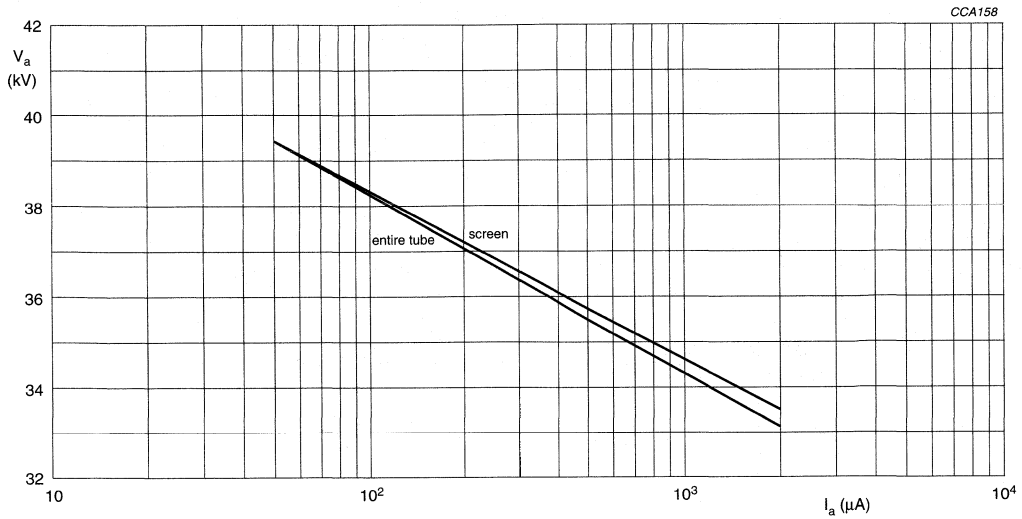
Widescreen Standard colour picture tube

W56ECK001X



Widescreen Standard colour picture tube

W56ECK001X



The tube does not emit X-radiation above 1 $\mu Sv/h$ when operated at 33 kV and 1.8 mA. The X-radiation emitted will also not exceed 1 $\mu Sv/h$ for anode voltage and current combinations shown in the iso-exposure-rate limit curve.

Fig.17 1 $\mu Sv/h$ iso-exposure-rate limit curve.

MAGNETIC FIELD CONDITIONS

This tube is designed for world wide use.

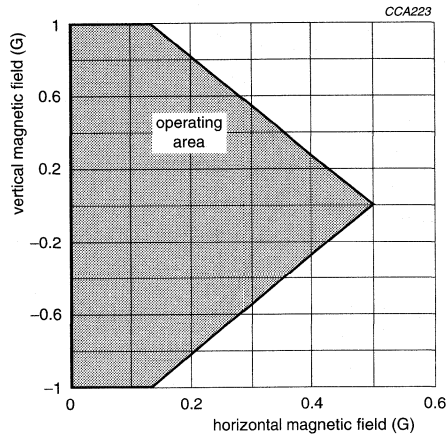


Fig.18 Allowable horizontal and vertical magnetic fields operation area.

Widescreen Standard colour picture tube

W56ECK001X

DEGAUSSING

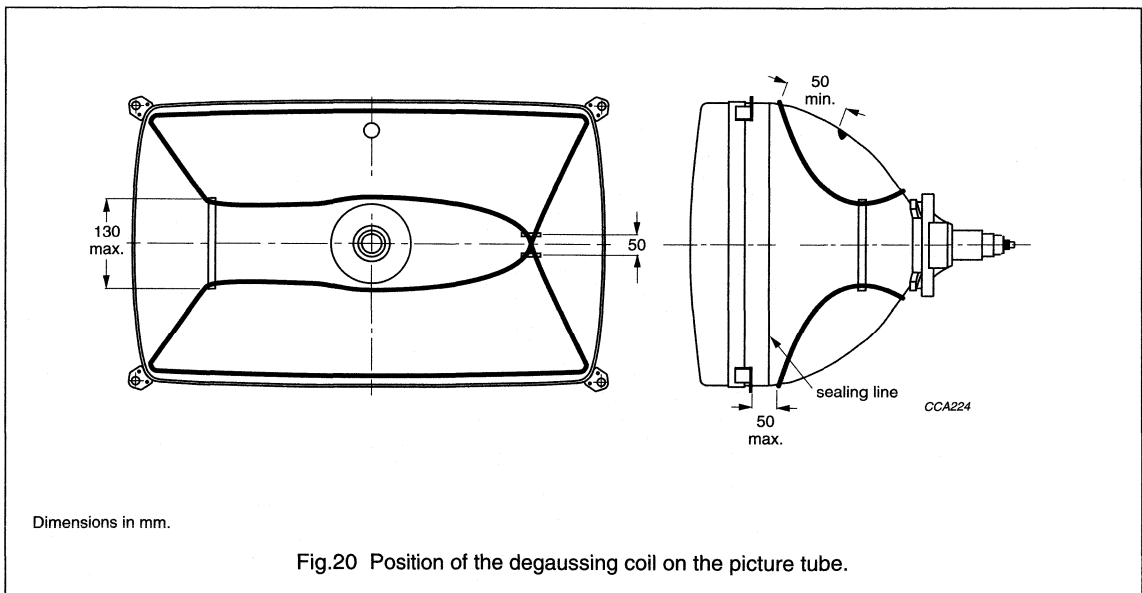
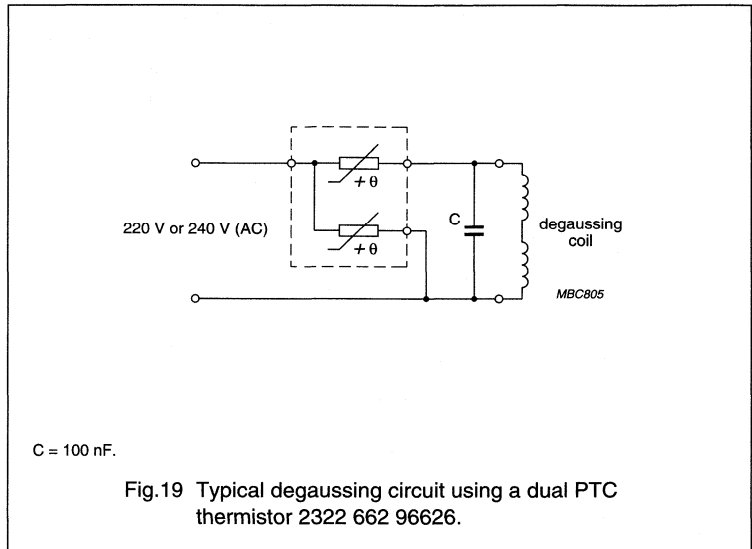
The picture tube is provided with an internal magnetic shield. This shield and the shadow mask with its suspension system should be provided with an automatic degaussing system, consisting of coil(s) covering the top and bottom cone parts.

For proper degaussing an initial magnetomotive force (MMF) of 400 ampere-turns is required in each coil. This MMF must be gradually decreased (maximum 25% per half period) by appropriate circuitry. To prevent beam landing disturbance by line frequency currents induced in the degaussing coils, these coils should be shunted by a capacitor of sufficiently high value. In steady state, no significant MMF should remain in the coils (≤ 0.15 ampere-turns).

If single-phase power rectification is employed in the TV circuitry, provision should be included to prevent asymmetric distortion of the AC voltage applied to the degaussing circuit due to high DC inrush currents.

Data of degaussing coils

PARAMETER	TYP.	UNIT
Circumference	≈ 255	cm
Number of turns	81	
Copper wire diameter	0.355	mm
Resistance	37	Ω



**Widescreen Standard
colour picture tube assembly****W56ECK001X03****FEATURES**

- 50 Hz vertical repetition
- Factory preset tube/coil assembly
- Self-converging and north-south raster correction free
- 56 cm, 106° colour picture tube W56ECK001X
- Double mussel deflection unit.

QUICK REFERENCE DATA

PARAMETER	TYP.	UNIT
Deflection angle	106	deg
Nominal useful screen diagonal	56	cm
Overall length	<40.6	cm
Glass transmission	47.8	%
Neck diameter	29.1	mm
Anode voltage	25	kV

Widescreen Standard colour picture tube assembly

W56ECK001X03

DEFLECTION UNIT DATA

All measurements are performed at a horizontal frequency of 16 kHz.

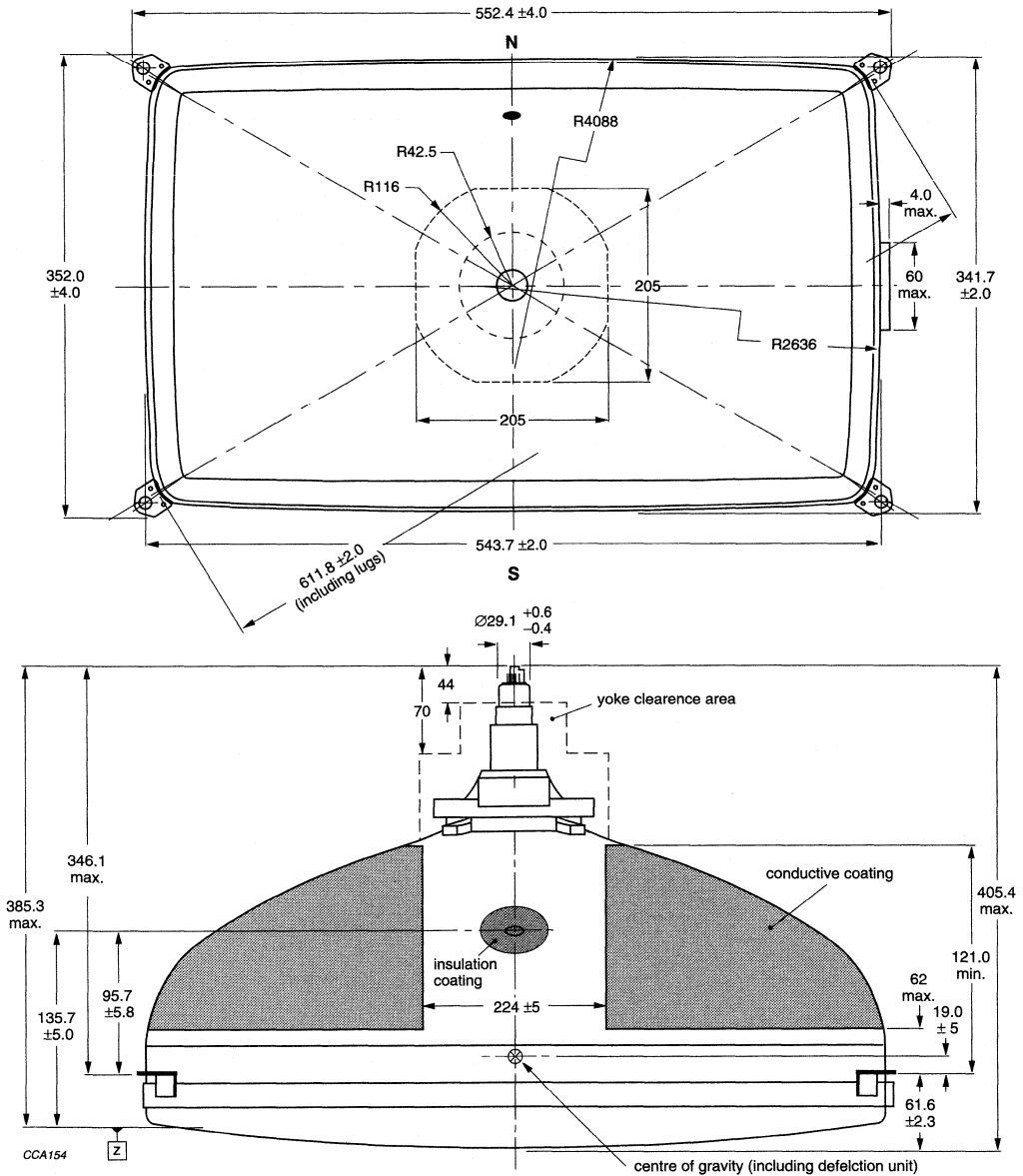
PARAMETER	CONDITIONS	MIN.	TYP.	MAX.	UNIT
Horizontal deflection coils					
Inductance		1.23	1.29	1.35	mH
Resistance	$T_{amb} = 25\text{ }^{\circ}\text{C}$	1.29	1.36	1.43	Ω
Magnetic flux		6.14	6.47	6.79	mWb
Deflection current (peak-to-peak value)	edge-to-edge; $V_a = 25\text{ kV}$	–	5.01	–	A
Average copper temperature	note 1	–	–	110	$^{\circ}\text{C}$
Temperature rise (ΔT)	$V_a = 25\text{ kV};$ $I_a = \text{short term average value}$	–	45	–	$^{\circ}\text{C}$
Vertical deflection coils					
Inductance		7.90	8.32	8.74	mH
Resistance	$T_{amb} = 25\text{ }^{\circ}\text{C}$	6.70	7.05	7.40	Ω
Vertical voltage		8.93	9.40	9.87	V
Deflection current (peak-to-peak value)	edge-to-edge; $V_a = 25\text{ kV}$	–	1.33	–	A
Average copper temperature	note 1	–	–	110	$^{\circ}\text{C}$
Temperature rise (ΔT)	$V_a = 25\text{ kV};$ $I_a = \text{short term average value}$	–	30	–	$^{\circ}\text{C}$
Deflection unit					
Permissible DC voltage					
between horizontal and vertical coils		–	–	2000	V
between horizontal and yoke ring		–	–	2000	V
between vertical coils and yoke ring		–	–	300	V
Insulation resistance	1 kV (DC)				
between horizontal and vertical coils		500	–	–	M Ω
between horizontal coil and yoke ring		500	–	–	M Ω
between vertical coil and yoke ring		10	–	–	M Ω
Cross-talk from horizontal to vertical coils	1 V; 500 Hz applied to the horizontal deflection coils	–	–	20	mV

Note

1. Measured by the resistance method.

Widescreen Standard colour picture tube assembly

W56ECK001X03

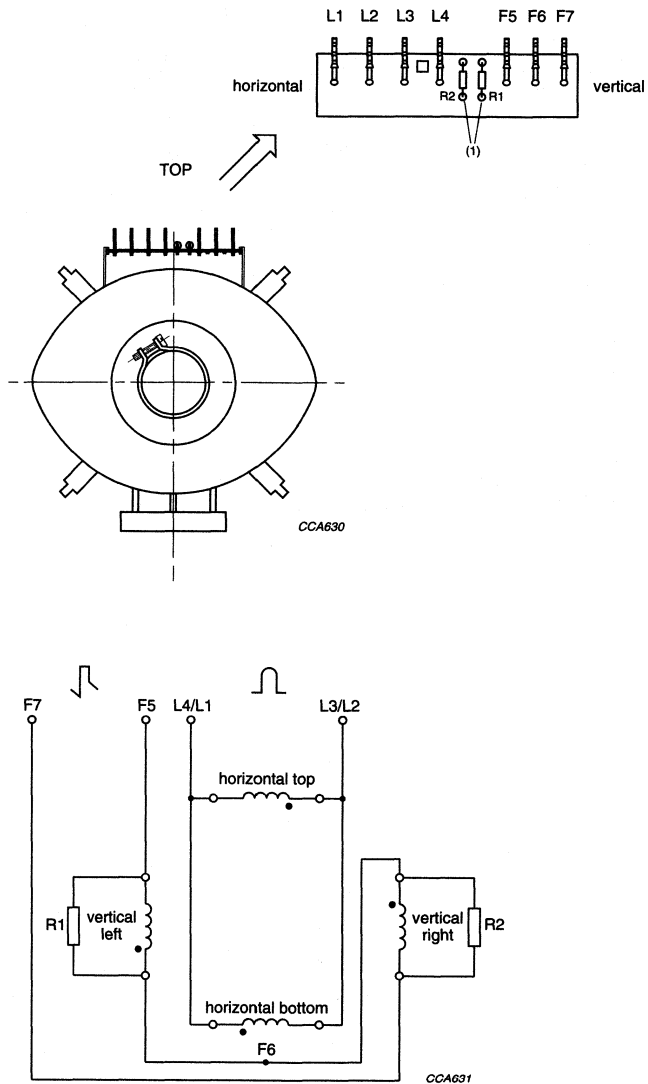


Dimensions in mm.

Fig.1 Assembly dimensions.

Widescreen Standard
colour picture tube assembly

W56ECK001X03



The beginning of the windings is indicated with •

(1) Main connector: Stocko series MKS 2820; matching socket connector Stocko series MKF 2800.

(2) R1 = R2 = 100 Ω, 0.25 W.

Fig.2 W56ECK001X03 deflection coils.

'Black Line WSF' colour picture tube

W56ESF002X

FEATURES

- 'Super flat' screen
- Screen contour F52
- 16 : 9 screen ratio
- BLACK MATRIX technology
- High contrast
- High gloss, low transmission screen
- In-line, CFL (Composed Field Lens), ART (Aberration Reducing Triode) gun with quadrupole cathode lens
- Invar Plus mask with corner suspension
- Cd-free phosphors
 - Pigmented deep red
 - Sulphide green
 - Pigmented sulphide blue
- Quick-heating low-power impregnated cathodes
- Soft-flash
- Slotted shadow mask optimized for minimum moiré at 525 and 625 line systems
- Internal magnetic shield
- World wide application
- Internal multipole
- Rimband type mini-P
- N/S raster correction free.

QUICK REFERENCE DATA

PARAMETER	TYP.	UNIT
Deflection angle	106	deg
Nominal useful screen diagonal	56	cm
Overall length	<40.6	cm
Glass transmission	42.7	%
Neck diameter	29.1	mm
Heater voltage	6.15	V
Heater current	315	mA
Anode voltage	29.5	kV
Focus voltage	25% of anode voltage	

Black Line WSF

'Black Line WSF'
colour picture tube

W56ESF002X

ELECTRICAL DATA

SYMBOL	PARAMETER	MIN.	TYP.	MAX.	UNIT
Capacitances					
$C_{a(m+m')}$	anode to external conductive coating, including rimband	1820	1900	1980	pF
$C_{am'}$	anode to metal rimband	235	250	265	pF
$C_k (R + G + B)$	cathodes of all guns (connected in parallel) to all other electrodes	–	–	15	pF
C_{kR}, C_{kG}, C_{kB}	cathode of any gun to all other electrodes	–	3.6	–	pF
C_{g1}	grid 1 to all other electrodes	–	22	–	pF
C_{g3}	grid 3 (focus electrode) to all other electrodes	–	7	–	pF
Heating, indirect by AC (preferably mains or line frequency) or DC					
V_f	heater voltage	–	6.15	–	V
I_f	heater current	–	315	–	mA
Resistance					
R_{rim}	between rimband and external conductive coating	50	–	–	MΩ

ELECTRO-OPTICAL DATA

PARAMETER	VALUE
Electron gun system	unitized in-line
Focus method	electrostatic
Main lens	CFL (Composed Field Lens)
Convergence method	self converging
Deflection angles	
diagonal	106°
horizontal	97°
vertical	62°

'Black Line WSF'
colour picture tube

W56ESF002X

OPTICAL DATA

PARAMETER	VALUE
Screen	vertical matrix and phosphor stripes
Matrix	black opaque material; PVP technology
Screen finish	high gloss
Nominal useful screen dimensions	
diagonal	560.0 mm
horizontal axis	489.1 mm
vertical axis	275.5 mm
area	≈1345 cm ²
Phosphors	
red	pigmented europium activated rare earth
green	Cd-free sulphide type
blue	pigmented sulphide type
Persistence	medium short
Centre-to-centre distance of identical colour phosphor stripes (at screen centre)	≈0.75 mm
Light transmission of face glass at centre of screen	42.7% ±2.2%
Intrinsic luminance (L) at screen centre; at 29.5 kV; note 1	72.5 cd/m ²

Note

1. Tube settings adjusted to produce white D ($x = 0.313$, $y = 0.329$), focused raster, current density 0.4 $\mu\text{A}/\text{cm}^2$.

Colour coordinates

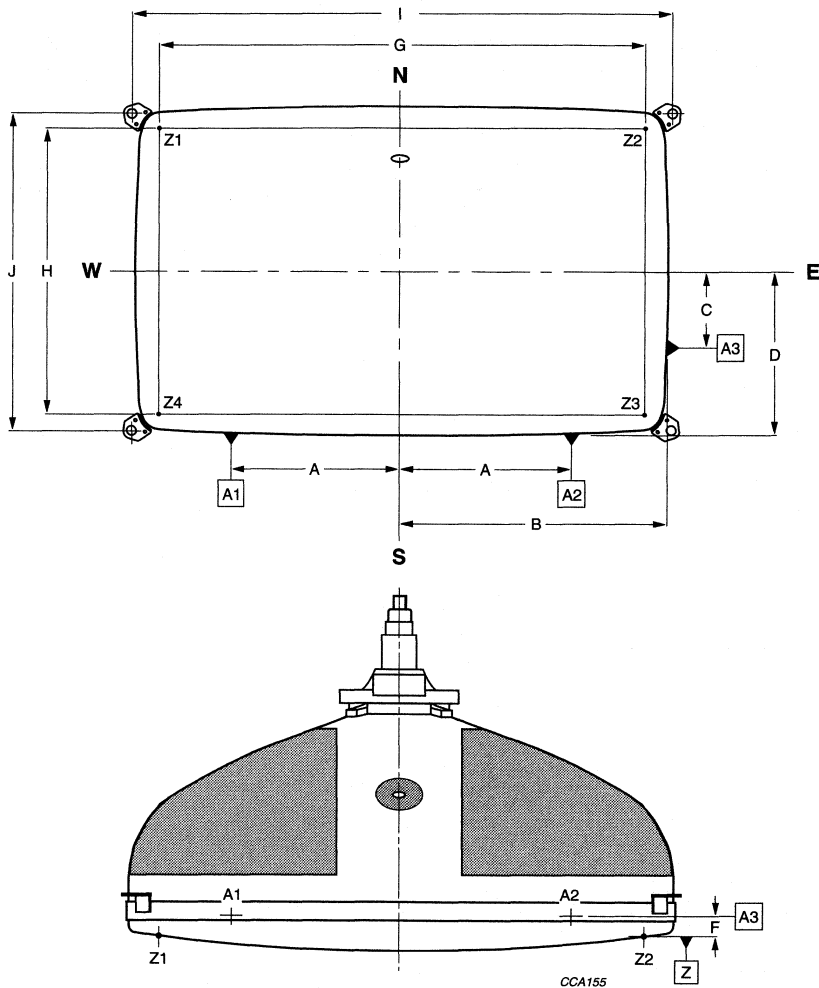
COLOUR COORDINATE	x	y
Red	0.630	0.330
Green	0.295	0.595
Blue	0.155	0.065

MECHANICAL DATA

PARAMETER	VALUE
Mass including deflection unit	≈17.0 kg
Base	JEDEC B10-277
Anode contact	small cavity contact; JEDEC J1-21; IEC 67-III-2
Mounting position	anode contact on top
Implosion protection	mini-P shrink system
Bulb design	
Funnel	EIA/JEDEC F605A
Panel	EIA/JEDEC J601A

'Black Line WSF'
colour picture tube

W56ESF002X



- A = 200.0 mm.
- B = 269.48 mm.
- C = 105.0 mm.
- D = 165.91 mm.
- F = 27.89 mm.
- G = 488.08 mm.
- H = 274.54 mm.
- I = 534.4 mm.
- J = 334.0 mm.

Z1 and Z3 are part of plane 'Z'.
Z2 and Z4 have the same distance to 'Z' and lie at the same side of plane 'Z'.

Fig.1 Mechanical reference points.

'Black Line WSF'
colour picture tube

W56ESF002X

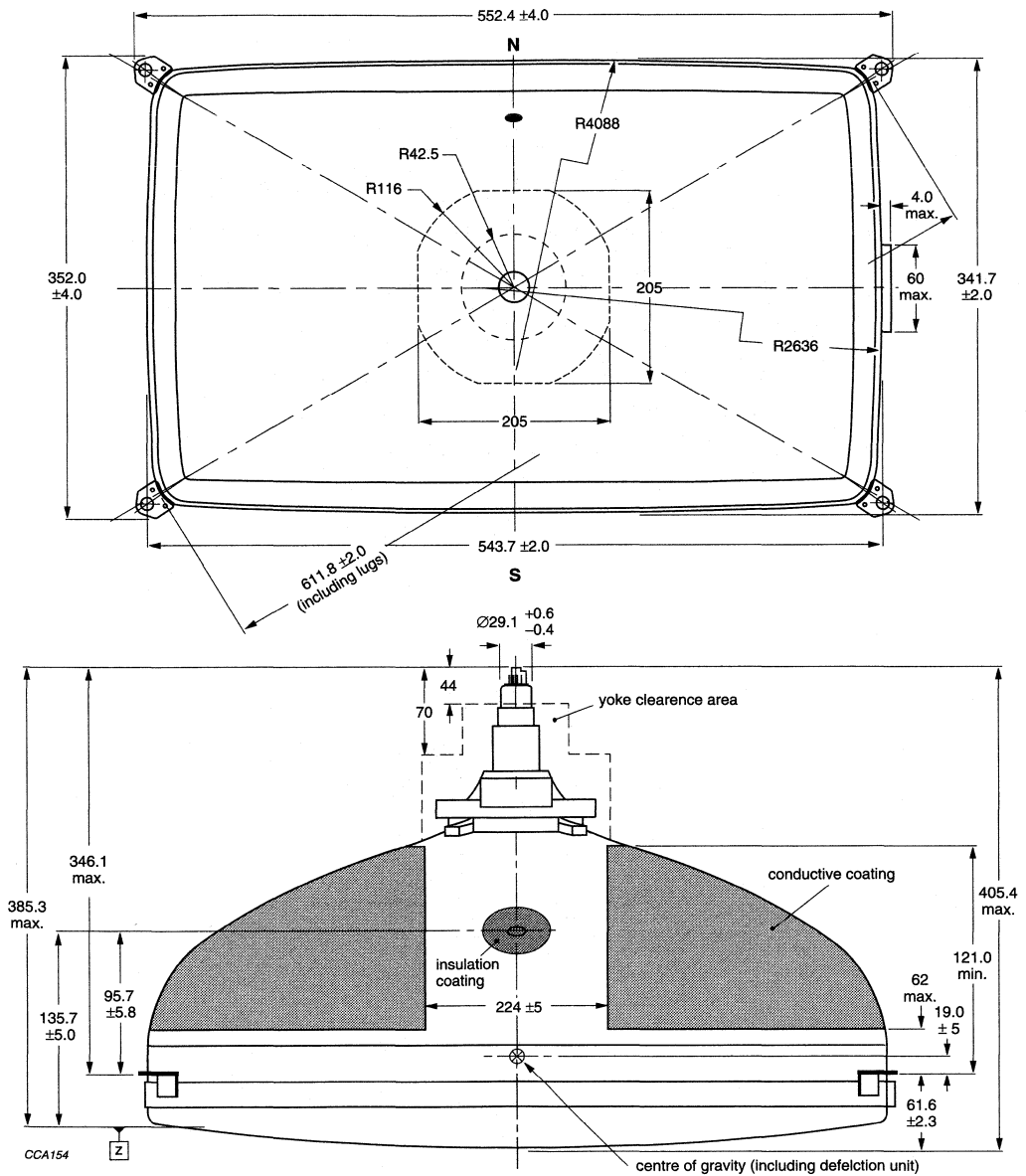
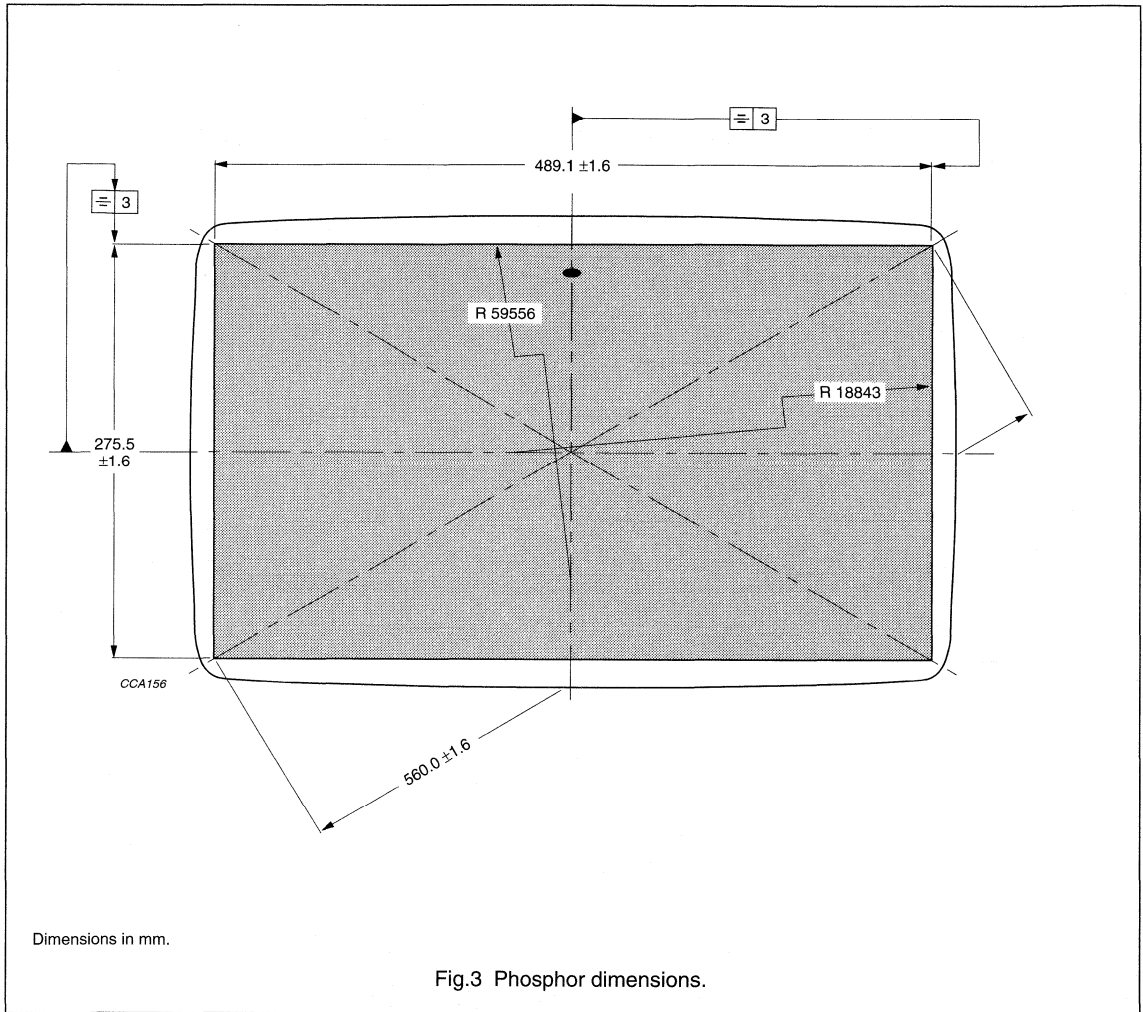


Fig.2 Tube dimensions.

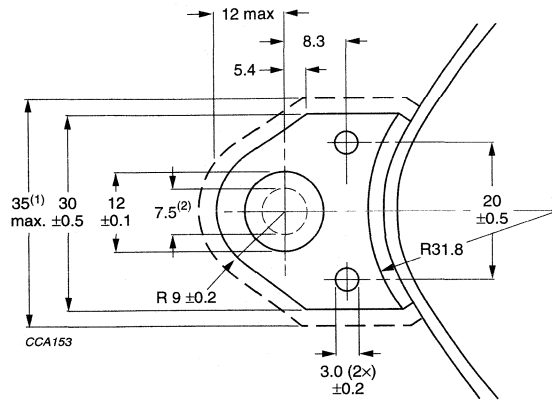
'Black Line WSF'
colour picture tube

W56ESF002X



'Black Line WSF'
colour picture tube

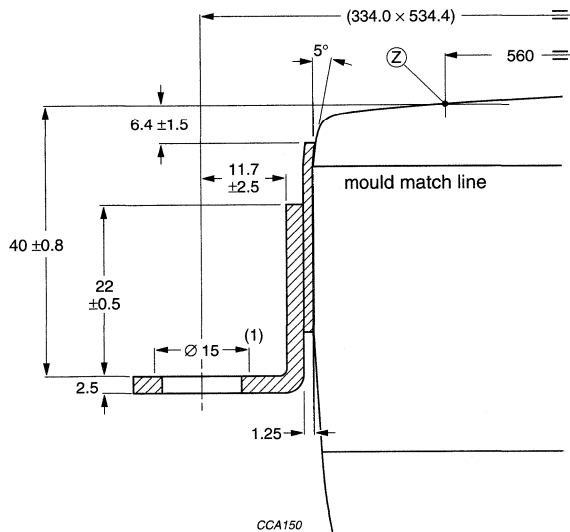
W56ESF002X



Dimensions in mm.

- (1) Minimum space to be reserved for mounting lug in cabinet.
- (2) The position of the mounting screw in the cabinet must be within a circle of 7.5 mm diameter drawn around the true geometrical positions, i.e. the corners of a rectangle of 334 mm × 534.4 mm.

Fig.4 Lug dimensions.



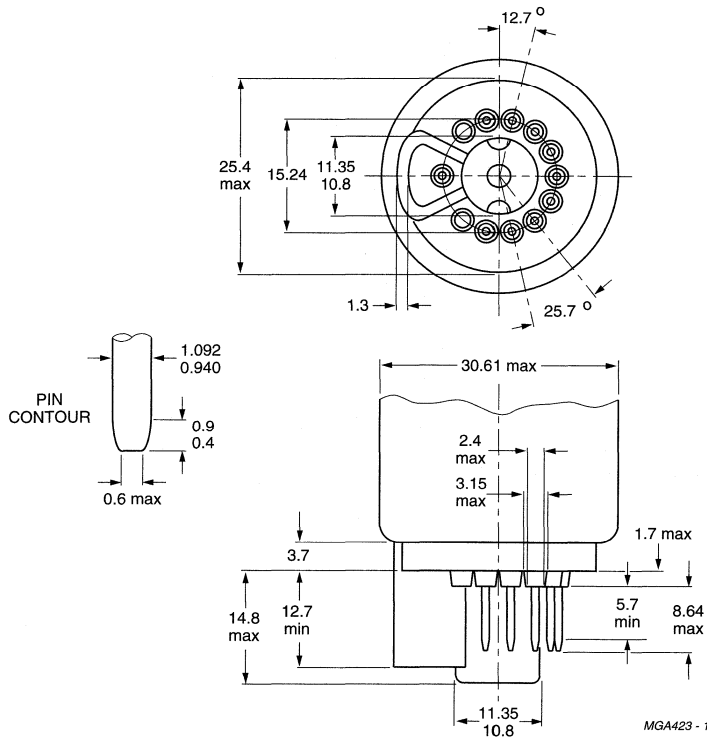
Dimensions in mm.

- (1) Plane of reference for 'Z' to lug distance.

Fig.5 Lug position.

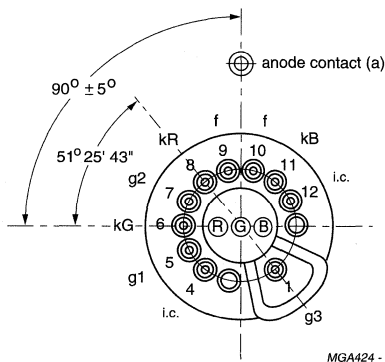
'Black Line WSF'
colour picture tube

W56ESF002X



Dimensions in mm.

Fig.6 Base JEDEC B10-277.



i.c. = internally connected and not to be used.

Fig.7 Pin arrangement.

Remarks: to Figs 6 and 7.

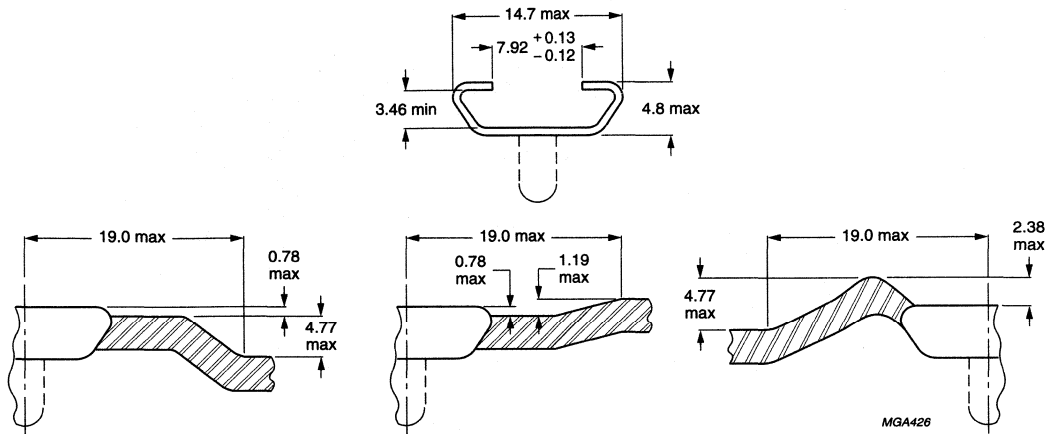
The socket for this base should not be rigidly mounted, it should have flexible leads and be allowed to move freely. After mounting the tube in the cabinet, note that the position of the base can fall within a circle, having a diameter of max. 40 mm concentric with an imaginary tube axis.

The mass of the mounting socket assembly should not exceed 150 g.

Maximum permissible torque on the tube neck is 0.04 Nm.

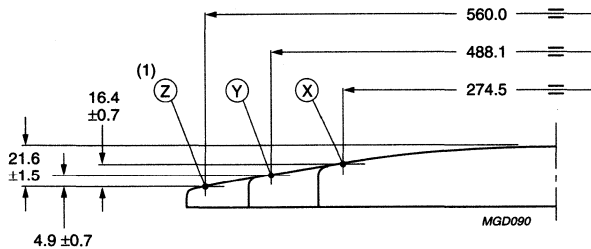
'Black Line WSF'
colour picture tube

W56ESF002X



Dimensions in mm.

Fig.8 Cavity cap JEDEC J1-21, IEC 67-III-2.

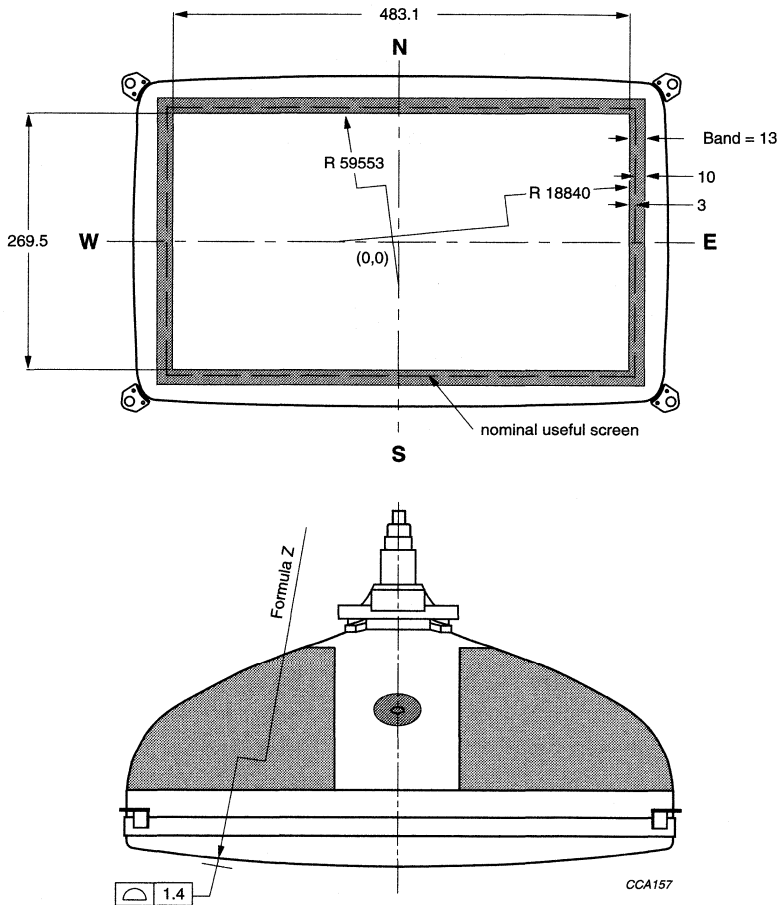


Dimensions in mm.

Fig.9 Screen reference points.

'Black Line WSF'
colour picture tube

W56ESF002X



Dimensions in mm.

Nominal sagittal height (mm) of the screen with respect to the screen centre is described by the following formula:

$$Z = \sqrt{2.7987077 \times 10^{-4} \times X^2 + 2.3189520 \times 10^{-11} \times X^4 + 2.7349223 \times 10^{-4} \times Y^2 - 2.6048717 \times 10^{-10} \times X^2 \times Y^2 - 1.1440980 \times 10^{-16} \times X^4 \times Y^2 + 1.7143040 \times 10^{-11} \times Y^4 + 1.3637120 \times 10^{-18} \times X^2 \times Y^4 - 2.2898170 \times 10^{-23} \times X^4 \times Y^4}$$

Fig.10 Bezel contour details.

'Black Line WSF'
colour picture tube

W56ESF002X

Sagittal heights of the useful screen measured with respect to the end of the diagonal axis

NOMINAL USEFUL SCREEN (NUS)			3 mm INSIDE NUS			10 mm OUTSIDE NUS		
COORDINATES		SAGITTAL HEIGHT (mm)	COORDINATES		SAGITTAL HEIGHT (mm)	COORDINATES		SAGITTAL HEIGHT (mm)
X (mm)	Y (mm)		X (mm)	Y (mm)		X (mm)	Y (mm)	
0.0	0.0	21.6	0.0	0.0	21.0	0.0	0.0	23.7
0.0 ⁽¹⁾	137.8	16.4	0.0	134.8	16.0	0.0	147.8	17.7
20.0	137.8	16.3	20.0	134.8	15.9	20.0	147.8	17.6
40.0	137.8	16.0	40.0	134.8	15.6	40.0	147.8	17.3
60.0	137.7	15.4	60.0	134.7	15.0	60.0	147.7	16.7
80.0	137.7	14.7	80.0	134.7	14.3	80.0	147.7	16.0
100.0	137.7	13.7	100.0	134.7	13.3	100.0	147.7	15.0
120.0	137.7	12.5	120.0	134.7	12.1	120.0	147.7	13.8
140.0	137.6	11.0	140.0	134.6	10.6	140.0	147.6	12.4
160.0	137.6	9.4	160.0	134.6	9.0	160.0	147.6	10.7
180.0	137.5	7.5	180.0	134.5	7.1	180.0	147.5	8.9
200.0	137.4	5.4	200.0	134.4	5.0	200.0	147.4	6.8
220.0	137.4	3.1	220.0	134.4	2.7	220.0	147.4	4.4
240.0	137.3	0.5	240.0	134.3	0.1	240.0	147.3	1.9
244.0 ⁽²⁾	137.3	0.0	241.1	134.3	0.0	254.0	147.2	0.0
244.2	120.0	1.1	241.2	120.0	0.9	254.2	120.0	1.8
244.3	100.0	2.3	241.3	100.0	2.1	254.3	100.0	3.0
244.4	80.0	3.2	241.4	80.0	3.0	254.4	80.0	3.9
244.4	60.0	3.9	241.4	60.0	3.7	254.4	60.0	4.6
244.5	40.0	4.4	241.5	40.0	4.2	254.5	40.0	5.1
244.5	20.0	4.7	241.5	20.0	4.5	254.5	20.0	5.4
244.5 ⁽³⁾	0.0	4.8	241.5	0.0	4.6	254.5	0.0	5.5

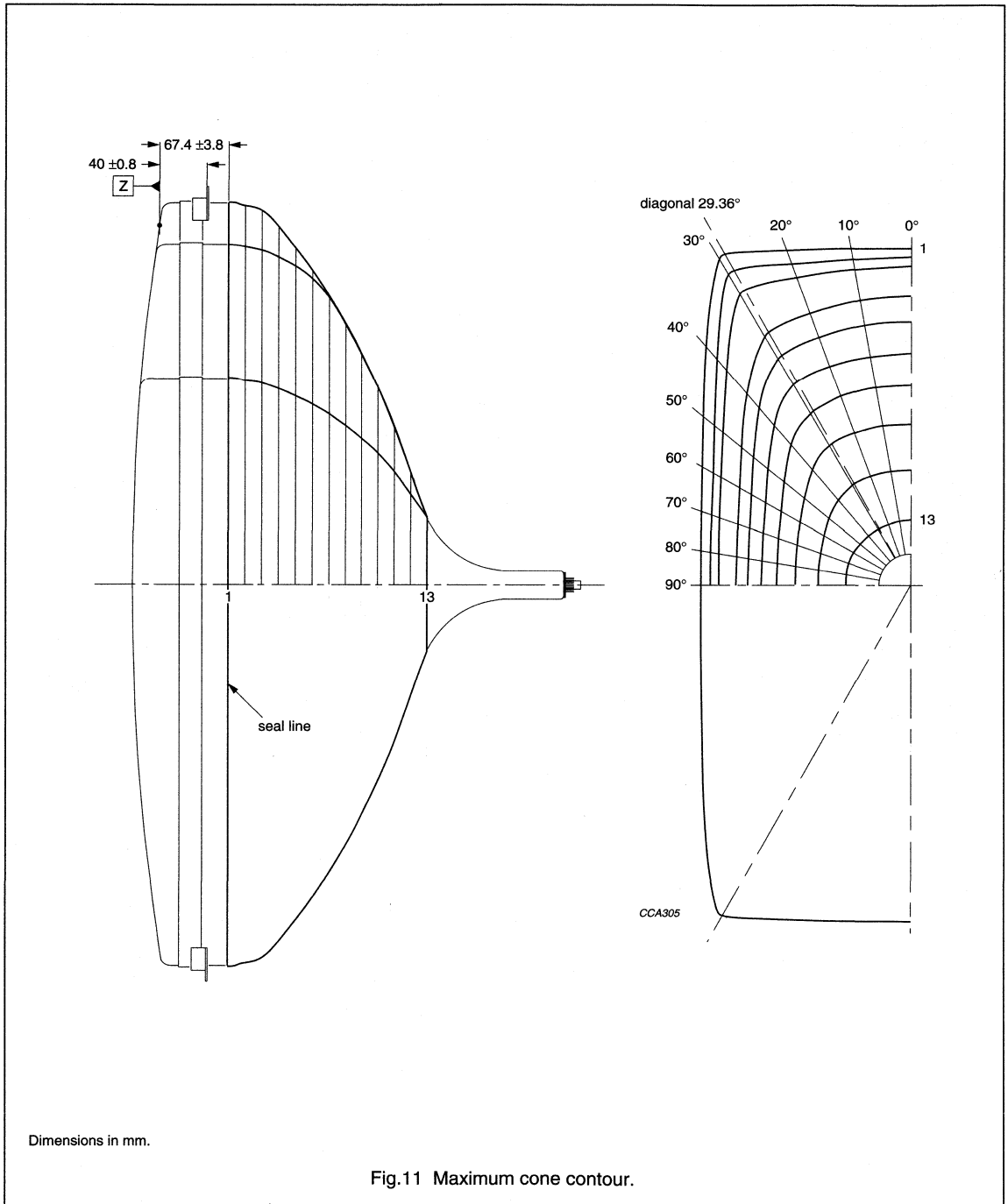
Notes

1. End of short axis.
2. End of diagonal axis.
3. End of long axis.

'Black Line WSF' colour picture tube

W56ESF002X

Cone contour



'Black Line WSF'
colour picture tube

W56ESF002X

Cone contour data

SECTION	NOMINAL DISTANCE FROM SECTION 1 (mm)	MAXIMUM DISTANCE FROM TUBE AXIS (mm)										
		0°	10°	20°	29.36°	30°	40°	50°	60°	70°	80°	90°
1	0	269.5	273.2	285.0	301.4	301.2	254.7	216.4	192.7	178.2	170.4	167.9
2	10	268.4	272.0	283.4	299.3	299.1	253.4	215.4	191.9	177.5	169.7	167.2
3	20	265.1	268.5	279.3	294.1	293.9	249.9	212.7	189.6	175.5	167.8	165.4
4	30	259.5	262.4	271.3	283.1	282.8	241.8	207.2	185.4	171.9	164.6	162.2
5	40	251.4	253.2	258.8	265.7	265.2	229.0	198.8	179.3	167.0	160.3	158.1
6	50	240.1	241.1	244.3	247.8	247.2	215.7	189.5	172.1	161.0	154.9	152.9
7	60	226.6	227.1	228.5	229.4	228.8	201.9	179.2	163.7	153.8	148.2	146.4
8	70	210.9	211.0	211.3	210.6	210.0	187.2	167.5	153.9	145.1	140.1	138.5
9	80	190.9	191.0	191.2	190.6	190.2	171.1	154.5	142.8	135.1	130.8	129.4
10	90	168.7	168.8	169.0	168.7	168.3	153.1	139.9	130.4	124.1	120.4	119.2
11	100	145.2	145.3	145.5	145.2	144.9	134.7	124.7	117.5	112.5	109.7	108.7
12	110	119.9	119.9	120.1	119.9	119.7	114.2	108.2	103.6	100.3	98.5	97.8
13	120	92.9	92.8	92.6	92.1	92.1	90.3	88.6	87.3	86.4	85.8	85.6

HANDLING

The packaging provides protection against tube damage under normal conditions of shipment or handling. Observe any instructions given on the packaging and handle accordingly. Under no circumstances should the tube assembly be subjected to accelerations greater than the values given in Table "Acceleration limits".

Acceleration limits

PARAMETER	PULSE DURATION	MAX.	UNIT
Acceleration in cone direction	≤10 ms	350	m/s ²
	>10 ms	220	m/s ²
Acceleration in all other directions		350	m/s ²

'Black Line WSF'
colour picture tube

W56ESF002X

TYPICAL OPERATING CONDITIONS

SYMBOL	PARAMETER	CONDITION	MIN.	TYP.	MAX.	UNIT
V_a	anode voltage	full screen load	—	29.5	—	kV
V_{g3}	grid 3 (focus electrode) voltage	screen centre	6.9	7.5	8.1	kV
V_{g2}	grid 2 voltage		see Fig.12			
V_f	heater voltage	tube operating	5.7	6.15	6.6	V

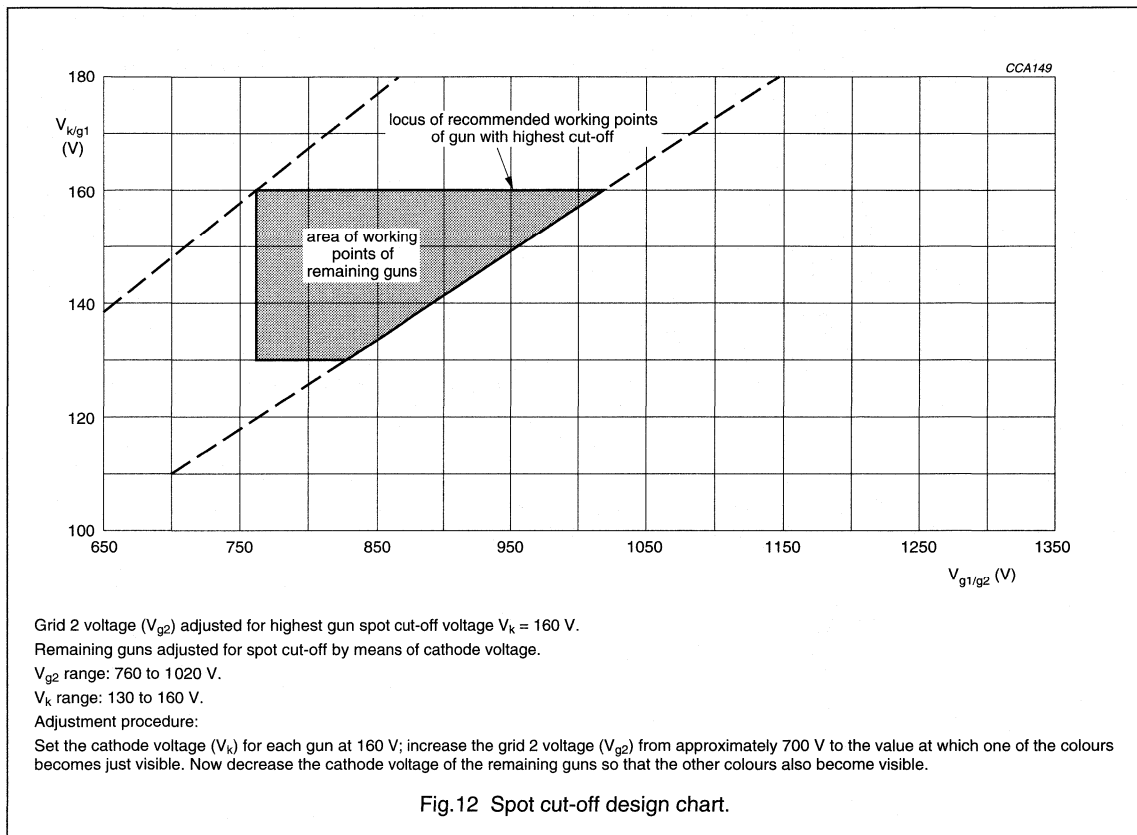


Fig.12 Spot cut-off design chart.

'Black Line WSF'
colour picture tube

W56ESF002X

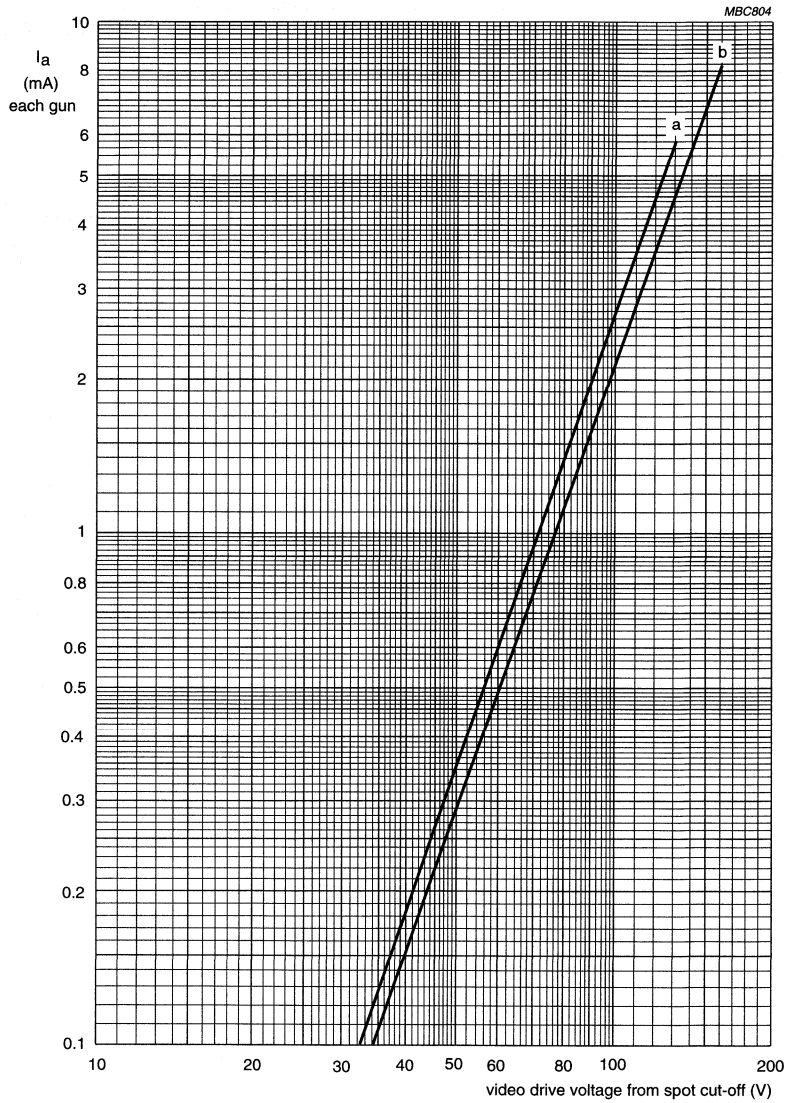
CHASSIS DESIGN VALUES

The values are valid for anode voltages between 25 and 33 kV. The voltages are specified with respect to grid 1. For optimum picture performance it is recommended that the cathodes are not driven below +1 V.

SYMBOL	PARAMETER	CONDITIONS	MIN.	TYP.	MAX.	UNIT
V_{g3}	grid 3 (focus electrode) voltage as a percentage of anode voltage		23.4	–	27.4	%
V_{g2}	grid 2 voltage	for visual extinction of focusing spot	see Fig.12			
V_k	cathode voltage		see Figs 12 and 13			
ΔV_k	difference in cut-off voltage between guns in any tube		lowest value >80% of highest value			
V_f	heater voltage	tube operating	–	6.15	–	V
I_{g3}	grid 3 (focus electrode) current		–2.0	–	+2.0	μA
I_{g2}	grid 2 current		–2.0	–	+2.0	μA
I_{g1}	grid 1 current	under cut-off conditions	–2.0	–	+2.0	μA
I_{kf}	cathode/heater current		–2.0	–	+2.0	μA
R_{ins}	insulation resistance between each cathode and all other electrodes and heater		50	–	–	$\text{M}\Omega$
Anode currents to produce white of 6500 K + 7 MPCD (CIE coordinates $x = 0.313$; $y = 0.329$)						
PERCENTAGE OF THE TOTAL ANODE CURRENT SUPPLIED BY EACH GUN						
	red gun		–	41.3	–	%
	green gun		–	34.4	–	%
	blue gun		–	24.3	–	%
RATIO OF ANODE CURRENTS						
	red gun to green gun		0.85	1.20	1.55	
	red gun to blue gun		1.20	1.70	2.20	
	blue gun to green gun		0.40	0.70	1.00	

'Black Line WSF'
colour picture tube

W56ESF002X



$V_1 = 6.15 \text{ V.}$
 $V_a = 29.5 \text{ kV.}$
 V_{g3} adjusted for focus.
 V_{g2} (each gun) adjusted to provide spot cut-off for $V_k = 130 \text{ V}$ (curve a) and $V_k = 160 \text{ V}$ (curve b).

Fig.13 Typical cathode drive characteristics.

'Black Line WSF'

colour picture tube

W56ESF002X

LIMITING VALUES

In accordance with the Absolute Maximum Rating System (IEC 134). Voltages are specified with respect to grid 1.

SYMBOL	PARAMETER	CONDITIONS	MIN.	MAX.	UNIT
V _a	anode voltage	notes 1 and 2	25	33	kV
		at zero beam current	–	36 ⁽³⁾	kV
I _a	long-term average anode current for three guns		–	1300	μA
	short-term average anode current for three guns		–	1800	μA
V _{g3}	focus voltage	note 4	–	11	kV
V _{g2}	grid 2 voltage	note 5	–	1500	V
V _f	heater voltage	note 6	5.7	6.6	V
Cathode voltage					
V _k	positive		–	250	V
V _k	during switch-off		–	250	V
V _k	positive operating cut-off		–	200	V
V _k	negative		–	0	V
V _{kp}	negative peak		–	–2	V
Cathode to heater voltage					
V _{kf}	positive		–	250	V
V _{kfp}	positive peak		–	300	V
V _{kf}	negative		–	0	V
V _{kfp}	negative peak		–	–50	V
Circuit limiting values					
R _{g3}	grid 3 circuit resistance		–	50	MΩ
R _{g2}	grid 2 circuit resistance		–	50	MΩ
R _{g1-k}	grid 1 to cathode circuit resistance		–	750	kΩ

Notes

1. During adjustment on the production line this value is likely to be surpassed considerably. It is therefore strongly recommended to first make the necessary adjustments for normal operation without the picture tube.
2. Operation of the tube at lower voltages impairs the luminance and resolution and could impair convergence.
3. This value is an absolute maximum.
4. During flash-over maximum 20 kV is allowed (see Chapter "Flashover protection").
5. During adjustment on the production line a maximum value of 1800 V is allowed.
6. For maximum cathode life and optimum performance it is recommended that the heater supply is designed for 6.15 V at average beam current, for most applications this equals 6.3 V at zero beam current. **The heater supply source impedance must not be less than 2 Ω.**

'Black Line WSF' colour picture tube

W56ESF002X

FLASHOVER PROTECTION

With the high voltage used with this tube (max. 36 kV) internal flashovers may occur. As a result of Soft-Flash technology these flashover currents are limited to approximately 100 A offering higher reliability, optimum circuit protection and component savings.

Primary protective circuitry using properly grounded spark gaps and series isolation resistors (preferably carbon composition) is still necessary to prevent tube damage.

The spark gaps should be connected to all picture tube electrodes at the socket in accordance with Fig.14; they are not required on the heater pins. No other connections between the outer conductive coating and the chassis are permissible. The spark gaps should be designed for a breakdown voltage of less than 20 kV at the focus electrode (g3) and less than 2 kV at the other electrodes, both at an atmospheric pressure of 100 kPa.

The values of the series isolation resistors should be as high as possible (min. 0.5 k Ω) without causing deterioration of the circuit performance. The resistors should be able to withstand an instantaneous surge of 20 kV for the focusing circuit and 12 kV for the remaining circuits without arcing.

To guarantee the soft flash behaviour, the internal dynamic resistance of the tube during flashover is a minimum 400 Ω and a maximum 800 Ω .

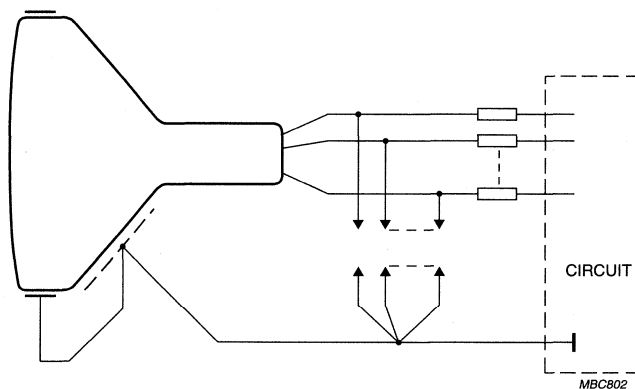


Fig.14 Flashover protection circuit.

'Black Line WSF'
colour picture tube

W56ESF002X

X-RADIATION

Maximum anode voltage at which the X-radiation emitted will not exceed 0.5 mR/h at an anode current of 300 μ A.

PARAMETER	VALUE
Entire tube; note 1	37.4 kV
Face-plate only	37.4 kV

Note

1. This rating applies only if the anode connector used by the set maker provides the necessary attenuation to reduce the X-radiation from the anode contact by a factor equal to the difference between the anode button iso-exposure-rate limit curve and the iso-exposure-rate limit curve for the entire tube.

WARNING

If the value for the tube face only is used as design criteria, adequate shielding must be provided in the TV receiver for the anode contact and/or certain portions of the tube funnel and panel sidewalls to ensure that the X-radiation from the TV receiver is attenuated to a value equal to or lower than that specified for the face of the tube.

The X-radiation emitted from this picture tube, as measured in accordance with the procedure of "JEDEC Publications No.64D" will not exceed 0.5 mR/h throughout the useful life of the tube when operated within the design-maximum ratings.

The tube should not be operated beyond its design-maximum ratings stated above, but its X-radiation will not exceed 0.5 mR/h for anode voltage and current combinations given by the iso-exposure-rate limit characteristics as shown in Fig.16.

Operation above the values shown by the curve may result in failure of the TV receiver to comply with the "Federal Performance Standard of the U.S. for Television Receivers, Section 1020.10 of Part 1020 of Title 21, Code of Federal Regulation".

Maximum X-radiation as a function of anode voltage at 300 μ A current is shown by Fig.15. X-radiation at a constant anode voltage varies linearly with anode current.

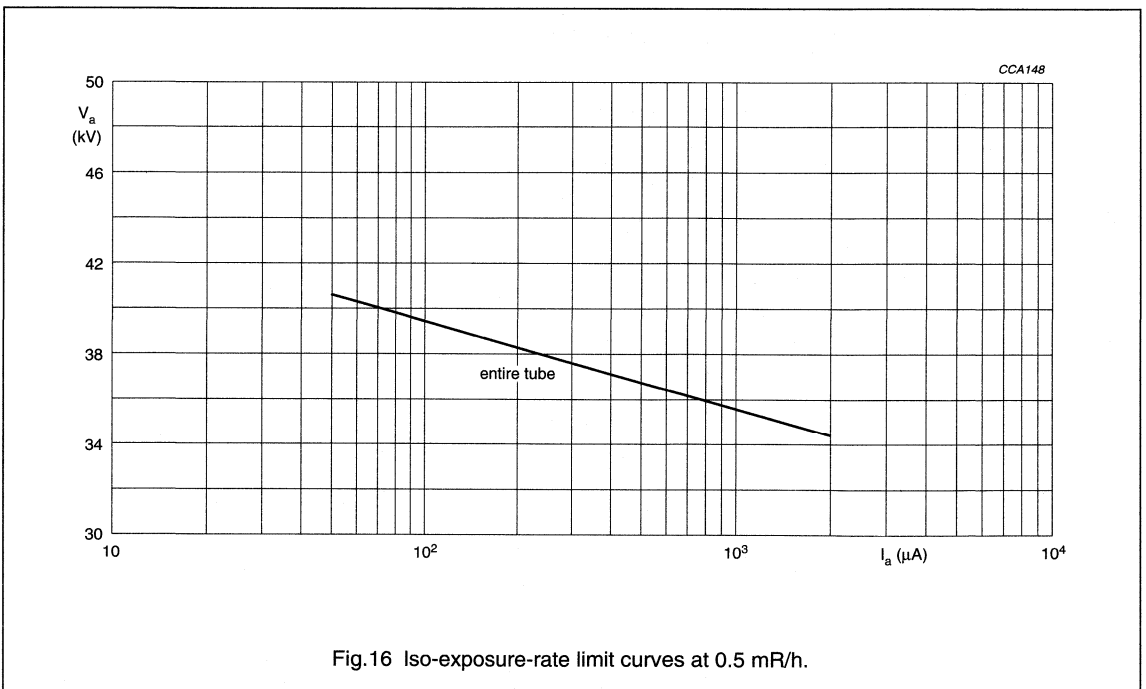
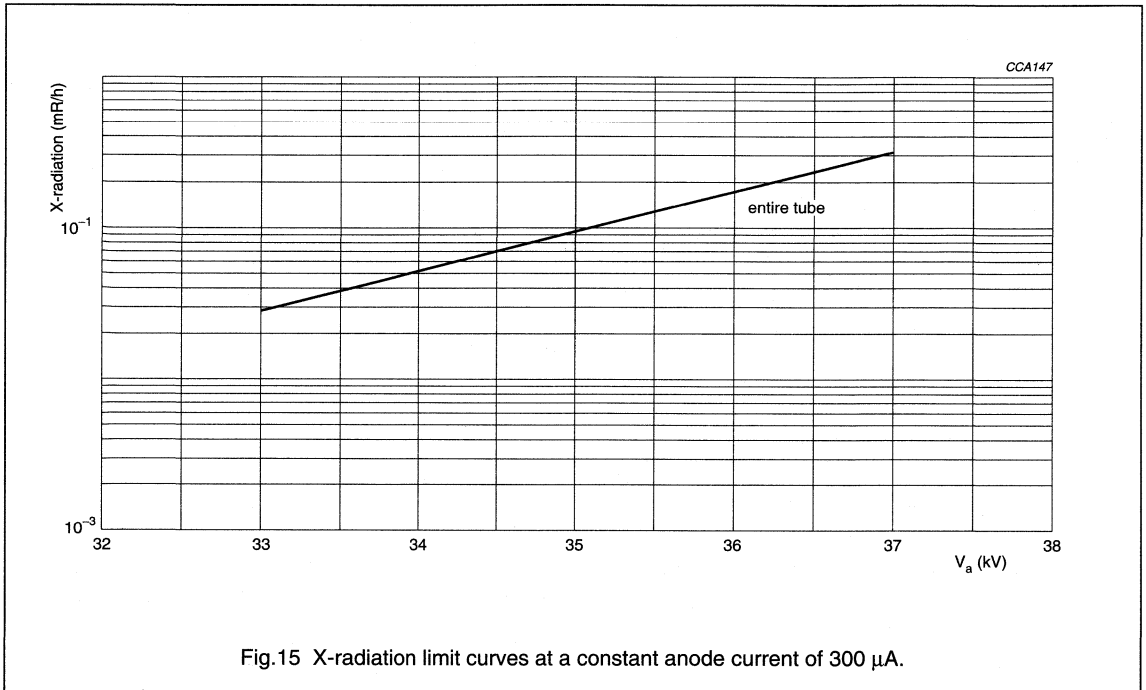
WARNING

The cathode ray tube is intrinsically safe in accordance with "Appendix III Röntgenverordnung".

Eigensichere Kathodenstrahlröhre nach "Anlage III Röntgenverordnung".

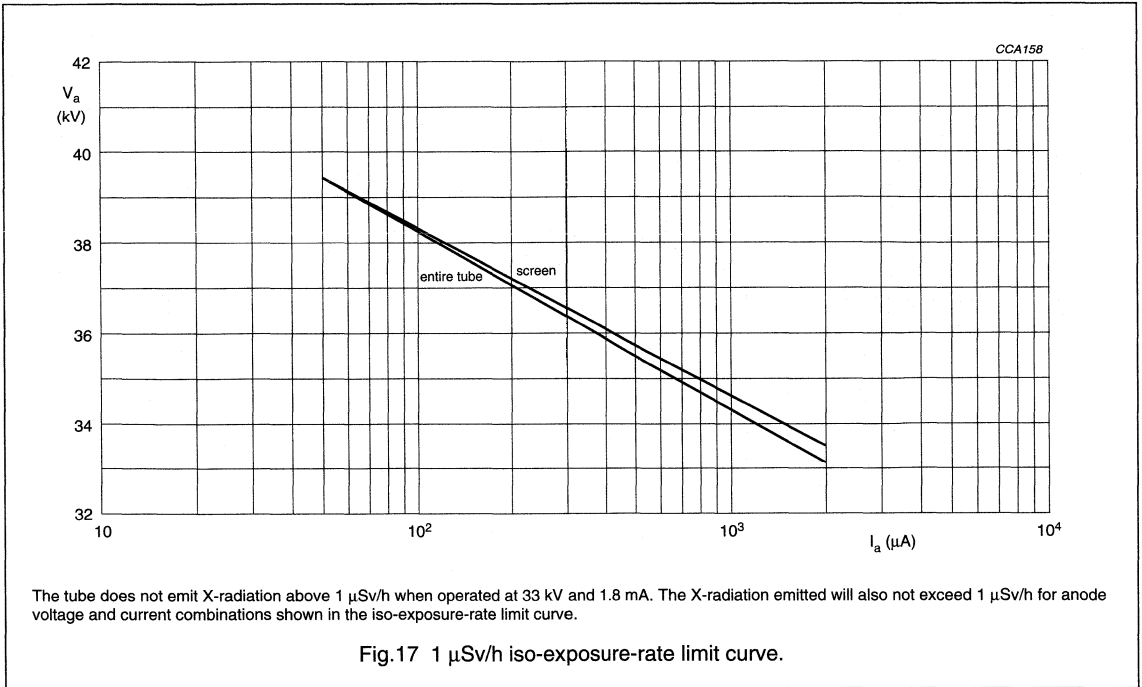
'Black Line WSF'
colour picture tube

W56ESF002X



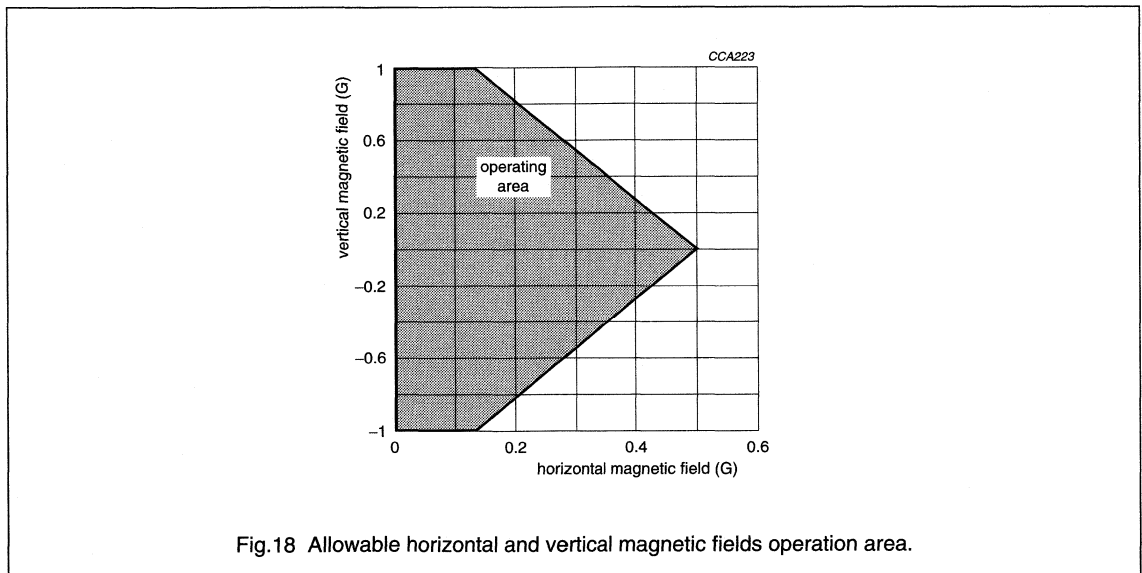
'Black Line WSF'
colour picture tube

W56ESF002X



MAGNETIC FIELD CONDITIONS

This tube is designed for world wide use.



'Black Line WSF' colour picture tube

W56ESF002X

DEGAUSSING

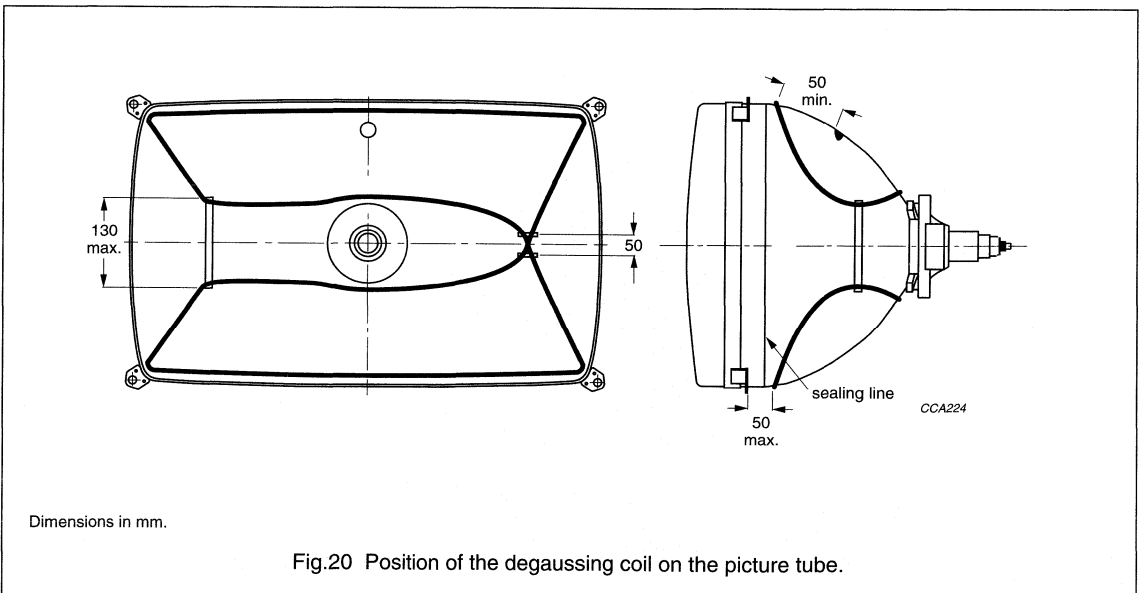
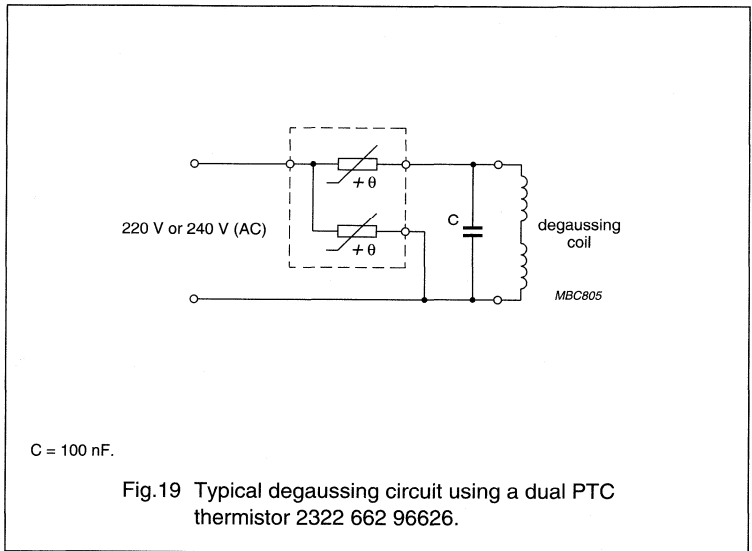
The picture tube is provided with an internal magnetic shield. This shield and the shadow mask with its suspension system should be provided with an automatic degaussing system, consisting of coil(s) covering the top and bottom cone parts.

For proper degaussing an initial magnetomotive force (MMF) of 400 ampere-turns is required in each coil. This MMF must be gradually decreased (maximum 25% per half period) by appropriate circuitry. To prevent beam landing disturbance by line frequency currents induced in the degaussing coils, these coils should be shunted by a capacitor of sufficiently high value. In steady state, no significant MMF should remain in the coils (≤ 0.15 ampere-turns).

If single-phase power rectification is employed in the TV circuitry, provision should be included to prevent asymmetric distortion of the AC voltage applied to the degaussing circuit due to high DC inrush currents.

Data of degaussing coils

PARAMETER	TYP.	UNIT
Circumference	≈ 255	cm
Number of turns	81	
Copper wire diameter	0.355	mm
Resistance	37	Ω



'Black Line WSF'
colour picture tube assembly**W56ESF002X03****FEATURES**

- 50 Hz vertical repetition
- Factory preset tube/coil assembly
- Self-converging and north-south raster correction free
- 56 cm, 106° colour picture tube W56ESF002X
- Double mussel deflection unit.

QUICK REFERENCE DATA

PARAMETER	TYP.	UNIT
Deflection angle	106	deg
Nominal useful screen diagonal	56	cm
Overall length	<40.6	cm
Glass transmission	42.7	%
Neck diameter	29.1	mm
Anode voltage	29.5	kV

Black Line WSF

'Black Line WSF'
colour picture tube assembly

W56ESF002X03

DEFLECTION UNIT DATA

All measurements are performed at a horizontal frequency of 16 kHz.

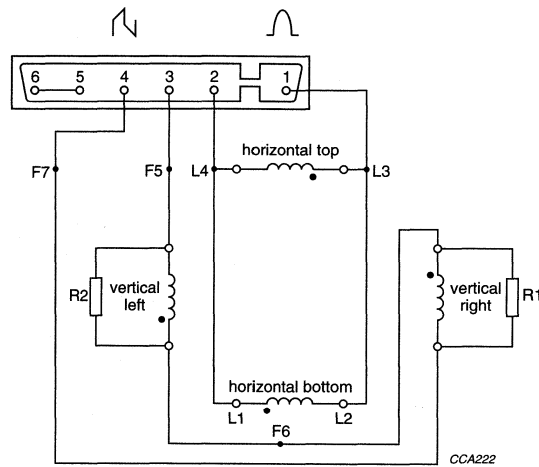
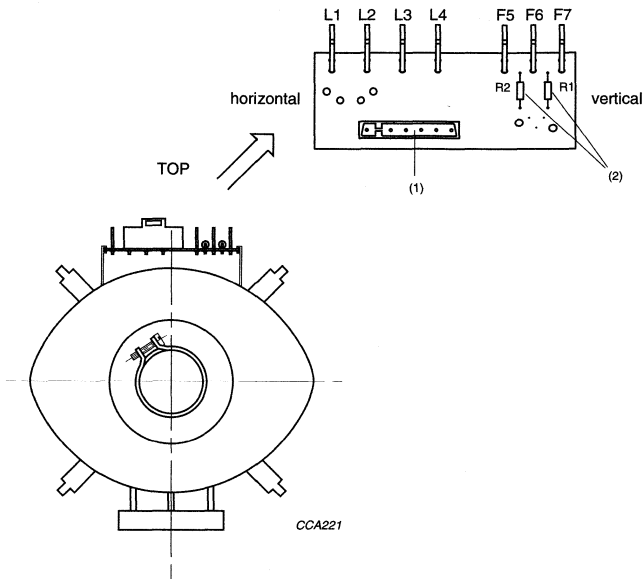
PARAMETER	CONDITIONS	MIN.	TYP.	MAX.	UNIT
Horizontal deflection coils					
Inductance		1.22	1.29	1.35	mH
Resistance	$T_{amb} = 25\text{ }^{\circ}\text{C}$	1.29	1.36	1.43	Ω
Magnetic flux		6.72	7.07	7.42	mWb
Deflection current (peak-to-peak value)	edge-to-edge; $V_a = 29.5\text{ kV}$	–	5.49	–	A
Average copper temperature	note 1	–	–	110	$^{\circ}\text{C}$
Temperature rise (ΔT)	$V_a = 29.5\text{ kV};$ $I_a = \text{short term average value}$	–	45	–	$^{\circ}\text{C}$
Vertical deflection coils					
Inductance		7.91	8.32	8.74	mH
Resistance	$T_{amb} = 25\text{ }^{\circ}\text{C}$	6.69	7.05	7.40	Ω
Vertical voltage		9.77	10.3	10.8	V
Deflection current (peak-to-peak value)	edge-to-edge; $V_a = 29.5\text{ kV}$	–	1.46	–	A
Average copper temperature	note 1	–	–	110	$^{\circ}\text{C}$
Temperature rise (ΔT)	$V_a = 29.5\text{ kV};$ $I_a = \text{short term average value}$	–	30	–	$^{\circ}\text{C}$
Deflection unit					
Permissible DC voltage					
between horizontal and vertical coils		–	–	2000	V
between horizontal and yoke ring		–	–	2000	V
between vertical coils and yoke ring		–	–	300	V
Insulation resistance	1 kV (DC)				
between horizontal and vertical coils		500	–	–	M Ω
between horizontal coil and yoke ring		500	–	–	M Ω
between vertical coil and yoke ring		10	–	–	M Ω
Cross-talk from horizontal to vertical coils	1 V; 500 Hz applied to the horizontal deflection coils	–	–	20	mV

Note

1. Measured by the resistance method.

'Black Line WSF'
colour picture tube assembly

W56ESF002X03



The beginning of the windings is indicated with •

(1) Main connector: Stocko series MKS 2820; matching socket connector Stocko series MKF 2800.

(2) $R1 = R2 = 100 \Omega, 0.25 \text{ W}$.

Fig.2 W56ESF002X03 deflection coils.

'Black Line WSF'
colour picture tube assembly**W56ESF002X04****FEATURES**

- 50 Hz vertical repetition
- Factory preset tube/coil assembly
- Self-converging and north-south raster correction free
- 56 cm, 106° colour picture tube W56ESF002X
- Double mussel deflection unit.

QUICK REFERENCE DATA

PARAMETER	TYP.	UNIT
Deflection angle	106	deg
Nominal useful screen diagonal	56	cm
Overall length	<40.6	cm
Glass transmission	42.7	%
Neck diameter	29.1	mm
Anode voltage	29.5	kV

Black Line WSF

'Black Line WSF'
colour picture tube assembly

W56ESF002X04

DEFLECTION UNIT DATA

All measurements are performed at a horizontal frequency of 16 kHz.

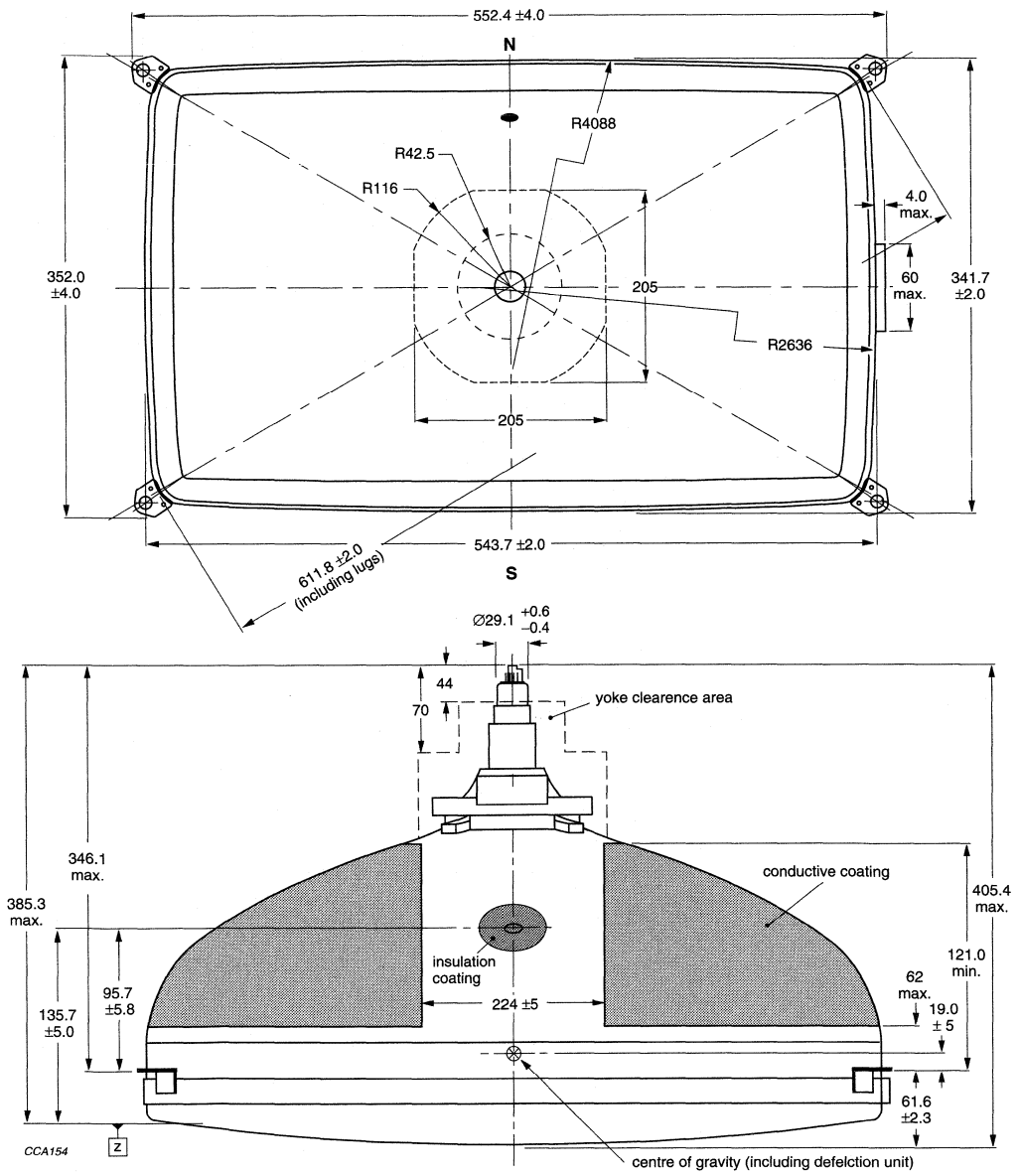
PARAMETER	CONDITIONS	MIN.	TYP.	MAX.	UNIT
Horizontal deflection coils					
Inductance		1.11	1.17	1.23	mH
Resistance	$T_{amb} = 25\text{ }^{\circ}\text{C}$	1.18	1.24	1.30	Ω
Magnetic flux		6.40	6.73	7.07	mWb
Deflection current (peak-to-peak value)	edge-to-edge; $V_a = 29.5\text{ kV}$	–	5.76	–	A
Average copper temperature	note 1	–	–	110	$^{\circ}\text{C}$
Temperature rise (ΔT)	$V_a = 29.5\text{ kV};$ $I_a = \text{short term average value}$	–	45	–	$^{\circ}\text{C}$
Vertical deflection coils					
Inductance		7.91	8.32	8.74	mH
Resistance	$T_{amb} = 25\text{ }^{\circ}\text{C}$	6.69	7.05	7.40	Ω
Vertical voltage		9.77	10.3	10.8	V
Deflection current (peak-to-peak value)	edge-to-edge; $V_a = 29.5\text{ kV}$	–	1.46	–	A
Average copper temperature	note 1	–	–	110	$^{\circ}\text{C}$
Temperature rise (ΔT)	$V_a = 29.5\text{ kV};$ $I_a = \text{short term average value}$	–	30	–	$^{\circ}\text{C}$
Deflection unit					
Permissible DC voltage					
between horizontal and vertical coils		–	–	2000	V
between horizontal and yoke ring		–	–	2000	V
between vertical coils and yoke ring		–	–	300	V
Insulation resistance	1 kV (DC)				
between horizontal and vertical coils		500	–	–	M Ω
between horizontal coil and yoke ring		500	–	–	M Ω
between vertical coil and yoke ring		10	–	–	M Ω
Cross-talk from horizontal to vertical coils	1 V; 500 Hz applied to the horizontal deflection coils	–	–	20	mV

Note

1. Measured by the resistance method.

'Black Line WSF'
colour picture tube assembly

W56ESF002X04

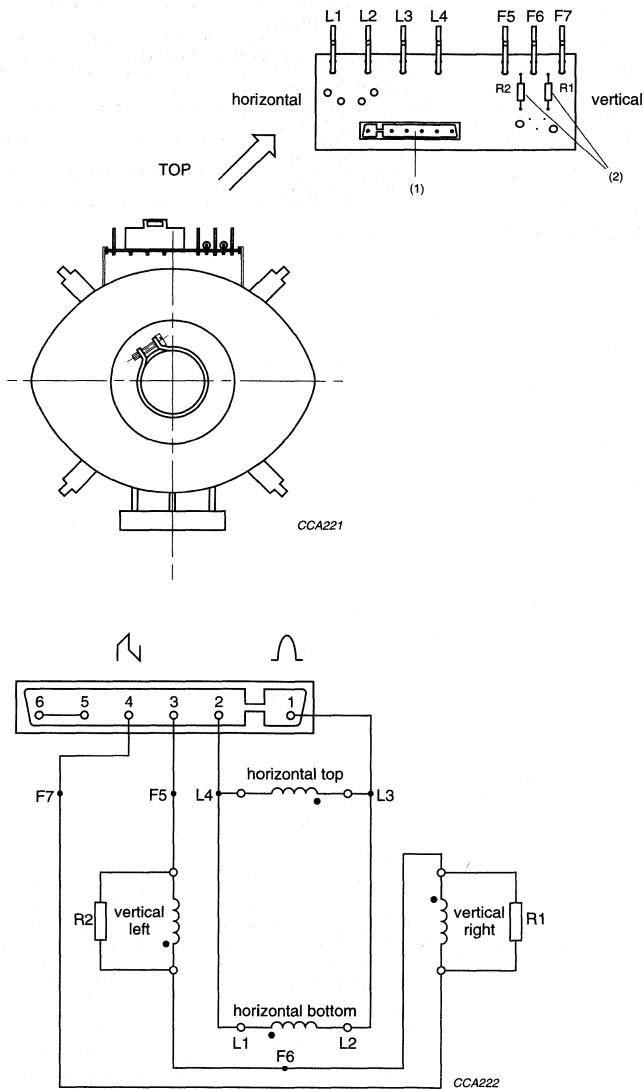


Dimensions in mm.

Fig.1 Assembly dimensions.

'Black Line WSF'
colour picture tube assembly

W56ESF002X04



The beginning of the windings is indicated with •

(1) Main connector: Stocko series MKS 2820; matching socket connector Stocko series MKF 2800.

(2) R1 = R2 = 100 Ω, 0.25 W.

Fig.2 W56ESF002X04 deflection coils.

**'Black Line WSF'
colour picture tube assembly****W56ESF002X44****FEATURES**

- 100 Hz vertical repetition
- Factory preset tube/coil assembly
- Self-converging and north-south raster correction free
- Scan Velocity Modulation (SVM) for improved picture sharpness
- 56 cm, 106° colour picture tube W56ESF002X
- Double mussel deflection unit.

QUICK REFERENCE DATA

PARAMETER	TYP.	UNIT
Deflection angle	106	deg
Nominal useful screen diagonal	56	cm
Overall length	<40.6	cm
Glass transmission	42.7	%
Neck diameter	29.1	mm
Anode voltage	29.5	kV

Black Line WSF

'Black Line WSF'

colour picture tube assembly

W56ESF002X44

DEFLECTION UNIT DATA

All measurements are performed at a horizontal frequency of 32 kHz.

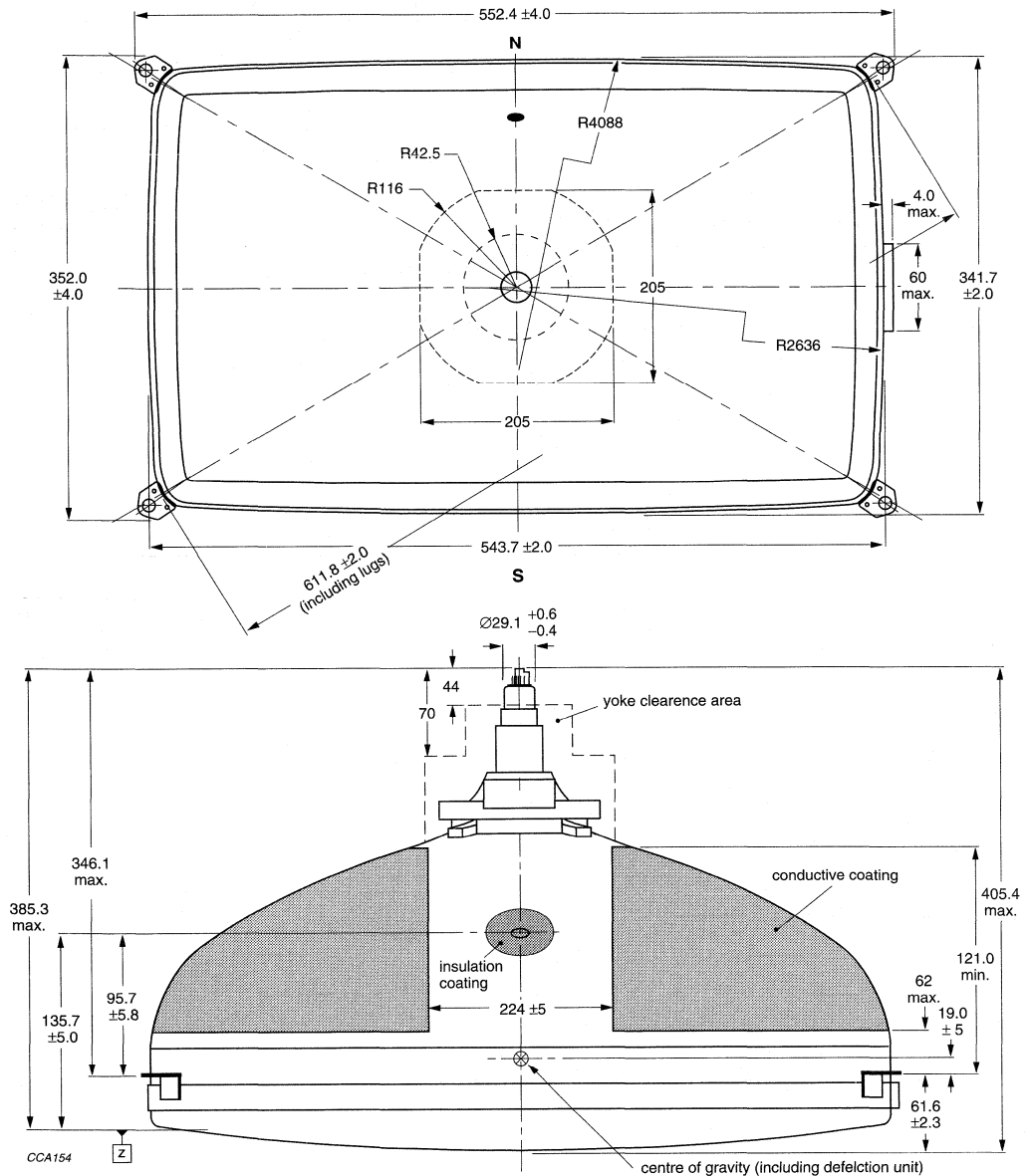
PARAMETER	CONDITIONS	MIN.	TYP.	MAX.	UNIT
Horizontal deflection coils					
Inductance		0.29	0.30	0.32	mH
Resistance	$T_{amb} = 25\text{ }^{\circ}\text{C}$	0.32	0.34	0.36	Ω
Magnetic flux		3.13	3.29	3.46	mWb
Deflection current (peak-to-peak value)	edge-to-edge; $V_a = 29.5\text{ kV}$	–	11.9	–	A
Average copper temperature	note 1	–	–	110	$^{\circ}\text{C}$
Temperature rise (ΔT)	$V_a = 29.5\text{ kV}$; $I_a = \text{short term average value}$	–	50	–	$^{\circ}\text{C}$
Vertical deflection coils					
Inductance		7.91	8.32	8.74	mH
Resistance	$T_{amb} = 25\text{ }^{\circ}\text{C}$	6.69	7.05	7.40	Ω
Vertical voltage		9.77	10.3	10.8	V
Deflection current (peak-to-peak value)	edge-to-edge; $V_a = 29.5\text{ kV}$	–	1.46	–	A
Average copper temperature	note 1	–	–	110	$^{\circ}\text{C}$
Temperature rise (ΔT)	$V_a = 29.5\text{ kV}$; $I_a = \text{short term average value}$	–	35	–	$^{\circ}\text{C}$
SVM coils					
Inductance	$f = 10\text{ kHz}$	2.35	2.40	2.45	μH
Resistance		0.77	1.10	1.43	Ω
Sensitivity					
centre		1.34	1.40	1.46	mm/A
edge		2.85	3.00	3.15	mm/A
Deflection unit					
Permissible DC voltage					
between horizontal and vertical coils		–	–	2000	V
between horizontal and yoke ring		–	–	2000	V
between vertical coils and yoke ring		–	–	300	V
Insulation resistance	1 kV (DC)				
between horizontal and vertical coils		500	–	–	$\text{M}\Omega$
between horizontal coil and yoke ring		500	–	–	$\text{M}\Omega$
between vertical coil and yoke ring		10	–	–	$\text{M}\Omega$
Cross-talk from horizontal to vertical coils	1 V; 500 Hz applied to the horizontal deflection coils	–	–	20	mV

Note

1. Measured by the resistance method.

'Black Line WSF'
colour picture tube assembly

W56ESF002X44

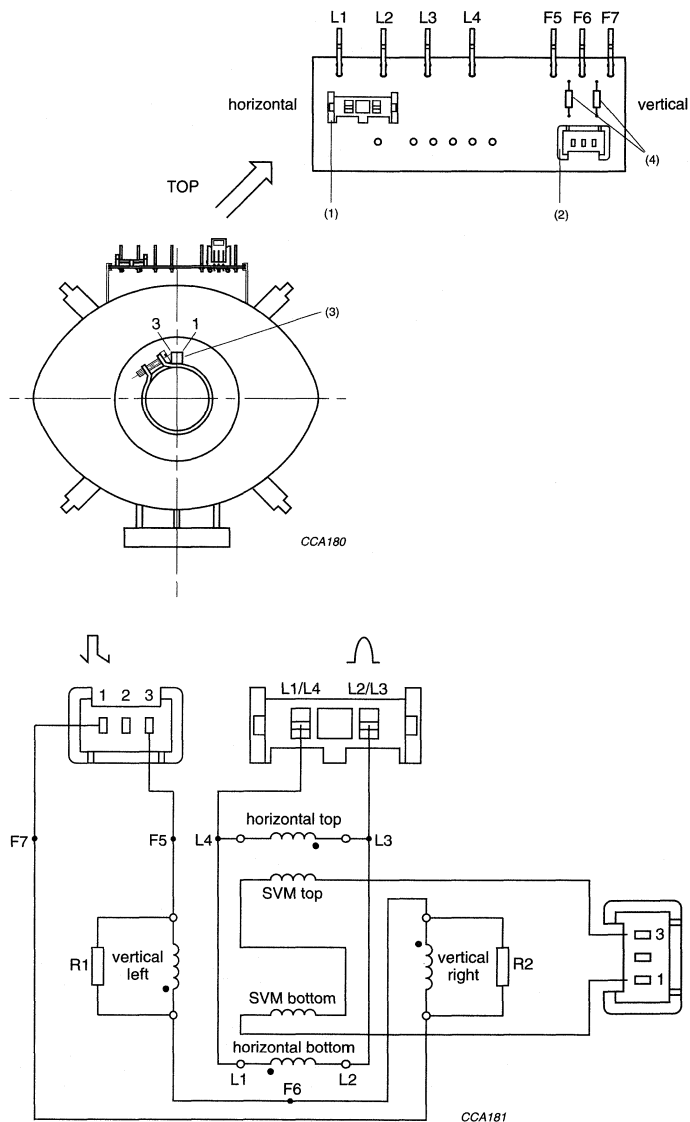


Dimensions in mm.

Fig.1 Assembly dimensions.

'Black Line WSF'
colour picture tube assembly

W56ESF002X44



The beginning of the windings is indicated with •

- (1) Horizontal connector: AMP Ultrex connection system; connector 2-173270-2; matching connector 2-173268-2.
- (2) Vertical connector: Stocko system RFK1 (MKS series); matching connector MKF17033, MKF17330 or MKF17360 series.
- (3) SVM connector: Stocko system RFK1 (MKS series); matching connector MKF17033, MKF17330 or MKF17360 series, actual position of this connector is on top.
- (4) R1 = R2 = 100 Ω, 0.25 W.

Fig.2 W56ESF002X44 deflection coils.

'Black Line WSF' colour picture tube

W66ESF002X

FEATURES

- 'Super flat' screen
- Screen contour F2
- New 16 : 9 screen ratio
- BLACK MATRIX technology
- High contrast
- High gloss, low transmission screen
- In-line, IFL, ART (Aberration Reducing Triode) gun with quadrupole cathode lens
- Invar Plus mask with corner suspension
- Pigmented phosphors
 - Cd-free green
 - Deep red
- Quick-heating low-power cathodes
- Soft-flash
- Slotted shadow mask optimized for minimum moiré at 525 and 625 line systems
- Internal magnetic shield
- Worldwide application
- Internal multipole
- Rimband type mini-P
- N/S raster correction free.

QUICK REFERENCE DATA

PARAMETER	TYP.	UNIT
Deflection angle	106	deg
Nominal useful screen diagonal	66	cm
Overall length	<47.3	cm
Glass transmission	40	%
Neck diameter	32.8	mm
Heater voltage	6.15	V
Heater current	315	mA
Anode voltage	30	kV
Focus voltage	27% of anode voltage	

Black Line WSF

'Black Line WSF'
colour picture tube

W66ESF002X

ELECTRICAL DATA

SYMBOL	PARAMETER	MIN.	TYP.	MAX.	UNIT
Capacitances					
$C_{a(m+m')}$	anode to external conductive coating, including rimband	2000	–	–	pF
$C_{am'}$	anode to metal rimband	–	250	–	pF
$C_{K(R+G+B)}$	cathodes of all guns (connected in parallel) to all other electrodes	–	–	15	pF
C_{kR}, C_{kG}, C_{kB}	cathode of any gun to all other electrodes	–	5	–	pF
C_{g1}	grid 1 to all other electrodes	–	17	–	pF
C_{g3}	grid 3 (focus electrode) to all other electrodes	–	6	–	pF
Heating, indirect by AC (preferably mains or line frequency) or DC					
V_f	heater voltage	–	6.15	–	V
I_f	heater current	–	315	–	mA
Resistance					
R_{rim}	between rimband and external conductive coating	50	–	–	MΩ

ELECTRO-OPTICAL DATA

PARAMETER	VALUE
Electron gun system	unitized in-line
Focus method	electrostatic
Main lens	IFL (Integrated Focus Lens)
Convergence method	self converging
Deflection angles	
diagonal	106°
horizontal	97°
vertical	62°

'Black Line WSF'

colour picture tube

W66ESF002X

OPTICAL DATA

PARAMETER	VALUE
Screen	vertical matrix and phosphor stripes
Matrix	black opaque material; PVP technology
Screen finish	high gloss
Nominal useful screen dimensions	
diagonal	660.0 mm
horizontal axis	578.1 mm
vertical axis	326.5 mm
area	≈1880 cm ²
Phosphors	
red	pigmented europium activated rare earth
green	Cd-free sulphide type
blue	pigmented sulphide type
Persistence	medium short
Centre-to-centre distance of identical colour phosphor stripes (at screen centre)	≈0.70 mm
Light transmission of face glass at centre of screen	40%
Intrinsic luminance (L) at screen centre; at 30 kV; note 1	73.5 cd/m ²

Note

1. Tube settings adjusted to produce white D ($x = 0.313$, $y = 0.329$), focused raster, current density $0.4 \mu\text{A}/\text{cm}^2$.

Colour coordinates

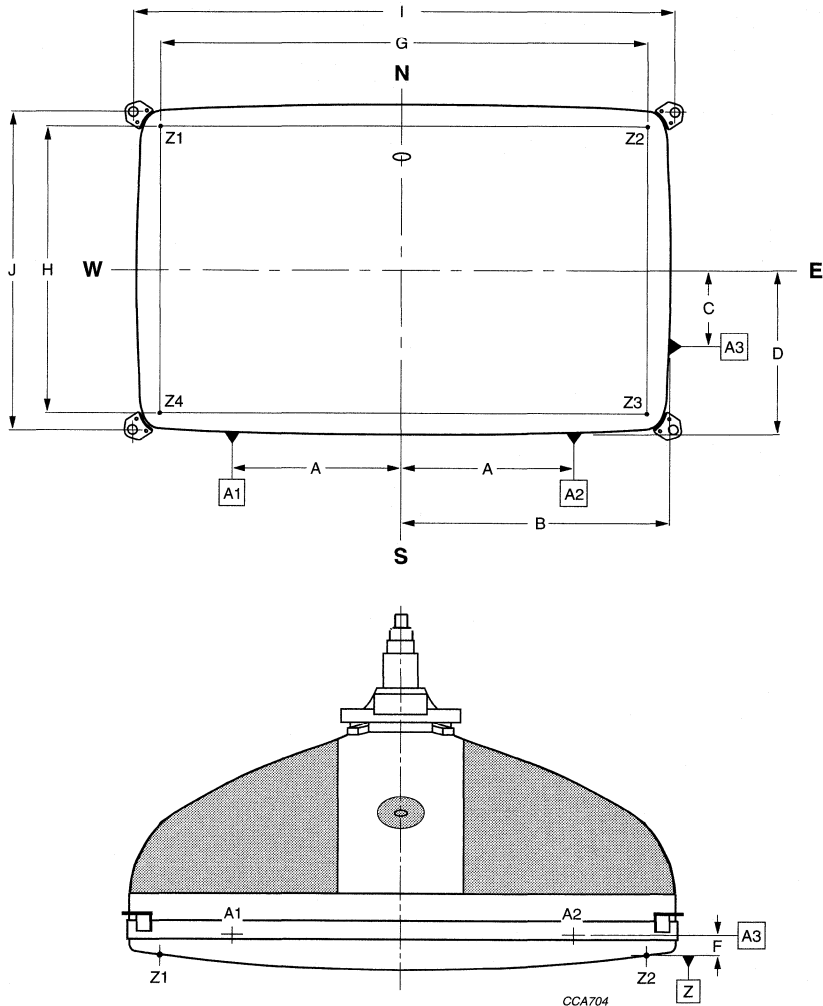
COLOUR COORDINATE	x	y
Red	0.630	0.330
Green	0.295	0.595
Blue	0.155	0.065

MECHANICAL DATA

PARAMETER	VALUE
Mass including deflection unit	≈24.5 kg
Base	JEDEC B10-302
Anode contact	small cavity contact; JEDEC J1-21; IEC 67-III-2
Mounting position	anode contact on top
Implosion protection	mini-P shrink system
Bulb design	
Funnel	EIA/JEDEC J-699A
Panel	EIA/JEDEC F-704B

'Black Line WSF'
colour picture tube

W66ESF002X



A = 235.0 mm.
B = 312.71 mm.
C = 135.0 mm.
D = 189.37 mm.
F = 30.5 mm.
G = 575.22 mm.
H = 323.6 mm.
I = 630 mm.
J = 381 mm.

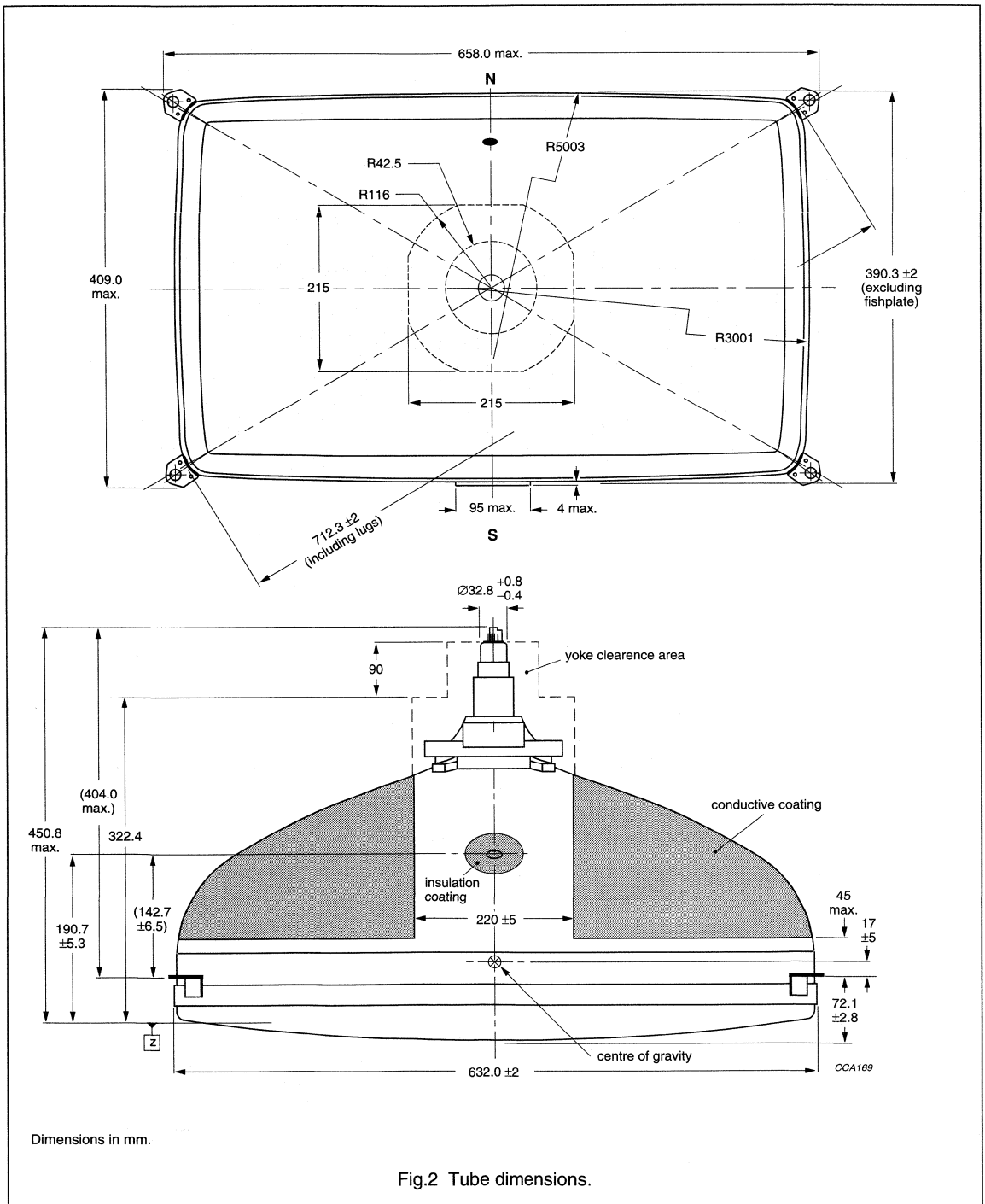
Z1 and Z3 are part of plane 'Z'.

Z2 and Z4 have the same distance to 'Z' and lie at the same side of plane 'Z'.

Fig.1 Mechanical reference points.

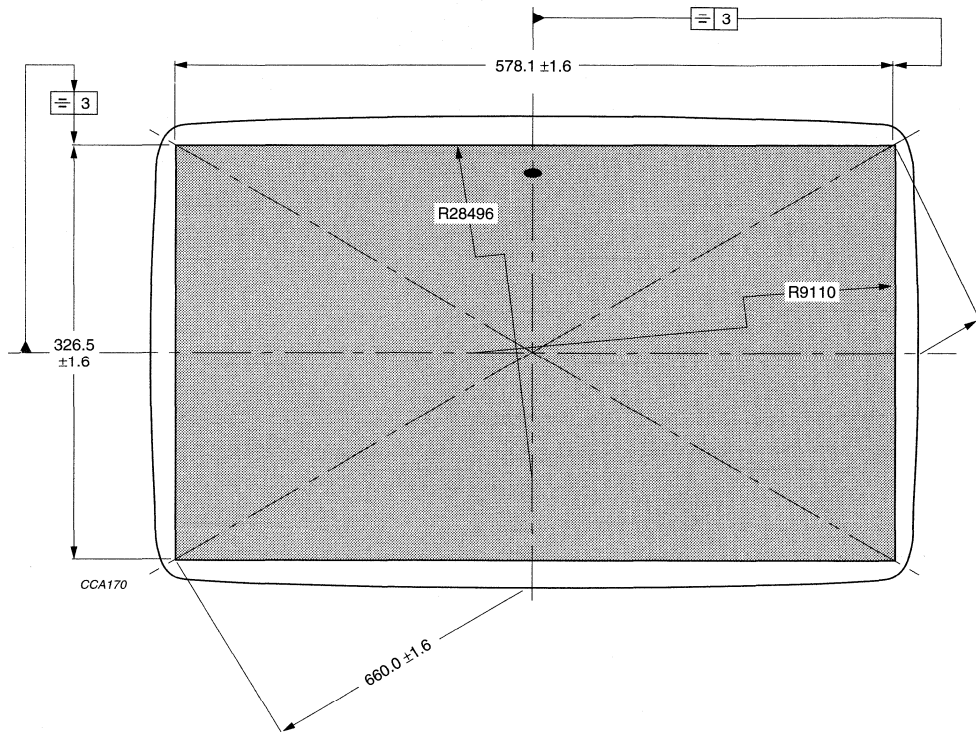
'Black Line WSF'
colour picture tube

W66ESF002X



'Black Line WSF'
colour picture tube

W66ESF002X

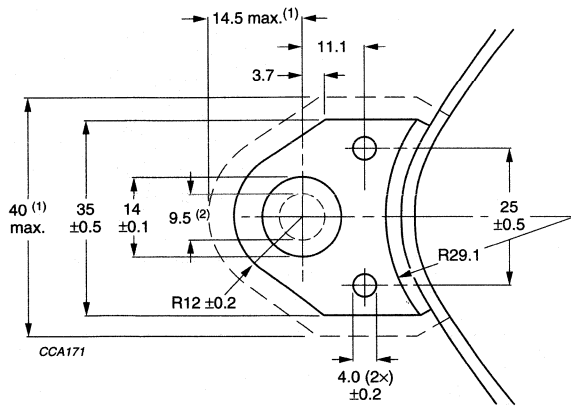


Dimensions in mm.

Fig.3 Phosphor dimensions.

'Black Line WSF'
colour picture tube

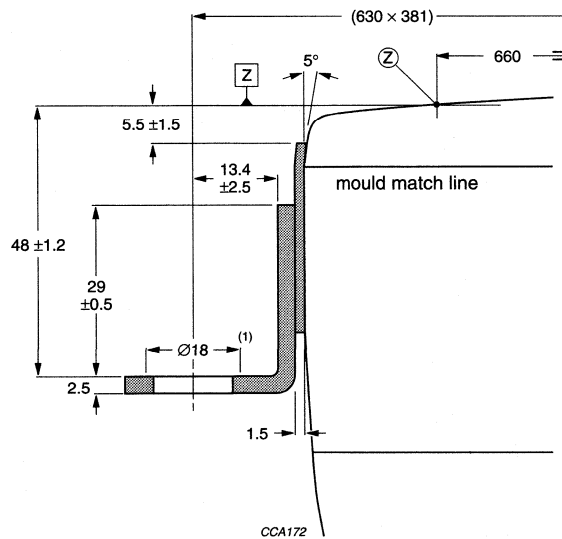
W66ESF002X



Dimensions in mm.

- (1) Minimum space to be reserved for mounting lug in cabinet.
- (2) The position of the mounting screw in the cabinet must be within a circle of 9.5 mm diameter drawn around the true geometrical positions, i.e. the corners of a rectangle of 630 mm x 381 mm.

Fig.4 Lug dimensions.



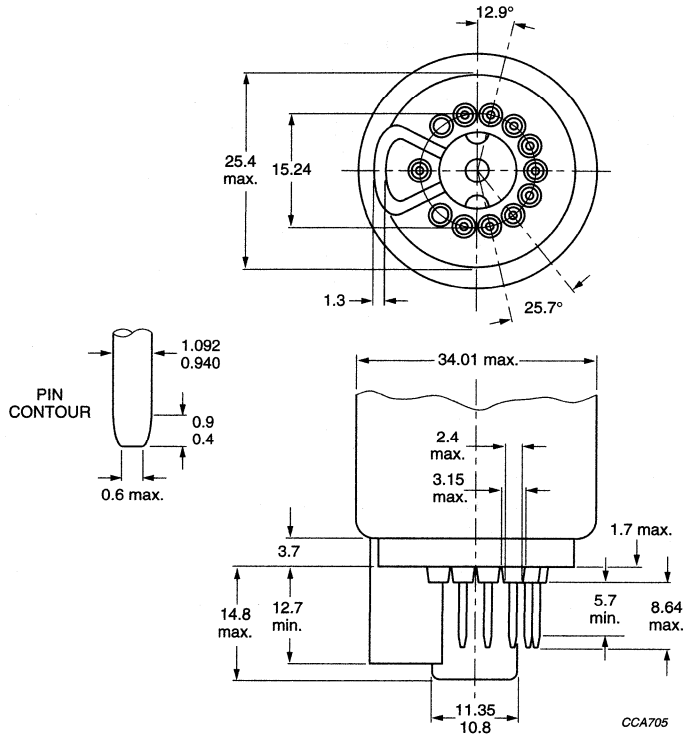
Dimensions in mm.

- (1) Plane of reference for 'Z' to lug distance.

Fig.5 Lug position.

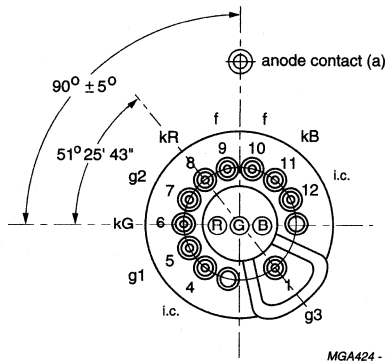
'Black Line WSF'
colour picture tube

W66ESF002X



Dimensions in mm.

Fig.6 Base JEDEC B10-302.



MGA424 - 1

i.c. = internally connected and not to be used.

Fig.7 Pin arrangement.

Remarks: to Figs 6 and 7.

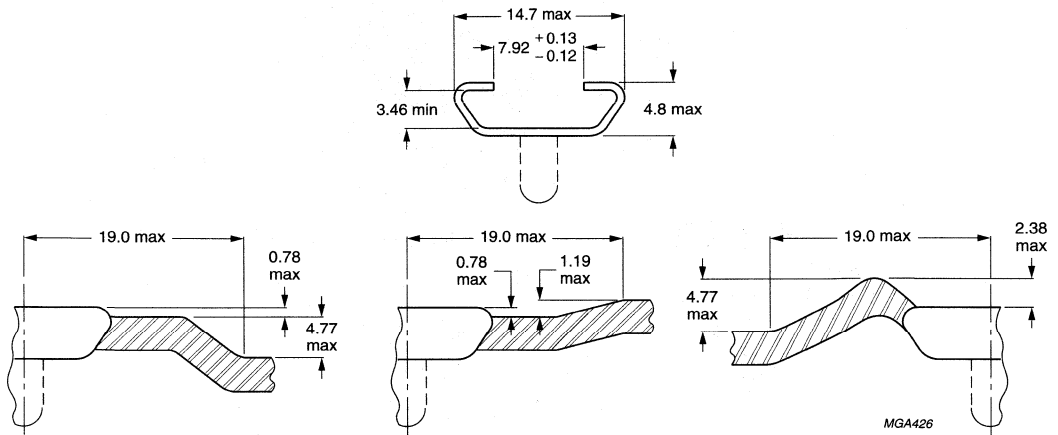
The socket for this base should not be rigidly mounted, it should have flexible leads and be allowed to move freely. After mounting the tube in the cabinet, note that the position of the base can fall within a circle having a diameter of max. 40 mm concentric with an imaginary tube axis.

The mass of the mounting socket circuitry should not exceed 150 g.

Maximum permissible torque on the tube neck is 0.04 Nm.

'Black Line WSF'
colour picture tube

W66ESF002X



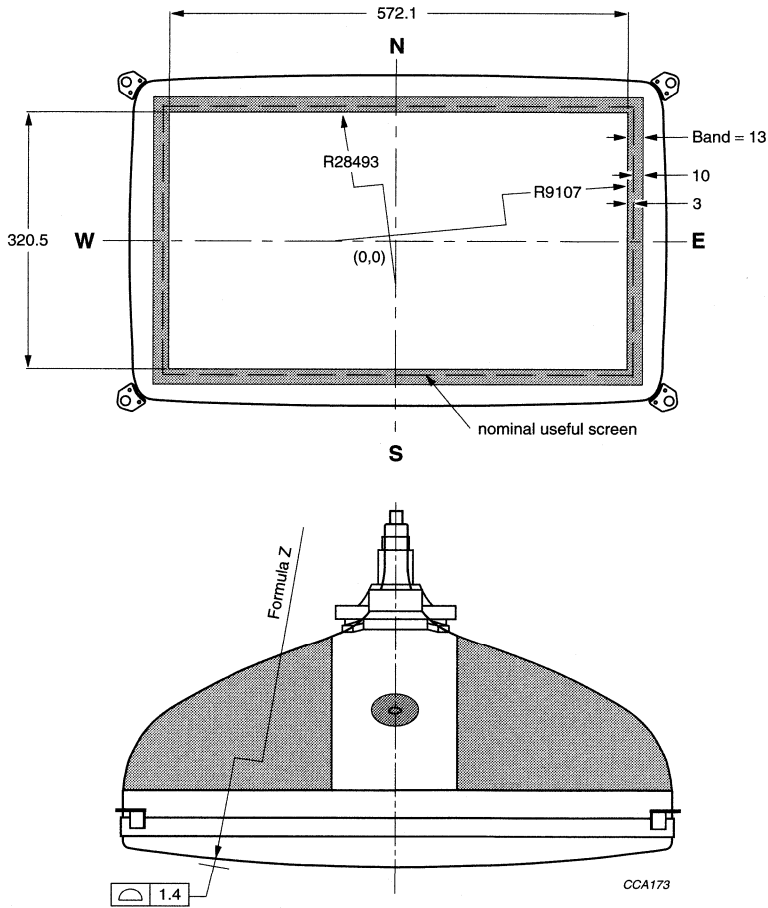
Dimensions in mm.

Fig.8 Cavity cap JEDEC J1-21, IEC 67-III-2.

'Black Line WSF'
colour picture tube

W66ESF002X

Bezel contour data



Dimensions in mm.

Nominal sagittal height (mm) of the screen with respect to the screen centre is described by the following formula:

$$Z = 2.211601 \times 10^{-4} \times X^2 + 2.205565 \times 10^{-4} \times Y^2 + 1.632638 \times 10^{-11} \times X^2 \times Y^2 - 1.105459 \times 10^{-15} \times X^2 \times Y^4 + 1.563738 \times 10^{-20} \times X^4 \times Y^4$$

Fig.9 Bezel contour details.

'Black Line WSF'
colour picture tube

W66ESF002X

Sagittal heights of the useful screen measured with respect to the end of the diagonal axis

NOMINAL USEFUL SCREEN (NUS)			3 mm INSIDE NUS			10 mm OUTSIDE NUS		
COORDINATES		SAGITTAL HEIGHT (mm)	COORDINATES		SAGITTAL HEIGHT (mm)	COORDINATES		SAGITTAL HEIGHT (mm)
X (mm)	Y (mm)		X (mm)	Y (mm)		X (mm)	Y (mm)	
0.0	0.0	24.1	0.0	0.0	23.5	0.0	0.0	26.1
0.0 ⁽¹⁾	163.3	18.2	0.0	160.3	17.9	0.0	173.3	19.5
20.0	163.2	18.2	20.0	160.2	17.8	20.0	173.2	19.4
40.0	163.2	17.9	40.0	160.2	17.5	40.0	173.2	19.2
60.0	163.2	17.5	60.0	160.2	17.1	60.0	173.2	18.7
80.0	163.1	16.8	80.0	160.1	16.5	80.0	173.1	18.1
100.0	163.1	16.0	100.0	160.1	15.7	100.0	173.1	17.3
120.0	163.0	15.1	120.0	160.0	14.7	120.0	173.0	16.4
140.0	162.9	13.9	140.0	159.9	13.6	140.0	172.9	15.2
160.0	162.8	12.6	160.0	159.8	12.2	160.0	172.8	13.9
180.0	162.7	11.1	180.0	159.7	10.7	180.0	172.7	12.4
200.0	162.6	9.4	200.0	159.6	9.1	200.0	172.6	10.7
220.0	162.4	7.6	220.0	159.4	7.2	220.0	172.4	8.9
240.0	162.2	5.6	240.0	159.2	5.2	240.0	172.2	6.8
260.0	162.1	3.3	260.0	159.1	3.0	260.0	172.1	4.6
280.0	161.9	1.0	280.0	158.9	0.6	280.0	171.9	2.2
287.6 ⁽²⁾	161.8	0.0	284.7	158.8	0.0	297.4	171.7	0.0
287.6	160.0	0.1	284.8	150.0	0.6	297.7	160.0	0.8
288.0	140.0	1.4	285.0	140.0	1.2	298.0	140.0	2.1
288.3	120.0	2.5	285.3	120.0	2.3	298.3	120.0	3.3
288.5	100.0	3.5	285.5	100.0	3.3	298.5	100.0	4.2
288.7	80.0	4.3	285.7	80.0	4.1	298.7	80.0	5.0
288.9	60.0	4.9	285.9	60.0	4.7	298.9	60.0	5.6
289.0	40.0	5.3	286.0	40.0	5.1	299.0	40.0	6.0
289.0	20.0	5.6	286.0	20.0	5.3	299.0	20.0	6.3
289.1 ⁽³⁾	0.0	5.6	286.1	0.0	5.4	299.1	0.0	6.4

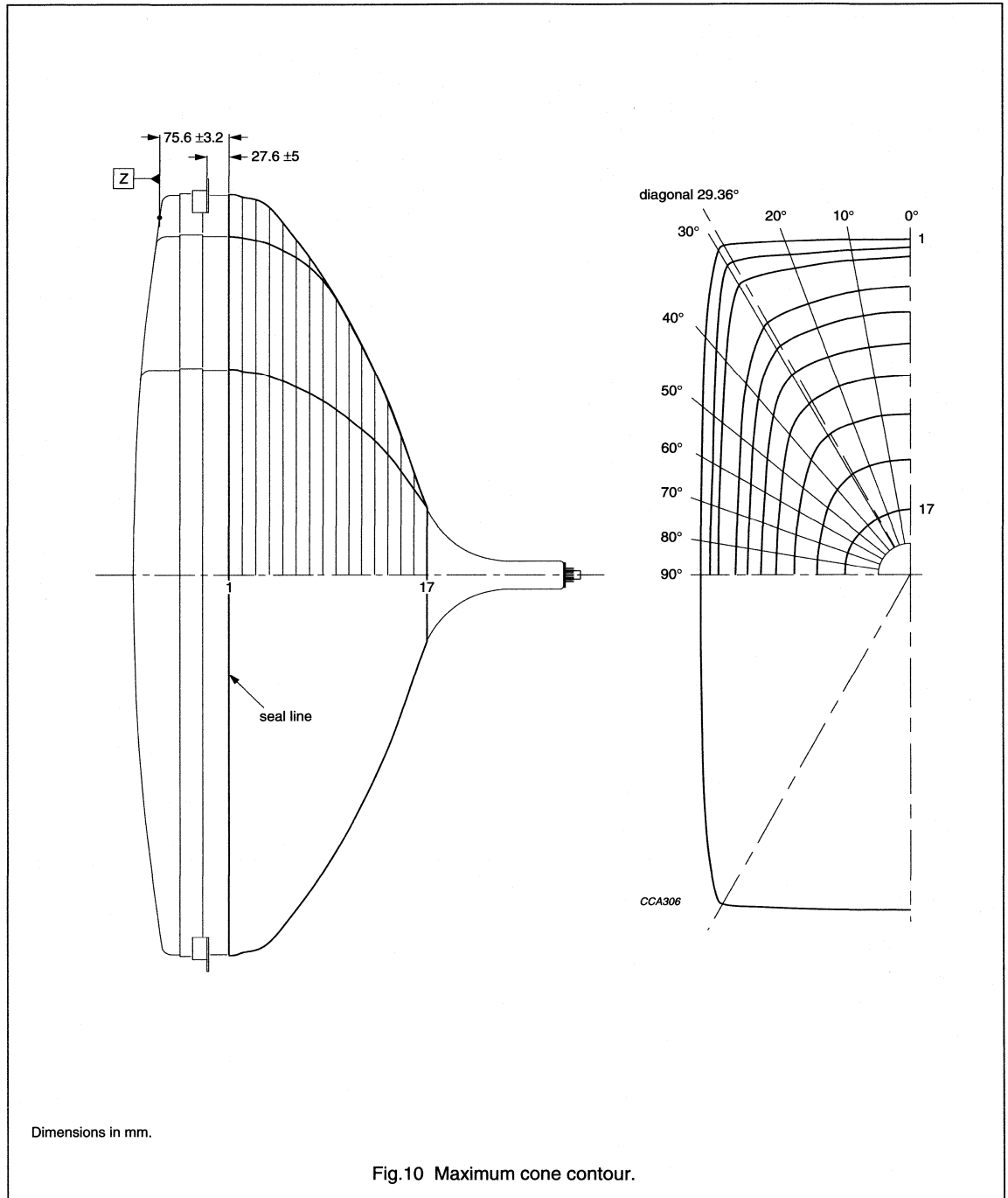
Notes

1. End of short axis.
2. End of diagonal axis.
3. End of long axis.

'Black Line WSF'
colour picture tube

W66ESF002X

Cone contour



'Black Line WSF' colour picture tube

W66ESF002X

Cone contour data

SECTION	NOMINAL DISTANCE FROM SECTION 1 (mm)	MAXIMUM DISTANCE FROM TUBE AXIS (mm)										
		0°	10°	20°	29.36°	30°	40°	50°	60°	70°	80°	90°
1	0	312.7	317.0	330.5	350.4	350.0	290.7	247.1	220.1	203.6	194.7	191.8
2	10	311.8	316.1	329.3	348.8	348.5	289.8	246.3	219.4	203.0	194.0	191.2
3	20	309.8	313.9	326.4	344.5	344.2	287.2	244.4	217.8	201.5	192.7	189.9
4	30	306.3	310.1	321.6	335.8	335.0	280.6	240.0	214.5	198.8	190.3	187.5
5	40	301.2	304.2	313.3	322.8	321.7	270.8	233.4	209.6	194.7	186.6	184.0
6	50	294.8	296.9	303.1	308.2	307.0	260.1	225.6	203.3	189.3	181.7	179.2
7	60	287.1	288.2	291.5	292.8	291.6	248.8	216.9	196.0	182.9	175.6	173.3
8	70	277.9	278.0	278.4	276.6	275.5	236.8	207.3	187.8	175.5	168.7	166.5
9	80	266.9	266.1	263.9	259.5	258.4	224.2	197.1	179.0	167.5	161.1	159.1
10	90	253.5	252.0	247.7	241.0	240.2	210.7	186.1	169.6	159.0	153.1	151.2
11	100	237.2	235.3	229.8	221.5	220.8	196.4	174.5	159.6	150.0	144.6	142.8
12	110	217.5	215.6	209.9	201.5	200.8	181.4	162.2	149.0	140.4	135.6	134.0
13	120	193.8	192.2	187.5	180.5	178.0	165.5	149.2	137.8	130.3	126.0	124.6
14	130	166.4	165.4	162.2	157.4	157.0	147.5	134.5	125.3	119.1	115.5	114.4
15	140	136.9	136.3	134.6	132.1	131.9	126.6	117.8	111.2	106.6	104.0	103.1
16	150	106.8	106.7	106.2	105.5	105.5	103.8	99.7	95.7	93.0	91.3	90.8
17	160	77.3	77.3	77.3	77.3	77.3	77.3	77.3	77.4	77.4	77.5	77.5

HANDLING

The packaging provides protection against tube damage under normal conditions of shipment or handling. Observe any instructions given on the packaging and handle accordingly. Under no circumstances should the tube assembly be subjected to accelerations greater than the values given in Table "Acceleration limits".

Acceleration limits

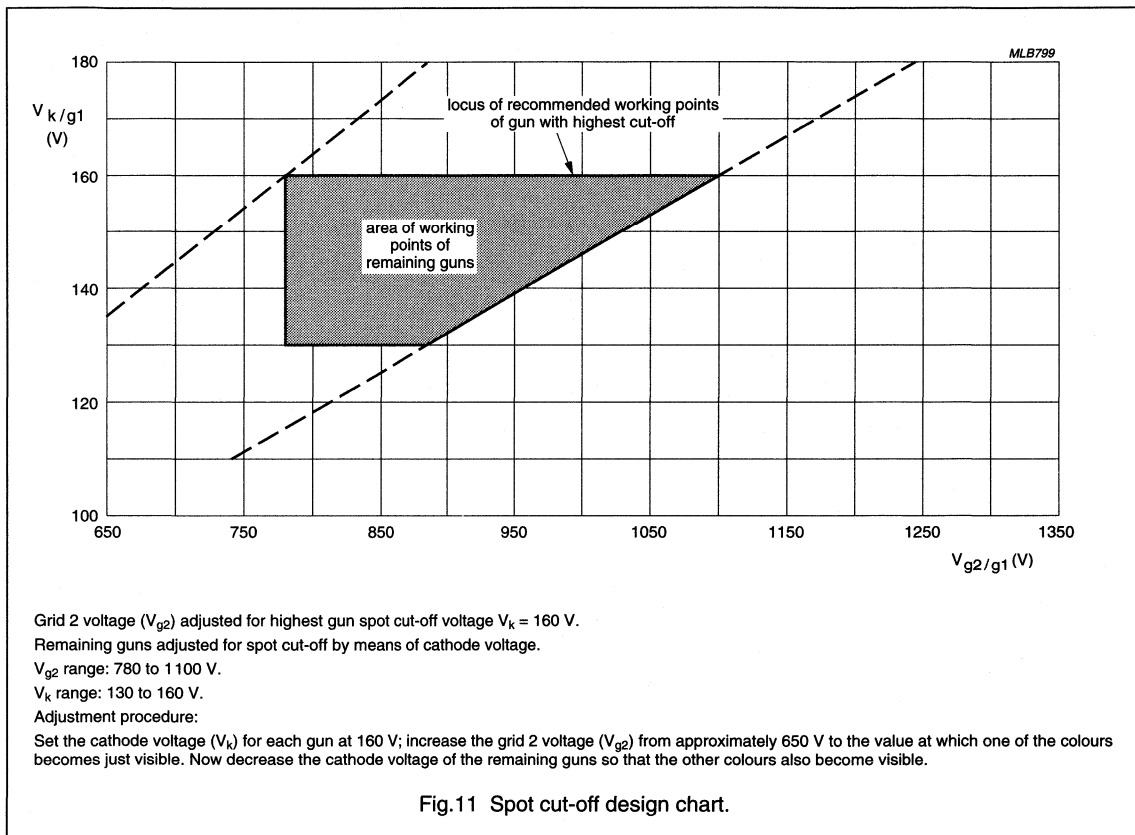
PARAMETER	CONDITIONS	MAX.	UNIT
Pulse in cone direction	≤10 ms	350	m/s ²
	≥10 ms	200	m/s ²
Pulse in all other directions		350	m/s ²

'Black Line WSF'
colour picture tube

W66ESF002X

TYPICAL OPERATING CONDITIONS

SYMBOL	PARAMETER	CONDITION	MIN.	TYP.	MAX.	UNIT
V_a	anode voltage	full screen load	–	30	–	kV
V_{g3}	grid 3 (focus electrode) voltage	screen centre	7.5	–	8.7	kV
V_{g2}	grid 2 voltage		see Fig.11			
V_f	heater voltage	tube operating	5.7	6.15	6.6	V



'Black Line WSF' colour picture tube

W66ESF002X

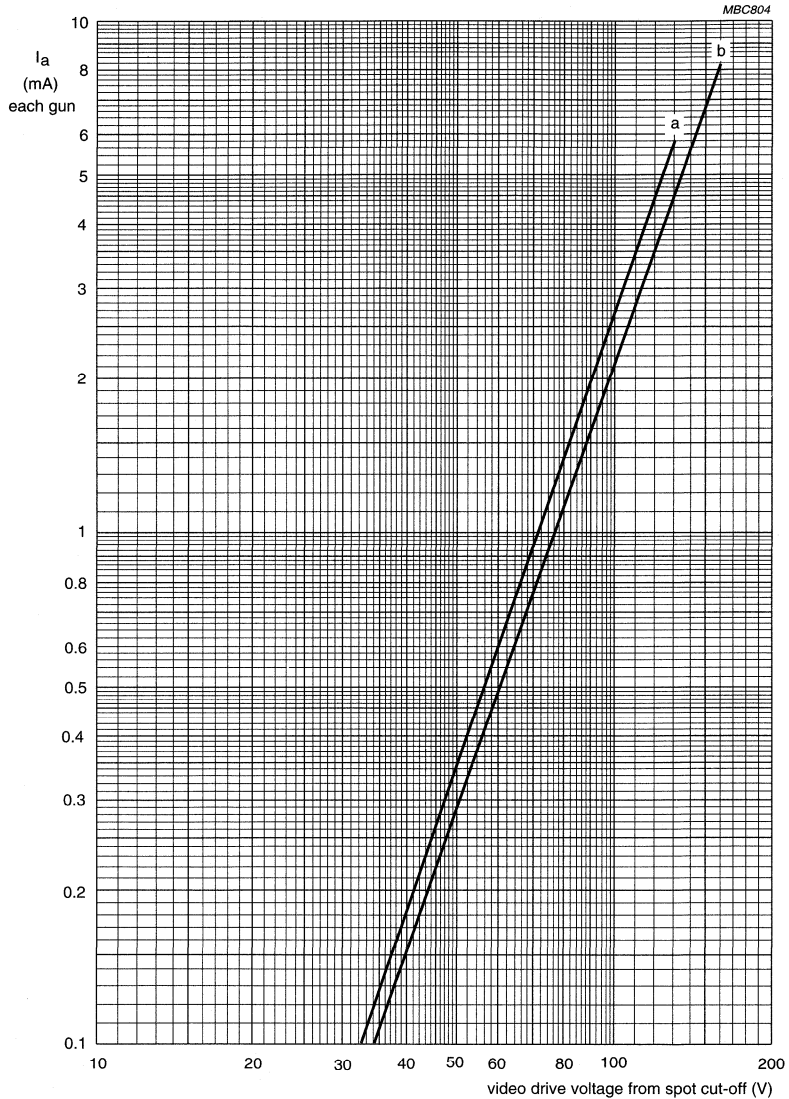
CHASSIS DESIGN VALUES

The values are valid for anode voltages between 28 and 33 kV. The voltages are specified with respect to grid 1. For optimum picture performance it is recommended that the cathodes are not driven below +1 V.

SYMBOL	PARAMETER	CONDITIONS	MIN.	TYP.	MAX.	UNIT
V_{g3}	grid 3 (focus electrode) voltage as a percentage of anode voltage		25	–	29	%
V_{g2}	grid 2 voltage	for visual extinction of focusing spot	see Fig. 11			
V_k	cathode voltage		see Figs 11 and 12			
ΔV_k	difference in cut-off voltage between guns in any tube		lowest value >80% of highest value			
V_f	heater voltage	tube operating	–	6.15	–	V
I_{g3}	grid 3 (focus electrode) current		–2	–	+2	μA
I_{g2}	grid 2 current		–2	–	+2	μA
I_{g1}	grid 1 current	under cut-off conditions	–2	–	+2	μA
I_{kf}	cathode/heater current		–2	–	+2	μA
R_{ins}	insulation resistance between each cathode and all other electrodes and heater		50	–	–	$\text{M}\Omega$
Anode currents to produce white of 6500 K + 7 MPCD (CIE coordinates $x = 0.313$; $y = 0.329$)						
PERCENTAGE OF THE TOTAL ANODE CURRENT SUPPLIED BY EACH GUN						
	red gun		–	41.3	–	%
	green gun		–	34.4	–	%
	blue gun		–	24.3	–	%
RATIO OF ANODE CURRENTS						
	red gun to green gun		0.85	1.20	1.55	
	red gun to blue gun		1.20	1.70	2.20	
	blue gun to green gun		0.40	0.70	1.00	

'Black Line WSF'
colour picture tube

W66ESF002X



$V_f = 6.15 \text{ V}$.
 $V_a = 30 \text{ kV}$.
 V_{g3} adjusted for focus.
 V_{g2} (each gun) adjusted to provide spot cut-off for $V_k = 130 \text{ V}$ (curve a) and $V_k = 160 \text{ V}$ (curve b).

Fig.12 Typical cathode drive characteristics.

'Black Line WSF'

colour picture tube

W66ESF002X

LIMITING VALUES

In accordance with the Absolute Maximum Rating System (IEC 134). Voltages are specified with respect to grid 1.

SYMBOL	PARAMETER	CONDITIONS	MIN.	MAX.	UNIT
V _a	anode voltage	notes 1 and 2	28	33	kV
		at zero beam current	–	36 ⁽³⁾	kV
I _a	long-term average anode current for three guns		–	1300	μA
	short-term average anode current for three guns		–	1800	μA
V _{g3}	focus voltage	note 4	–	12	kV
V _{g2}	grid 2 voltage	note 5	–	1400	V
V _f	heater voltage	note 6	5.7	6.6	V
Cathode voltage					
V _k	positive		–	250	V
V _k	during switch-off		–	250	V
V _k	positive operating cut-off		–	200	V
V _k	negative		–	0	V
V _{kp}	negative peak		–	–2	V
Cathode to heater voltage					
V _{kf}	positive		–	250	V
V _{kfp}	positive peak		–	300	V
V _{kf}	negative		–	0	V
V _{kfp}	negative peak		–	–50	V
Circuit limiting values					
R _{g3}	grid 3 circuit resistance		–	70	MΩ
R _{g2}	grid 2 circuit resistance		–	7	MΩ
R _{g1-k}	grid 1 to cathode circuit resistance		–	750	kΩ

Notes

1. During adjustment on the production line this value is likely to be surpassed considerably. It is therefore strongly recommended to first make the necessary adjustments for normal operation without the picture tube.
2. Operation of the tube at lower voltages impairs the luminance and resolution and could impair convergence.
3. This value is an absolute maximum.
4. During flash-over maximum 20 kV is allowed (see Chapter "Flashover protection").
5. During adjustment on the production line a maximum value of 1800 V is allowed.
6. For maximum cathode life and optimum performance it is recommended that the heater supply is designed for 6.15 V at average beam current, for most applications this equals 6.3 V at zero beam current. **The heater supply source impedance must not be less than 2 Ω.**

'Black Line WSF' colour picture tube

W66ESF002X

FLASHOVER PROTECTION

With the high voltage used with this tube (max. 36 kV) internal flashovers may occur. As a result of Soft-Flash technology these flashover currents are limited to approximately 100 A offering higher reliability, optimum circuit protection and component savings.

Primary protective circuitry using properly grounded spark gaps and series isolation resistors (preferably carbon composition) is still necessary to prevent tube damage.

The spark gaps should be connected to all picture tube electrodes at the socket in accordance with Fig.13; they are not required on the heater pins. No other connections between the outer conductive coating and the chassis are permissible. The spark gaps should be designed for a breakdown voltage of less than 20 kV at the focus electrode (g3) and less than 2 kV at the other electrodes, both at an atmospheric pressure of 100 kPa.

The values of the series isolation resistors should be as high as possible (min. 0.5 kΩ) without causing deterioration of the circuit performance. The resistors should be able to withstand an instantaneous surge of 20 kV for the focusing circuit and 12 kV for the remaining circuits without arcing.

To guarantee the soft flash behaviour, the internal dynamic resistance of the tube during flashover is a minimum 400 Ω and a maximum 800 Ω.

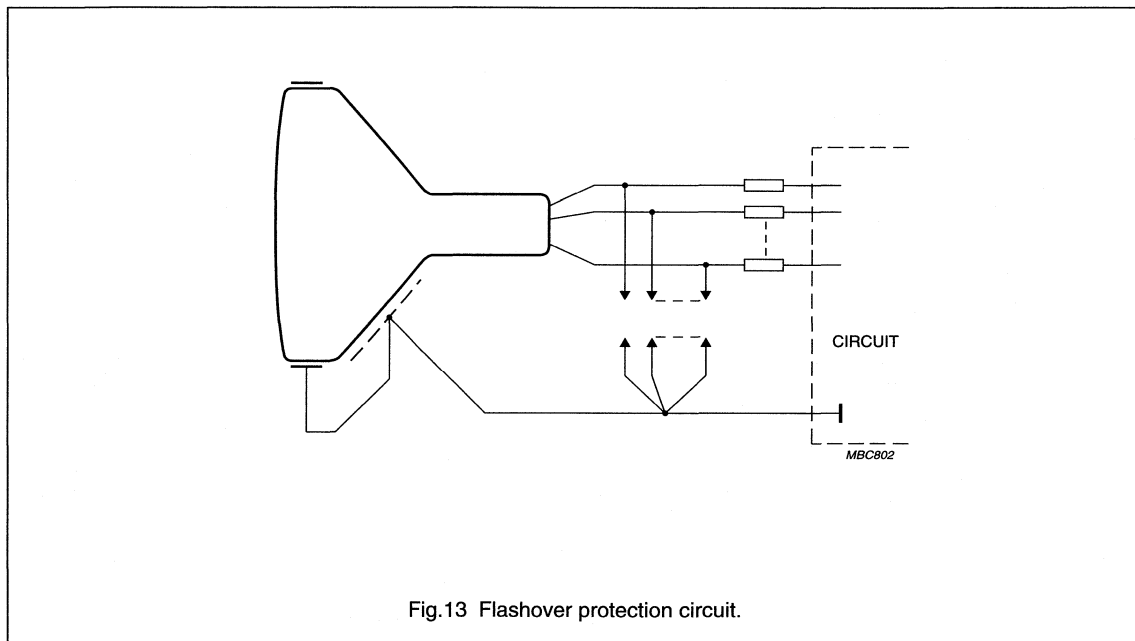


Fig.13 Flashover protection circuit.

'Black Line WSF'

colour picture tube

W66ESF002X

X-RADIATION

Maximum anode voltage at which the X-radiation emitted will not exceed 0.5 mR/h at an anode current of 300 μ A.

PARAMETER	VALUE
Entire tube; note 1	38.1 kV
Face-plate only	38.9 kV

Note

1. This rating applies only if the anode connector used by the set maker provides the necessary attenuation to reduce the X-radiation from the anode contact by a factor equal to the difference between the anode button iso-exposure-rate limit curve and the iso-exposure-rate limit curve for the entire tube.

WARNING

If the value for the tube face only is used as design criteria, adequate shielding must be provided in the TV receiver for the anode contact and/or certain portions of the tube funnel and panel sidewalls to ensure that the X-radiation from the TV receiver is attenuated to a value equal to or lower than that specified for the face of the tube.

The X-radiation emitted from this picture tube, as measured in accordance with the procedure of "JEDEC Publications No.64D" will not exceed 0.5 mR/h throughout the useful life of the tube when operated within the design-maximum ratings.

The tube should not be operated beyond its design-maximum ratings stated above, but its X-radiation will not exceed 0.5 mR/h for anode voltage and current combinations given by the iso-exposure-rate limit characteristics as shown in Fig.15.

Operation above the values shown by the curve may result in failure of the TV receiver to comply with the "Federal Performance Standard of the U.S. for Television Receivers, Section 1020.10 of Part 1020 of Title 21, Code of Federal Regulation".

Maximum X-radiation as a function of anode voltage at 300 μ A current is shown by Fig.14. X-radiation at a constant anode voltage varies linearly with anode current.

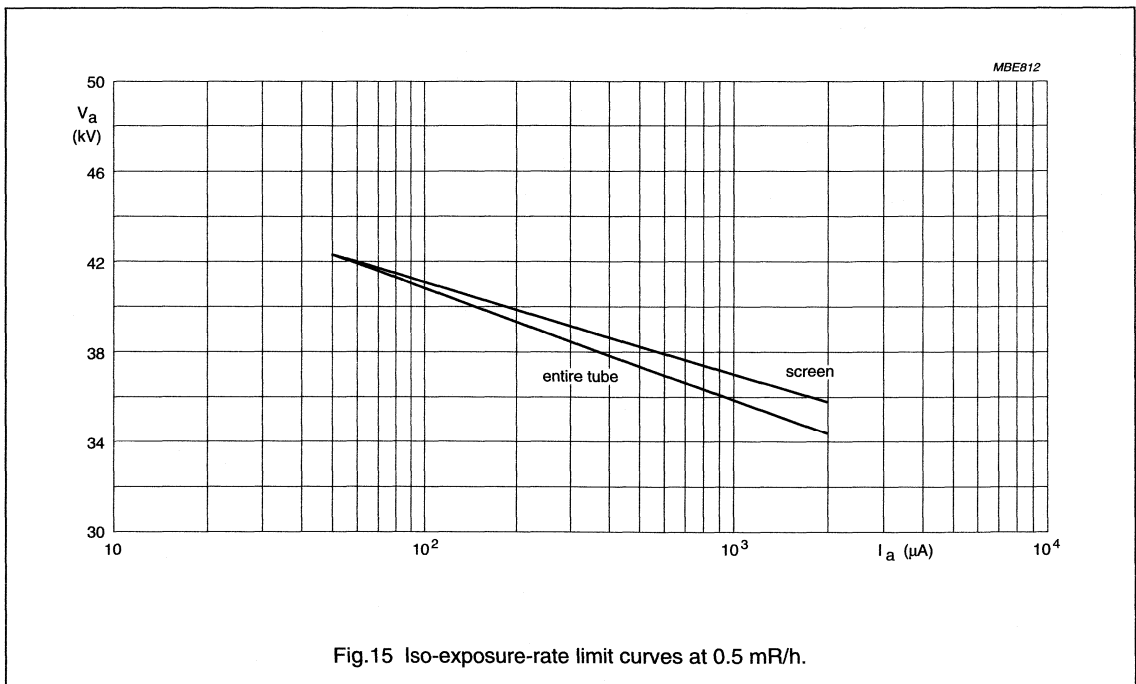
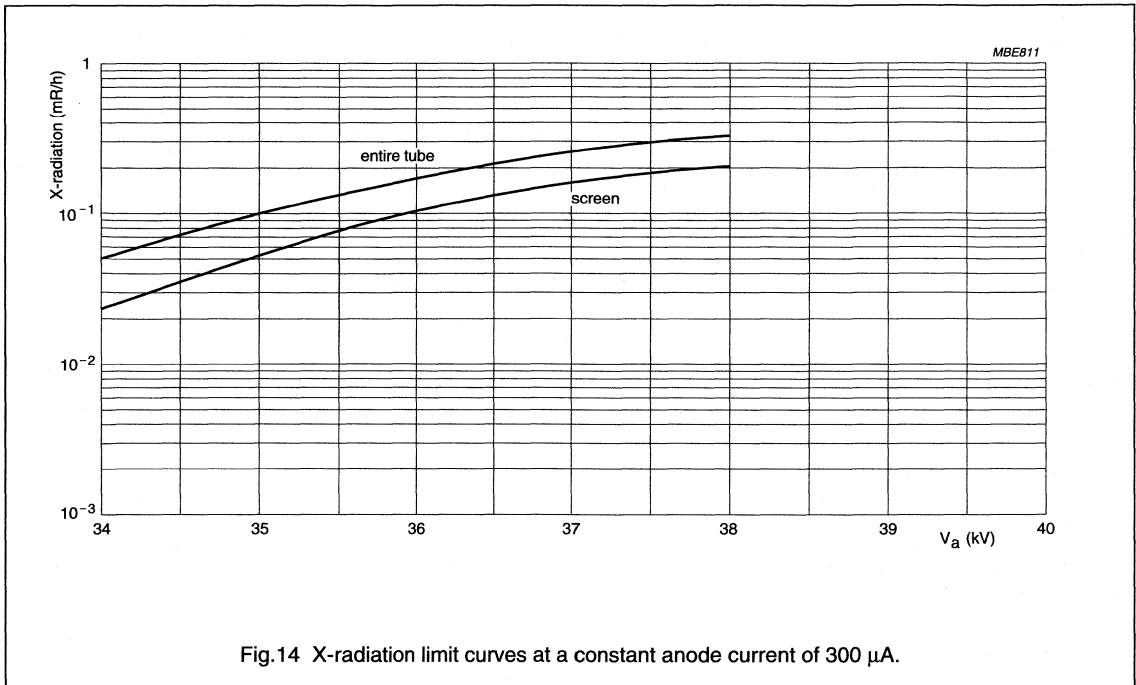
WARNING

The cathode ray tube is intrinsically safe in accordance with "Appendix III Röntgenverordnung".

Eigensichere Kathodenstrahlröhre nach "Anlage III Röntgenverordnung".

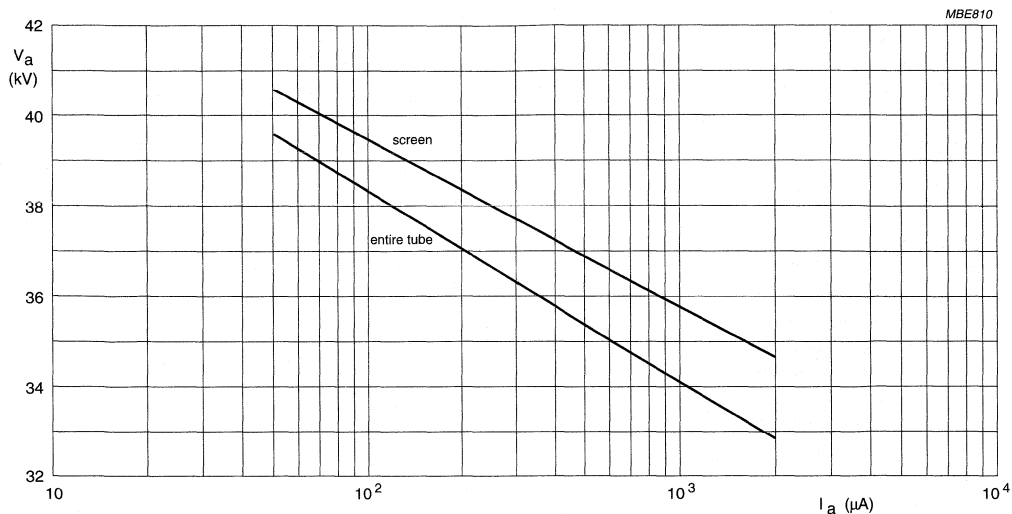
'Black Line WSF'
colour picture tube

W66ESF002X



'Black Line WSF'
colour picture tube

W66ESF002X



The tube does not emit X-radiation above 1 $\mu\text{Sv/h}$ when operated at 33 kV and 1.8 mA. The X-radiation emitted will also not exceed 1 $\mu\text{Sv/h}$ for anode voltage and current combinations shown in the iso-exposure-rate limit curve.

Fig.16 1 $\mu\text{Sv/h}$ iso-exposure-rate limit curve.

MAGNETIC FIELD CONDITIONS

This tube is designed for world wide use.

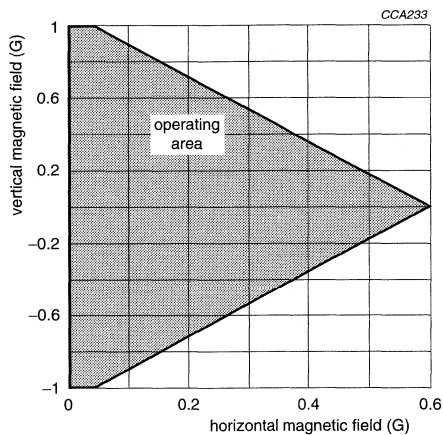


Fig.17 Allowable horizontal and vertical magnetic fields operation area.

'Black Line WSF' colour picture tube

W66ESF002X

DEGAUSSING

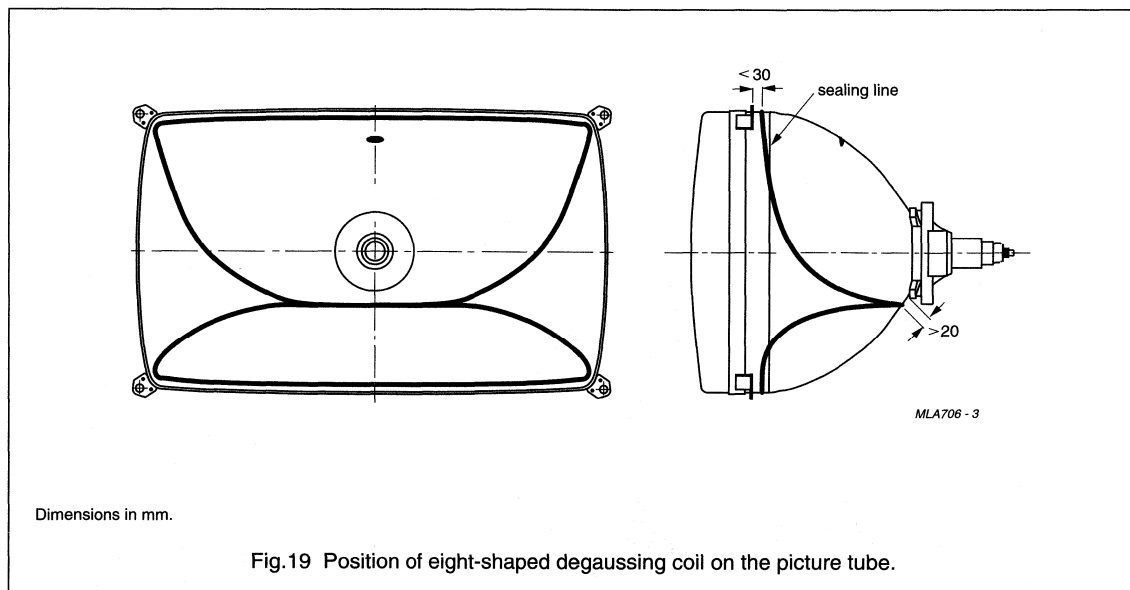
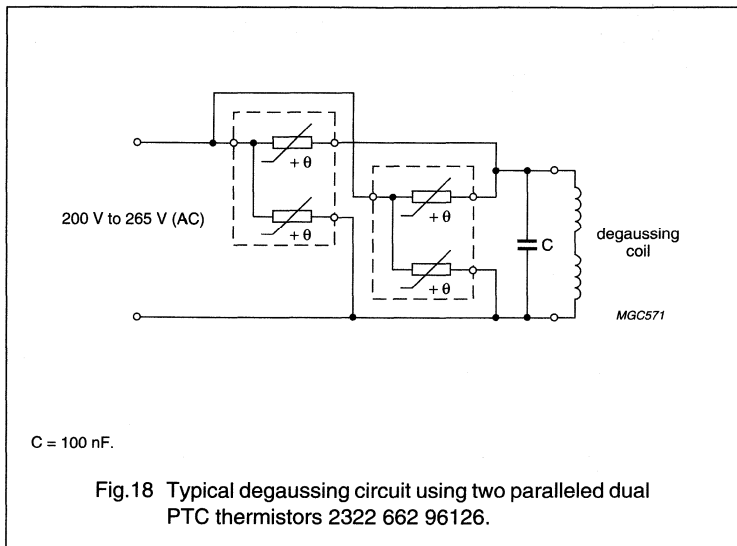
The picture tube is provided with an internal magnetic shield. This shield and the shadow mask with its suspension system should be provided with an automatic degaussing system, consisting of coil(s) covering the top and bottom cone parts.

For proper degaussing an initial magnetomotive force (MMF) of 450 ampere-turns is required in each coil. This MMF must be gradually decreased (maximum 20% per half period) by appropriate circuitry. To prevent beam landing disturbance by line frequency currents induced in the degaussing coils, these coils should be shunted by a capacitor of sufficiently high value. In steady state, no significant MMF should remain in the coils (≤ 0.15 ampere-turns).

If single-phase power rectification is employed in the TV circuitry, provision should be included to prevent asymmetric distortion of the AC voltage applied to the degaussing circuit due to high DC inrush currents.

Data of degaussing coils

PARAMETER	TYP.	UNIT
Circumference	308	cm
Number of turns	60	
Copper wire diameter	0.45	mm
Resistance	21.5	Ω



'Black Line WSF'
colour picture tube assembly**W66ESF002X13****FEATURES**

- 50 Hz vertical repetition
- Factory preset tube/coil assembly
- Self-converging and north-south raster correction free
- Scan Velocity Modulation (SVM) for improved picture sharpness
- 66 cm, 106° colour picture tube W66ESF002X
- Double mussel deflection unit.

QUICK REFERENCE DATA

PARAMETER	TYP.	UNIT
Deflection angle	106	deg
Nominal useful screen diagonal	66	cm
Overall length	<47.3	cm
Glass transmission	40	%
Neck diameter	32.8	mm
Anode voltage	30	kV

Black Line WSF

'Black Line WSF' colour picture tube assembly

W66ESF002X13

DEFLECTION UNIT DATA

All measurements are performed at a horizontal frequency of 16 kHz.

PARAMETER	CONDITIONS	MIN.	TYP.	MAX.	UNIT
Horizontal deflection coils					
Inductance		1.26	1.31	1.36	mH
Resistance	$T_{amb} = 25\text{ }^{\circ}\text{C}$	1.39	1.46	1.53	Ω
Magnetic flux		6.67	7.10	7.53	mWb
Deflection current (peak-to-peak value)	edge-to-edge; $V_a = 30\text{ kV}$	–	5.42	–	A
Average copper temperature	note 1	–	–	110	$^{\circ}\text{C}$
Temperature rise (ΔT)	$V_a = 30\text{ kV}$; $I_a = \text{short term average value}$	–	40	–	$^{\circ}\text{C}$
Vertical deflection coils					
Inductance		8.38	8.82	9.26	mH
Resistance	$T_{amb} = 25\text{ }^{\circ}\text{C}$	5.96	6.27	6.58	Ω
Vertical voltage		7.99	8.59	9.19	V
Deflection current (peak-to-peak value)	edge-to-edge; $V_a = 30\text{ kV}$	–	1.37	–	A
Average copper temperature	note 1	–	–	110	$^{\circ}\text{C}$
Temperature rise (ΔT)	$V_a = 30\text{ kV}$; $I_a = \text{short term average value}$	–	27	–	$^{\circ}\text{C}$
SVM coils					
Inductance		1.81	1.85	1.89	μH
Resistance		0.63	0.90	1.17	Ω
Sensitivity					
centre		1.39	1.45	1.51	mm/A
edge		2.98	3.14	3.30	mm/A
Deflection unit					
Permissible DC voltage					
between horizontal and vertical coils		–	–	2000	V
between horizontal and yoke ring		–	–	2000	V
between vertical coils and yoke ring		–	–	300	V
Insulation resistance	1 kV (DC)				
between horizontal and vertical coils		500	–	–	M Ω
between horizontal coil and yoke ring		500	–	–	M Ω
between vertical coil and yoke ring		10	–	–	M Ω
Cross-talk from horizontal to vertical coils	1 V; 500 Hz applied to the horizontal deflection coils	–	–	45	mV

Note

1. Measured by the resistance method.

'Black Line WSF'
colour picture tube assembly

W66ESF002X13

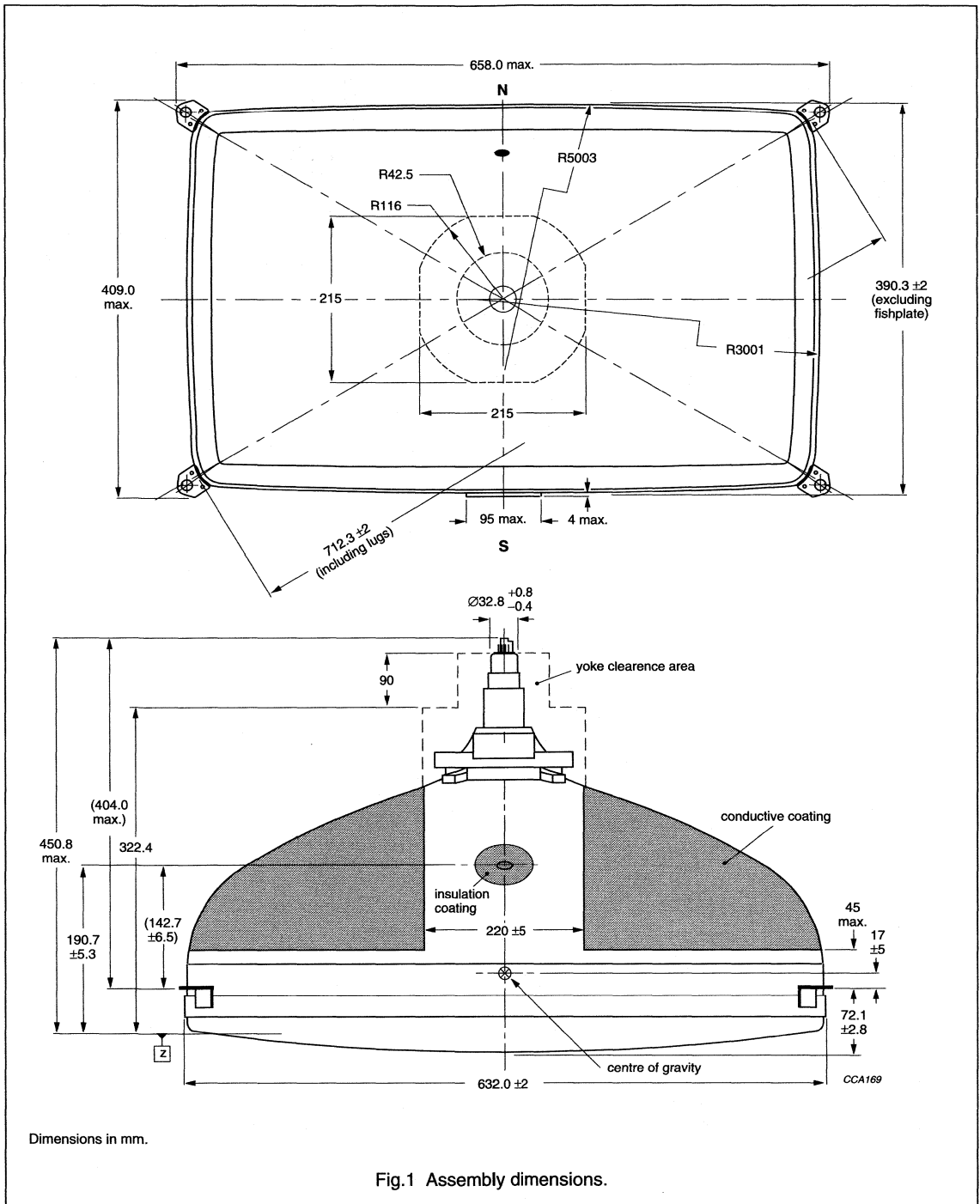
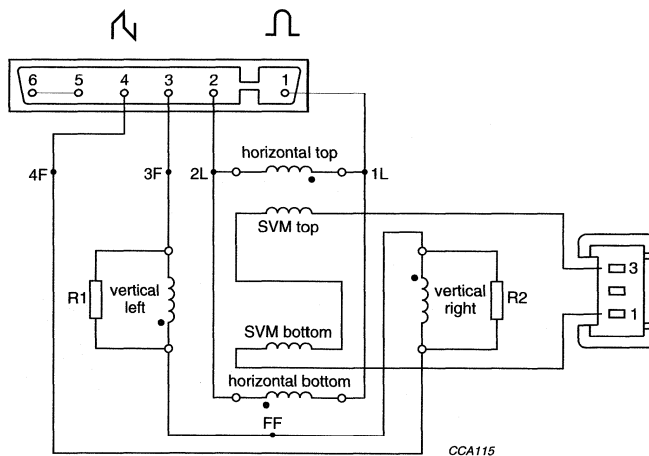
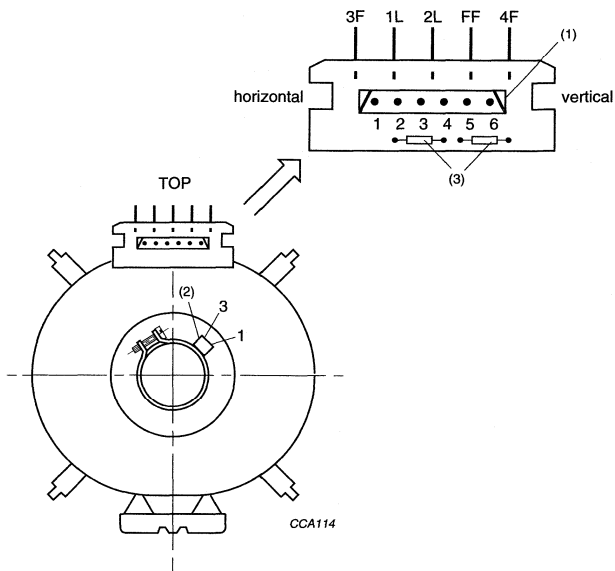


Fig.1 Assembly dimensions.

'Black Line WSF'
colour picture tube assembly

W66ESF002X13



The beginning of the windings is indicated with •

- (1) Main connector: Stocko series MKS 2820; matching socket connector Stocko series MKF 2800.
- (2) SVM connector: Stocko system RFK 1 (MKS series); matching connector MKF17033, MKF17330 or MKF17360 series.
- (3) $R1 = R2 = 100 \Omega, 0.25 W.$

Fig.2 Deflection coil connections.

**'Black Line WSF'
colour picture tube assembly****W66ESF002X14****FEATURES**

- 50 Hz vertical repetition
- Factory preset tube/coil assembly
- Self-converging and north-south raster correction free
- Scan Velocity Modulation (SVM) for improved picture sharpness
- 66 cm, 106° colour picture tube W66ESF002X
- Double mussel deflection unit.

QUICK REFERENCE DATA

PARAMETER	TYP.	UNIT
Deflection angle	106	deg
Nominal useful screen diagonal	66	cm
Overall length	<47.3	cm
Glass transmission	40	%
Neck diameter	32.8	mm
Anode voltage	30	kV

Black Line WSF

'Black Line WSF'

colour picture tube assembly

W66ESF002X14

DEFLECTION UNIT DATA

All measurements are performed at a horizontal frequency of 16 kHz.

PARAMETER	CONDITIONS	MIN.	TYP.	MAX.	UNIT
Horizontal deflection coils					
Inductance		1.12	1.17	1.22	mH
Resistance	$T_{amb} = 25\text{ }^{\circ}\text{C}$	1.27	1.34	1.41	Ω
Magnetic flux		6.31	6.72	7.12	mWb
Deflection current (peak-to-peak value)	edge-to-edge; $V_a = 30\text{ kV}$	–	5.74	–	A
Average copper temperature	note 1	–	–	110	$^{\circ}\text{C}$
Temperature rise (ΔT)	$V_a = 30\text{ kV};$ $I_a = \text{short term average value}$	–	40	–	$^{\circ}\text{C}$
Vertical deflection coils					
Inductance		8.38	8.82	9.26	mH
Resistance	$T_{amb} = 25\text{ }^{\circ}\text{C}$	5.96	6.27	6.58	Ω
Vertical voltage		7.99	8.59	9.19	V
Deflection current (peak-to-peak value)	edge-to-edge; $V_a = 30\text{ kV}$	–	1.37	–	A
Average copper temperature	note 1	–	–	110	$^{\circ}\text{C}$
Temperature rise (ΔT)	$V_a = 30\text{ kV};$ $I_a = \text{short term average value}$	–	27	–	$^{\circ}\text{C}$
SVM coils					
Inductance		1.81	1.85	1.89	μH
Resistance		0.63	0.90	1.17	Ω
Sensitivity					
centre		1.39	1.45	1.51	mm/A
edge		2.98	3.14	3.30	mm/A
Deflection unit					
Permissible DC voltage					
between horizontal and vertical coils		–	–	2000	V
between horizontal and yoke ring		–	–	2000	V
between vertical coils and yoke ring		–	–	300	V
Insulation resistance	1 kV (DC)				
between horizontal and vertical coils		500	–	–	$\text{M}\Omega$
between horizontal coil and yoke ring		500	–	–	$\text{M}\Omega$
between vertical coil and yoke ring		10	–	–	$\text{M}\Omega$
Cross-talk from horizontal to vertical coils	1 V; 500 Hz applied to the horizontal deflection coils	–	–	45	mV

Note

1. Measured by the resistance method.

'Black Line WSF'
colour picture tube assembly

W66ESF002X14

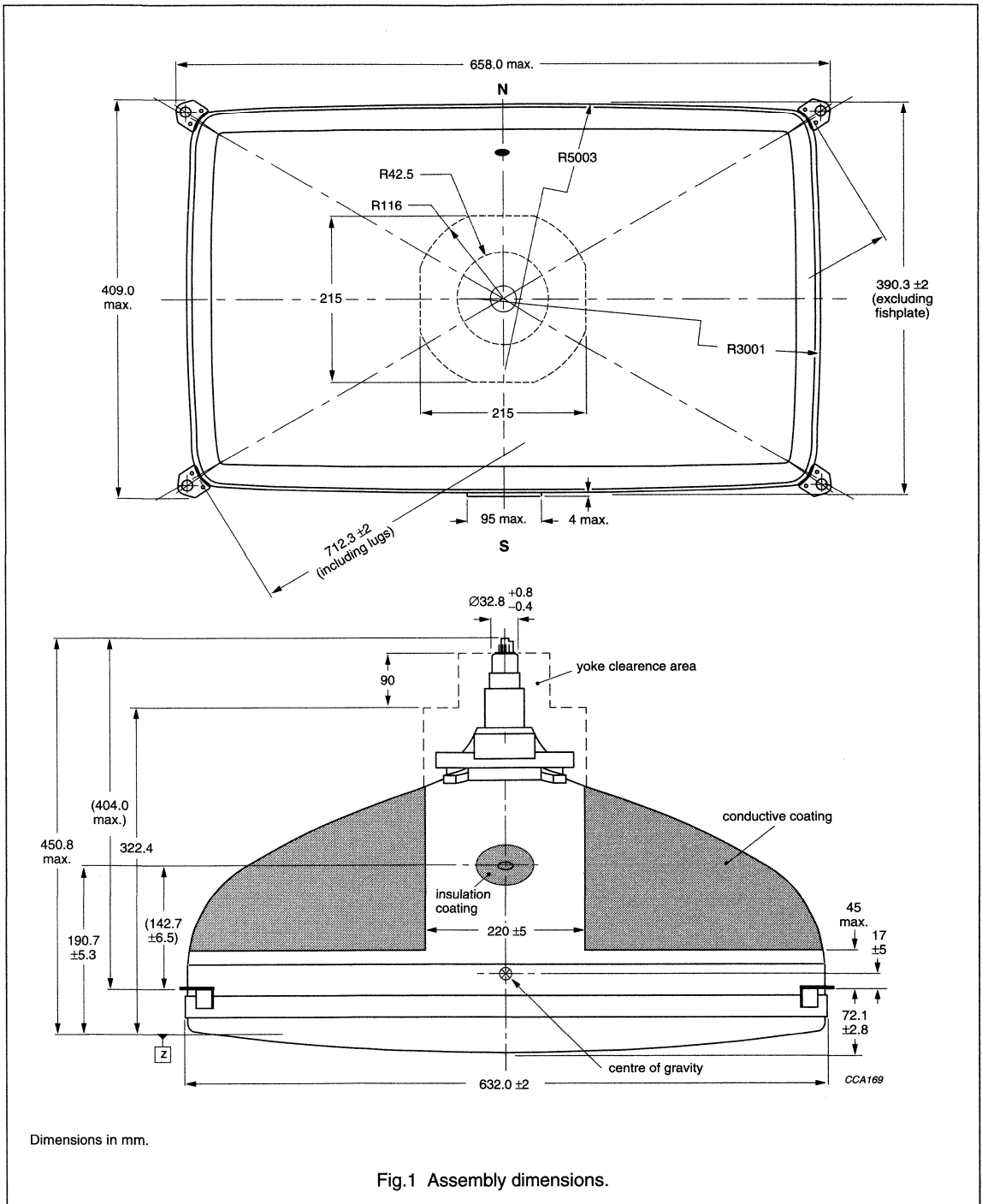
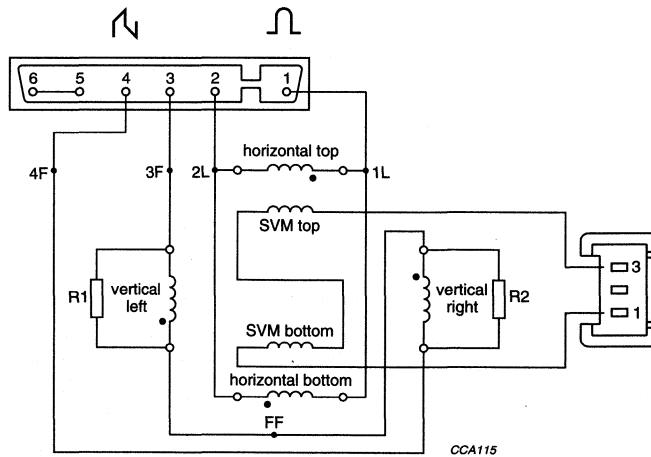
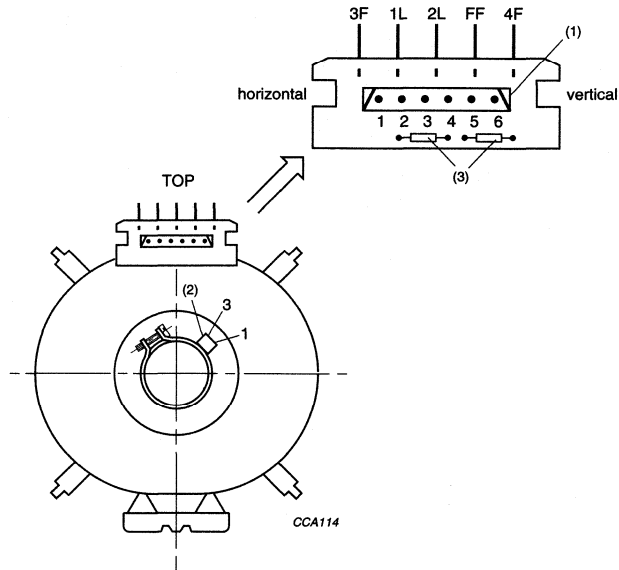


Fig.1 Assembly dimensions.

'Black Line WSF'
colour picture tube assembly

W66ESF002X14



The beginning of the windings is indicated with •

- (1) Main connector: Stocko series MKS 2820; matching socket connector Stocko series MKF 2800.
- (2) SVM connector: Stocko system RFK 1 (MKS series); matching connector MKF17033, MKF17330 or MKF17360 series.
- (3) $R1 = R2 = 100 \Omega, 0.25 \text{ W}$.

Fig.2 W66ESF002X14 deflection coils.

**'Black Line WSF'
colour picture tube assembly****W66ESF002X44****FEATURES**

- 100 Hz vertical repetition
- Factory preset tube/coil assembly
- Self-converging and north-south raster correction free
- Scan Velocity Modulation (SVM) for improved picture sharpness
- 66 cm, 106° colour picture tube W66ESF002X
- Double mussel deflection unit.

QUICK REFERENCE DATA

PARAMETER	TYP.	UNIT
Deflection angle	106	deg
Nominal useful screen diagonal	66	cm
Overall length	<47.3	cm
Glass transmission	40	%
Neck diameter	32.8	mm
Anode voltage	30	kV

Black Line WSF

'Black Line WSF'

colour picture tube assembly

W66ESF002X44

DEFLECTION UNIT DATA

All measurements are performed at a horizontal frequency of 32 kHz.

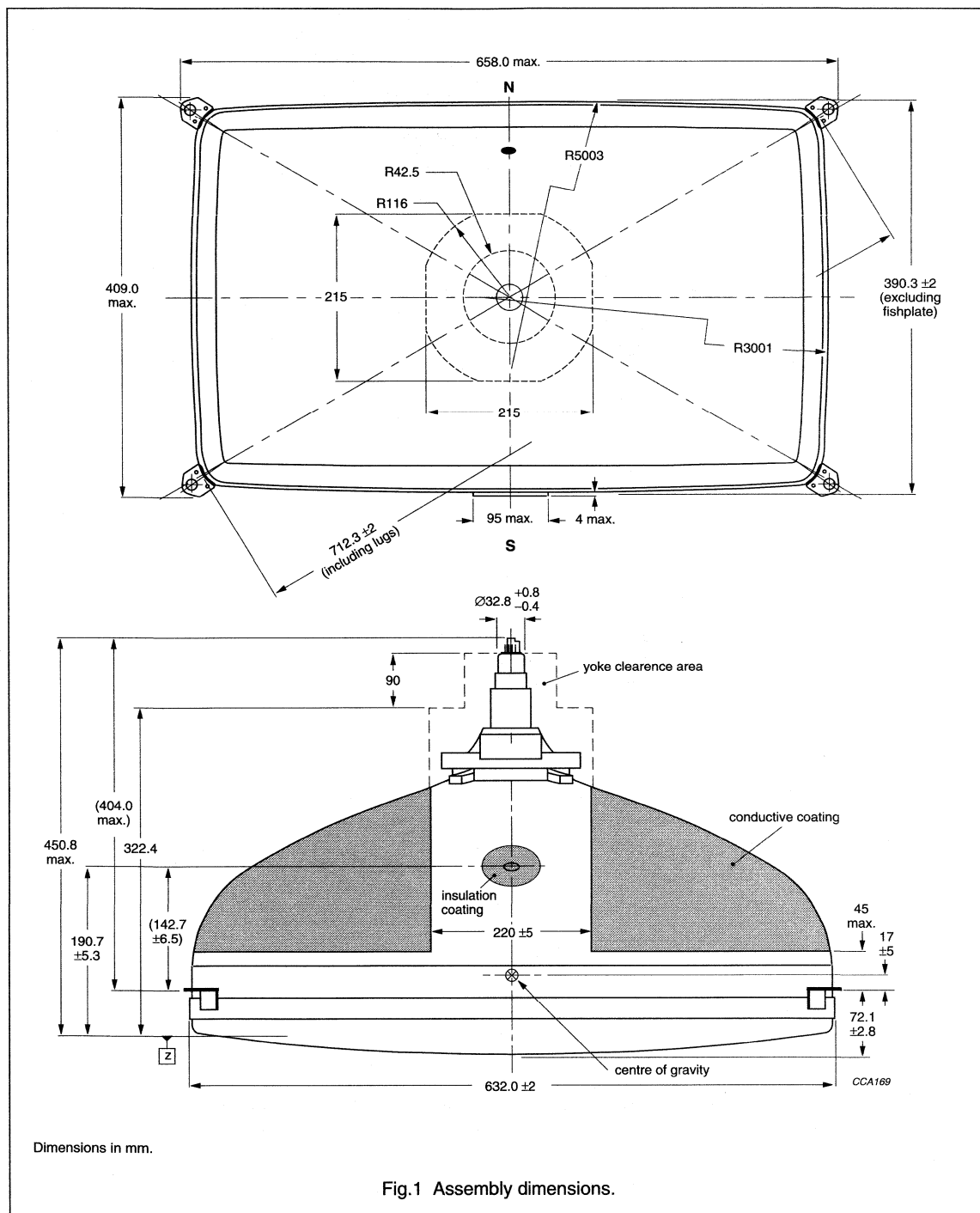
PARAMETER	CONDITIONS	MIN.	TYP.	MAX.	UNIT
Horizontal deflection coils					
Inductance		0.29	0.30	0.31	mH
Resistance	$T_{amb} = 25\text{ }^{\circ}\text{C}$	0.32	0.34	0.36	Ω
Magnetic flux		3.17	3.37	3.57	mWb
Deflection current (peak-to-peak value)	edge-to-edge; $V_a = 30\text{ kV}$	–	11.2	–	A
Average copper temperature	note 1	–	–	110	$^{\circ}\text{C}$
Temperature rise (ΔT)	$V_a = 30\text{ kV};$ $I_a = \text{short term average value}$	–	50	–	$^{\circ}\text{C}$
Vertical deflection coils					
Inductance		8.38	8.82	9.26	mH
Resistance	$T_{amb} = 25\text{ }^{\circ}\text{C}$	5.96	6.27	6.58	Ω
Vertical voltage		7.99	8.59	9.19	V
Deflection current (peak-to-peak value)	edge-to-edge; $V_a = 30\text{ kV}$	–	1.37	–	A
Average copper temperature	note 1	–	–	110	$^{\circ}\text{C}$
Temperature rise (ΔT)	$V_a = 30\text{ kV};$ $I_a = \text{short term average value}$	–	35	–	$^{\circ}\text{C}$
SVM coils					
Inductance		1.81	1.85	1.89	μH
Resistance		0.63	0.90	1.17	Ω
Sensitivity					
centre		1.39	1.45	1.51	mm/A
edge		2.98	3.14	3.30	mm/A
Deflection unit					
Permissible DC voltage					
between horizontal and vertical coils		–	–	2000	V
between horizontal and yoke ring		–	–	2000	V
between vertical coils and yoke ring		–	–	300	V
Insulation resistance	1 kV (DC)				
between horizontal and vertical coils		500	–	–	M Ω
between horizontal coil and yoke ring		500	–	–	M Ω
between vertical coil and yoke ring		10	–	–	M Ω
Cross-talk from horizontal to vertical coils	1 V; 500 Hz applied to the horizontal deflection coils	–	–	45	mV

Note

1. Measured by the resistance method.

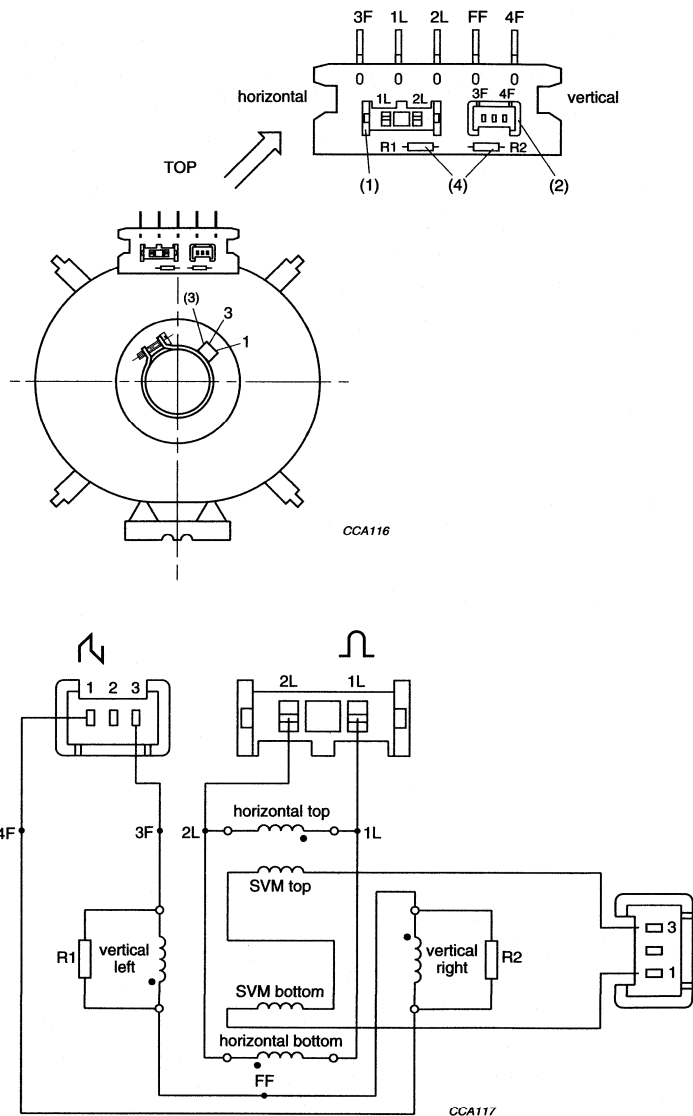
'Black Line WSF'
colour picture tube assembly

W66ESF002X44



'Black Line WSF'
colour picture tube assembly

W66ESF002X44



The beginning of the windings is indicated with •

- (1) Horizontal connector: AMP Ultrex connection system; connector 2-173270-2; matching connector 2-173268-2.
- (2) Vertical connector: Stocko system RFK1 (MKS series); matching connector MKF17033, MKF17330 or MKF17360 series.
- (3) SVM connector: Stocko system RFK1 (MKS series); matching connector MKF17033, MKF17330 or MKF17360 series.
- (4) R1 = R2 = 100 Ω, 0.25 W.

Fig.2 W66ESF002X44 deflection coils.

'Black Line WSF' colour picture tube

W76ESF031X

FEATURES

- 'Super flat' screen
- Screen contour F2
- New 16 : 9 screen ratio
- BLACK MATRIX technology
- High contrast
- High gloss, low transmission screen
- DAF gun with IFL main lens, dynamic astigmatism and focus, and multi-stage prefocusing
- Invar Plus mask with corner suspension
- Pigmented phosphors
 - Cd-free green
 - Deep red
- Quick-heating low-power cathodes
- Soft-flash
- Slotted shadow mask optimized for minimum moiré at 525 and 625 line systems
- Internal magnetic shield
- Worldwide application
- Internal multipole
- Rimband type mini-P
- N/S raster correction free.

QUICK REFERENCE DATA

PARAMETER	TYP.	UNIT
Deflection angle	106	deg
Nominal useful screen diagonal	76	cm
Overall length	<52.4	cm
Glass transmission	45.7	%
Neck diameter	32.8	mm
Heater voltage	6.15	V
Heater current	315	mA
Anode voltage	30	kV
Focus voltage	29% of anode voltage	

Black Line WSF

‘Black Line WSF’
colour picture tube

W76ESF031X

ELECTRICAL DATA

SYMBOL	PARAMETER	MIN.	TYP.	MAX.	UNIT
Capacitances					
$C_{a(m+m')}$	anode to external conductive coating, including rimband	2500	–	–	pF
$C_{am'}$	anode to metal rimband	–	400	–	pF
$C_{K(R+G+B)}$	cathodes of all guns (connected in parallel) to all other electrodes	–	–	15	pF
C_{KR}, C_{KG}, C_{KB}	cathode of any gun to all other electrodes	–	4	–	pF
C_{kdiff}	differential cathode capacitance	–	–	0.5	pF
C_{g1}	grid 1 to all other electrodes	–	20	–	pF
C_{g5a}	grid 5a to all other electrodes	–	18	–	pF
$C_{(g5a-g5b)}$	grid 5a to grid 5b	–	8	–	pF
$C_{(g5a/g5b)}$	grids 5a + 5b to all other electrodes	–	15	–	pF
C_{g5b}	grid 5b to all other electrodes	–	9	–	pF
Heating, indirect by AC (preferably mains or line frequency) or DC					
V_f	heater voltage	–	6.15	–	V
I_f	heater current	–	315	–	mA
Resistance					
R_{rim}	between rimband and external conductive coating	50	–	–	MΩ

ELECTRO-OPTICAL DATA

PARAMETER	VALUE
Electron gun system	unitized in-line
Focus method	electrostatic
Main lens	IFL (Integrated Focus Lens) main lens with dynamic astigmatism and focusing
Convergence method	self converging
Deflection angles	
diagonal	106°
horizontal	97°
vertical	62°

'Black Line WSF'
colour picture tube

W76ESF031X

OPTICAL DATA

PARAMETER	VALUE
Screen	vertical matrix and phosphor stripes
Matrix	black opaque material; PVP technology
Screen finish	high gloss
Nominal useful screen dimensions	
diagonal	759.0 mm
horizontal axis	665.5 mm
vertical axis	374.3 mm
area	≈2500 cm ²
Phosphors	
red	pigmented europium activated rare earth
green	Cd-free sulphide type
blue	pigmented sulphide type
Persistence	medium short
Centre-to-centre distance of identical colour phosphor stripes (at screen centre)	≈0.72 mm
Light transmission of face glass at centre of screen	45.7%
Intrinsic luminance (L) at screen centre; at 30 kV; note 1	80 cd/m ²

Note

1. Tube settings adjusted to produce white D ($x = 0.313$, $y = 0.329$), focused raster, current density $0.4 \mu\text{A}/\text{cm}^2$.

Colour coordinates

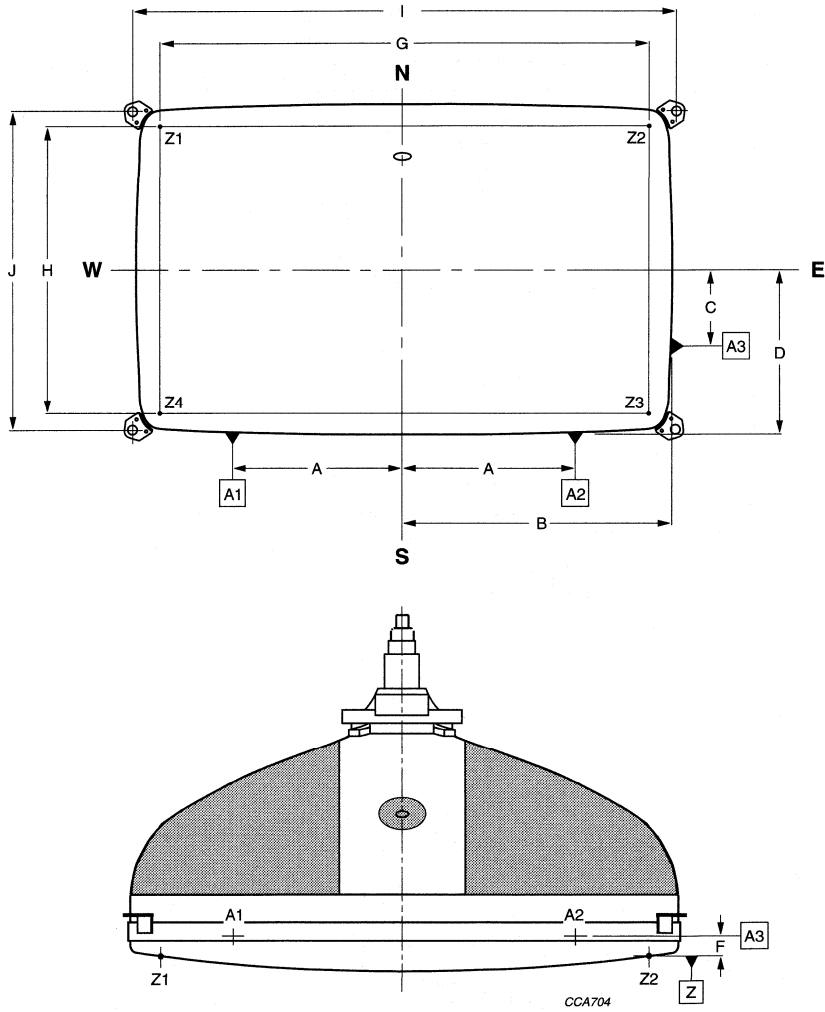
COLOUR	x	y
Red	0.630	0.330
Green	0.295	0.595
Blue	0.155	0.065

MECHANICAL DATA

PARAMETER	VALUE
Mass including deflection unit	≈34.5 kg
Base	JEDEC B10-304
Anode contact	small cavity contact; JEDEC J1-21; IEC 67-111-2
Mounting position	anode contact on top
Implosion protection	mini-P shrink system
Bulb design	
Funnel	EIA/JEDEC J-813A
Panel	EIA/JEDEC F-813B

'Black Line WSF'
colour picture tube

W76ESF031X



A = 270.0 mm.

B = 361.35 mm.

C = 145.0 mm.

D = 217.95 mm.

F = 31.25 mm.

G = 662.4 mm.

H = 372.6 mm.

I = 723.5 mm.

J = 435.5 mm.

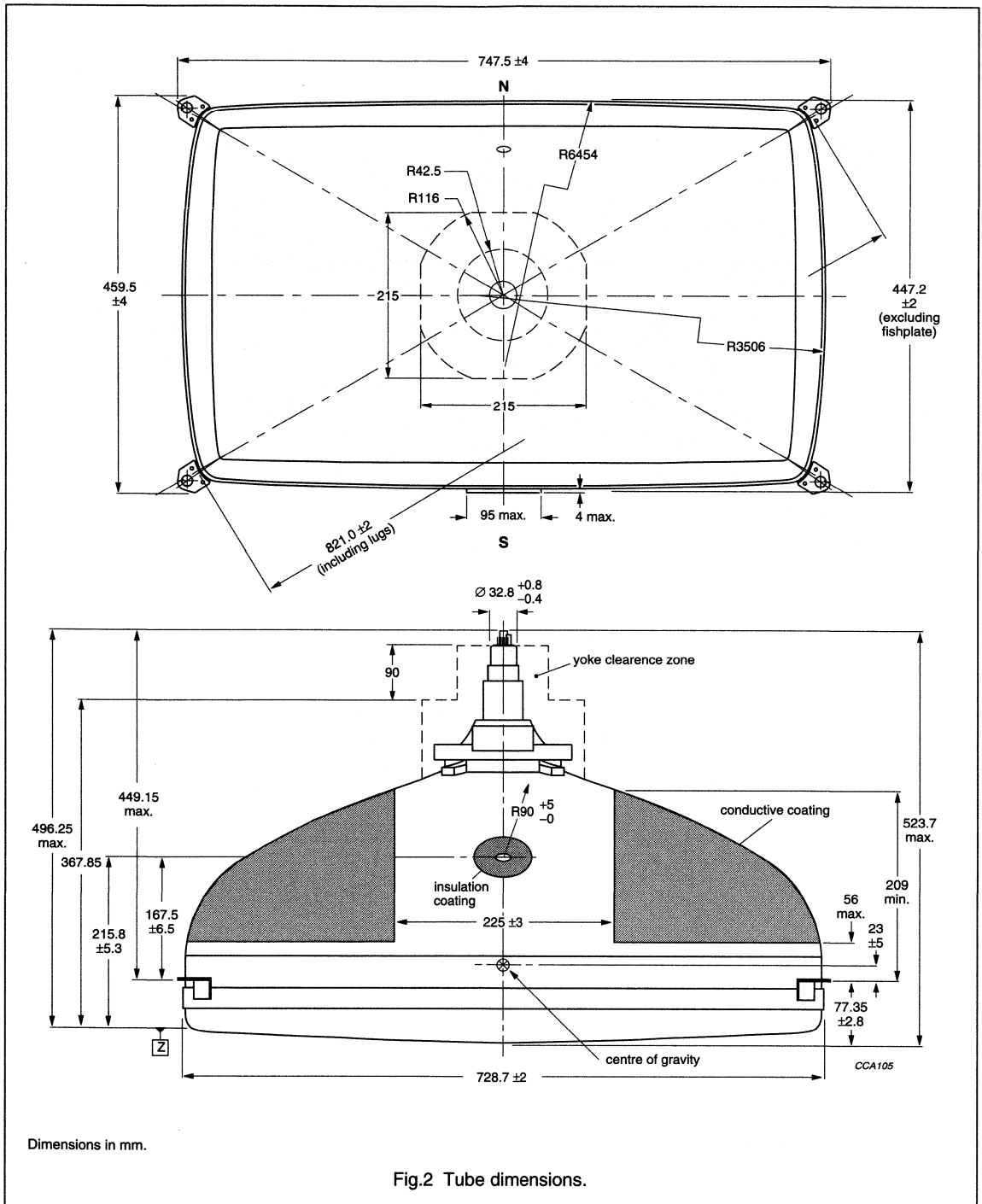
Z1 and Z3 are part of plane 'Z'.

Z2 and Z4 have the same distance to 'Z' and lie at the same side of plane 'Z'.

Fig.1 Mechanical reference points.

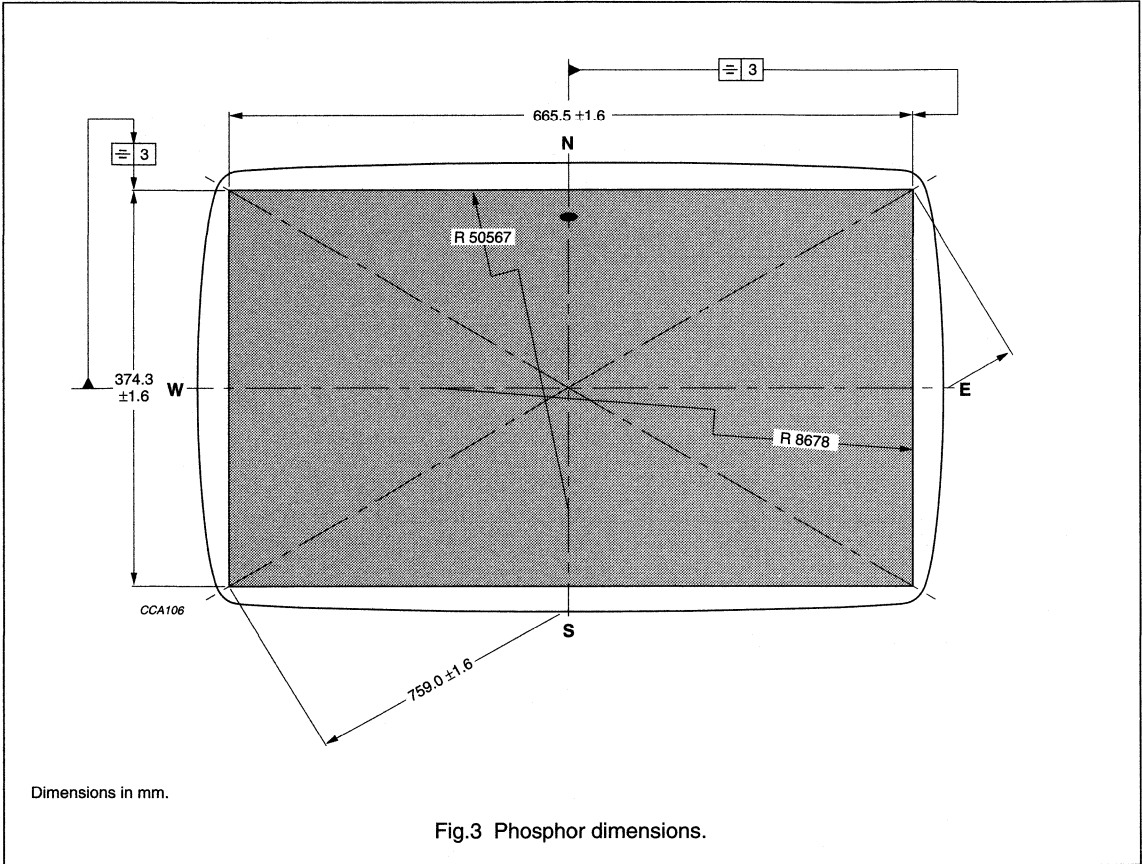
'Black Line WSF'
colour picture tube

W76ESF031X



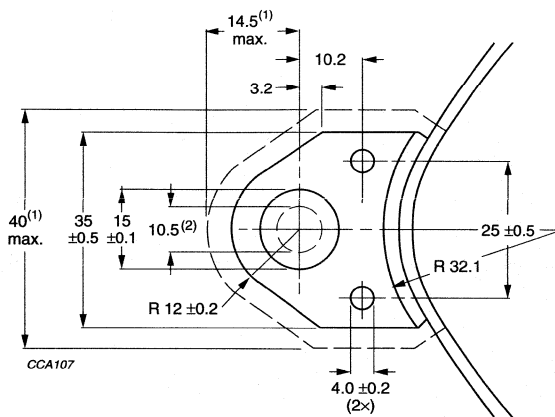
'Black Line WSF'
colour picture tube

W76ESF031X



'Black Line WSF'
colour picture tube

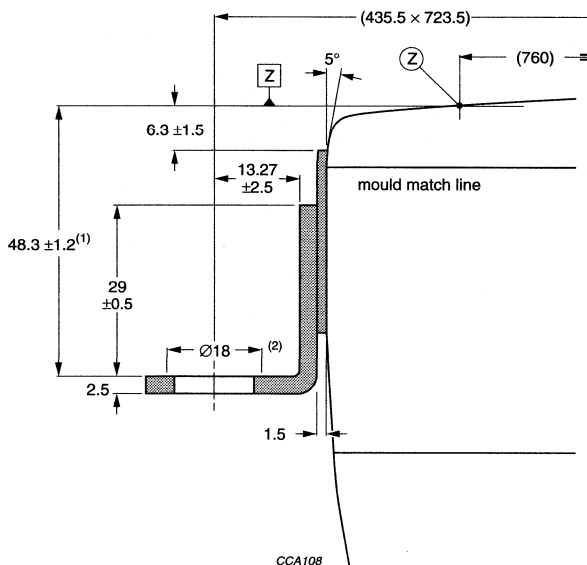
W76ESF031X



Dimensions in mm.

- (1) Minimum space to be reserved for mounting lug.
- (2) The position of the mounting screw in the cabinet must be within a circle of 10.5 mm diameter drawn around the true geometrical positions, i.e. the corners of a rectangle of 723.5 mm x 435.5 mm.

Fig.4 Lug dimensions.



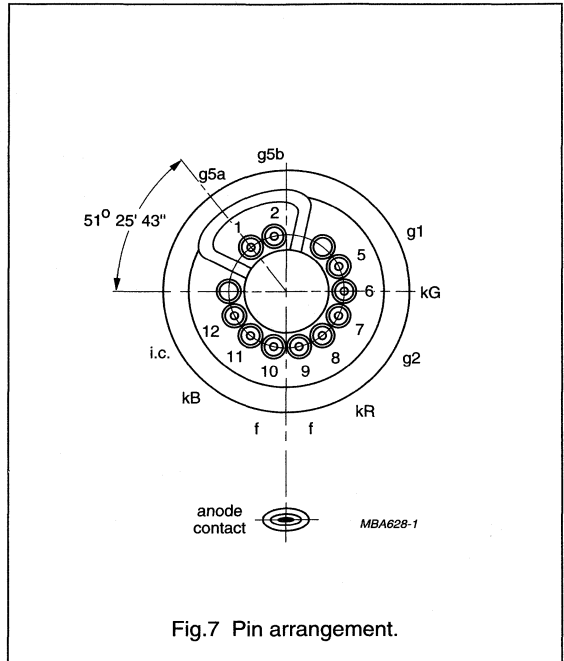
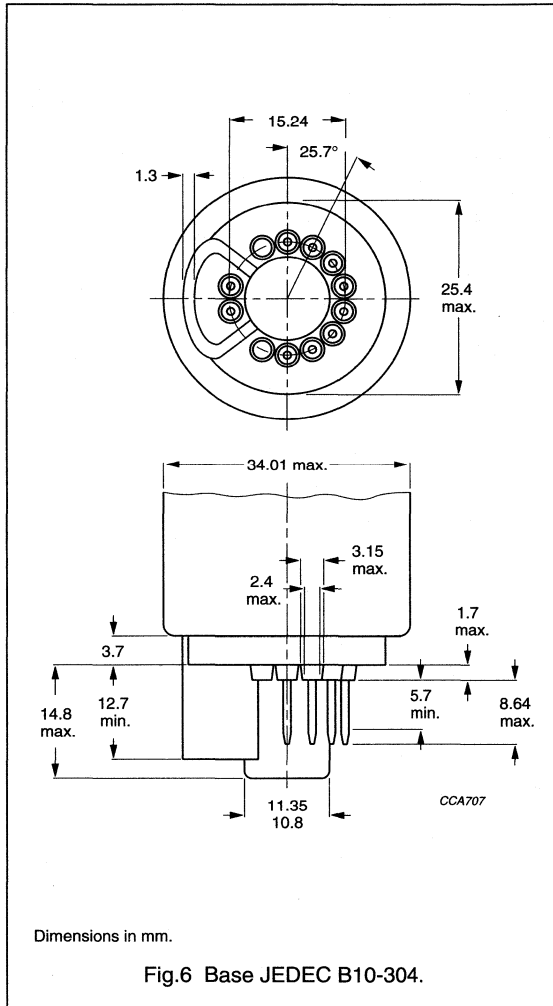
Dimensions in mm.

- (1) The maximum displacement of all lugs with respect to a plane parallel to plane 'Z' is 1.0 mm max. This deviation is incorporated in the tolerance of ± 1.2 mm.
- (2) Plane of reference for 'Z' to lug distance.

Fig.5 Lug position.

'Black Line WSF'
colour picture tube

W76ESF031X



Remarks: to Figs 6 and 7.

The socket for this base should not be rigidly mounted, it should have flexible leads and be allowed to move freely. After mounting the tube in the cabinet, note that the position of the base can fall within a circle having a diameter of max. 40 mm concentric with an imaginary tube axis.

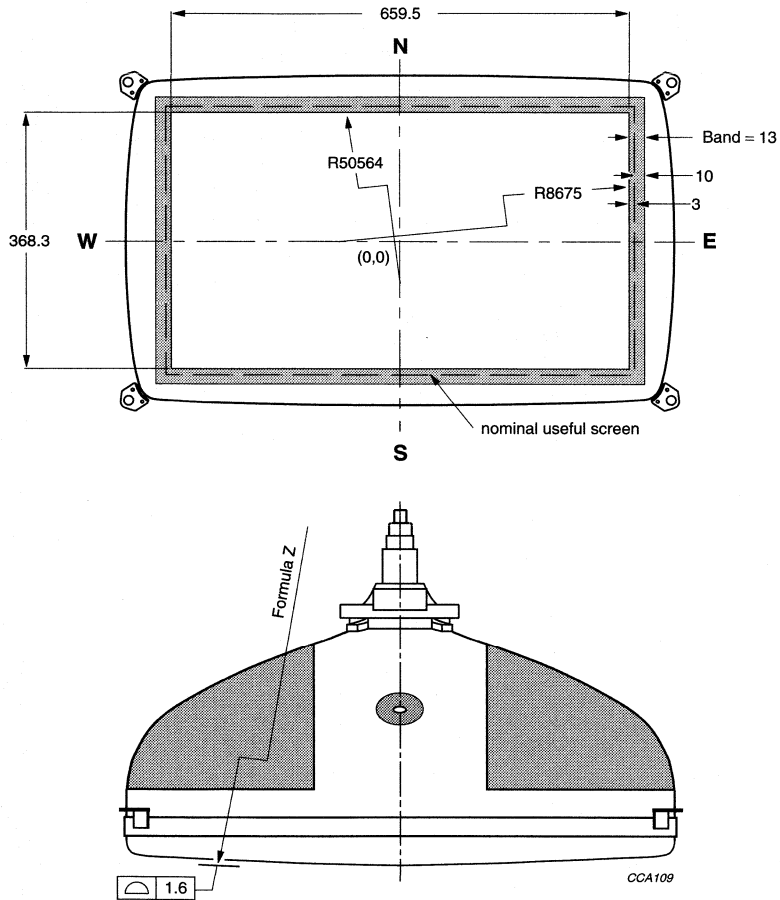
The mass of the mounting socket circuitry should not exceed 150 g.

Maximum permissible torque on the tube neck is 0.04 Nm.

'Black Line WSF'
colour picture tube

W76ESF031X

Bezel contour data



Dimensions in mm.

Nominal sagittal height (mm) of the screen with respect to the screen centre is described by the following formula:

$$Z = 2.008872 \times 10^{-4} \times X^2 + 2.002726 \times 10^{-4} \times Y^2 + 1.314517 \times 10^{-11} \times X^2 \times Y^2 - 6.563159 \times 10^{-16} \times X^2 \times Y^4 + 6.807958 \times 10^{-21} \times X^4 \times Y^4$$

Fig.8 Bezel contour details.

'Black Line WSF' colour picture tube

W76ESF031X

Sagittal heights

Sagittal heights of the useful screen measured with respect to the end of the diagonal axis.

NOMINAL USEFUL SCREEN (NUS)			3 mm INSIDE NUS			10 mm OUTSIDE NUS		
COORDINATES		SAGITTAL HEIGHT	COORDINATES		SAGITTAL HEIGHT	COORDINATES		SAGITTAL HEIGHT
X (mm)	Y (mm)		X (mm)	Y (mm)		X (mm)	Y (mm)	
0.0	0.0	29.0	0.0	0.0	28.4	0.0	0.0	31.1
0.0 ⁽¹⁾	187.2	22.0	0.0	184.2	21.6	0.0	197.2	23.3
20.0	187.2	21.9	20.0	184.2	21.5	20.0	197.2	23.2
40.0	187.1	21.6	40.0	184.1	21.3	40.0	197.1	23.0
60.0	187.1	21.2	60.0	184.1	20.9	60.0	197.1	22.6
80.0	187.1	20.7	80.0	184.1	20.3	80.0	197.1	22.0
100.0	187.1	20.0	100.0	184.1	19.6	100.0	197.1	21.3
120.0	187.0	19.1	120.0	184.0	18.7	120.0	197.0	20.4
140.0	187.0	18.0	140.0	184.0	17.7	140.0	197.0	19.4
160.0	186.9	16.8	160.0	183.9	16.5	160.0	196.9	18.2
180.0	186.8	15.5	180.0	183.8	15.1	180.0	196.8	16.8
200.0	186.8	14.0	200.0	183.8	13.6	200.0	196.8	15.3
220.0	186.7	12.3	220.0	183.7	11.9	220.0	196.7	13.6
240.0	186.6	10.4	240.0	183.6	10.0	240.0	196.6	11.8
260.0	186.5	8.4	260.0	183.5	8.0	260.0	196.5	9.8
280.0	186.4	6.2	280.0	183.4	5.9	280.0	196.4	7.6
300.0	186.3	3.9	300.0	183.3	3.5	300.0	196.3	5.2
320.0	186.1	1.4	320.0	183.1	1.0	320.0	196.1	2.7
330.8 ⁽²⁾	186.1	0.0	327.8	183.1	0.0	340.5	196.0	0.0
330.9	180.0	0.4	327.9	180.0	0.2	340.9	180.0	1.2
331.3	160.0	1.8	328.3	160.0	1.5	341.3	160.0	2.5
331.6	140.0	2.9	328.6	140.0	2.7	341.6	140.0	3.7
331.9	120.0	3.9	328.9	120.0	3.7	341.9	120.0	4.7
332.2	100.0	4.8	329.2	100.0	4.6	342.2	100.0	5.5
332.4	80.0	5.5	329.4	80.0	5.3	342.4	80.0	6.2
332.5	60.0	6.0	329.5	60.0	5.8	342.5	60.0	6.8
332.7	40.0	6.4	329.7	40.0	6.2	342.7	40.0	7.2
332.7	20.0	6.7	329.7	20.0	6.4	342.7	20.0	7.4
332.8 ⁽³⁾	0.0	6.7	329.8	0.0	6.5	342.8	0.0	7.5

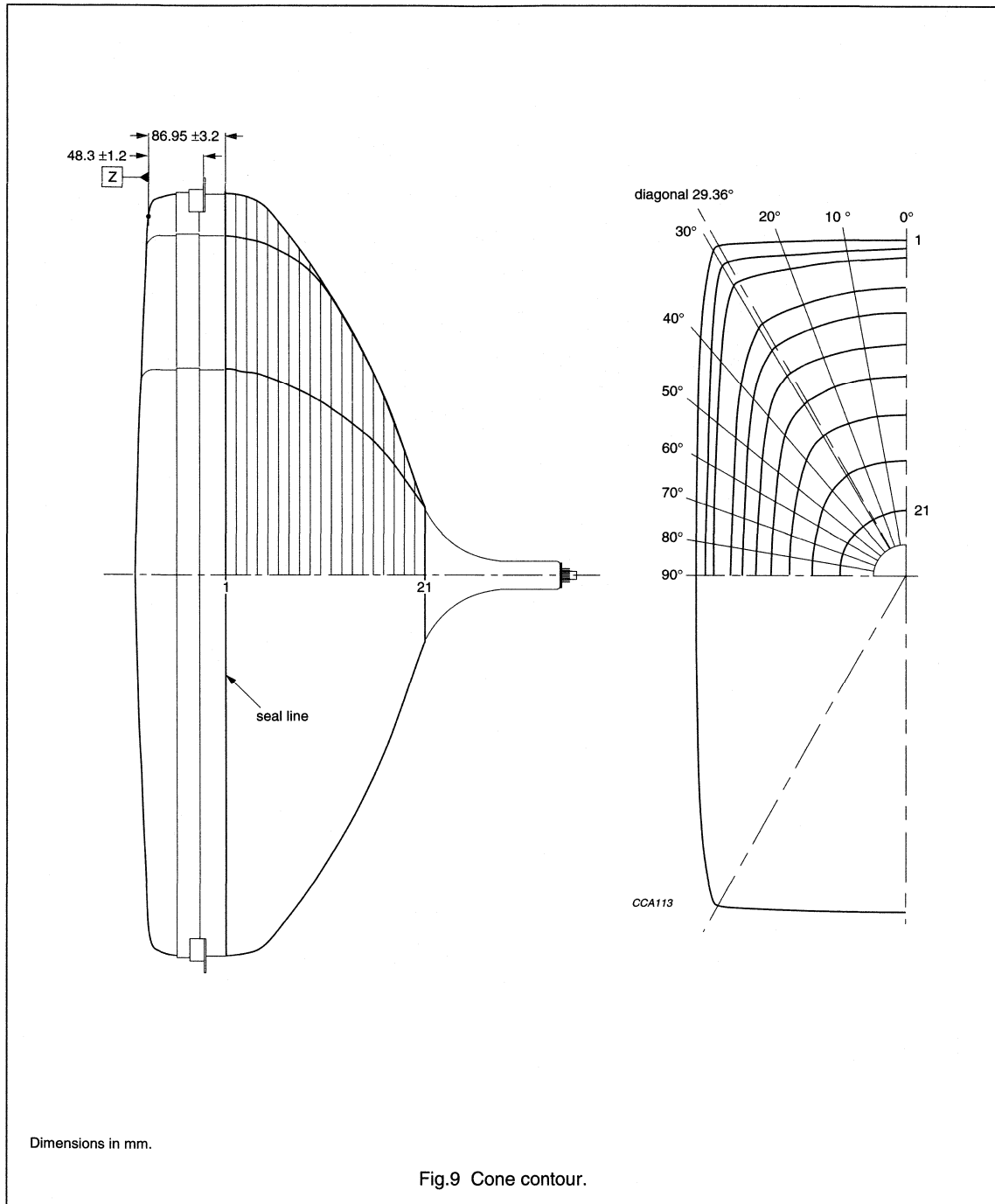
Notes

1. End of short axis.
2. End of diagonal axis.
3. End of long axis.

'Black Line WSF'
colour picture tube

W76ESF031X

Cone contour



'Black Line WSF'
colour picture tube

W76ESF031X

Cone contour data

SECTION	NOMINAL DISTANCE FROM SECTION 1 (mm)	MAXIMUM DISTANCE FROM TUBE AXIS (mm)										
		0°	10°	20°	29.36°	30°	40°	50°	60°	70°	80°	90°
1	0.0	362.2	367.2	382.2	405.9	405.5	336.5	285.6	254.2	235.1	224.7	221.4
2	10.0	360.9	365.9	381.5	404.5	404.2	334.9	284.1	252.8	233.7	223.4	220.1
3	20.0	358.8	363.6	378.7	400.6	400.2	331.5	281.3	250.2	231.4	221.1	217.9
4	30.0	356.4	361.0	375.0	395.4	395.1	327.8	278.0	247.4	228.7	218.6	215.4
5	40.0	353.4	357.3	369.2	386.6	386.2	321.5	273.4	243.6	225.4	215.6	212.4
6	50.0	349.7	352.3	360.5	371.9	371.4	311.2	266.7	238.6	221.3	211.9	208.8
7	60.0	344.7	346.1	350.0	354.8	354.0	299.0	258.4	232.2	216.0	207.1	204.2
8	70.0	338.4	338.4	338.6	337.9	336.9	286.6	249.1	224.8	209.5	201.0	198.3
9	80.0	329.8	328.8	325.8	320.7	319.5	273.7	239.2	216.6	202.2	194.3	191.8
10	90.0	318.5	316.7	311.3	303.2	302.0	260.3	228.9	208.0	194.7	187.2	184.9
11	100.0	304.5	302.2	295.5	285.4	284.2	246.5	218.1	199.0	186.7	179.8	177.6
12	110.0	289.3	286.7	278.9	267.3	266.1	232.3	206.8	189.5	178.2	171.9	169.9
13	120.0	273.2	270.3	261.7	248.9	247.7	217.6	195.1	179.5	169.3	163.5	161.7
14	130.0	255.8	252.8	243.7	230.2	228.9	202.5	182.8	168.9	159.8	154.6	152.9
15	140.0	237.1	234.0	224.8	211.1	209.8	186.9	169.9	157.8	149.7	145.1	143.6
16	150.0	216.4	213.4	204.7	191.4	190.1	170.8	156.3	145.9	138.9	134.9	133.6
17	160.0	193.1	190.5	182.6	170.6	169.5	153.8	141.9	133.2	127.3	123.9	122.8
18	170.0	165.9	163.7	157.3	147.8	146.9	135.2	126.1	119.3	114.7	112.0	111.1
19	180.0	124.9	123.9	120.9	116.3	115.9	110.3	105.7	102.2	99.7	98.2	97.7
20	190.0	89.1	88.9	88.3	87.3	87.3	86.2	85.2	84.4	83.9	83.5	83.4
21	193.0	80.3	80.2	80.1	79.9	79.9	79.6	79.4	79.2	79.1	79.1	79.0

HANDLING

The packaging provides protection against tube damage under normal conditions of shipment or handling. Observe any instructions given on the packaging and handle accordingly. Under no circumstances should the tube assembly be subjected to accelerations greater than the values given in Table "Acceleration limits".

Acceleration limits

PARAMETER	CONDITIONS	MAX.	UNIT
Pulse in cone direction	≤10 ms	350	m/s ²
	>10 ms	150	m/s ²
Pulse in all other directions	30 ms	350	m/s ²

'Black Line WSF' colour picture tube

W76ESF031X

TYPICAL OPERATING CONDITIONS

SYMBOL	PARAMETER	CONDITION	MIN.	TYP.	MAX.	UNIT
V_a	anode voltage	full screen load	–	30	–	kV
V_{g5a}	horizontal focus voltage	screen centre	8.0	–	9.2	kV
V_{g5b}	vertical focus voltage	screen centre	7.9	–	9.1	kV
$V_{g5b \text{ dyn}}$	horizontal parabola voltage	screen edge to edge	–	1000	–	V
$V_{g5b \text{ dyn}}$	vertical parabola voltage	screen edge to edge; note 1	–	120	–	V
V_{g2}	grid 2 voltage		see Fig.10			
V_f	heater voltage	tube operating	5.7	6.15	6.6	V

Note

1. Only required for optimization. A good focus quality can also be obtained by omitting the vertical parabola and increasing the voltage on grid 5b (V_{g5b}) by approximately 50 V.

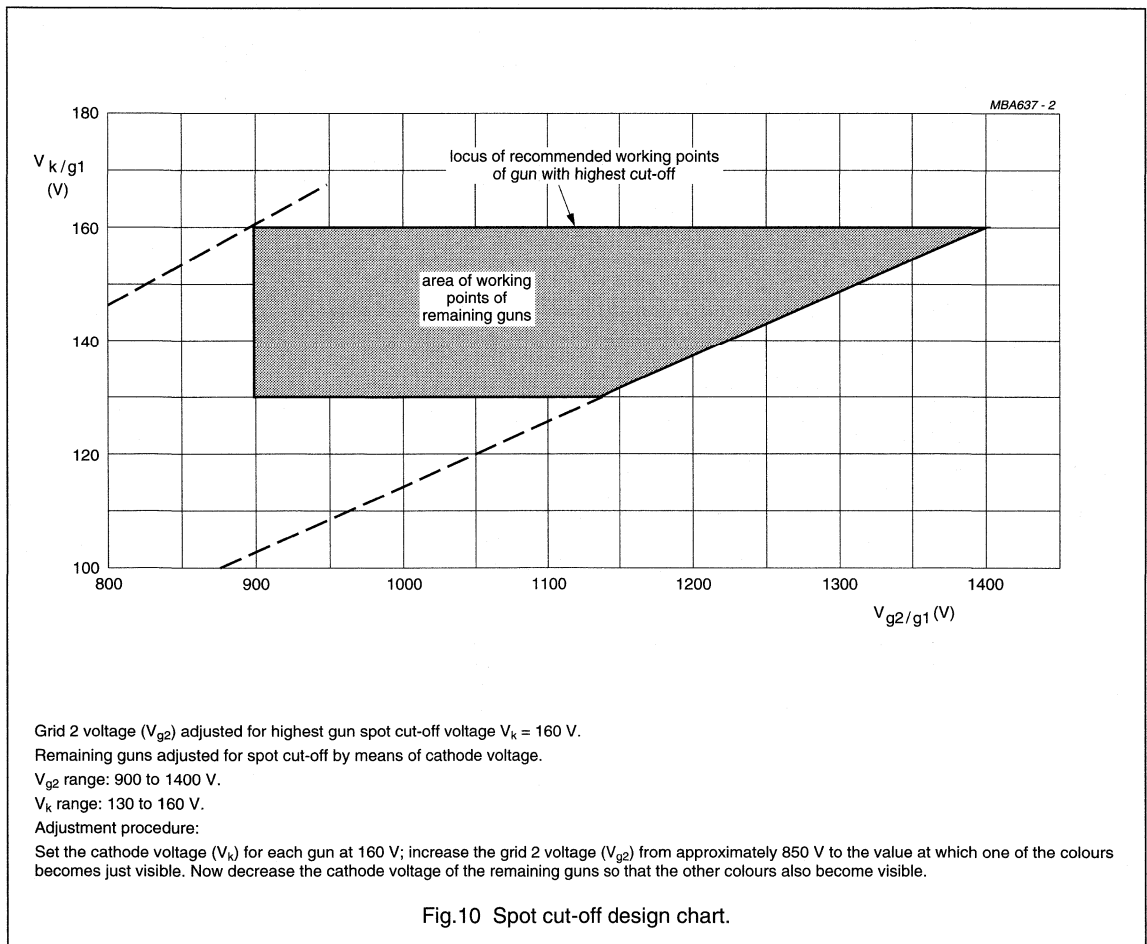


Fig.10 Spot cut-off design chart.

'Black Line WSF'

colour picture tube

W76ESF031X

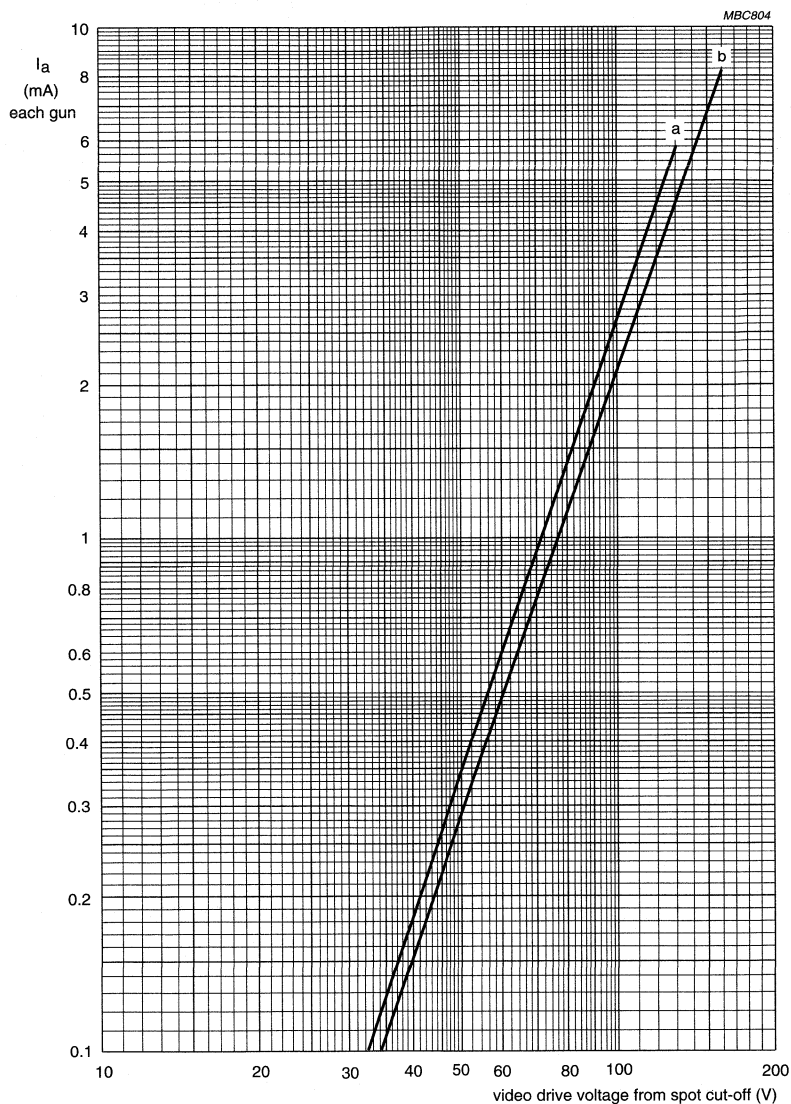
CHASSIS DESIGN VALUES

The values are valid for anode voltages between 28 and 33 kV. The voltages are specified with respect to grid 1.
For optimum picture performance it is recommended that the cathodes are not driven below +1 V.

SYMBOL	PARAMETER	CONDITIONS	MIN.	TYP.	MAX.	UNIT
V_{g5a}	grid 5a focus voltage as a percentage of anode voltage		26.7	–	30.7	%
V_{g5b}	grid 5b focus voltage as a percentage of anode voltage		26.3	–	30.3	%
V_{g2}	grid 2 voltage	for visual extinction of focusing spot	see Fig.10			
V_k	cathode voltage		see Figs 10 and 11			
ΔV_k	difference in cut-off voltage in any tube		lowest value >80% of highest value			
V_f	heater voltage	tube operating	–	6.15	–	V
$I_{g5a,g5b}$	focus current		–2	–	+2	μA
I_{g2}	grid 2 current		–2	–	+2	μA
I_{g1}	grid 1 current	at cut-off	–2	–	+2	μA
I_{kf}	cathode/heater current		–2	–	+2	μA
R_{ins}	insulation resistance between each cathode and all other electrodes and heater		50	–	–	M Ω
Anode currents to produce white of 6500 K + 7 MPCD (CIE coordinates x = 0.313; y = 0.329)						
PERCENTAGE OF THE TOTAL ANODE CURRENT SUPPLIED BY EACH GUN						
	red gun		–	41.3	–	%
	green gun		–	34.4	–	%
	blue gun		–	24.3	–	%
RATIO OF ANODE CURRENTS						
	red gun to green gun		0.85	1.20	1.55	
	red gun to blue gun		1.20	1.70	2.20	
	blue gun to green gun		0.40	0.70	1.00	

'Black Line WSF' colour picture tube

W76ESF031X



$V_f = 6.15$ V.

$V_a = 30$ kV.

V_{g5a} and V_{g5b} adjusted for focus.

V_{g2} (each gun) adjusted to provide spot cut-off for $V_k = 130$ V (curve a) and $V_k = 160$ V (curve b).

Fig.11 Typical cathode voltage drive characteristic.

'Black Line WSF'

colour picture tube

W76ESF031X

LIMITING VALUES

In accordance with the Absolute Maximum Rating System (IEC 134). Voltages are specified with respect to grid 1.

SYMBOL	PARAMETER	CONDITIONS	MIN.	MAX.	UNIT
V _a	anode voltage	notes 1 and 2	28	33	kV
		at zero beam current	–	36 ⁽³⁾	kV
I _a	long-term average anode current for three guns		–	1600	μA
	short-term average anode current for three guns		–	2000	μA
V _{g5a/g5b}	focus voltage	note 4	–	12	kV
ΔV _{g5a-g5b}	differential focus voltage		–	3	kV
V _{g2}	grid 2 voltage	note 5	–	1600	V
V _f	heater voltage	note 6	5.7	6.6	V
Cathode voltage					
V _{kp}	positive peak		–	250	V
V _k	during switch-off		–	250	V
V _k	positive operating cut-off		–	180	V
V _k	negative		–	0	V
V _{kp}	negative peak		–	–2	V
Cathode to heater voltage					
V _{kf}	positive		–	250	V
V _{kfp}	positive peak		–	300	V
V _{kf}	negative		–	0	V
V _{kfp}	negative peak		–	–50	V
Circuit limiting values					
R _{g5a, R_{g5b}}	grid 5a, grid 5b circuit resistance		–	70	MΩ
R _{g2}	grid 2 circuit resistance		–	7	MΩ
R _{g1-k}	grid 1 to cathode circuit resistance		–	750	kΩ

Notes

1. During adjustment on the production line this value is likely to be surpassed considerably. It is therefore strongly recommended to first make the necessary adjustments for normal operation without the picture tube.
2. Operation of the tube at lower voltages impairs the luminance and resolution and could impair convergence.
3. This value is an absolute maximum.
4. During flash-over maximum 20 kV is allowed.
5. During adjustment on the production line a maximum value of 1800 V is allowed.
6. For maximum cathode life and optimum performance it is recommended that the heater supply is designed for 6.15 V at average beam current, for most applications this equals 6.3 V at zero beam current. **The heater supply source impedance must not be less than 2 Ω.**

'Black Line WSF' colour picture tube

W76ESF031X

FLASHOVER PROTECTION

With the high voltage used with this tube (max. 36 kV) internal flashovers may occur. As a result of Soft-Flash technology these flashover currents are limited to approximately 100 A offering higher reliability, optimum circuit protection and component savings.

Primary protective circuitry using properly grounded spark gaps and series isolation resistors (preferably carbon composition) is still necessary

to prevent tube damage. The spark gaps should be connected to all picture tube electrodes at the socket in accordance with Fig.12; they are not required on the heater pins. No other connections between the outer conductive coating and the chassis are permissible. The spark gaps should be designed for a breakdown voltage of less than 20 kV at the focus electrode (g5) and less than 2 kV at the other electrodes, both at an atmospheric pressure of 100 kPa.

The values of the series isolation resistors should be as high as possible (min. 0.5 k Ω) without causing deterioration of the circuit performance. The resistors should be able to withstand an instantaneous surge of 20 kV for the focusing circuit and 12 kV for the remaining circuits without arcing.

To guarantee the soft flash behaviour, the internal dynamic resistance of the tube during flashover is a minimum 400 Ω and a maximum 800 Ω .

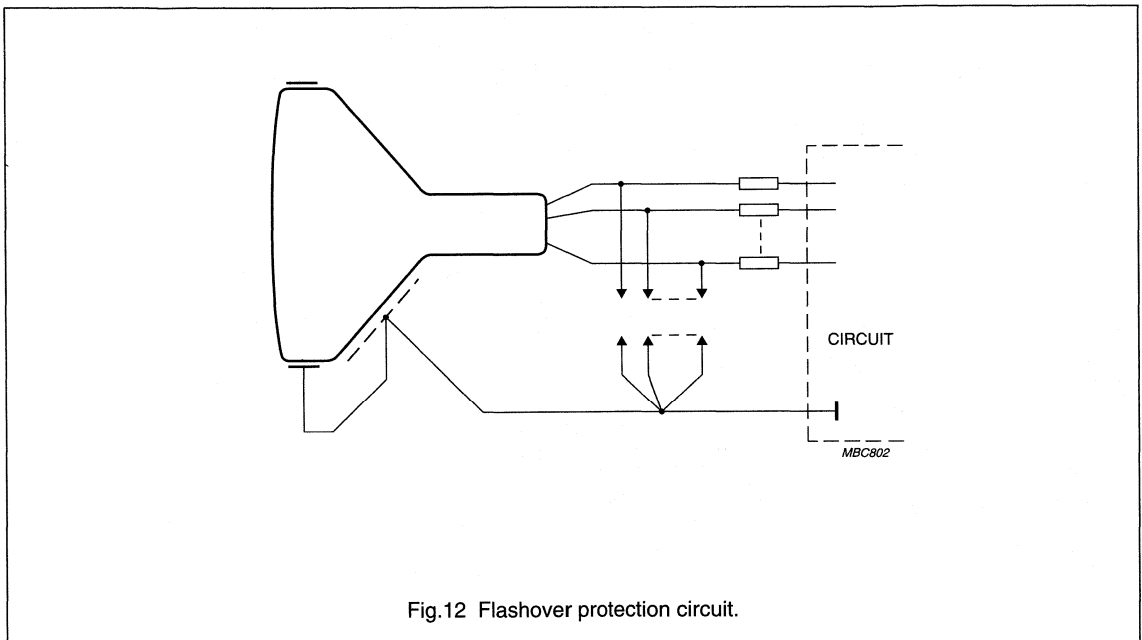


Fig.12 Flashover protection circuit.

'Black Line WSF'
colour picture tube

W76ESF031X

X-RADIATION

Maximum anode voltage at which the X-radiation emitted will not exceed 0.5 mR/h at an anode current of 300 μ A.

PARAMETER	VALUE
Entire tube; note 1	40.6 kV
Face-plate only	42.0 kV

Note

1. This rating applies only if the anode connector used by the set maker provides the necessary attenuation to reduce the X-radiation from the anode contact by a factor equal to the difference between the anode button iso-exposure-rate limit curve and the iso-exposure-rate limit curve for the entire tube.

WARNING

If the value for the tube face only is used as design criteria, adequate shielding must be provided in the TV receiver for the anode contact and/or certain portions of the tube funnel and panel sidewalls to ensure that the X-radiation from the TV receiver is attenuated to a value equal to or lower than that specified for the face of the tube.

The X-radiation emitted from this picture tube, as measured in accordance with the procedure of "JEDEC Publications No.64D" will not exceed 0.5 mR/h throughout the useful life of the tube when operated within the design-maximum ratings.

The tube should not be operated beyond its design-maximum ratings stated above, but its X-radiation will not exceed 0.5 mR/h for anode voltage and current combinations given by the iso-exposure-rate limit characteristics as shown in Fig.14.

Operation above the values shown by the curve may result in failure of the TV receiver to comply with the "Federal Performance Standard of the U.S. for Television Receivers, Section 1020.10 of Part 1020 of Title 21, Code of Federal Regulation".

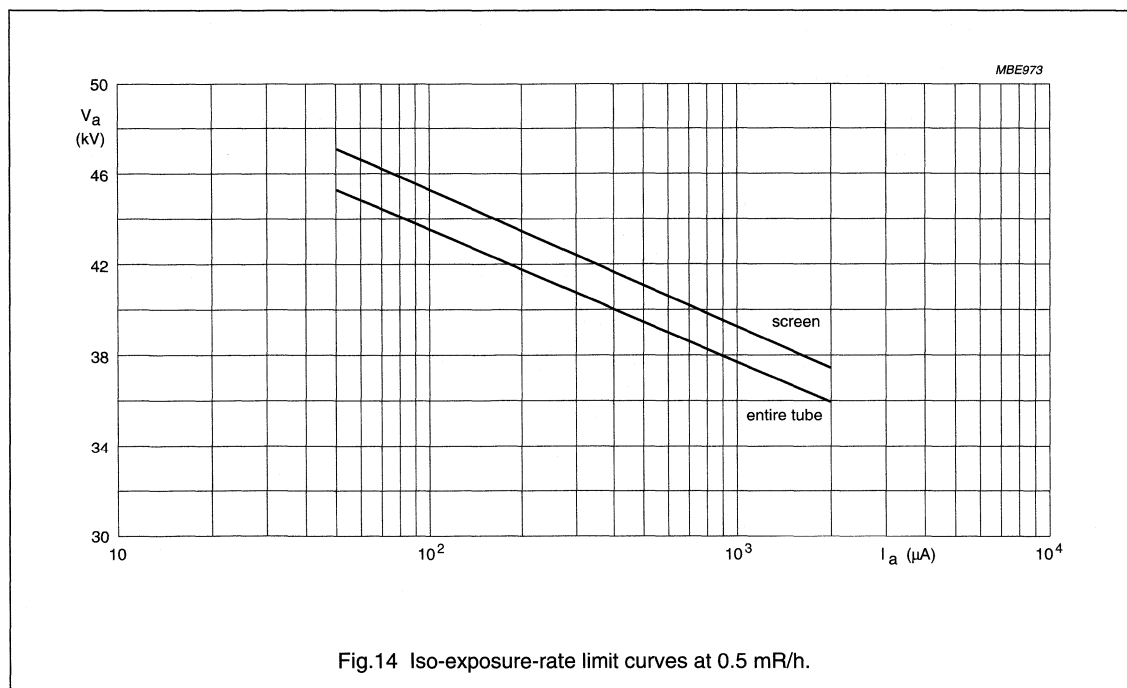
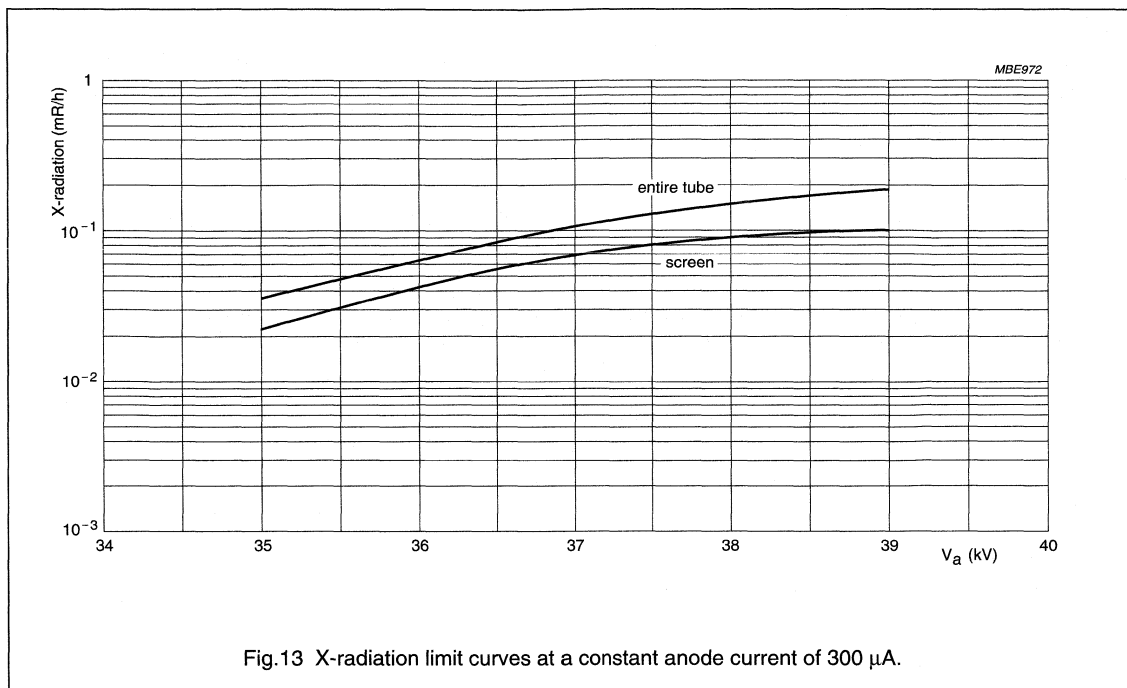
Maximum X-radiation as a function of anode voltage at 300 μ A current is shown by Fig.13. X-radiation at a constant anode voltage varies linearly with anode current.

WARNING

The cathode ray tube is intrinsically safe in accordance with "Appendix III Röntgenverordnung".
Eigensichere Kathodenstrahlröhre nach "Anlage III Röntgenverordnung".

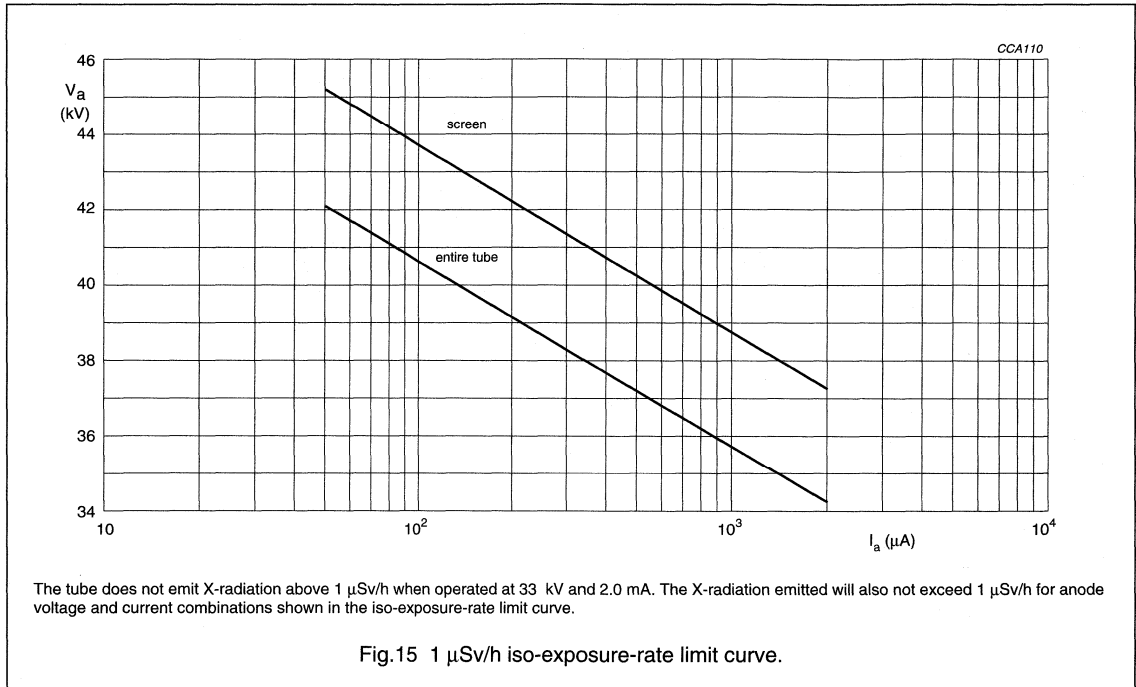
'Black Line WSF'
colour picture tube

W76ESF031X



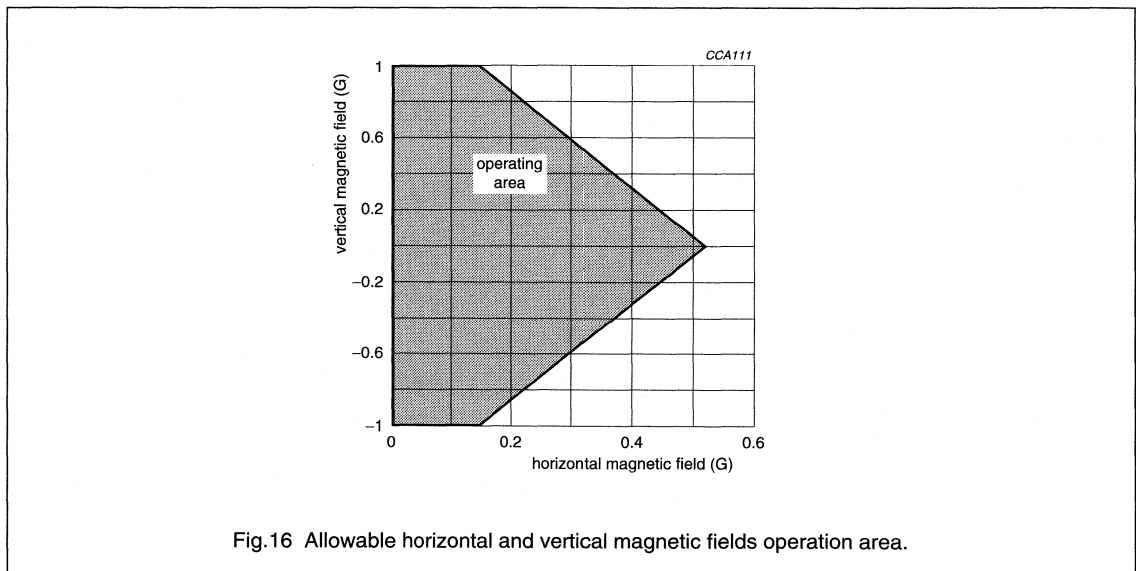
'Black Line WSF'
colour picture tube

W76ESF031X



MAGNETIC FIELD CONDITIONS

This tube is designed for world wide use.



'Black Line WSF' colour picture tube

W76ESF031X

DEGAUSSING

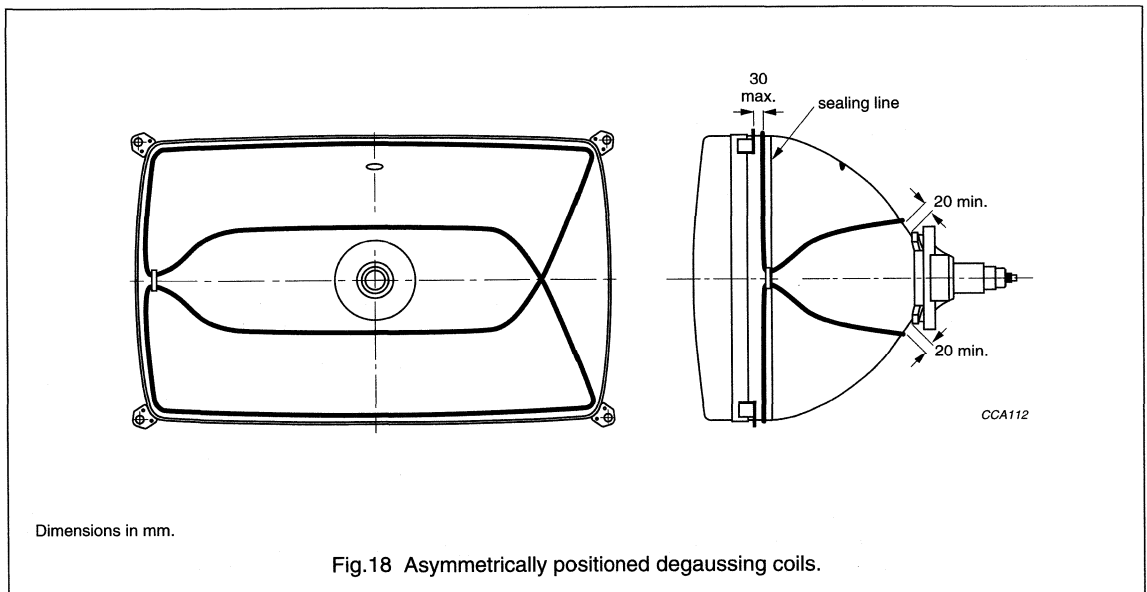
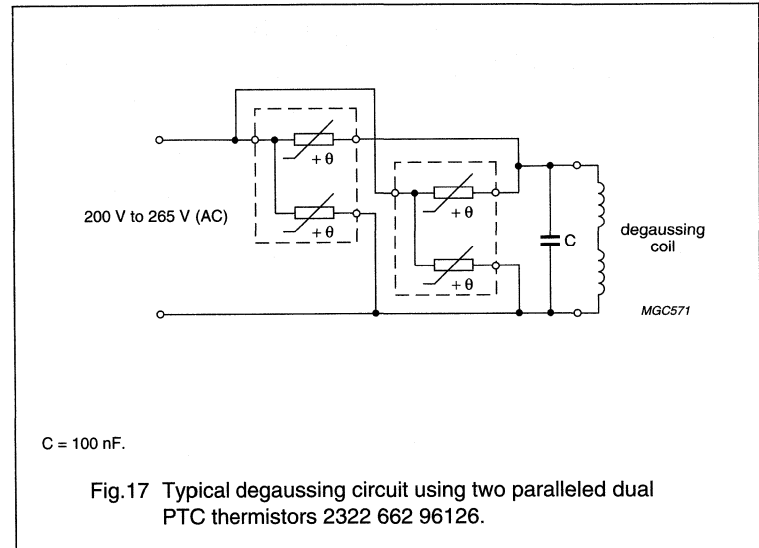
The picture tube is provided with an internal magnetic shield. This shield and the shadow mask with its suspension system should be provided with an automatic degaussing system, consisting of coil(s) covering the top and bottom cone parts.

For proper degaussing an initial magnetomotive force (MMF) of 500 ampere-turns is required in each coil. This MMF must be gradually decreased (maximum 20% per half period) by appropriate circuitry. To prevent beam landing disturbance by line frequency currents induced in the degaussing coils, these coils should be shunted by a capacitor of sufficiently high value. In steady state, no significant MMF should remain in the coils (≤ 0.15 ampere-turns).

If single-phase power rectification is employed in the TV circuitry, provision should be included to prevent asymmetric distortion of the AC voltage applied to the degaussing circuit due to high DC inrush currents.

Data of degaussing coils

PARAMETER	TYP.	UNIT
Circumference	365	cm
Number of turns	70	
Copper wire diameter	0.45	mm
Resistance	29	Ω



'Black Line WSF'
colour picture tube assembly**W76ESF031X13****FEATURES**

- 50 Hz vertical repetition
- Factory preset tube/coil assembly
- Self-converging and north-south raster correction free
- Scan Velocity Modulation (SVM) for improved picture sharpness
- 76 cm, 106° colour picture tube W76ESF031X
- Double mussel deflection unit.

QUICK REFERENCE DATA

PARAMETER	TYP.	UNIT
Deflection angle	106	deg
Nominal useful screen diagonal	76	cm
Overall length	<52.4	cm
Glass transmission	45.7	%
Neck diameter	32.8	mm
Anode voltage	30	kV

Black Line WSF

'Black Line WSF' colour picture tube assembly

W76ESF031X13

DEFLECTION UNIT DATA

All measurements are performed at a horizontal frequency of 16 kHz.

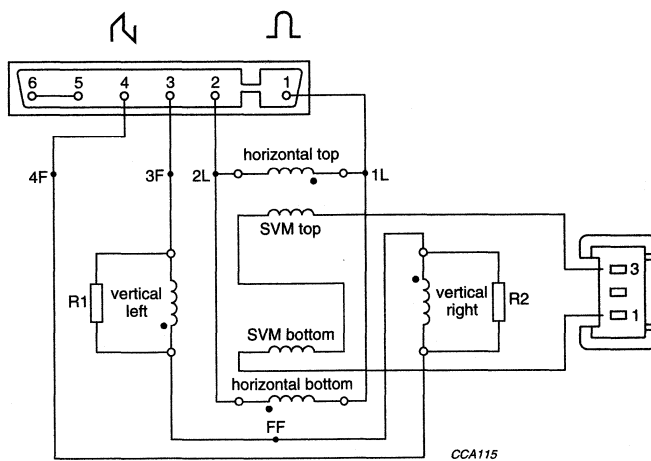
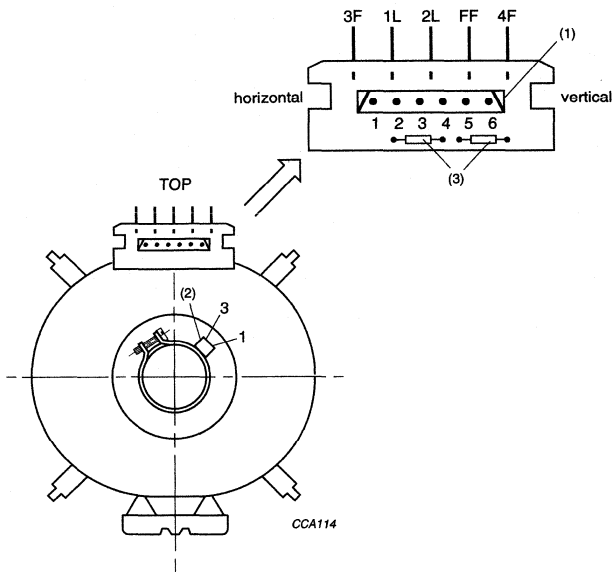
PARAMETER	CONDITIONS	MIN.	TYP.	MAX.	UNIT
Horizontal deflection coils					
Inductance		1.25	1.30	1.35	mH
Resistance	$T_{amb} = 25\text{ }^{\circ}\text{C}$	1.37	1.44	1.51	Ω
Magnetic flux		6.79	7.23	7.66	mWb
Deflection current (peak-to-peak value)	edge-to-edge; $V_a = 30\text{ kV}$	–	5.56	–	A
Average copper temperature	note 1	–	–	110	$^{\circ}\text{C}$
Temperature rise (ΔT)	$V_a = 30\text{ kV}$; $I_a = \text{long term average value}$	–	40	–	$^{\circ}\text{C}$
Vertical deflection coils					
Inductance		8.38	8.82	9.26	mH
Resistance	$T_{amb} = 25\text{ }^{\circ}\text{C}$	5.99	6.31	6.63	Ω
Vertical voltage		8.04	8.64	9.25	V
Deflection current (peak-to-peak value)	edge-to-edge; $V_a = 30\text{ kV}$	–	1.37	–	A
Average copper temperature	note 1	–	–	110	$^{\circ}\text{C}$
Temperature rise (ΔT)	$V_a = 30\text{ kV}$; $I_a = \text{long term average value}$	–	27	–	$^{\circ}\text{C}$
SVM coils					
Inductance	$f = 10\text{ kHz}$	1.81	1.85	1.89	μH
Resistance		0.63	0.90	1.17	Ω
Sensitivity					
centre		1.56	1.63	1.70	mm/A
edge		3.28	3.45	3.62	mm/A
Deflection unit					
Permissible DC voltage					
between horizontal and vertical coils		–	–	2000	V
between horizontal and yoke ring		–	–	2000	V
between vertical coils and yoke ring		–	–	300	V
Insulation resistance	1 kV (DC)				
between horizontal and vertical coils		500	–	–	M Ω
between horizontal coil and yoke ring		500	–	–	M Ω
between vertical coil and yoke ring		10	–	–	M Ω
Cross-talk from horizontal to vertical coils	1 V; 500 Hz applied to the horizontal deflection coils	–	–	45	mV

Note

1. Measured by the resistance method.

'Black Line WSF'
colour picture tube assembly

W76ESF031X13



The beginning of the windings is indicated with •

- (1) Main connector: Stocko series MKS 2820; matching socket connector Stocko series MKF 2800.
- (2) SVM connector: Stocko system RFK 1 (MKS series); matching connector MKF17033, MKF17330 or MKF17360 series.
- (3) $R1 = R2 = 100 \Omega, 0.25 \text{ W}$.

Fig.2 Deflection coil connections.

'Black Line WSF'
colour picture tube assembly**W76ESF031X14****FEATURES**

- 50 Hz vertical repetition
- Factory preset tube/coil assembly
- Self-converging and north-south raster correction free
- Scan Velocity Modulation (SVM) for improved picture sharpness
- 76 cm, 106° colour picture tube W76ESF031X
- Double mussel deflection unit.

QUICK REFERENCE DATA

PARAMETER	TYP.	UNIT
Deflection angle	106	deg
Nominal useful screen diagonal	76	cm
Overall length	<52.4	cm
Glass transmission	45.7	%
Neck diameter	32.8	mm
Anode voltage	30	kV

Black Line WSF

'Black Line WSF'

colour picture tube assembly

W76ESF031X14

DEFLECTION UNIT DATA

All measurements are performed at a horizontal frequency of 16 kHz.

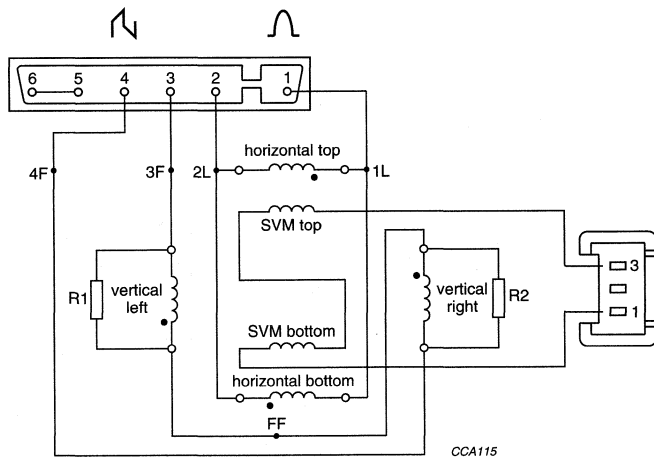
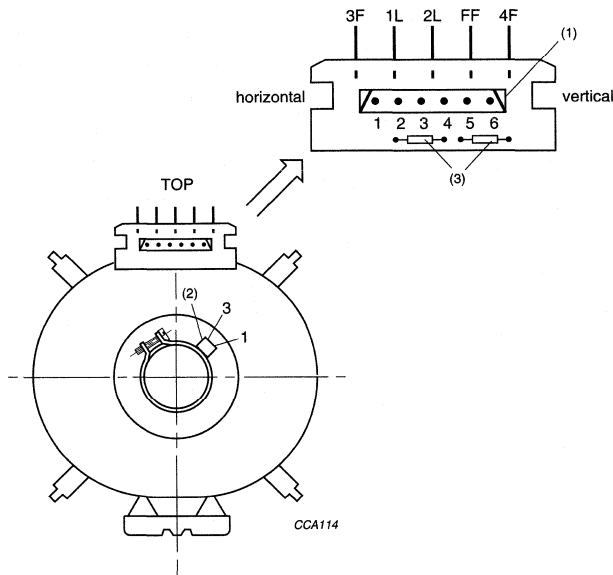
PARAMETER	CONDITIONS	MIN.	TYP.	MAX.	UNIT
Horizontal deflection coils					
Inductance		1.10	1.15	1.20	mH
Resistance	$T_{amb} = 25\text{ }^{\circ}\text{C}$	1.22	1.28	1.34	Ω
Magnetic flux		6.33	6.74	7.14	mWb
Deflection current (peak-to-peak value)	edge-to-edge; $V_a = 30\text{ kV}$	–	5.86	–	A
Average copper temperature	note 1	–	–	110	$^{\circ}\text{C}$
Temperature rise (ΔT)	$V_a = 30\text{ kV}$; $I_a = \text{short term average value}$	–	40	–	$^{\circ}\text{C}$
Vertical deflection coils					
Inductance		8.38	8.82	9.26	mH
Resistance	$T_{amb} = 25\text{ }^{\circ}\text{C}$	5.99	6.31	6.63	Ω
Vertical voltage		8.04	8.64	9.25	V
Deflection current (peak-to-peak value)	edge-to-edge; $V_a = 30\text{ kV}$	–	1.37	–	A
Average copper temperature	note 1	–	–	110	$^{\circ}\text{C}$
Temperature rise (ΔT)	$V_a = 30\text{ kV}$; $I_a = \text{short term average value}$	–	27	–	$^{\circ}\text{C}$
SVM coils					
Inductance		1.81	1.85	1.89	μH
Resistance		0.63	0.90	1.17	Ω
Sensitivity					
centre		1.56	1.63	1.70	mm/A
edge		3.28	3.45	3.62	mm/A
Deflection unit					
Permissible DC voltage					
between horizontal and vertical coils		–	–	2000	V
between horizontal and yoke ring		–	–	2000	V
between vertical coils and yoke ring		–	–	300	V
Insulation resistance	1 kV (DC)				
between horizontal and vertical coils		500	–	–	M Ω
between horizontal coil and yoke ring		500	–	–	M Ω
between vertical coil and yoke ring		10	–	–	M Ω
Cross-talk from horizontal to vertical coils	1 V; 500 Hz applied to the horizontal deflection coils	–	–	45	mV

Note

1. Measured by the resistance method.

'Black Line WSF'
colour picture tube assembly

W76ESF031X14



The beginning of the windings is indicated with •

- (1) Main connector: Stocko series MKS 2820; matching socket connector Stocko series MKF 2800.
- (2) SVM connector: Stocko system RFK 1 (MKS series); matching connector MKF17033, MKF17330 or MKF17360 series.
- (3) $R_1 = R_2 = 100 \Omega, 0.25 \text{ W}$.

Fig.2 Deflection coil connections.

'Black Line WSF'
colour picture tube assembly

W76ESF031X44

FEATURES

- 100 Hz vertical repetition
- Factory preset tube/coil assembly
- Self-converging and north-south raster correction free
- Scan Velocity Modulation (SVM) for improved picture sharpness
- 76 cm, 106° colour picture tube W76ESF031X
- Double mussel deflection unit.

QUICK REFERENCE DATA

PARAMETER	TYP.	UNIT
Deflection angle	106	deg
Nominal useful screen diagonal	76	cm
Overall length	<52.4	cm
Glass transmission	45.7	%
Neck diameter	32.8	mm
Anode voltage	30	kV

Black Line WSF

'Black Line WSF' colour picture tube assembly

W76ESF031X44

DEFLECTION UNIT DATA

All measurements are performed at a horizontal frequency of 32 kHz.

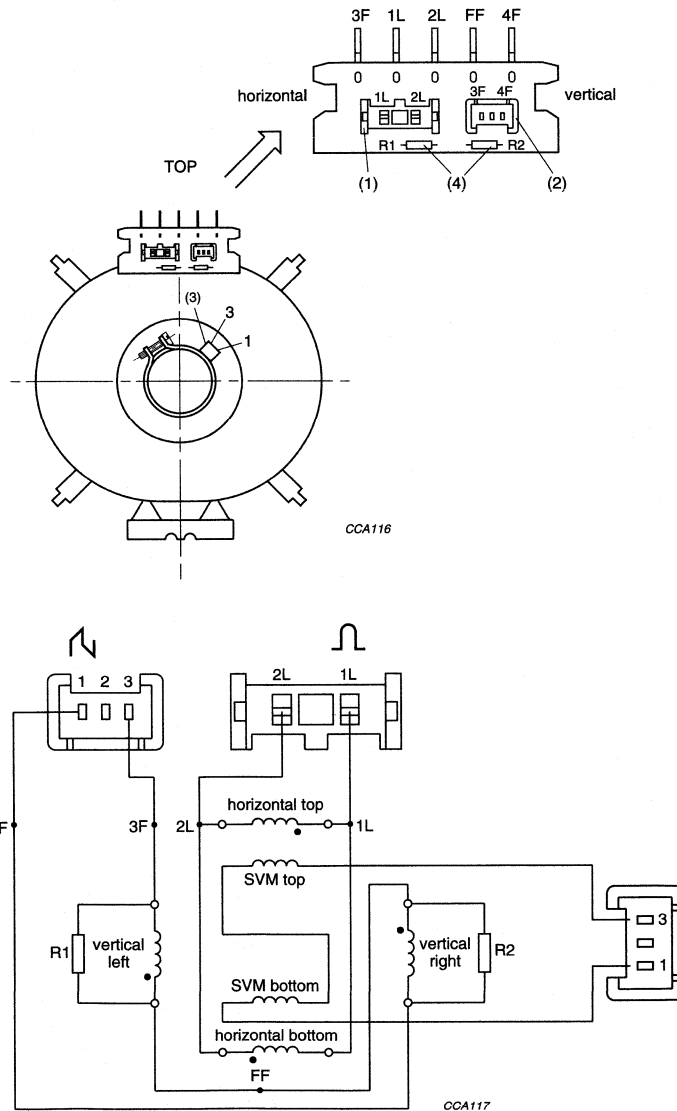
PARAMETER	CONDITIONS	MIN.	TYP.	MAX.	UNIT
Horizontal deflection coils					
Inductance		0.29	0.30	0.31	mH
Resistance	$T_{amb} = 25\text{ }^{\circ}\text{C}$	0.32	0.34	0.36	Ω
Magnetic flux		3.25	3.46	3.67	mWb
Deflection current (peak-to-peak value)	edge-to-edge; $V_a = 30\text{ kV}$	–	11.5	–	A
Average copper temperature	note 1	–	–	110	$^{\circ}\text{C}$
Temperature rise (ΔT)	$V_a = 30\text{ kV};$ $I_a = \text{short term average value}$	–	50	–	$^{\circ}\text{C}$
Vertical deflection coils					
Inductance		8.38	8.82	9.26	mH
Resistance	$T_{amb} = 25\text{ }^{\circ}\text{C}$	5.99	6.31	6.63	Ω
Vertical voltage		8.04	8.64	9.25	V
Deflection current (peak-to-peak value)	edge-to-edge; $V_a = 30\text{ kV}$	–	1.37	–	A
Average copper temperature	note 1	–	–	110	$^{\circ}\text{C}$
Temperature rise (ΔT)	$V_a = 30\text{ kV};$ $I_a = \text{short term average value}$	–	35	–	$^{\circ}\text{C}$
SVM coils					
Inductance		1.81	1.85	1.89	μH
Resistance		0.63	0.90	1.17	Ω
Sensitivity					
centre		1.56	1.63	1.70	mm/A
edge		3.28	3.45	3.62	mm/A
Deflection unit					
Permissible DC voltage					
between horizontal and vertical coils		–	–	2000	V
between horizontal and yoke ring		–	–	2000	V
between vertical coils and yoke ring		–	–	300	V
Insulation resistance	1 kV (DC)				
between horizontal and vertical coils		500	–	–	M Ω
between horizontal coil and yoke ring		500	–	–	M Ω
between vertical coil and yoke ring		10	–	–	M Ω
Cross-talk from horizontal to vertical coils	1 V; 500 Hz applied to the horizontal deflection coils	–	–	45	mV

Note

1. Measured by the resistance method.

'Black Line WSF'
colour picture tube assembly

W76ESF031X44



The beginning of the windings is indicated with •

- (1) Horizontal connector: AMP Ultrex connection system; connector 2-173270-2; matching connector 2-173268-2.
- (2) Vertical connector: Stocko system RFK1 (MKS series); matching connector MKF17033, MKF17330 or MKF17360 series.
- (3) SVM connector: Stocko system RFK1 (MKS series); matching connector MKF17033, MKF17330 or MKF17360 series.
- (4) $R1 = R2 = 100 \Omega, 0.25 \text{ W}$.

Fig.2 W76ESF031X44 deflection coils.

DATA HANDBOOK SYSTEM

DATA HANDBOOK SYSTEM

Philips Components data handbooks are available for selected product ranges and contain all relevant data available at the time of publication and each is revised and updated regularly.

Loose data sheets are sent to subscribers to keep them up-to-date on additions or alterations made during the lifetime of each edition.

Our data handbook titles are listed here.

Display components

<i>Book</i>	<i>Title</i>
DC01	Colour Television Tubes
DC02	Monochrome Monitor Tubes and Deflection Units
DC03	Television Tuners, Coaxial Aerial Input Assemblies
DC04	Colour Monitor and Multimedia Tubes
DC05	Wire Wound Components

Magnetic products

MA01	Soft Ferrites
MA03	Piezoelectric Ceramics and Specialty Ferrites
MA04	Dry-reed Switches

Passive components

PA01	Electrolytic Capacitors
PA02	Varistors, Thermistors and Sensors
PA03	Potentiometers
PA04	Variable Capacitors
PA05	Film Capacitors
PA06	Ceramic Capacitors
PA06A	Surface Mounted Ceramic Multilayer Capacitors
PA08	Fixed Resistors
PA10	Quartz Crystals
PA11	Quartz Oscillators

MORE INFORMATION FROM PHILIPS COMPONENTS?

For more information about Philips Components data handbooks, catalogues and subscriptions, please contact your nearest Philips Components sales organization **(see address list on the back cover of this handbook).**

OVERVIEW OF PHILIPS SEMICONDUCTORS DATA HANDBOOKS

Our sister product division, Philips Semiconductors, also has a comprehensive data handbook system to support their products. Their data handbook titles are listed here.

Integrated circuits

<i>Book</i>	<i>Title</i>
IC01	Semiconductors for Radio and Audio Systems
IC02	Semiconductors for Television and Video Systems
IC03	Semiconductors for Wired Telecom Systems
IC04	HE4000B Logic Family CMOS
IC05	Advanced Low-power Schottky (ALS) Logic
IC06	High-speed CMOS Logic Family
IC11	General-purpose/Linear ICs
IC12	I ² C Peripherals
IC13	Programmable Logic Devices (PLD)
IC14	8048-based 8-bit Microcontrollers
IC15	FAST TTL Logic Series
IC16	CMOS ICs for Clocks and Watches
IC17	Semiconductors for Wireless Communications
IC18	Semiconductors for In-Car Electronics
IC19	ICs for Data Communications
IC20	80C51-based 8-bit Microcontrollers
IC22	Multimedia ICs
IC23	BiCMOS Bus Interface Logic
IC24	Low Voltage CMOS & BiCMOS Logic
IC25	16-bit 80C51XA Microcontrollers (eXtended Architecture)
IC26	IC Package Databook
IC27	Complex Programmable Logic Devices

Discrete semiconductors

SC01	Small-signal and Medium-power Diodes
SC02	Power Diodes
SC03	Thyristors and Triacs
SC04	Small-signal Transistors
SC05	Video Transistors and Modules for Monitors
SC06	High-voltage and Switching NPN Power Transistors
SC07	Small-signal Field-effect Transistors
SC08a	RF Power Transistors for HF and VHF
SC08b	RF Power Transistors for UHF
SC09	RF Power Modules and Transistors for Mobile Phones
SC13a	PowerMOS Transistors including TOPFETs and IGBTs
SC13b	Small-signal and Medium-power MOS Transistors
SC14	RF Wideband Transistors
SC15	Microwave Transistors (new version planned)
SC16	Wideband Hybrid IC Modules
SC17	Semiconductor Sensors

Professional components

PC06 Circulators and Isolators

MORE INFORMATION FROM PHILIPS SEMICONDUCTORS?

For more information contact your nearest Philips Semiconductors national organization shown in the following list.

Argentina: see South America
Australia: NORTH RYDE, Tel. +61 2 9805 4455 Fax. +61 2 9805 4466
Austria: WIEN, Tel. +43 1 60 101, Fax. +43 1 60 101 1210
Belarus: MINSK, Tel. +375 172 200 733, Fax. +375 172 200 773
Belgium: see The Netherlands
Brazil: see South America
Bulgaria: SOFIA, Tel. +359 2 689 211, Fax. +359 2 689 102
Canada: SCARBOROUGH, Tel. +1 800 234 7381
Chile: see South America
China/Hong Kong: HONG KONG, Tel. +852 2319 7888, Fax. +852 2319 7700
Colombia: see South America
Czech Republic: see Austria
Denmark: COPENHAGEN, Tel. +45 32 88 2636, Fax. +45 31 57 0044
Finland: ESPOO, Tel. +358 9 615800, Fax. +358 9 61580920
France: SURESNES, Tel. +33 1 40 99 6161, Fax. +33 1 40 99 6427
Germany: HAMBURG, Tel. +49 40 23 53 60, Fax. +49 40 23 536 300
Greece: TAVROS/ATHENS, Tel. +30 1 4894 339/239, Fax. +30 1 4814 240
Hungary: see Austria
India: BOMBAY, Tel. +91 22 4938 541, Fax. +91 22 4938 722
Indonesia: see Singapore
Ireland: DUBLIN, Tel. +353 1 7640 000, Fax. +353 1 7640 200
Israel: TEL AVIV, Tel. +972 3 645 0444, Fax. +972 3 649 1007
Italy: MILANO, Tel. +39 2 6752 2531, Fax. +39 2 6752 2557
Japan: TOKIO, Tel. +81 3 3740 5130, Fax. +81 3 3740 5077
Korea: SEOUL, Tel. +82 2 709 1412, Fax. +82 2 709 1415
Malaysia: SELANGOR, Tel. +60 3 750 5214, Fax. +60 3 757 4880
Mexico: EL PASO, TEXAS, Tel. +9-5 800 234 7381
Middle East: see Italy
Netherlands: EINDHOVEN, Tel. +31 40 27 82785, Fax. +31 40 27 88399
New Zealand: AUCKLAND, Tel. +64 9 849 4160, Fax. +64 9 849 7811
Norway: OSLO, Tel. +47 22 74 8000, Fax. +47 22 74 8341
Philippines: MANILA, Tel. +63 2 816 6380, Fax. +63 2 817 3474
Poland: WARSZAWA, Tel. +48 22 612 2831, Fax. +48 22 612 2327
Portugal: see Spain
Romania: see Italy
Russia: MOSCOW, Tel. +7 095 755 6918, Fax. +7 095 755 6919
Singapore: SINGAPORE, Tel. +65 350 2538, Fax. +65 251 6500
Slovakia: see Austria
Slovenia: see Italy
South Africa: JOHANNESBURG, Tel. +27 11 470 5911, Fax. +27 11 470 5494
South America: SÃO PAULO, Tel. +55 11 821 2333, Fax. +55 11 829 1849
Spain: BARCELONA, Tel. +34 3 301 6312, Fax. +34 3 301 4107
Sweden: STOCKHOLM, Tel. +46 8 632 2000, Fax. +46 8 632 2745
Switzerland: ZÜRICH, Tel. +41 1 488 2686, Fax. +41 1 481 7730
Taiwan: TAIPEI, Tel. +886 2 2134 2865, Fax. +886 2 2134 2874
Thailand: BANGKOK, Tel. +66 2 745 4090, Fax. +66 2 398 0793
Turkey: ISTANBUL, Tel. +90 212 279 2770, Fax. +90 212 282 6707
Ukraine: KIEV, Tel. +380 44 264 2776, Fax. +380 44 268 0461
United Kingdom: HAYES, Tel. +44 181 730 5000, Fax. +44 181 754 8421
United States: SUNNYVALE, Tel. +1 800 234 7381
Uruguay: see South America
Vietnam: see Singapore
Yugoslavia: BEOGRAD, Tel. +381 11 625 344, Fax. +381 11 635 777

Internet: <http://www.semiconductors.philips.com>

For all other countries apply to:

Philips Semiconductors,
 Marketing & Sales Communications, Building BE-p,
 P.O. Box 218, 5600 MD EINDHOVEN, The Netherlands,
 Fax. +31-40-2724825

NOTES

NOTES

NOTES

Philips Components – a worldwide company

Australia: Philips Components Pty Ltd, NORTH RYDE,
Tel. (02) 9805 4455, Fax. (02) 9805 4466.

Austria: Österreichische Philips Industrie GmbH, WIEN,
Tel. (01) 601 01 12 41, Fax. (01) 60 101 12 11.

Belarus: Philips Office Belarus, MINSK,
Tel. (5172) 200 924/733, Fax. (5172) 200 773.

Benelux: Philips Nederland B.V., EINDHOVEN, NL.,
Tel. (+31 40) 2783 749, Fax. (+31 40) 2788 399.

Brazil: Philips Components, SÃO PAULO,
Tel. (011) 821 2333, Fax. (011) 829 1849.

Canada: Philips Electronics Ltd., SCARBOROUGH,
Tel. (0416) 292 5161, Fax. (0416) 754 6248.

China: Philips Company, SHANGHAI,
Tel. (021) 6485 0600, Fax. (021) 6485 5615.

Denmark: Philips Components A/S, COPENHAGEN S,
Tel. (32) 883 333, Fax. (31) 571 949.

Finland: Philips Components, ESPOO,
Tel. (0) 9 615 800, Fax. (0) 9 615 80510.

France: Philips Composants, SURESNES,
Tel. (01) 4099 6161, Fax. (01) 4099 6493.

Germany: Philips Components GmbH, HAMBURG,
Tel. (040) 2489-0, Fax. (040) 2489 1400.

Greece: Philips Hellas S.A., TAVROS,
Tel. (01) 4894 339/(01) 4894 239, Fax. (01) 4814 240.

Hong Kong: Philips Hong Kong, KOWLOON,
Tel. 2784 3000, Fax. 2784 3003.

India: Philips India Ltd., MUMBAI,
Tel. (022) 4930 311, Fax. (022) 4930 966/4950 304.

Indonesia: P.T. Philips Development Corp., JAKARTA,
Tel. (021) 794 0040, Fax. (021) 794 0080.

Ireland: Philips Electronics (Ireland) Ltd., DUBLIN,
Tel. (01) 76 40 203, Fax. (01) 76 40 210.

Israel: Rapac Electronics Ltd., TEL AVIV,
Tel. (03) 6450 444, Fax. (03) 6491 007.

Italy: Philips Components S.r.l., MILANO,
Tel. (02) 6752 2531, Fax. (02) 6752 2557.

Japan: Philips Japan Ltd., TOKYO,
Tel. (0) 3 3740 5135, Fax. (0) 3 3740 5035.

Korea (Republic of): Philips Electronics (Korea) Ltd., SEOUL,
Tel. (02) 709 1472, Fax. (02) 709 1480.

Malaysia: Philips Malaysia SDN Berhad
Components Division, PULAU PINANG,
Tel. (03) 750 5213, Fax. (03) 757 4880.

Mexico: Philips Components, EL PASO, U.S.A.,
Tel. (915) 772 4020, Fax. (915) 772 4332.

New Zealand: Philips New Zealand Ltd., AUCKLAND,
Tel. (09) 815 4000, Fax. (09) 849 7811.

Norway: Norsk A/S Philips, OSLO,
Tel. (22) 74 8000, Fax. (22) 74 8341.

Pakistan: Philips Electrical Industries of Pakistan Ltd., KARACHI,
Tel. (021) 587 4641-49, Fax. (021) 577 035/587 4546.

Philippines: Philips Semiconductors Philippines Inc.,
METRO MANILA, Tel. (02) 816 6345, Fax. (02) 817 3474.

Poland: Philips Poland Sp. z.o.o., WARSZAWA,
Tel. (022) 612 2594, Fax. (022) 612 2327.

Portugal: Philips Portuguesa S.A.,
Philips Components: LINDA-A-VELHA,
Tel. (01) 416 3160/416 3333, Fax. (01) 416 3174/416 3366.

Russia: Philips Russia, MOSCOW,
Tel. (095) 755 6918, Fax. (095) 755 6919.

Singapore: Philips Singapore Pte Ltd., SINGAPORE,
Tel. 350 2000, Fax. 355 1758.

South Africa: S.A. Philips Pty Ltd., JOHANNESBURG,
Tel. (011) 470 5911, Fax. (011) 470 5494.

Spain: Philips Components, BARCELONA,
Tel. (93) 301 63 12, Fax. (93) 301 42 43.

Sweden: Philips Components AB, STOCKHOLM,
Tel. (+46) 8 632 2000, Fax. (+46) 8 632 2745.

Switzerland: Philips Components AG, ZÜRICH,
Tel. (01) 488 22 11, Fax. (01) 481 77 30.

Taiwan: Philips Taiwan Ltd., TAIPEI,
Tel. (02) 2134 2900, Fax. (02) 2134 2929.

Thailand: Philips Electronics (Thailand) Ltd., BANGKOK,
Tel. (02) 745 4090, Fax. (02) 398 0793.

Turkey: Türk Philips Ticaret A.S., GÜLTEPE/ISTANBUL,
Tel. (0212) 279 2770, Fax. (0212) 282 6707.

United Kingdom: Philips Components Ltd., DORKING,
Tel. (01306) 512 000, Fax. (01306) 512 345.

United States:

• Display and Wire Wound Components, ANN ARBOR, MI,
Tel. (313) 996 9400, Fax. (313) 761 2776.

• Magnetic Products, SAUGERTIES, NY,
Tel. (914) 246 2811, Fax. (914) 246 0487.

• Passive Components, JUPITER, FL,
Tel. (561) 745 3300, Fax. (561) 745 3600.
For literature: (800) 447 3762.

Yugoslavia (Federal Republic of): Philips Components, BELGRADE,
Tel. (0) 11 625 344/373, Fax. (0) 11 635 777.

For all other countries apply to: Philips Components,
Marketing Communications, P.O. Box 218, 5600 MD EINDHOVEN,
The Netherlands, Fax. +31-40-2724 547.

COD13

© Philips Electronics N.V. 1997

All rights are reserved. Reproduction in whole or in part is prohibited without the prior written consent of the copyright owner.

The information presented in this document does not form part of any quotation or contract, is believed to be accurate and reliable and may be changed without notice. No liability will be accepted by the publisher for any consequence of its use. Publication thereof does not convey nor imply any license under patent- or other industrial or intellectual property rights.

Printed in The Netherlands

530710/3000/02/pp576
Document order number:

Date of release: July 1997
9398 184 13011

Philips
Components



Let's make things better.
PHILIPS